

[54] LUMINAIRE

[75] Inventors: James E. Denney; Robert L. Ewing; Douglas S. Hammond, all of Newark, Ohio

[73] Assignee: Holophane Company, Inc., Newark, Ohio

[**] Term: 14 Years

[21] Appl. No.: 7,887

[22] Filed: Jan. 28, 1987

[52] U.S. Cl. D26/63

[58] Field of Search D26/67-71, D26/60-66; 362/431, 432, 362, 363, 310, 267, 269, 275, 287, 418, 419, 427, 428

[56] References Cited

U.S. PATENT DOCUMENTS

D. 205,084 6/1966 Izzi D26/71

D. 239,047	3/1976	Asaki	D26/71 X
D. 239,861	5/1976	Van Steenhoven	D26/71
4,019,044	4/1977	Kelley et al.	362/362 X
4,488,205	12/1984	Quiogue	362/362 X
4,626,975	12/1986	Miletech	362/418

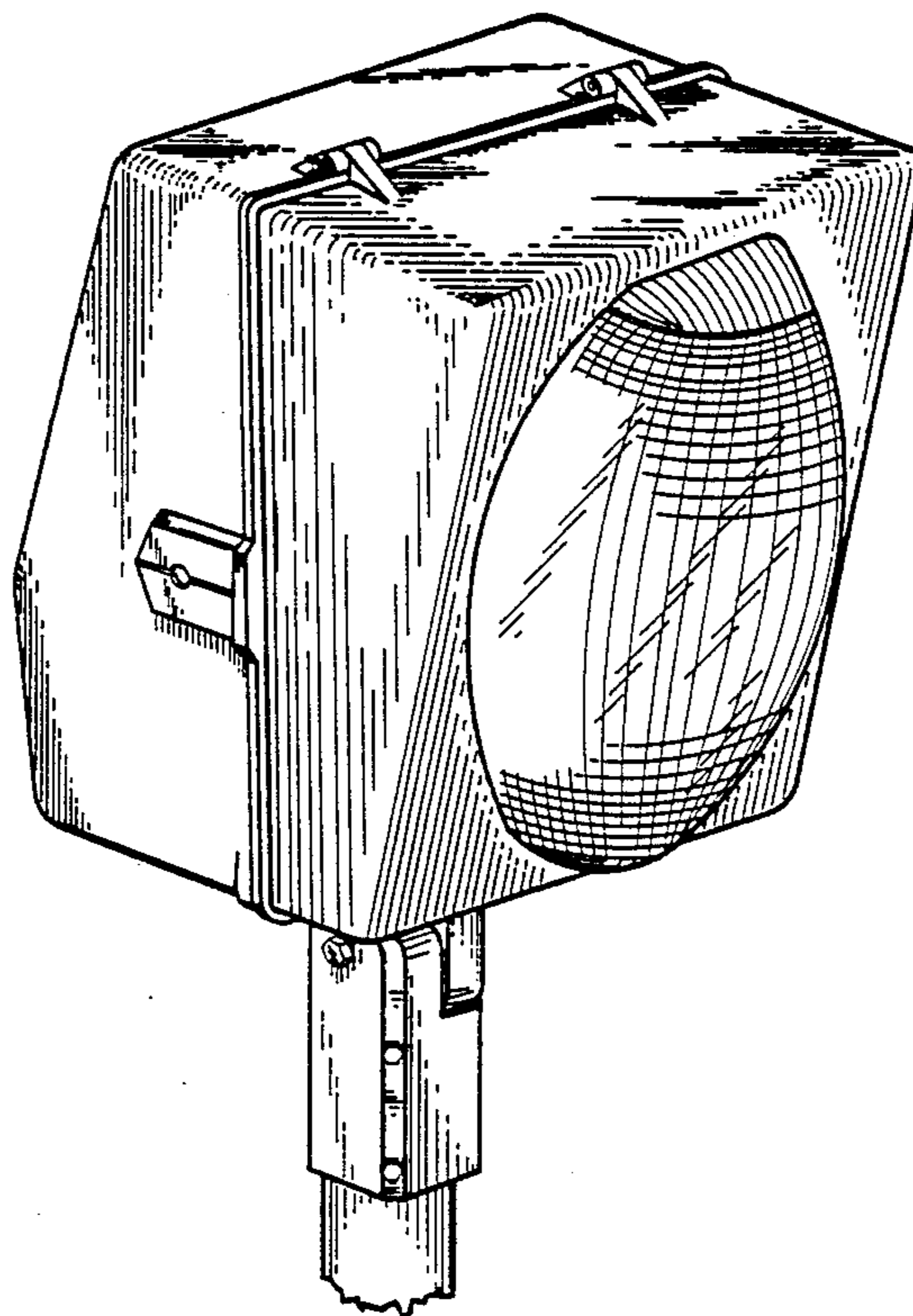
Primary Examiner—Susan J. Lucas
Attorney, Agent, or Firm—Cornelius P. Quinn

[57] CLAIM

The ornamental design for a luminaire, as shown and described.

DESCRIPTION

FIG. 1 is a perspective view of a luminaire showing our new design;
FIG. 2 is a left side elevational view thereof;
FIG. 3 is a front view thereof;
FIG. 4 is a rear elevational view thereof;
FIG. 5 is a right side elevational view thereof;
FIG. 6 is a top plan view thereof; and
FIG. 7 is a bottom plan view thereof.



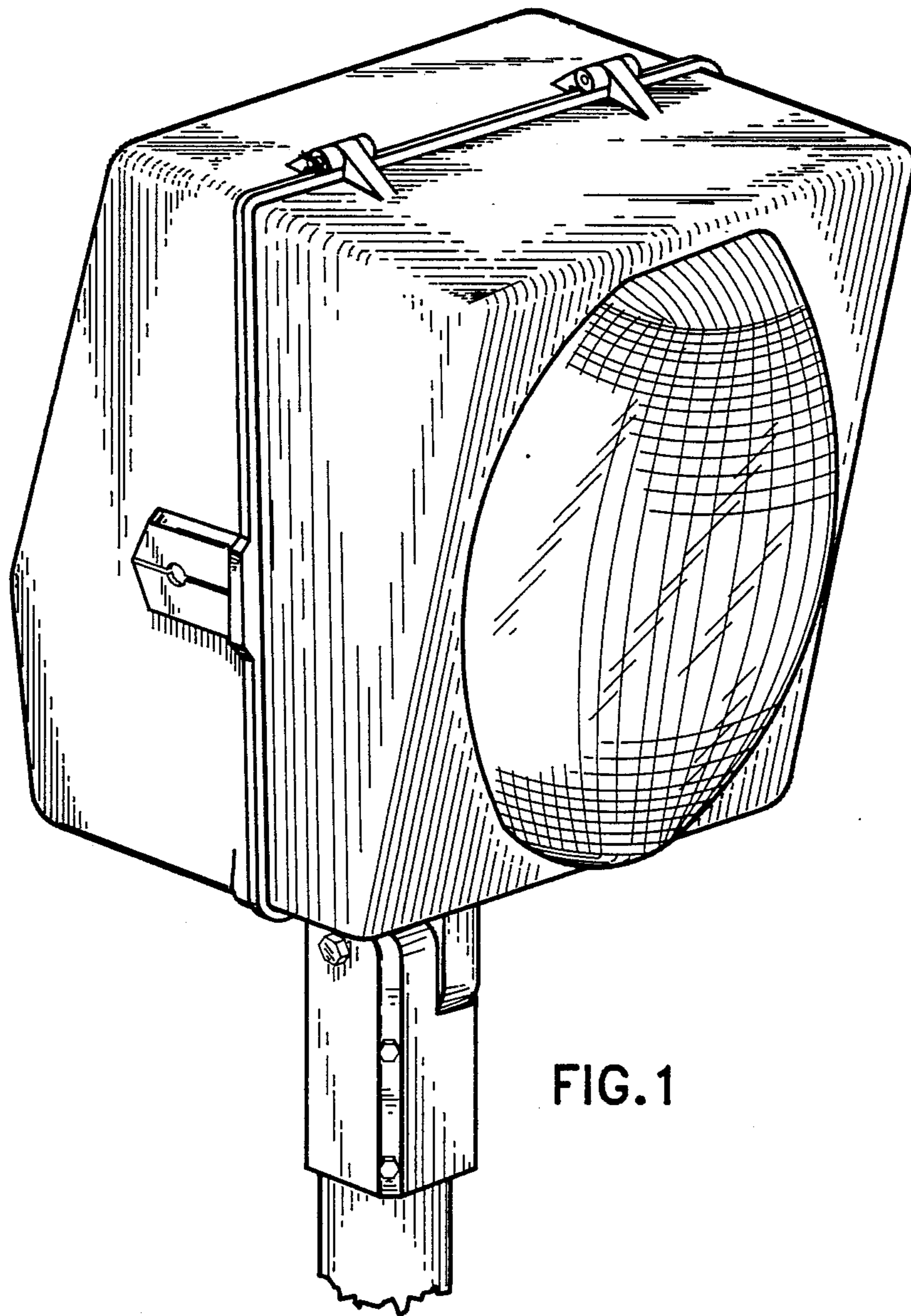


FIG. 1

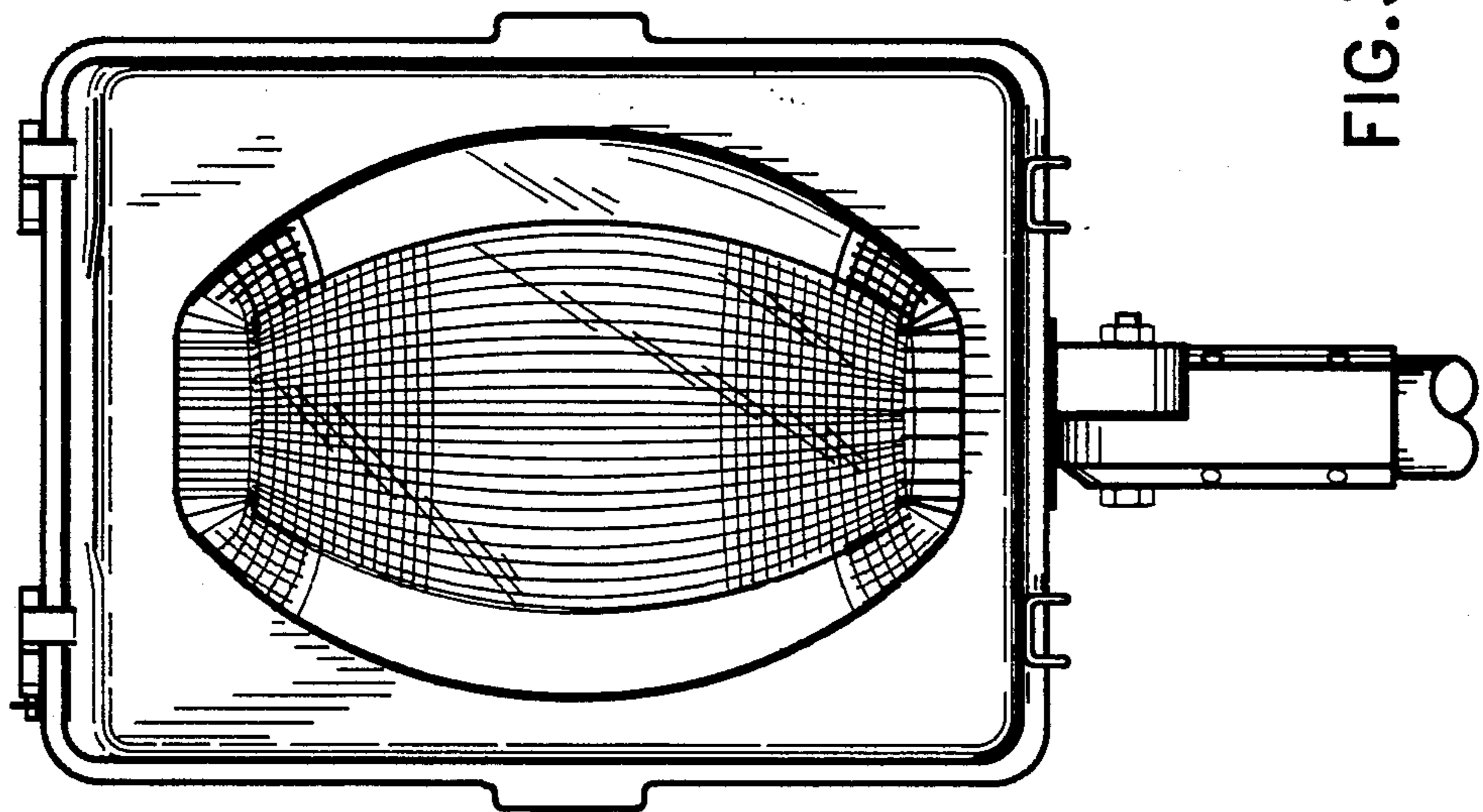


FIG. 3

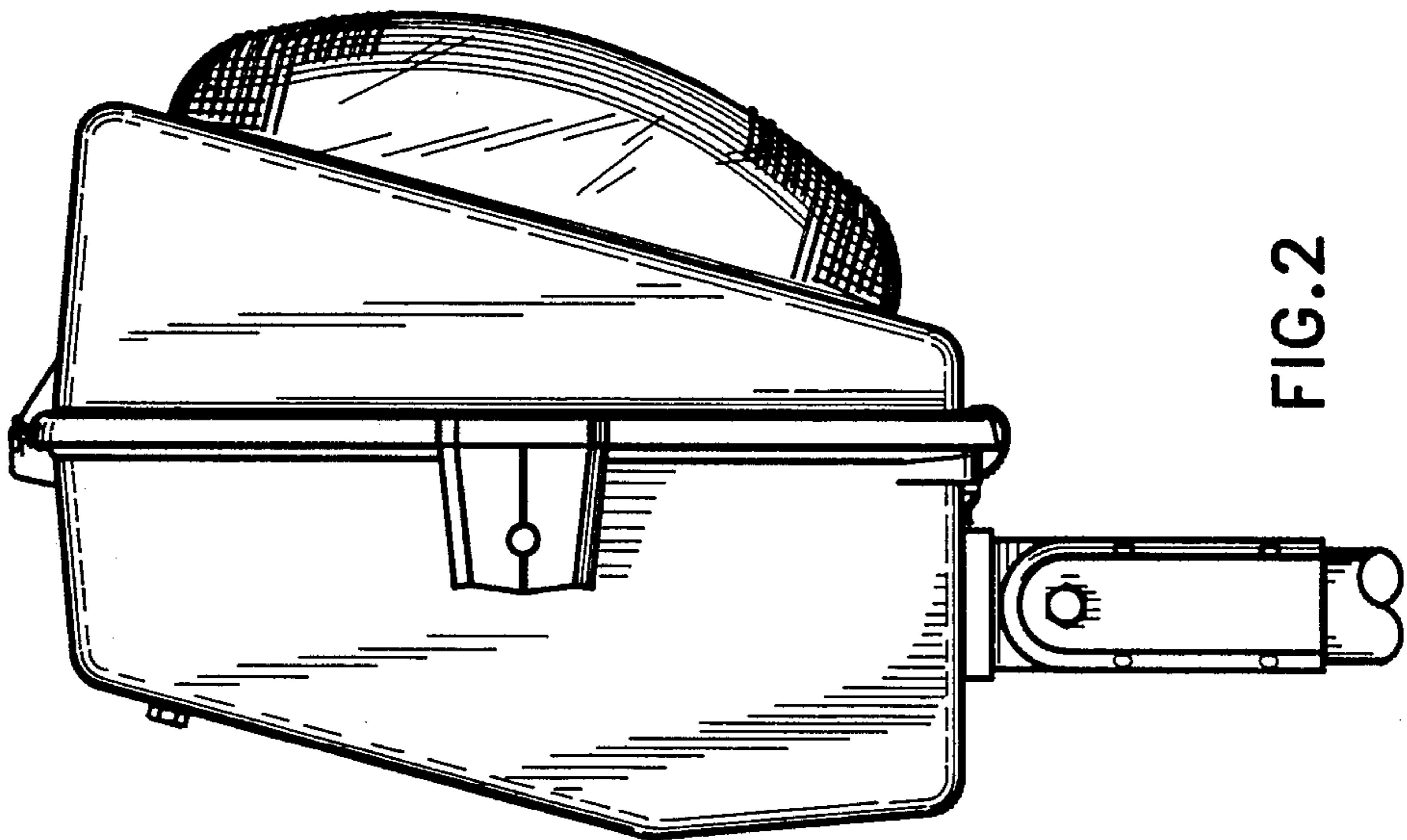


FIG. 2

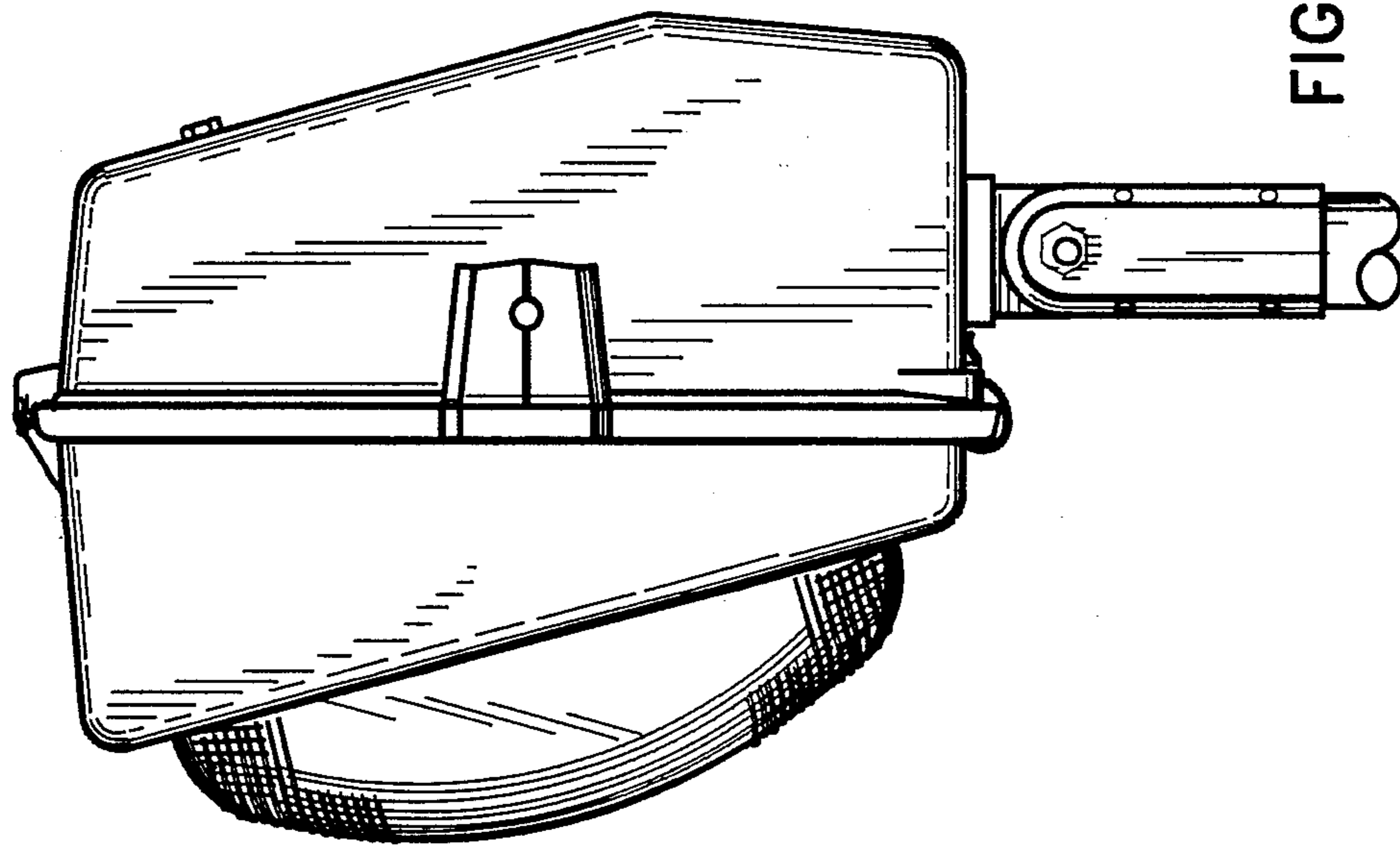


FIG. 5

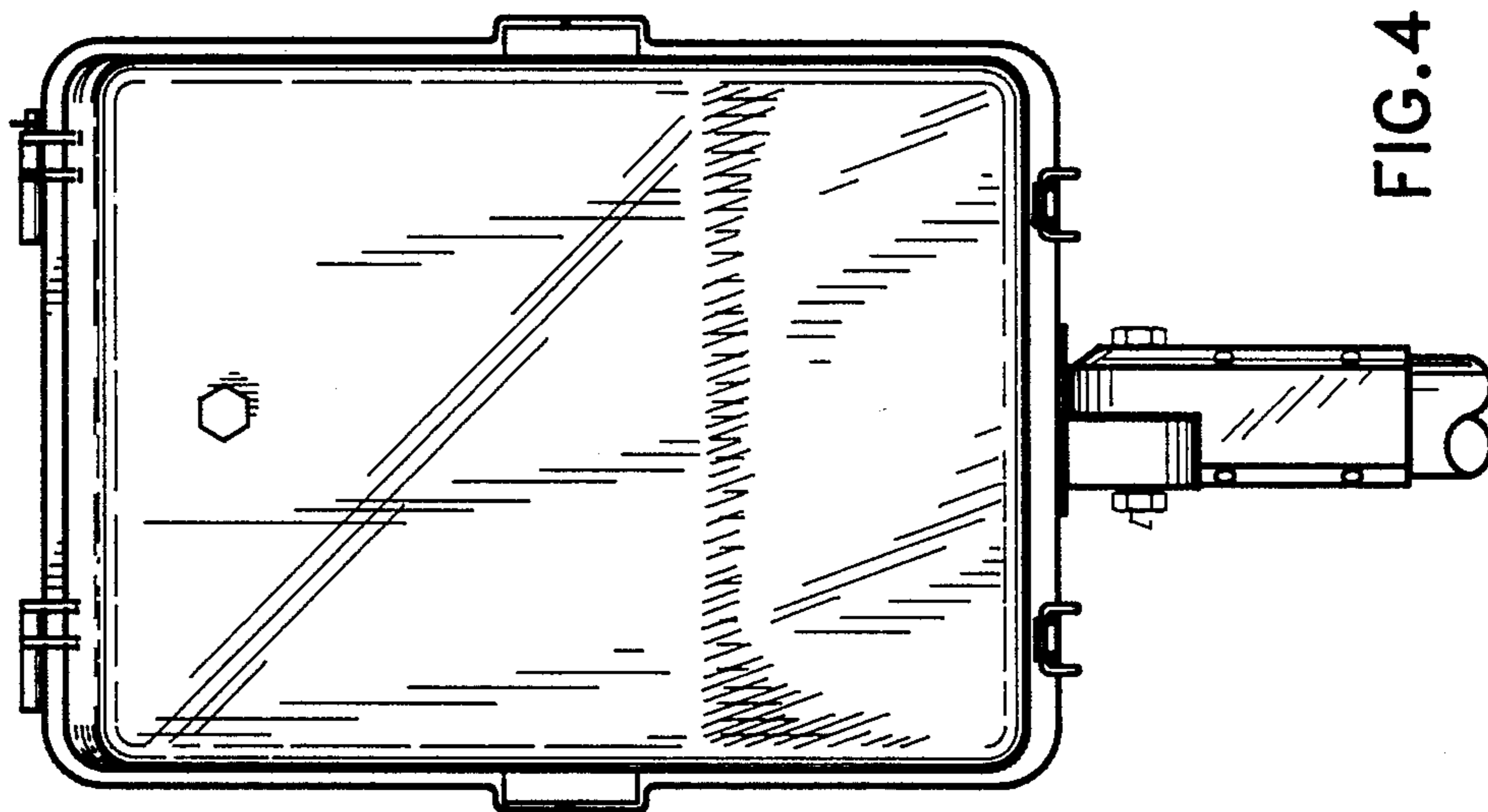


FIG. 4

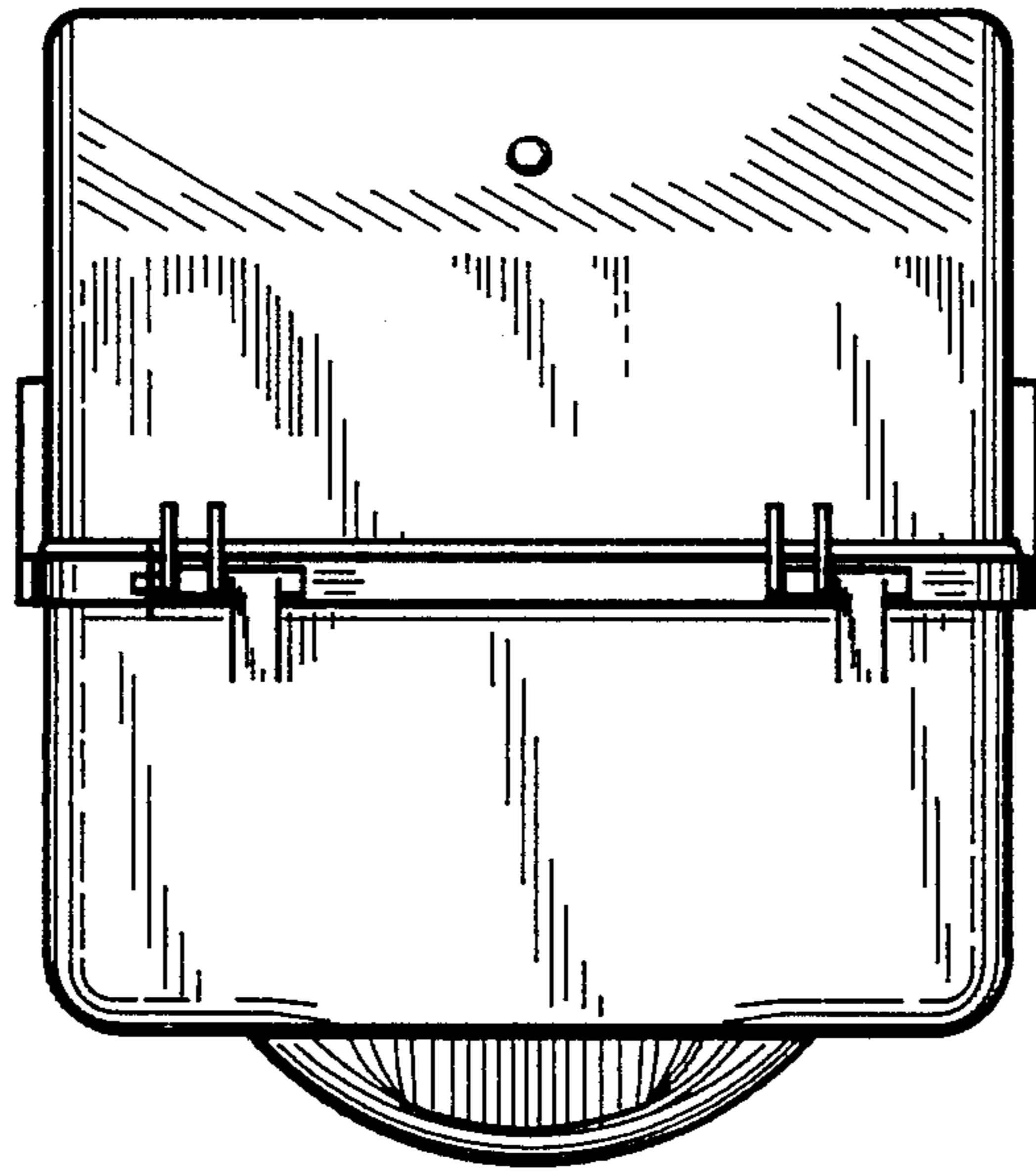


FIG. 6

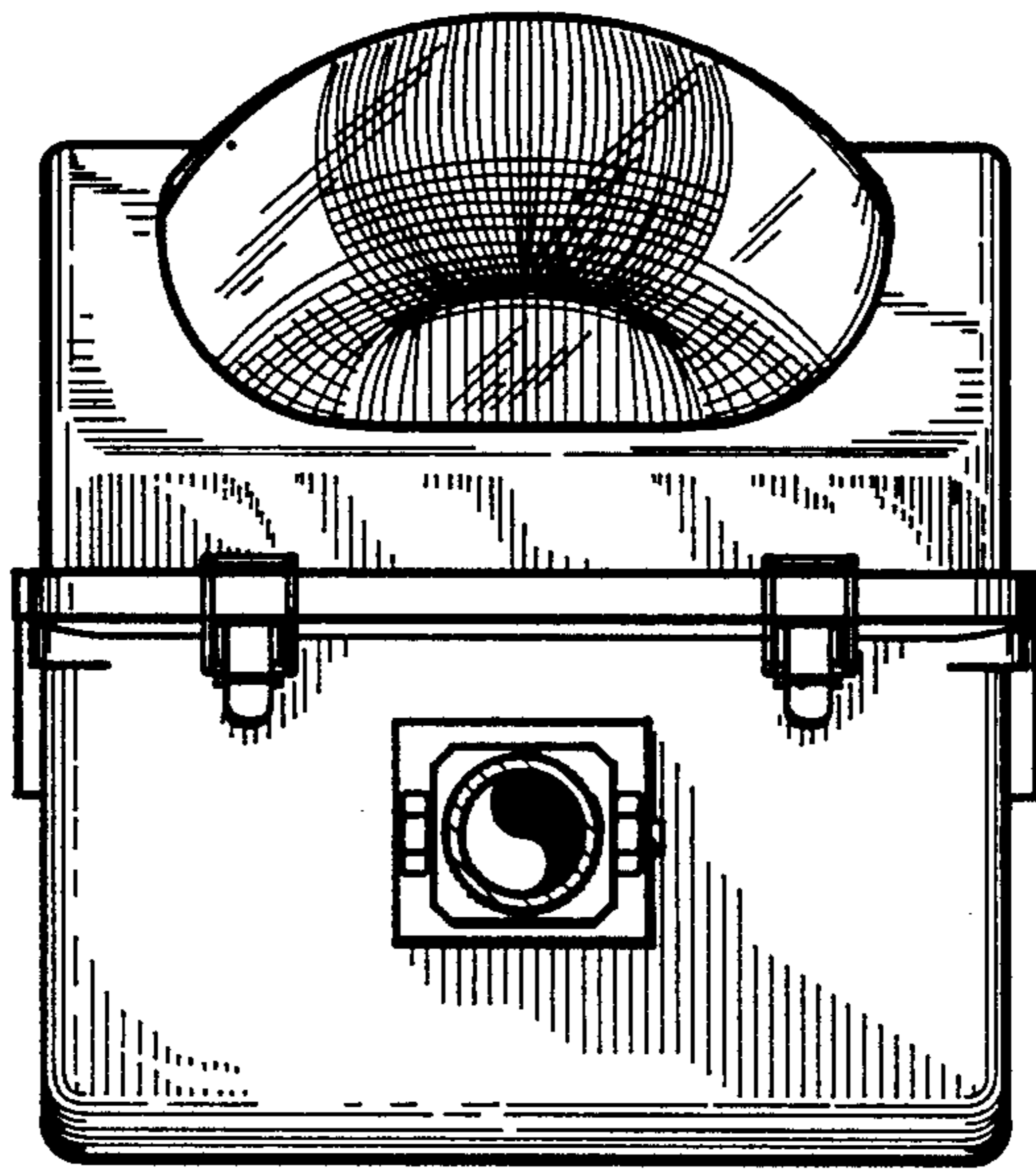


FIG. 7