

[54] WORK PLATFORM FOR EXTENSION LADDERS

[76] Inventor: Bernard Schaf, 2754 Fairlane Ave., Columbus, Nebr. 68601

[**] Term: 14 Years

[21] Appl. No.: 240,046

[22] Filed: Sep. 2, 1988

[52] U.S. Cl. D25/68

[58] Field of Search D25/62, 64, 68, 66; 182/56, 101, 102, 115, 116, 141, 157, 222

[56] References Cited

U.S. PATENT DOCUMENTS

1,494,107	5/1924	Faulkner	182/116
2,641,511	6/1953	McClure	182/229
2,732,264	1/1956	Smith et al.	182/214

2,806,642 9/1957 Miele 182/214

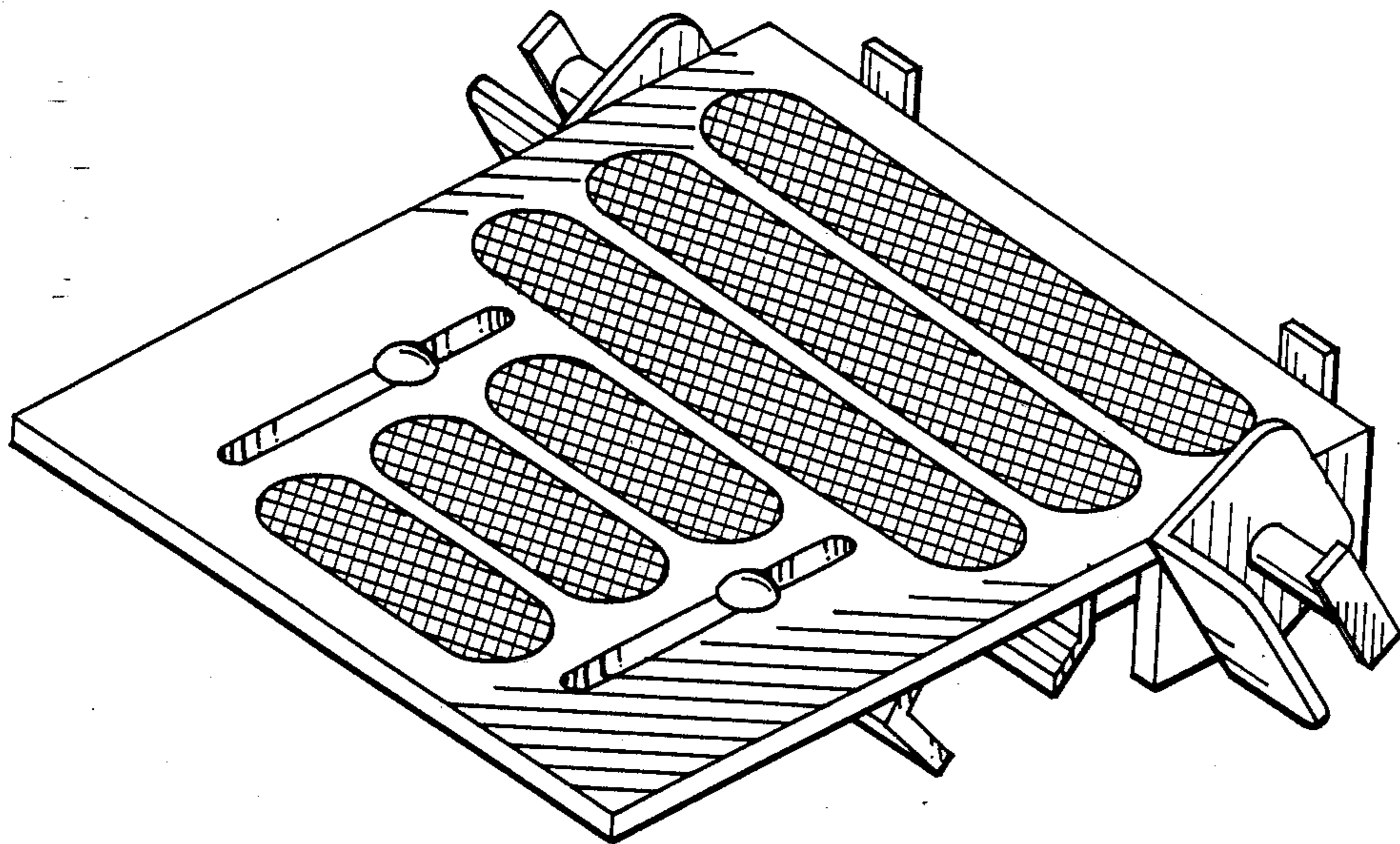
Primary Examiner—A. Hugo Word
Assistant Examiner—Doris Clark
Attorney, Agent, or Firm—Jerry T. Kearns

[57] CLAIM

The ornamental design for a work platform for extension ladders, as shown and described.

DESCRIPTION

FIG. 1 is a front elevational view of a work platform for extension ladders showing my new design; FIG. 2 is a rear elevational view thereof; FIG. 3 is a left side elevational view thereof; FIG. 4 is a right side elevational view thereof; FIG. 5 is a top plan view thereof; FIG. 6 is a bottom plan view thereof; and, FIG. 7 is a perspective view thereof.



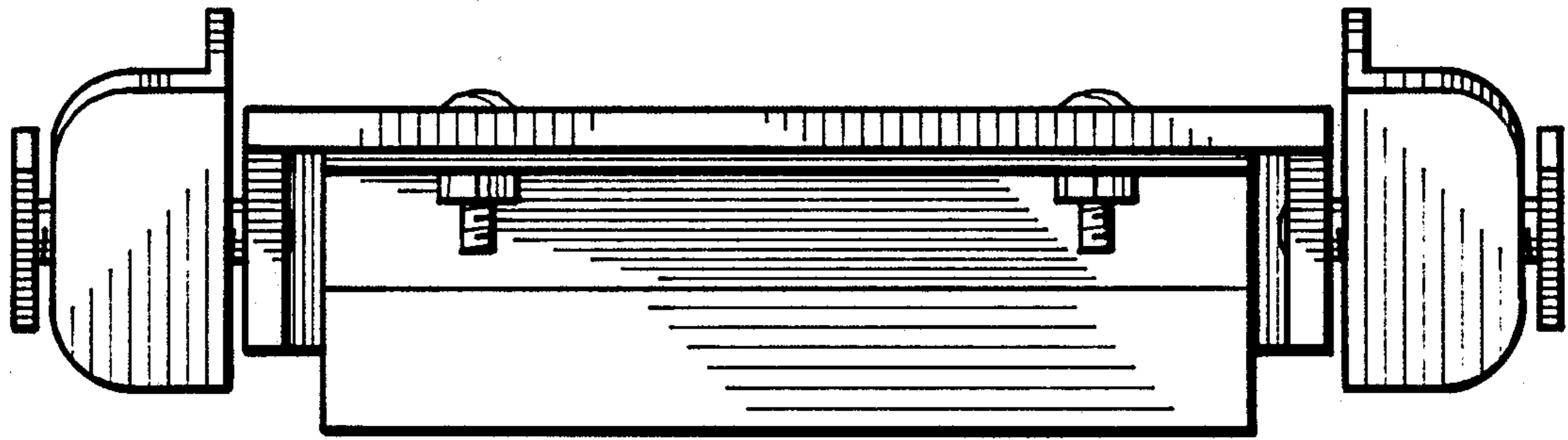


Fig. 1

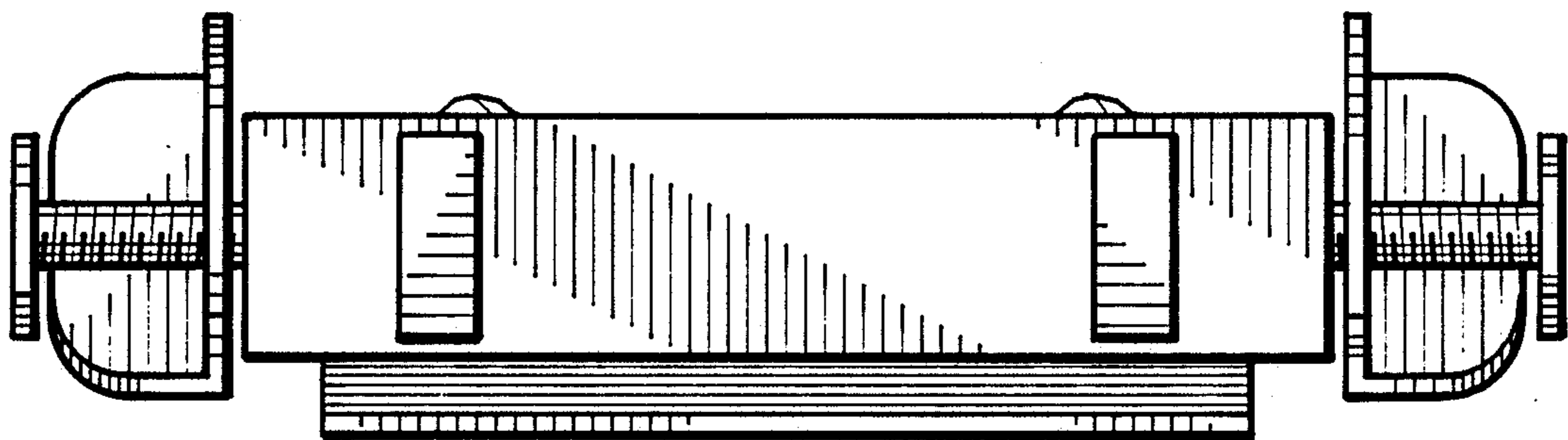


Fig. 2

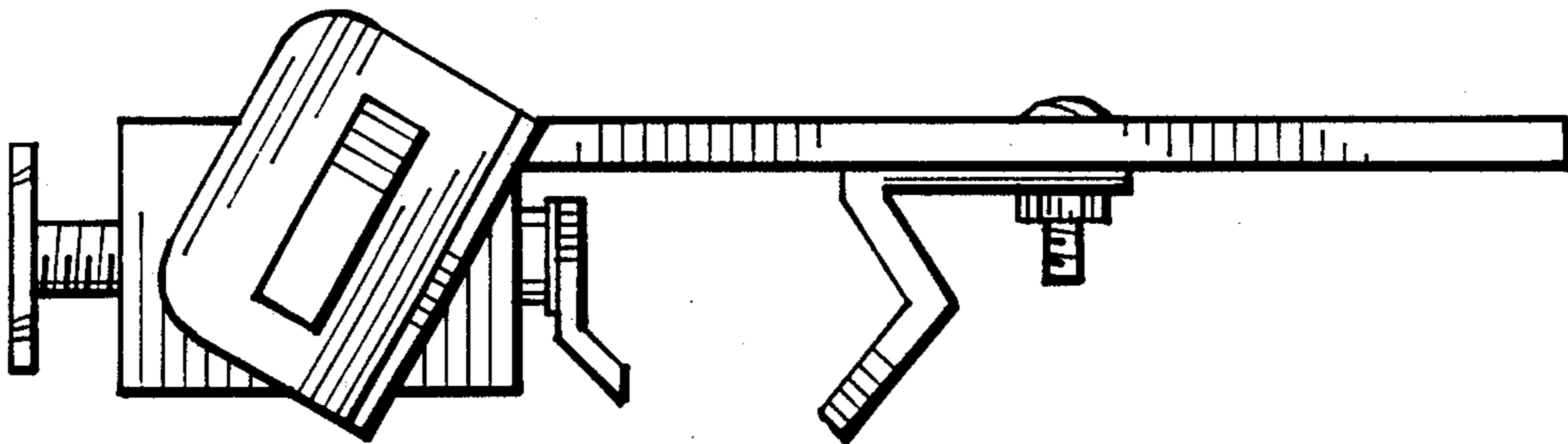


Fig. 3

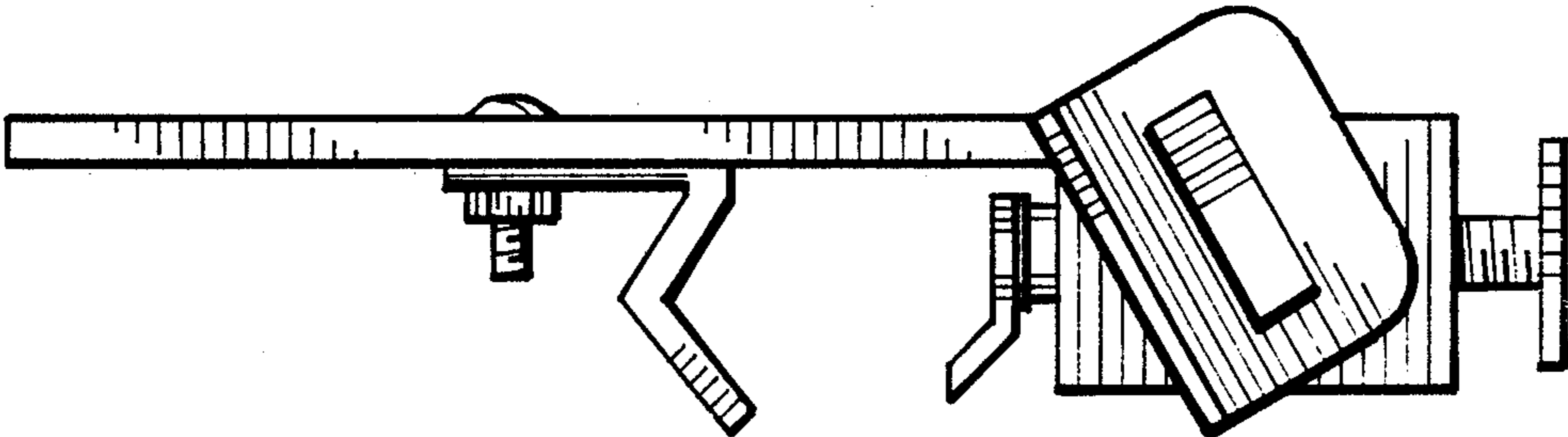


Fig. 4

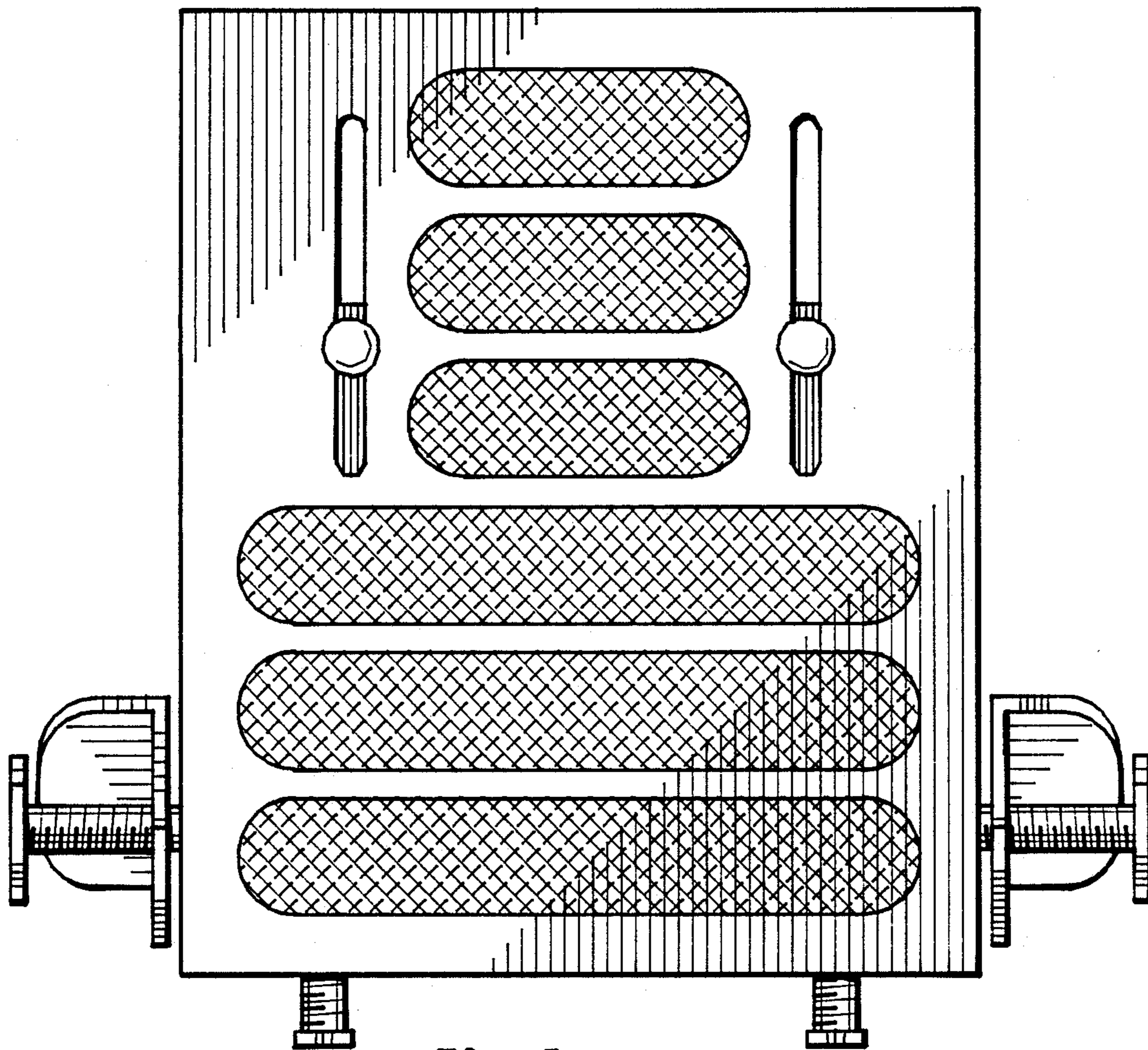


Fig. 5

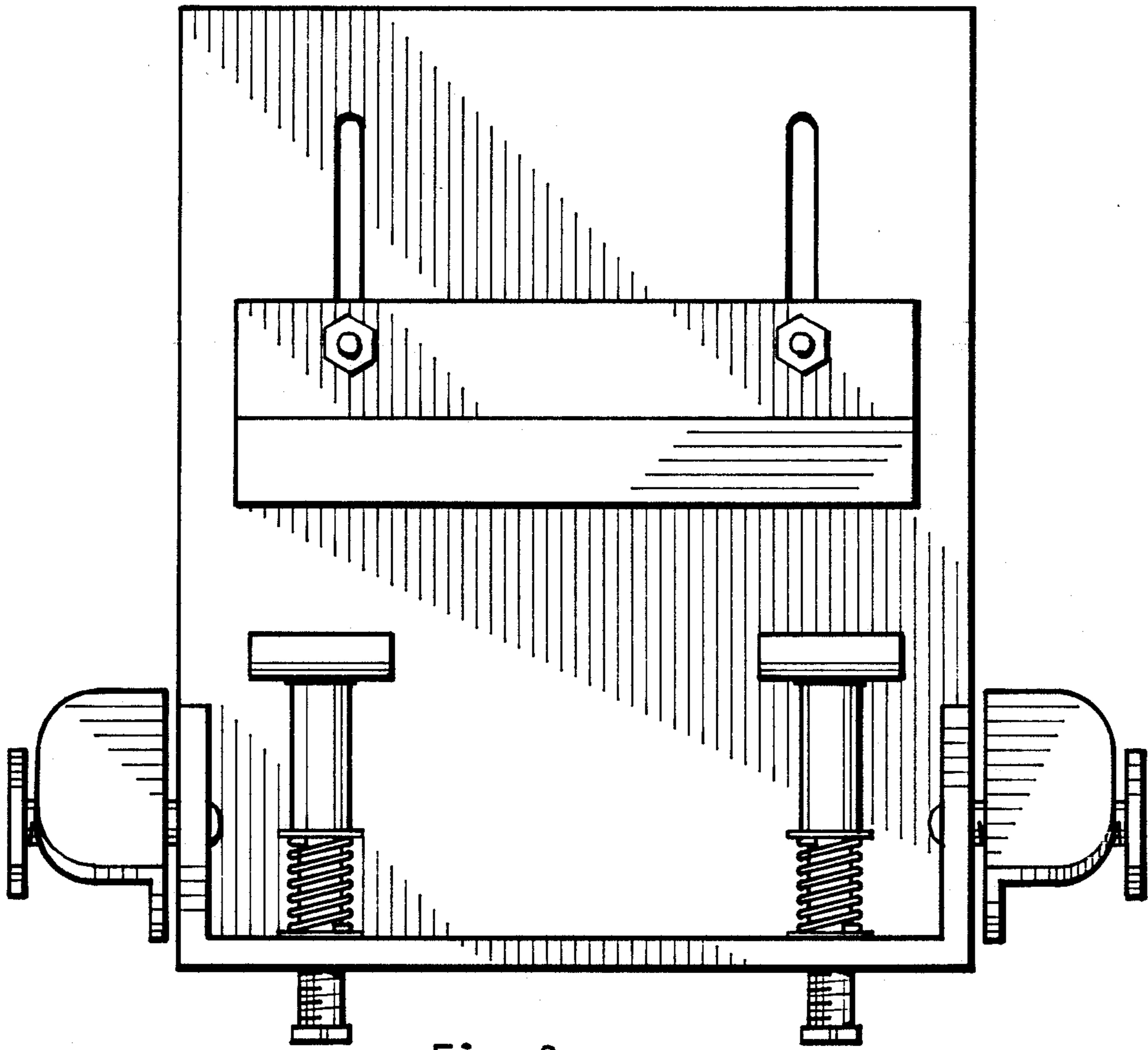


Fig. 6

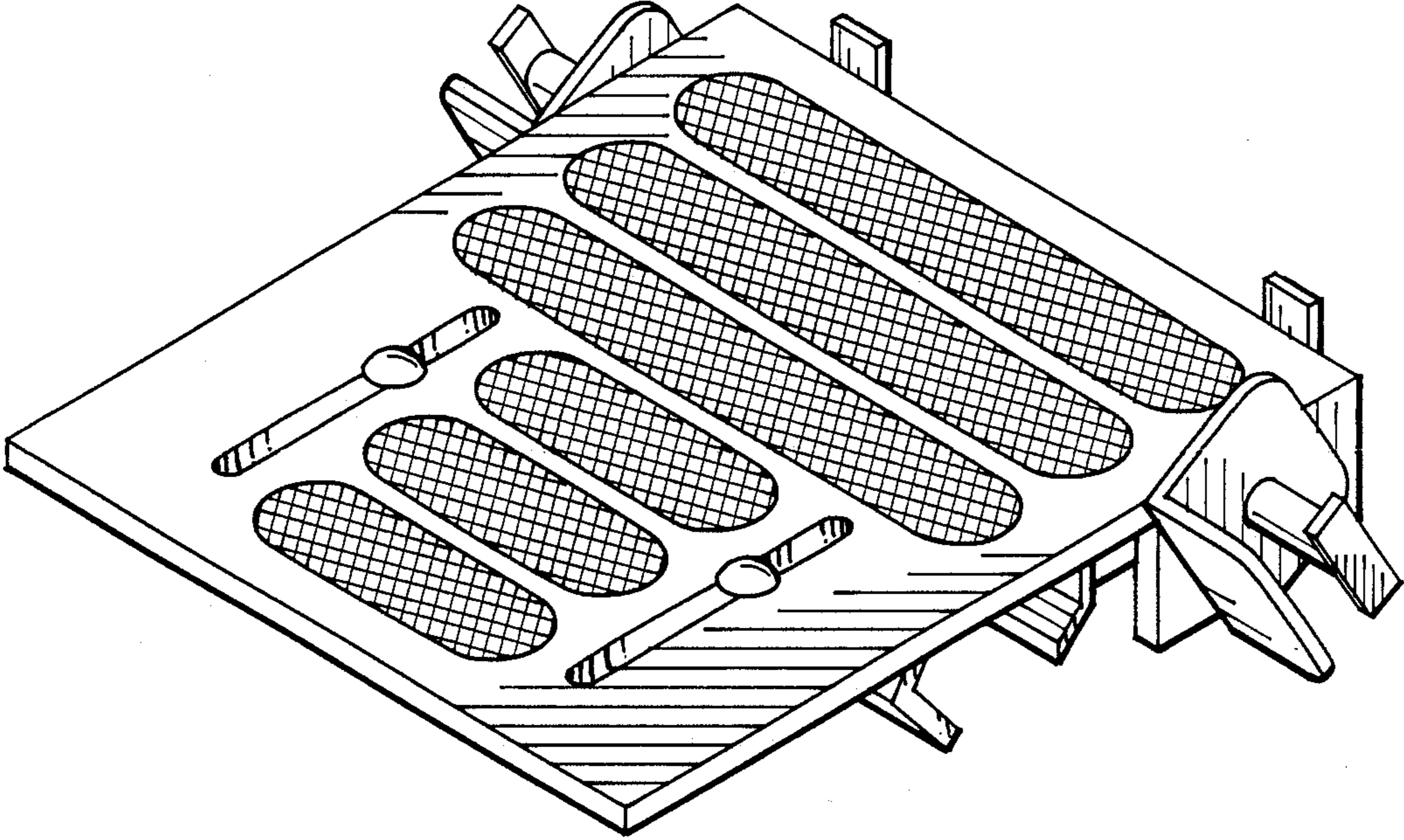


Fig. 7