

# United States Patent [19]

Rogers et al.

[11] Patent Number: **Des. 307,186**

[45] Date of Patent: **\*\* Apr. 10, 1990**

[54] **FOLDING STAGE RISER**

4,011,695 3/1977 Simmons, Sr. .... 52/690

[75] Inventors: **Orley D. Rogers, Farwell; Kenneth E. Staten, Clare, both of Mich.**

*Primary Examiner*—Wallace R. Burke  
*Assistant Examiner*—Doris Clark  
*Attorney, Agent, or Firm*—Barnes, Kisselle, Raisch, Choate, Whittemore & Hulbert

[73] Assignee: **Stageright Corporation, Clare, Mich.**

[\*\*] Term: **14 Years**

[57] **CLAIM**

[21] Appl. No.: **117,312**

The ornamental design for a folding stage riser, as shown.

[22] Filed: **Nov. 6, 1987**

[52] U.S. Cl. .... **D25/62**

[58] Field of Search ..... D25/62, 63, 65, 66, D25/68, 69; 52/690, 694, 8, 9; 182/113, 152, 159

## DESCRIPTION

FIG. 1 is a rear elevational view of a folding stage riser for choral groups and the like, showing our new design; FIG. 2 is a right end elevational view of the riser; FIG. 3 is a right end elevational view of the riser shown in collapsed position; FIG. 4 is a front elevational view of the riser; FIG. 5 is a top plan view of riser; FIG. 6 is a left end elevational view of the riser; and FIG. 7 is a bottom plan view of the riser.

[56] **References Cited**

### U.S. PATENT DOCUMENTS

D. 216,787 3/1970 Sorenson ..... D25/62  
3,747,706 7/1973 Paine et al. .... 52/9

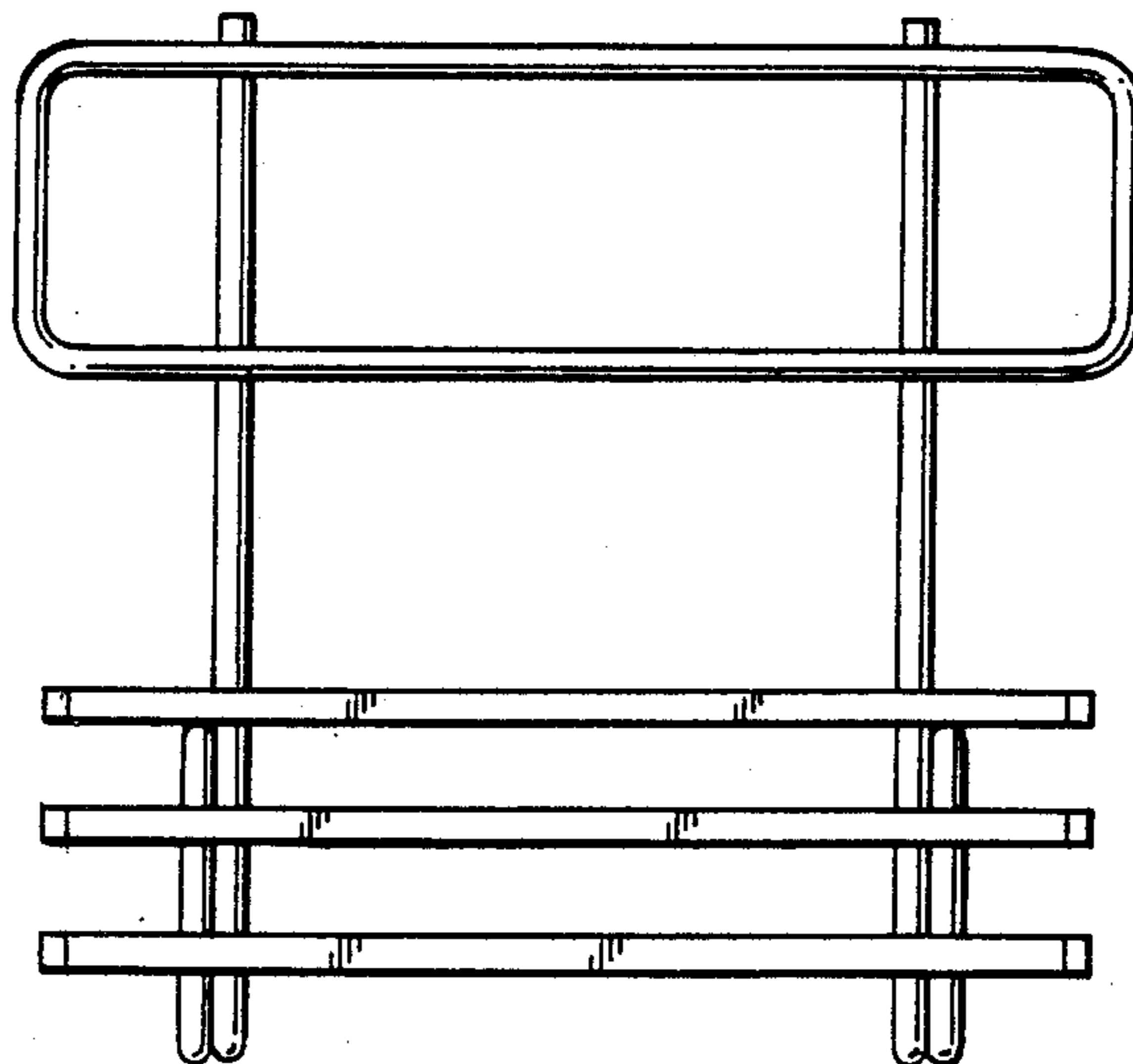


FIG. 1

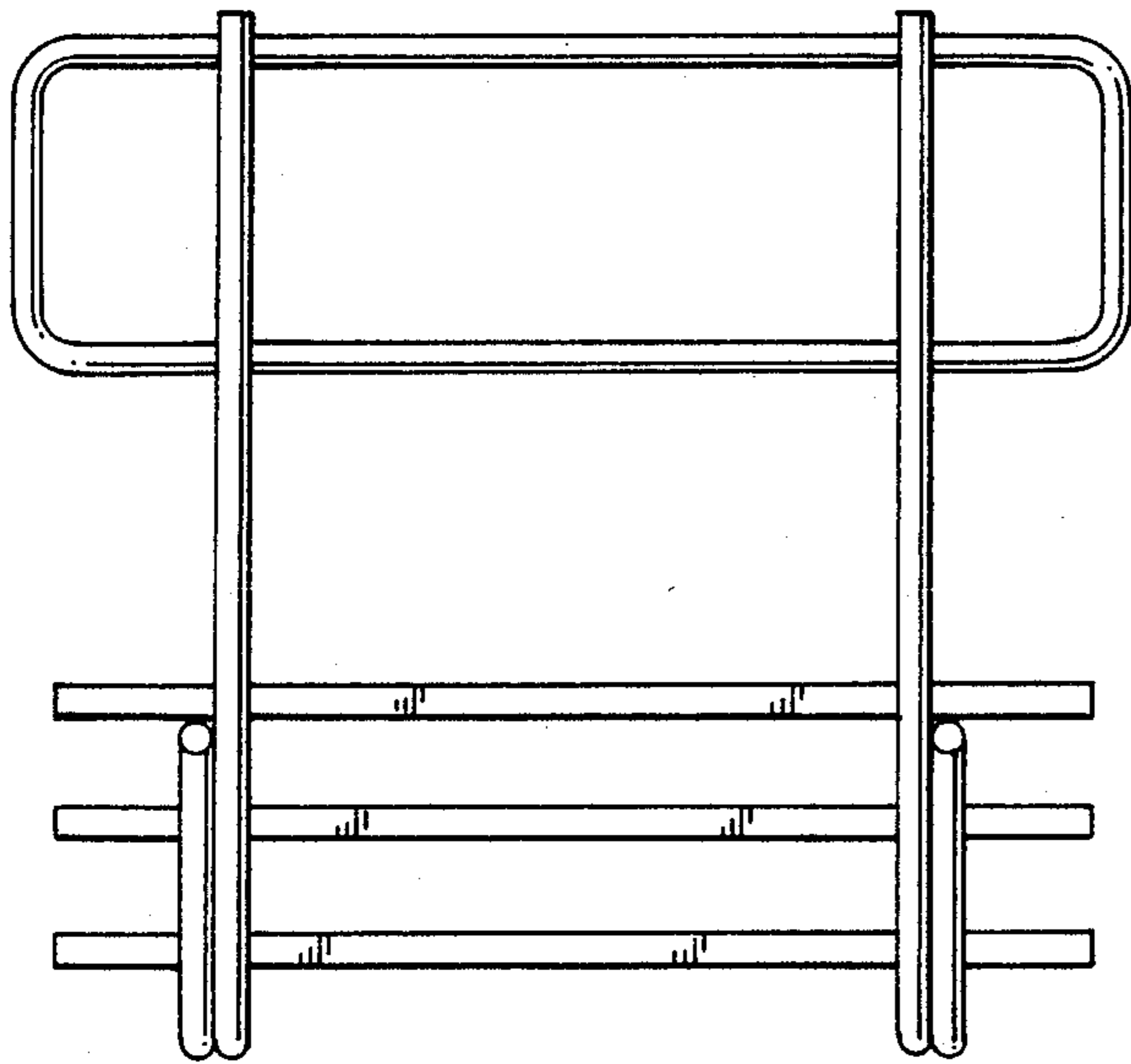


FIG. 2

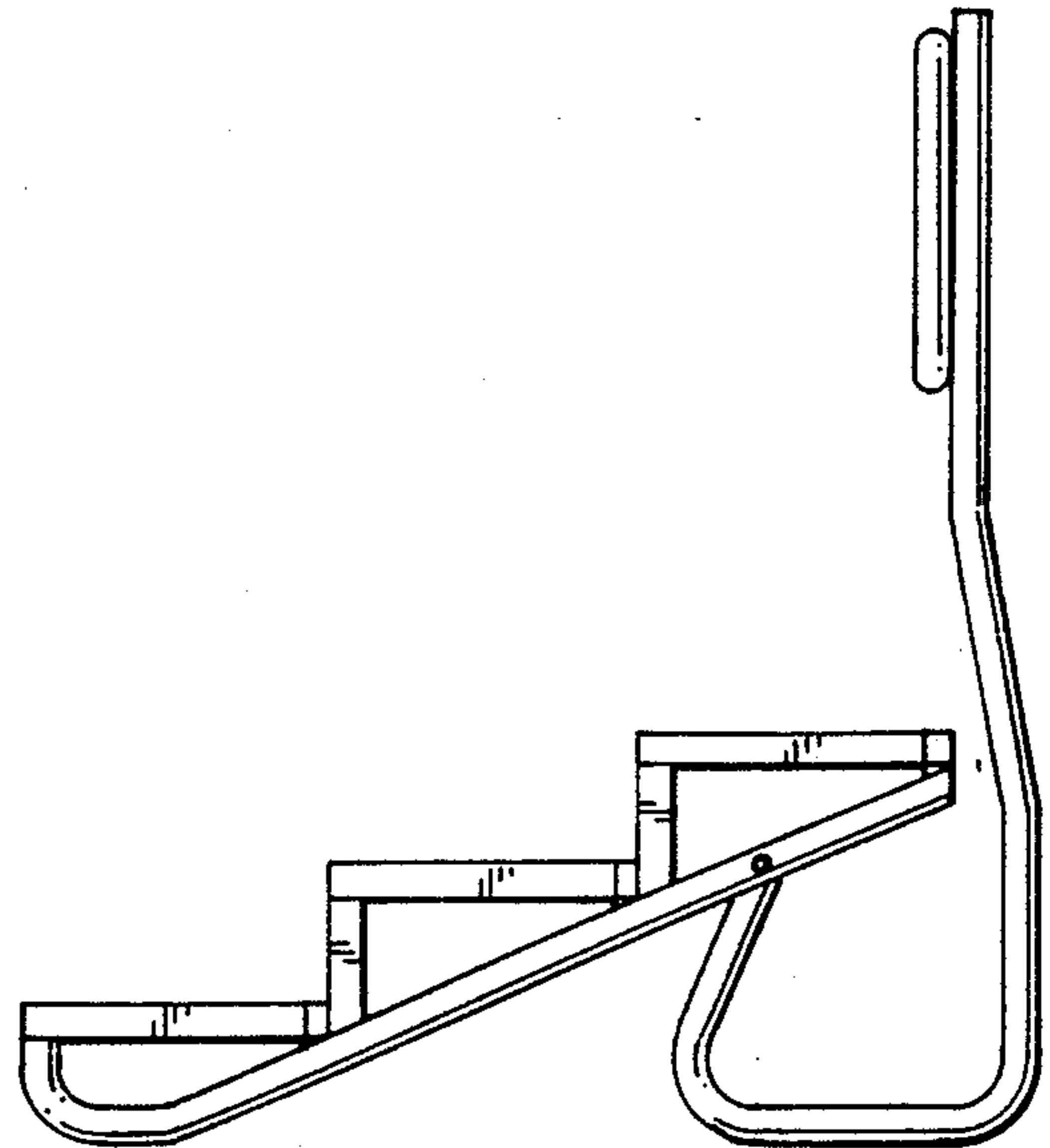


FIG. 3

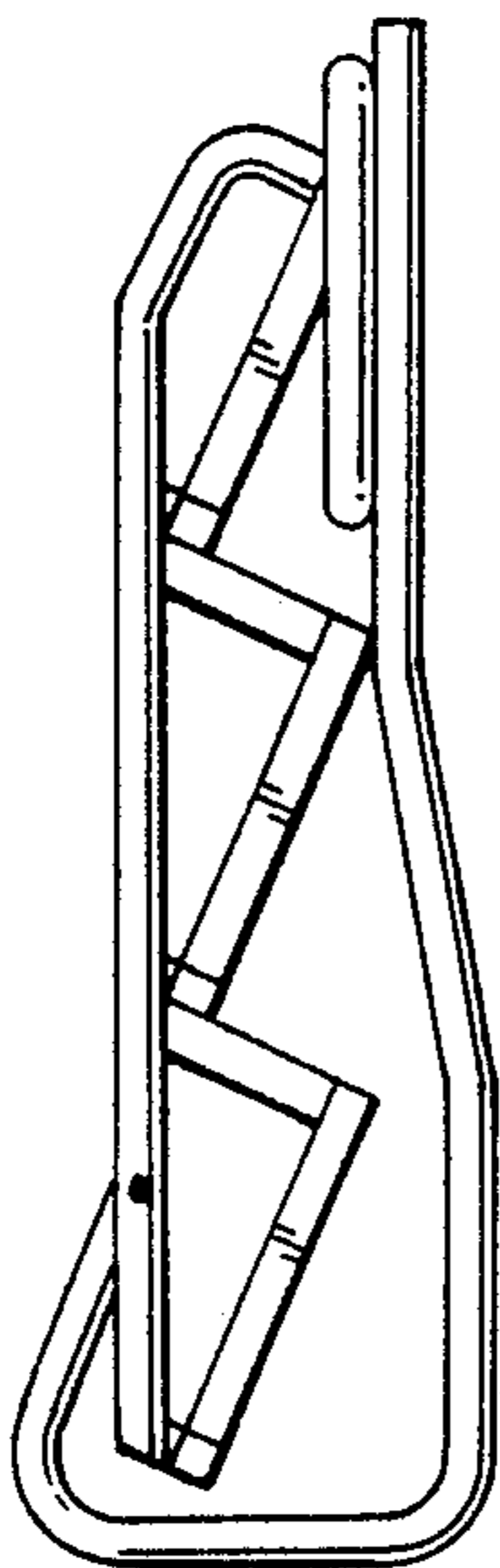


FIG. 4

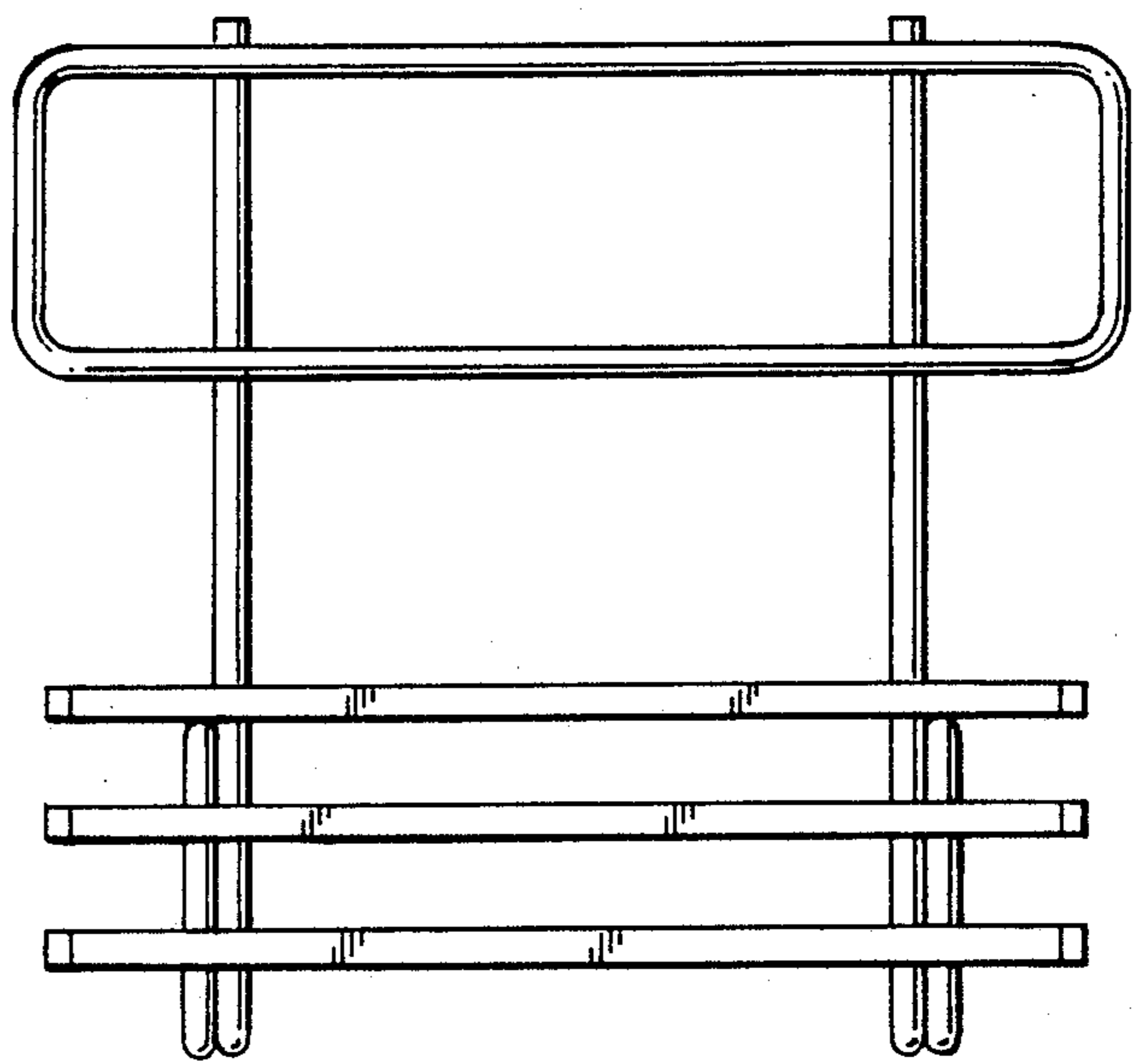


FIG. 5

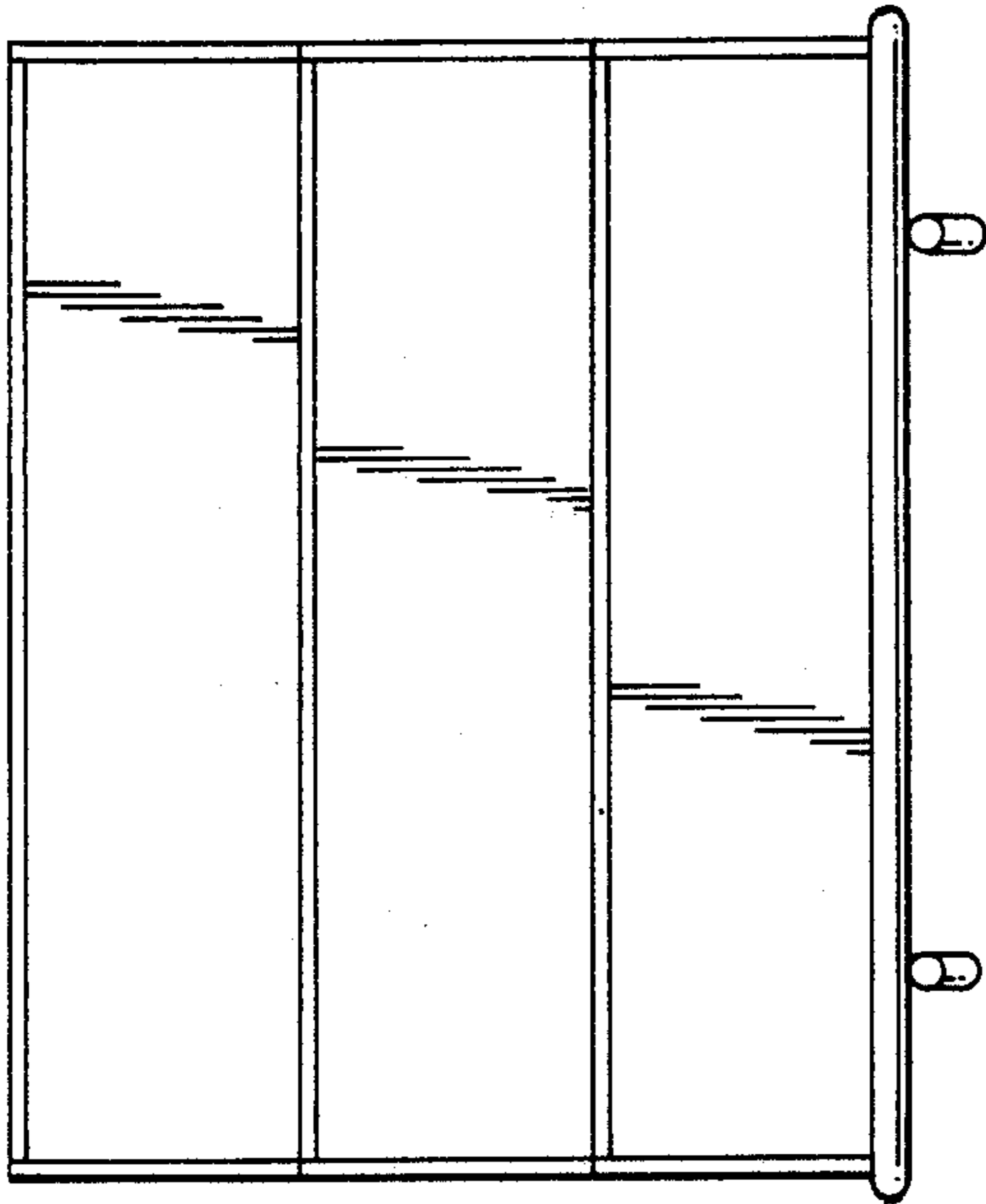


FIG. 6

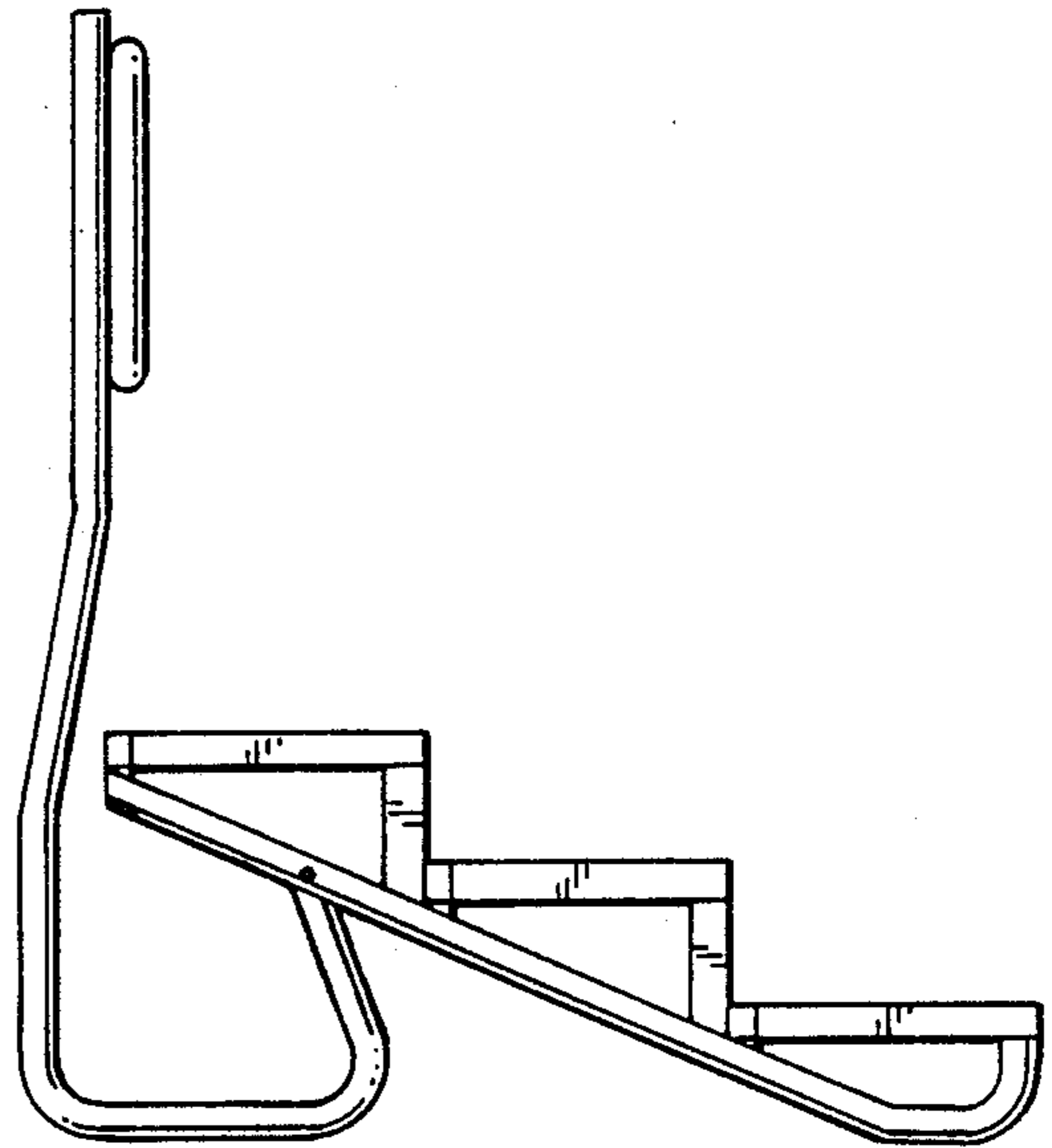


FIG. 7

