

[54] ENDOTRACHEAL INHALATOR

[76] Inventor: Robert W. Kalayjian, Rte. 8, Box 65A, Turkey Farm Rd., Chapel Hill, N.C. 27514

[**] Term: 14 Years

[21] Appl. No.: 66,100

[22] Filed: Jun. 23, 1987

[52] U.S. Cl. D24/62

[58] Field of Search D24/62; 128/200.21, 128/200.18, 200.14, 200.11

[56] References Cited

U.S. PATENT DOCUMENTS

D. 294,175	2/1988	Briggs	D24/62
3,104,062	9/1963	Mahon	D24/62 X
4,190,046	2/1980	Virag	128/200.21

OTHER PUBLICATIONS

Publication by Boehringer Laboratories entitled "Bronchodilator Tee".

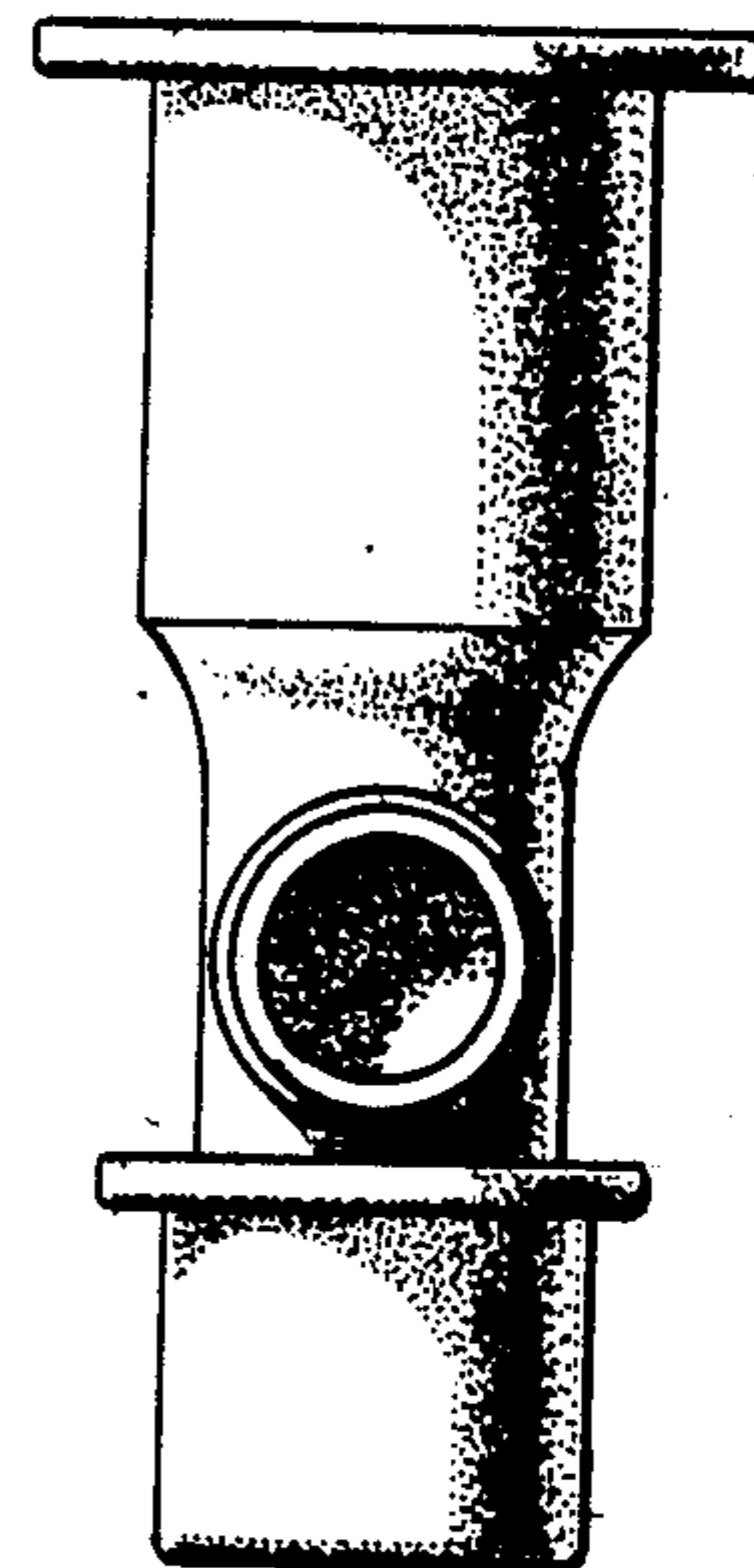
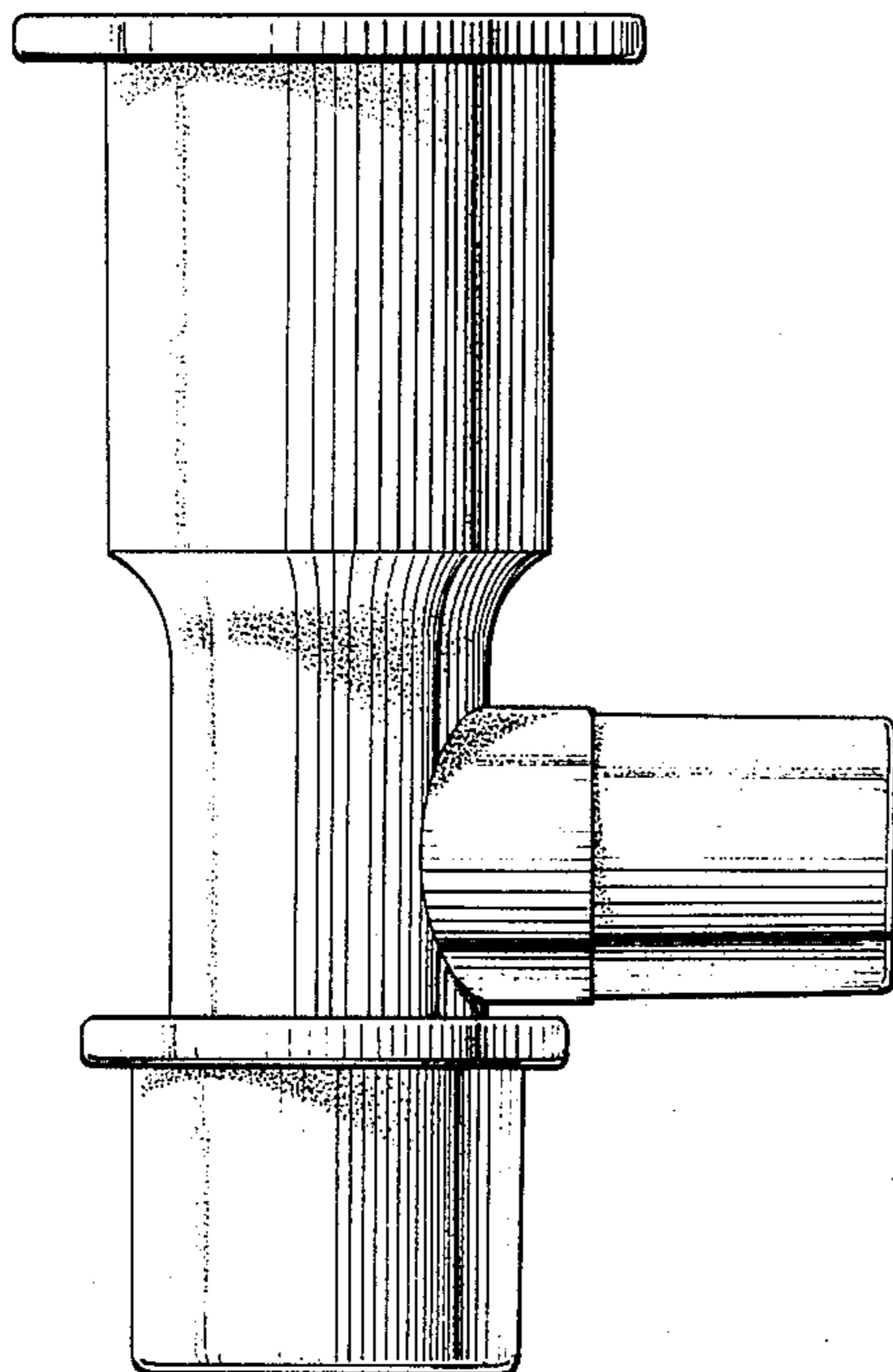
Primary Examiner—A. Hugo Word
Assistant Examiner—Stella M. Reid
Attorney, Agent, or Firm—Richard E. Jenkins

[57] CLAIM

The ornamental design for an endotracheal inhalator, as shown and described.

DESCRIPTION

FIG. 1 is a left side elevational view of an endotracheal inhalator, showing my new design, the right side elevational view being substantially a mirror image; FIG. 2 is a front elevational view thereof; FIG. 3 is a rear elevational view thereof; FIG. 4 is a top plan view thereof; and FIG. 5 is a bottom plan view thereof.



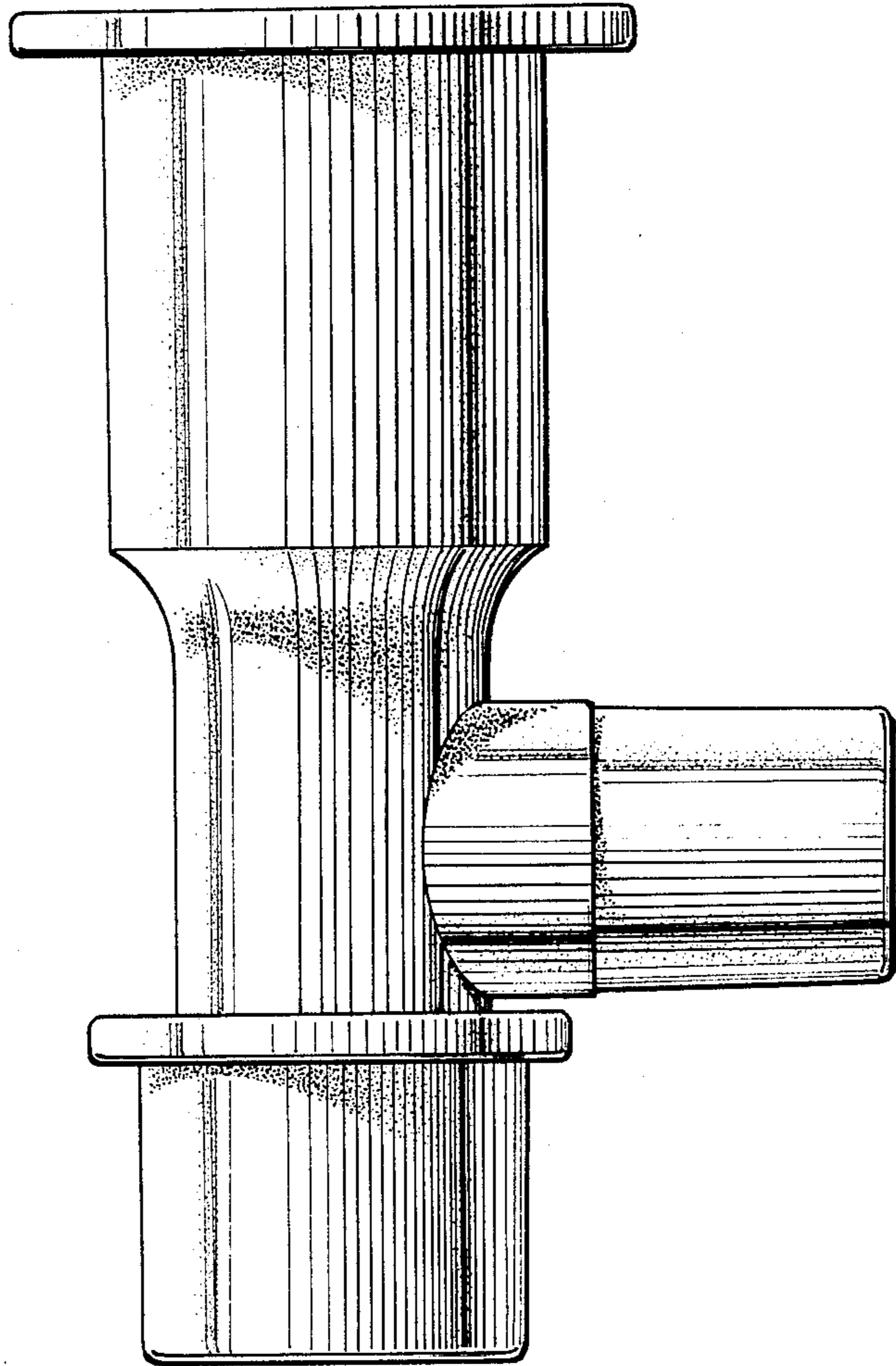


FIG. 1

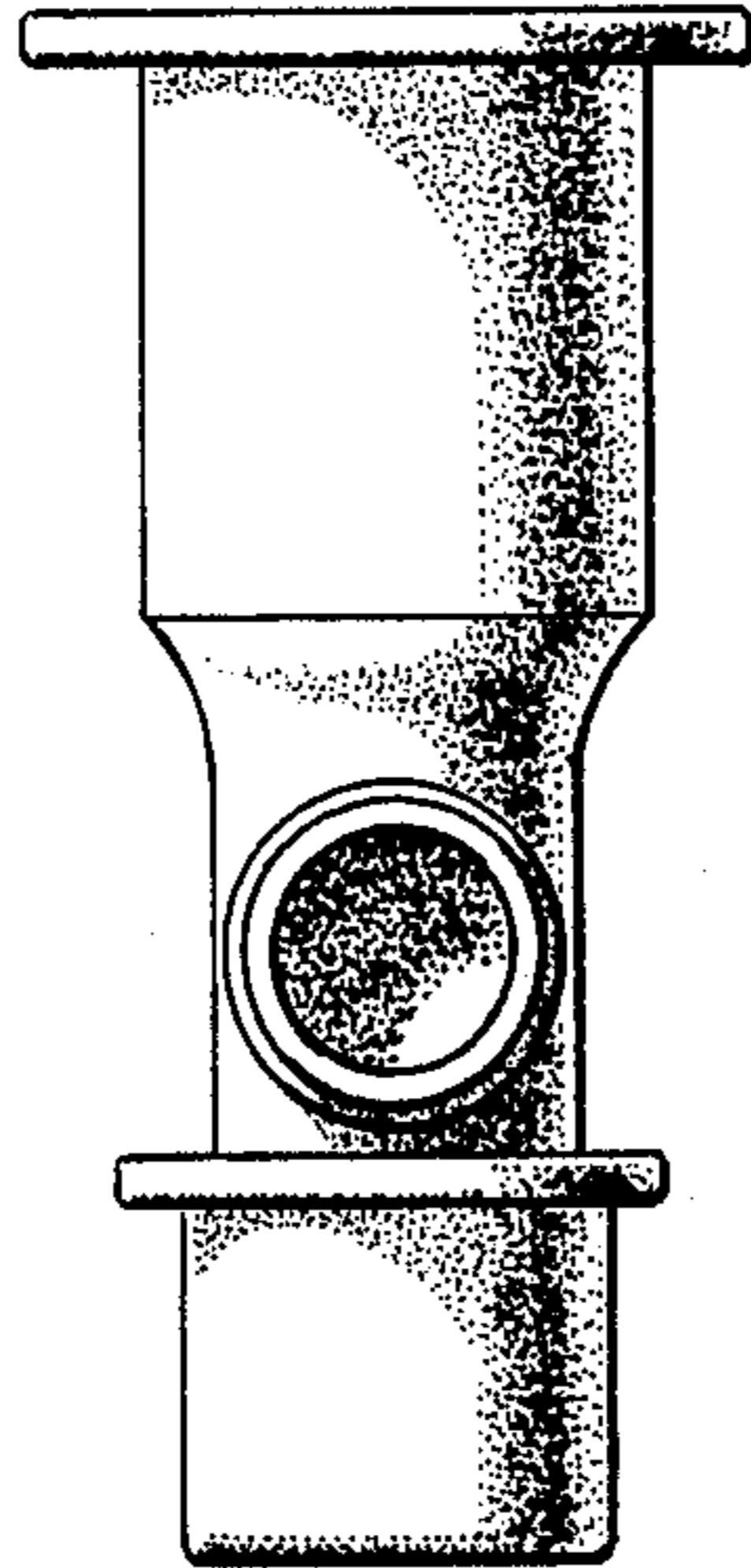


FIG. 2

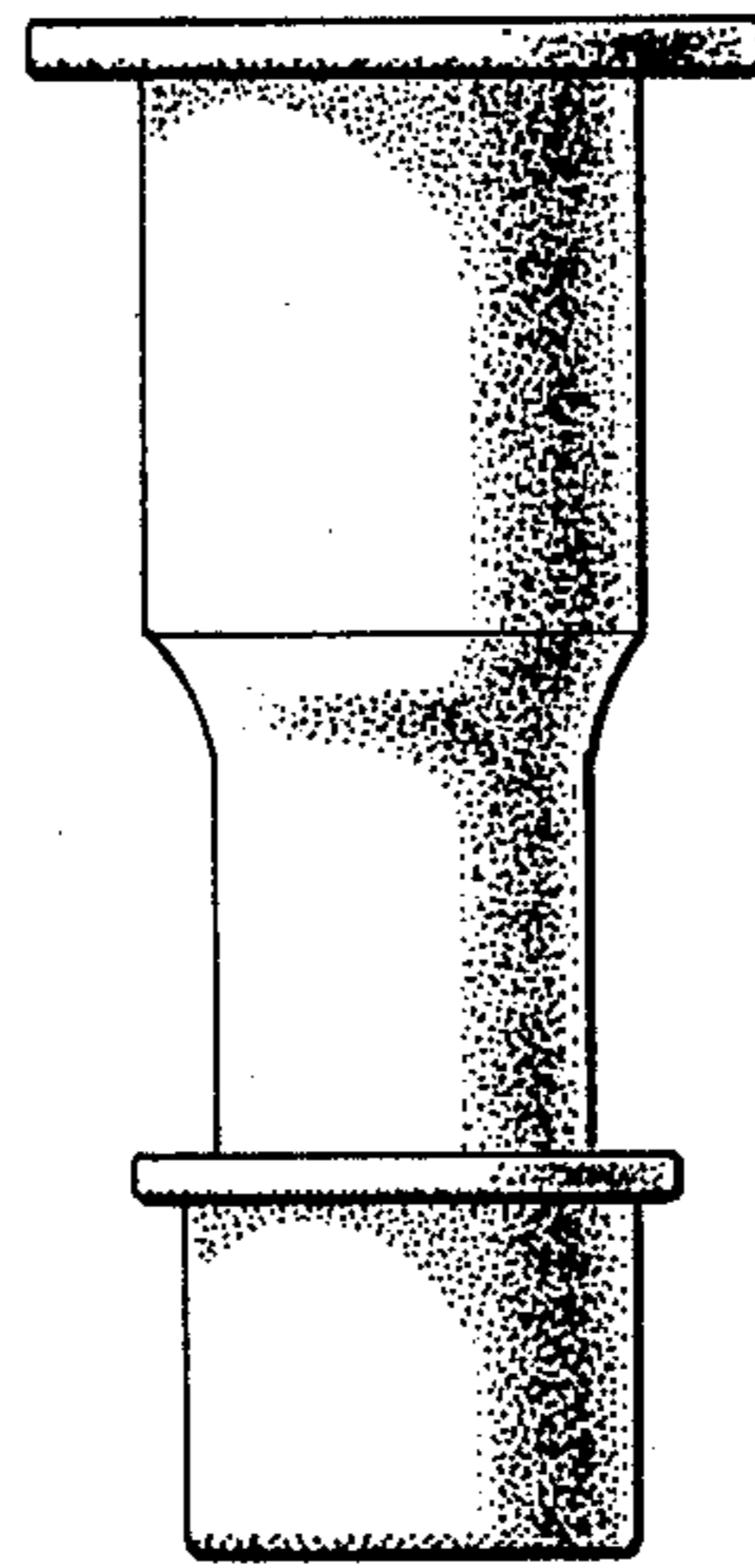


FIG. 3

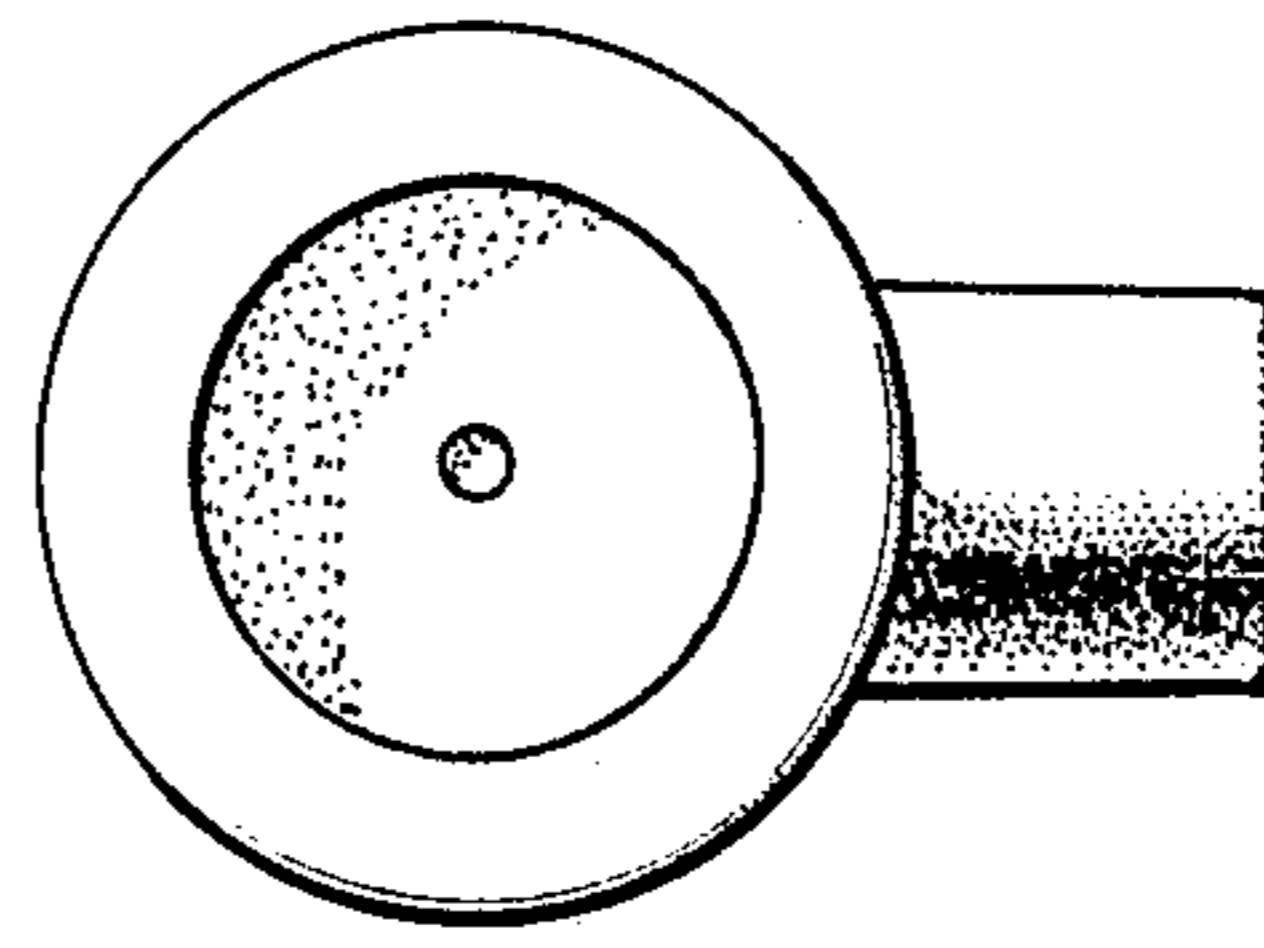


FIG. 4

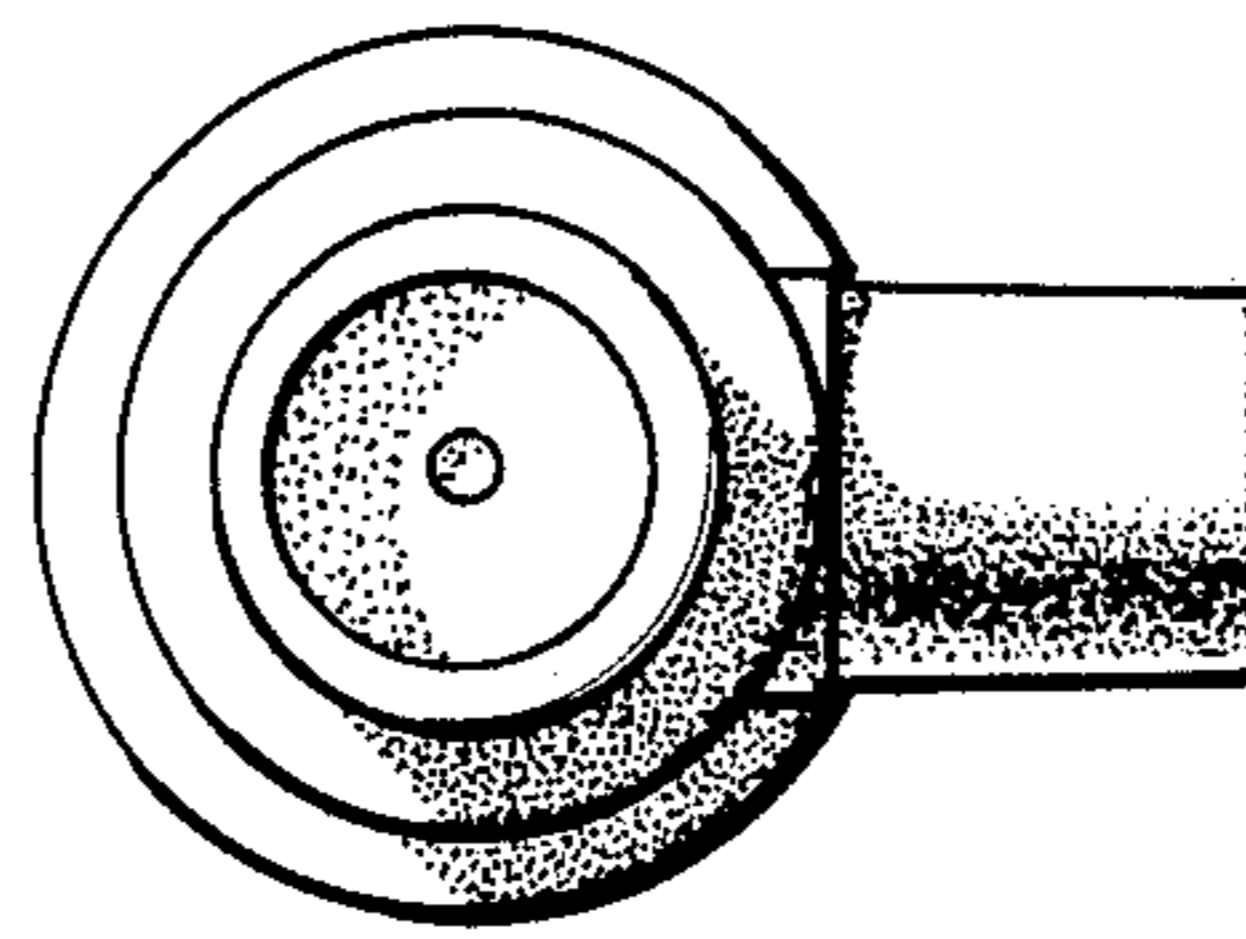


FIG. 5