

[54] ELECTRIC FRAGRANCE DISPENSER

[75] Inventor: Chella Luthy, New York, N.Y.

[73] Assignee: Creative Environments Inc., New York, N.Y.

[**] Term: 14 Years

[21] Appl. No.: 114,774

[22] Filed: Oct. 30, 1987

[52] U.S. Cl. D23/366

[58] Field of Search D23/355, 364, 366, 367; 219/271, 274, 273, 276; 261/142; 422/123, 124, 125, 4; D13/28, 29, 32, 38

[56] References Cited

U.S. PATENT DOCUMENTS

D. 100,527	7/1936	Dreyfuss	D13/28
2,611,068	9/1952	Wellens	422/125
2,691,716	10/1954	Wellens	219/271
3,748,438	7/1973	Costello	219/271
4,391,781	7/1983	van Lit	422/125
4,588,874	5/1986	Napierski	219/271
4,813,344	3/1989	Greif	422/124

FOREIGN PATENT DOCUMENTS

473267	5/1951	Canada	219/276
1012354	7/1952	France	219/274
296845	2/1954	Switzerland	422/4
1514712	6/1978	United Kingdom	422/123

OTHER PUBLICATIONS

British Plastics, 7/53, p. 260, Heavy-Duty Electrical Plug and Socket (E. F. Cole, Ltd.).

Primary Examiner—James M. Gandy
Assistant Examiner—Lisa Lichtenstein
Attorney, Agent, or Firm—Milde & Robinson

[57] CLAIM

The ornamental design for an electric fragrance dispenser, as shown.

DESCRIPTION

FIG. 1 is a perspective view of the electrical fragrance dispenser, showing my new design.
FIG. 2 is an enlarged front elevation view thereof.
FIG. 3 is an enlarged side elevation view thereof.
FIG. 4 is an enlarged rear elevation view thereof.

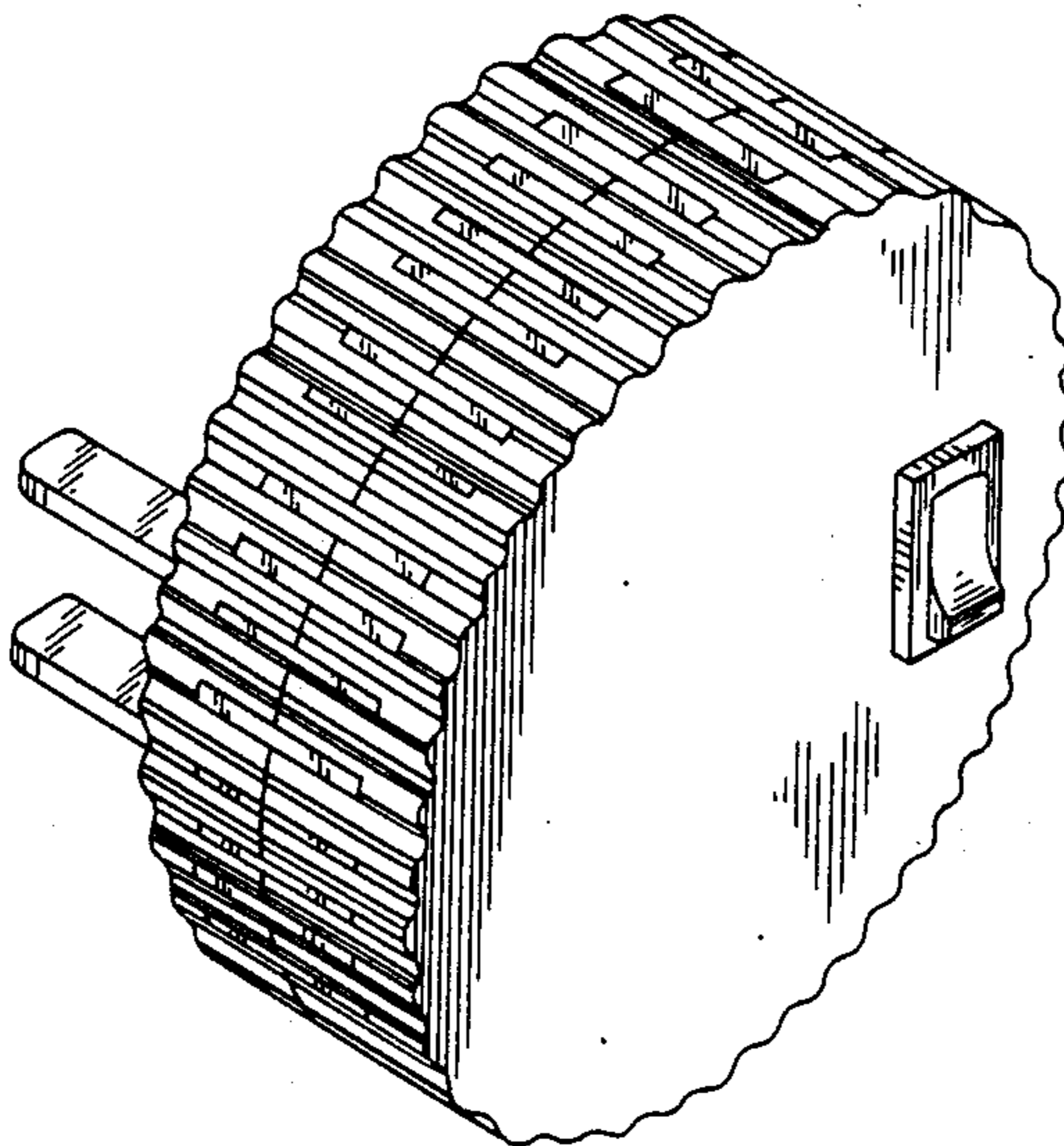


FIG. 1

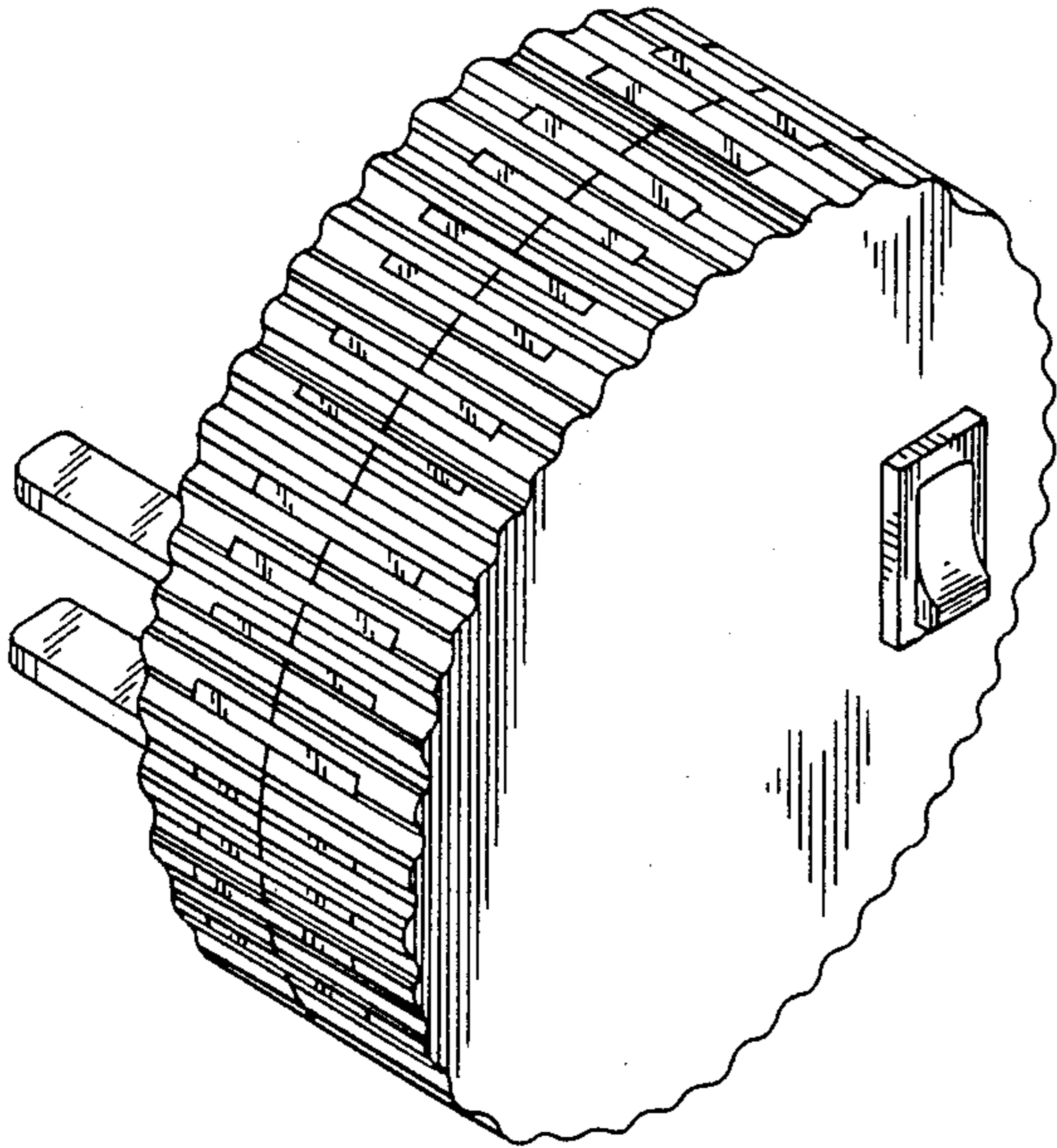


FIG. 2

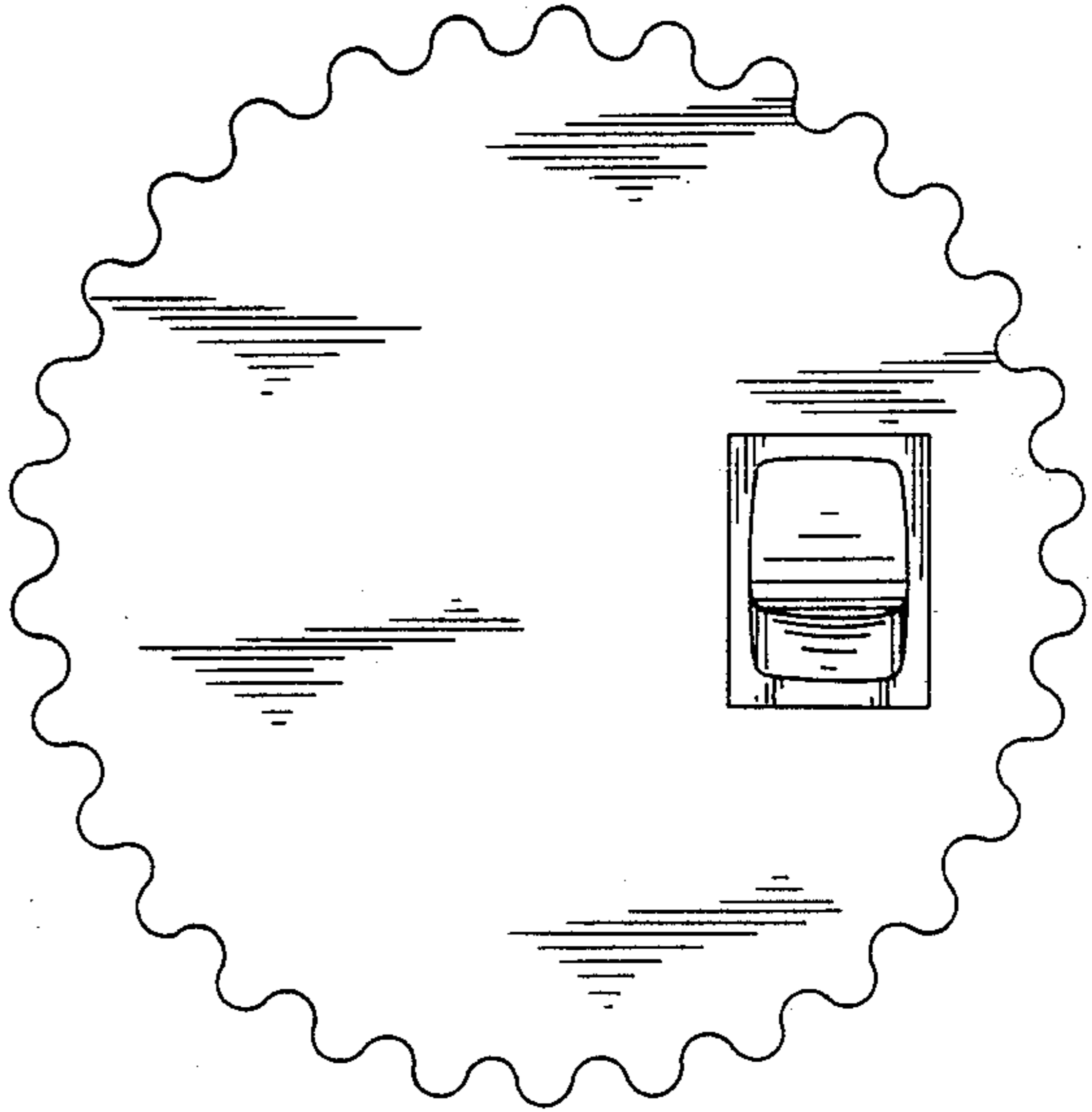


FIG. 3

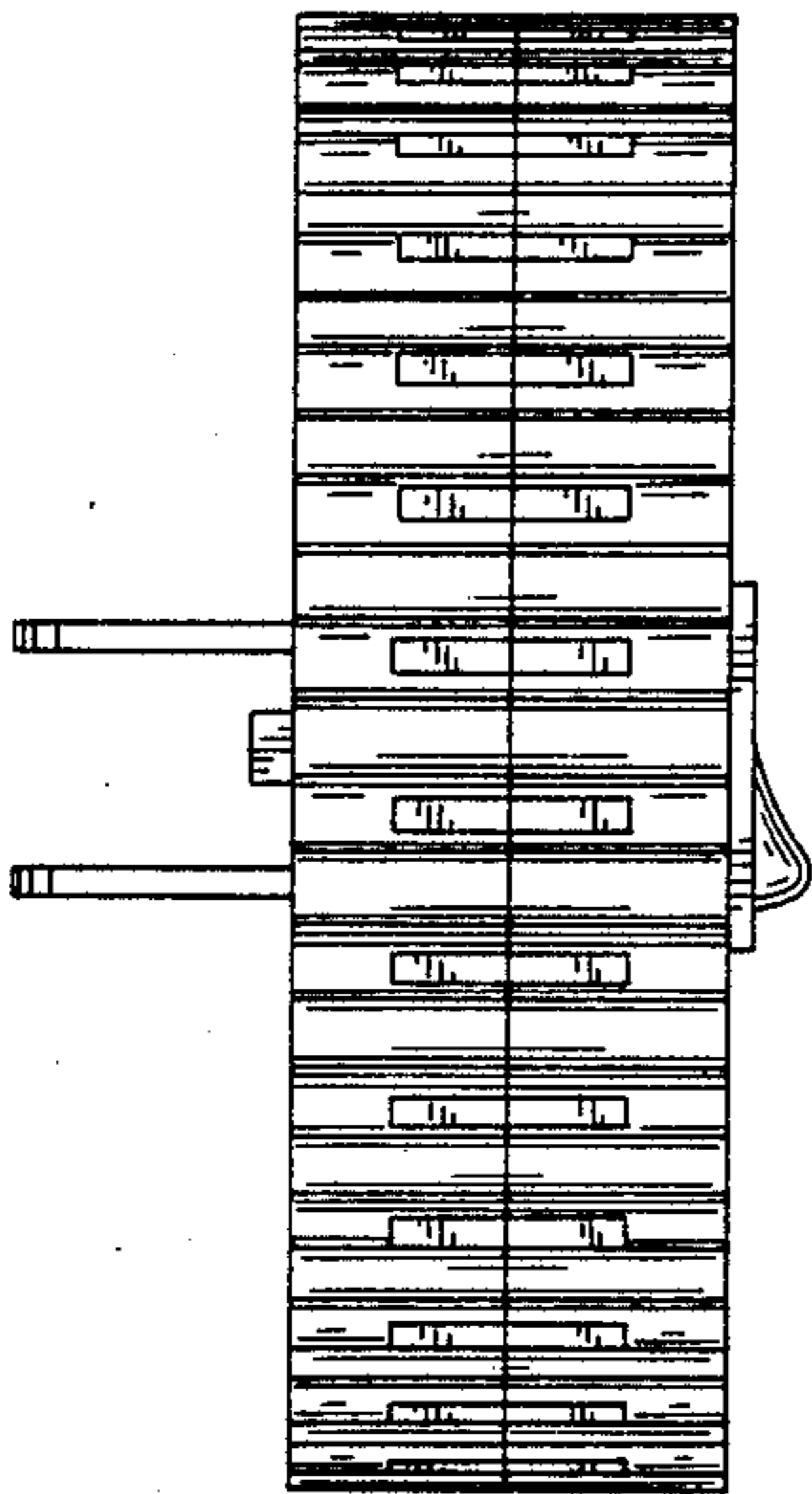


FIG. 4

