

[54] **FISHING POLE HOLDER**

[76] **Inventor:** Arnold R. Engle, 1644 NE. 143rd Ave., Portland, Oreg. 97230

[**] **Term:** 14 Years

[21] **Appl. No.:** 348,478

[22] **Filed:** May 8, 1989

[52] **U.S. Cl.** D22/147

[58] **Field of Search** D22/147; 43/21.2;
248/222.1, 223.4, 514, 538

[56] **References Cited**

U.S. PATENT DOCUMENTS

D. 230,356	2/1974	Nelson	D22/147
D. 230,730	3/1974	Ingram	D22/147
D. 233,036	10/1974	Hoover, Jr.	D22/147
D. 255,259	6/1980	Nelson	D22/147
4,468,878	9/1984	Maher	43/21.2

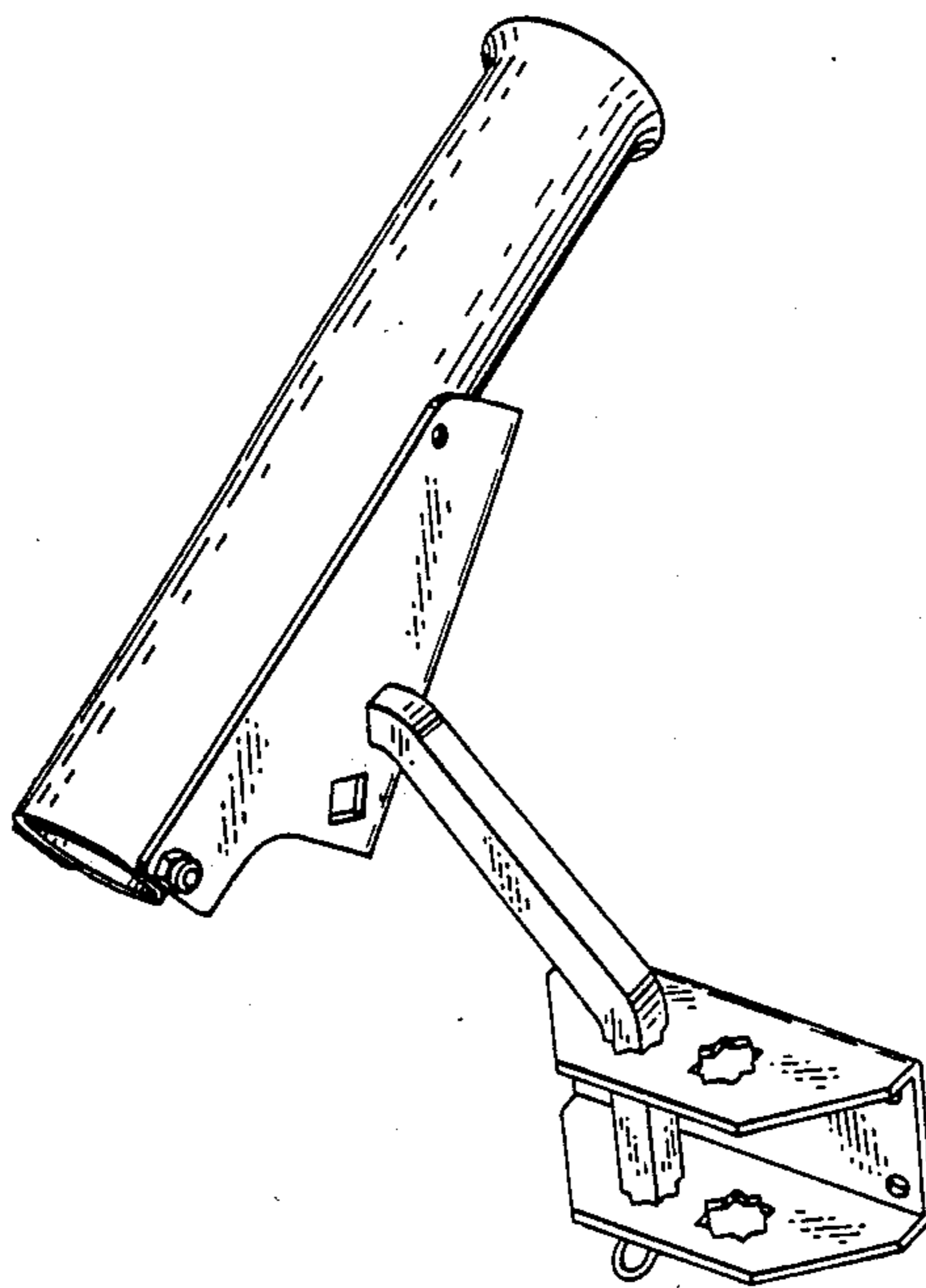
Primary Examiner—A. Hugo Word
Attorney, Agent, or Firm—Chernoff, Vilhauer, McClung & Stenzel

[57] **CLAIM**

The ornamental design for a fishing pole holder, as shown and described.

DESCRIPTION

FIG. 1 is a perspective view of a fishing pole holder, showing my new design;
FIG. 2 is a right side elevational view thereof, at a reduced scale;
FIG. 3 is a front elevational view thereof, at a reduced scale;
FIG. 4 is a top plan view thereof, at a reduced scale;
FIG. 5 is a left side elevational view thereof, at a reduced scale;
FIG. 6 is a rear elevational view thereof, at a reduced scale; and
FIG. 7 is a bottom view thereof, at a reduced scale.



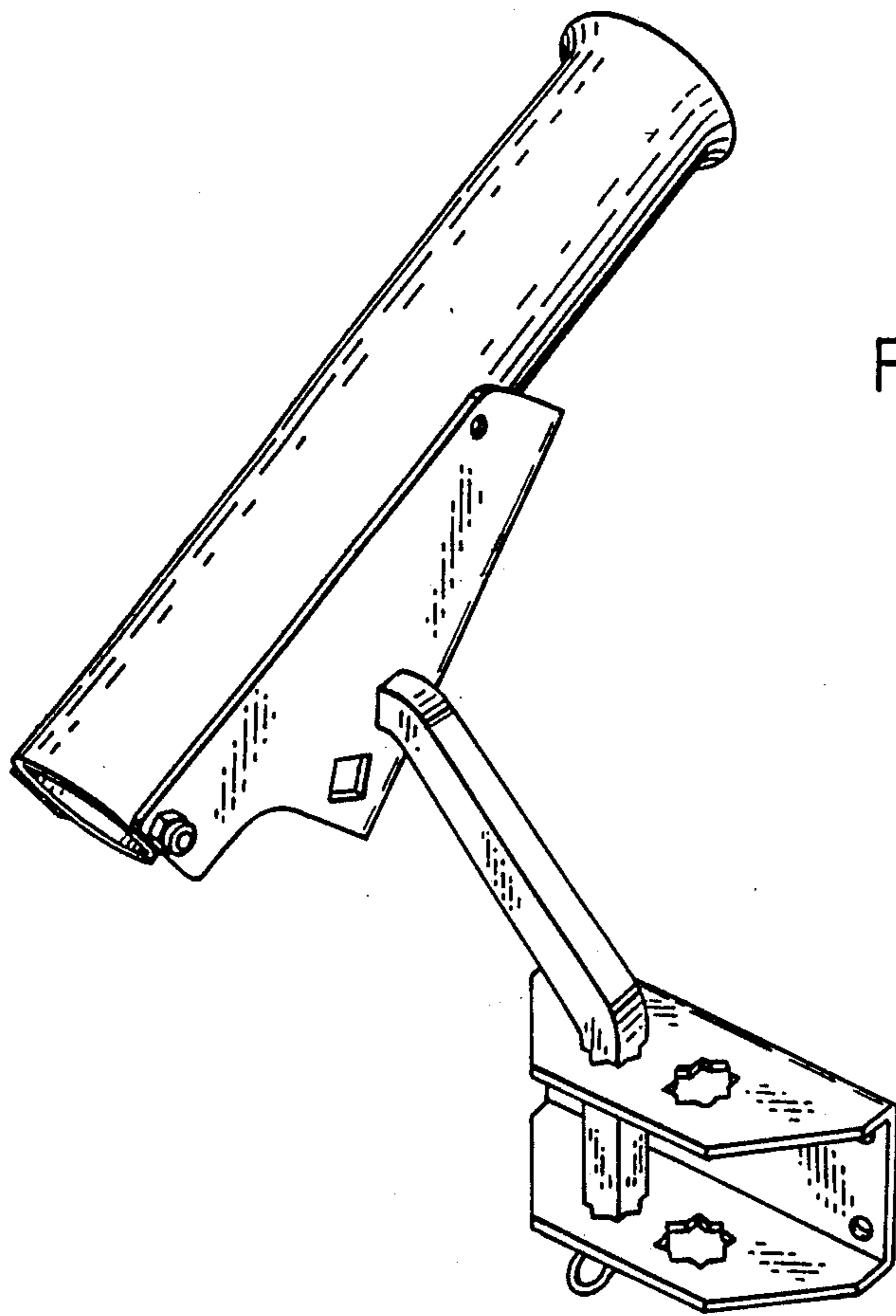


FIG. 1

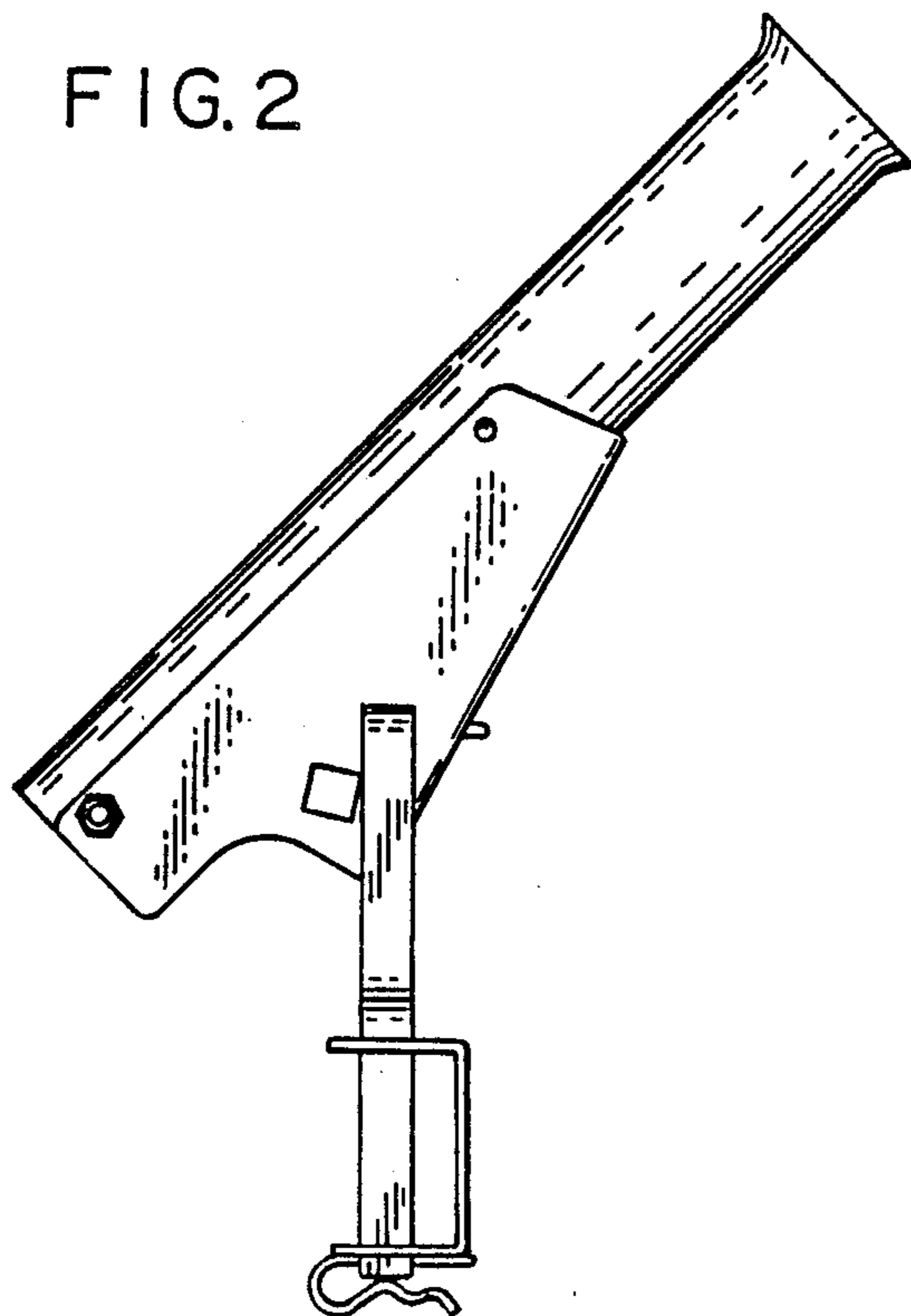


FIG. 2

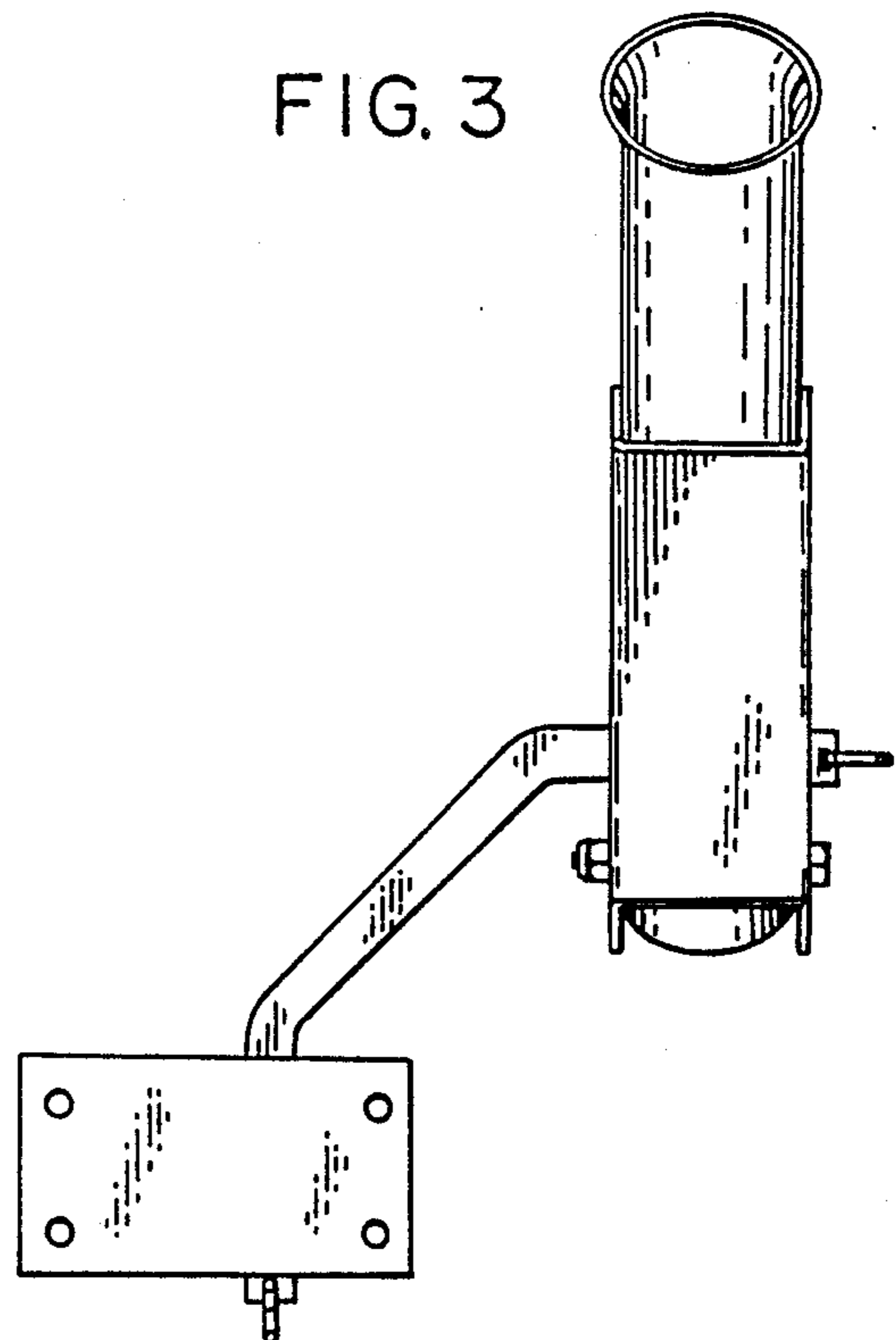


FIG. 3

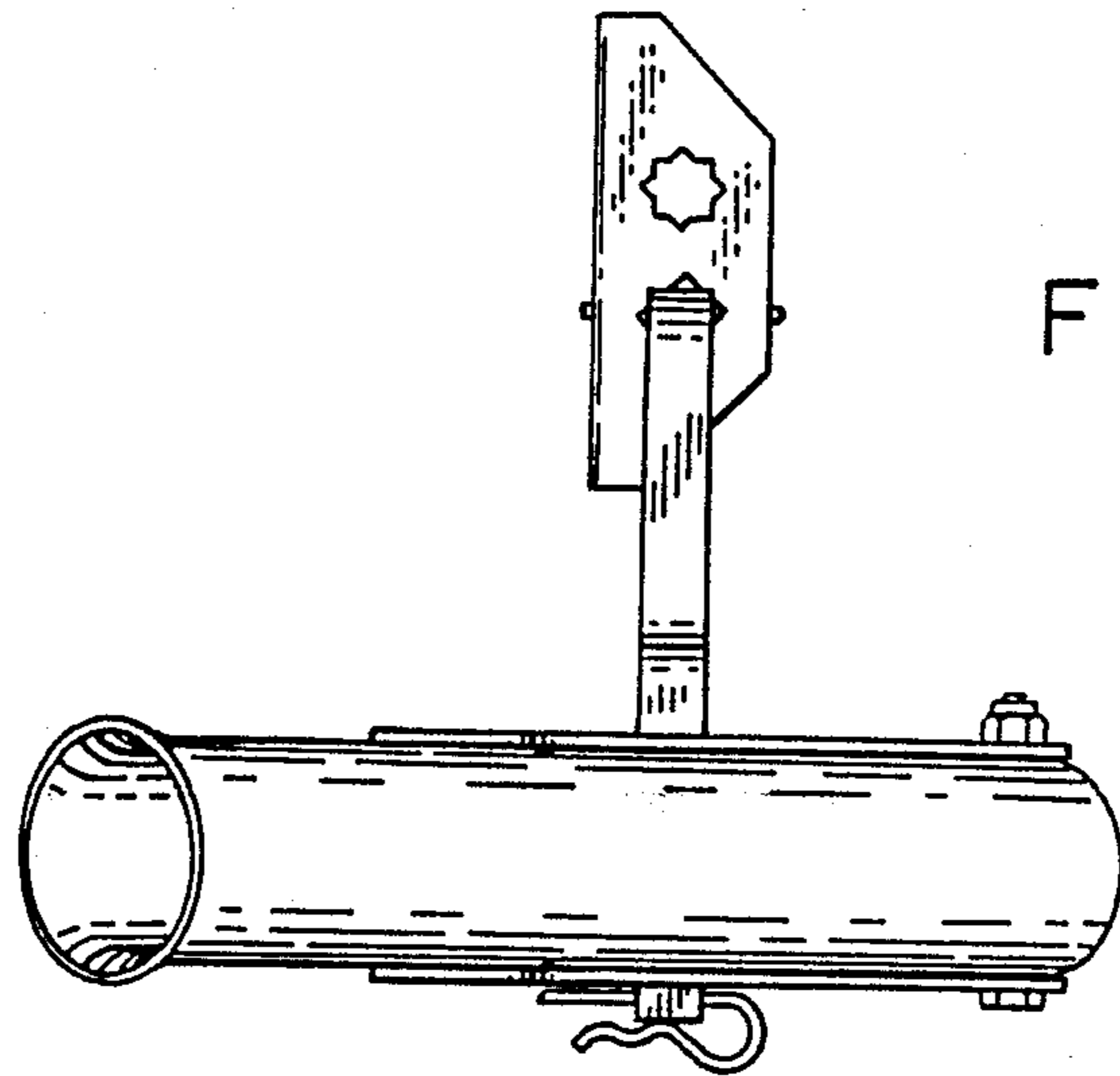


FIG. 4

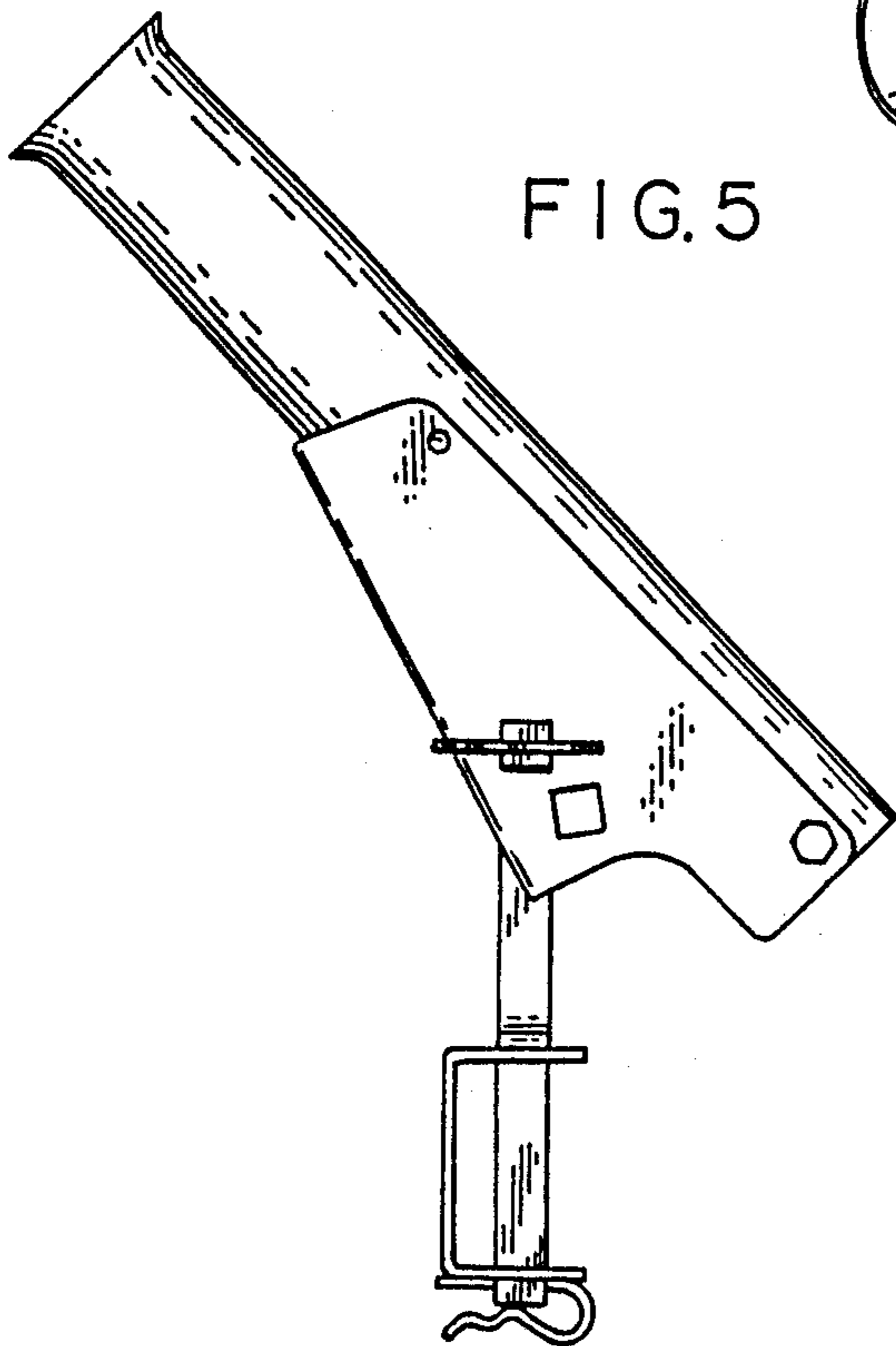


FIG. 5

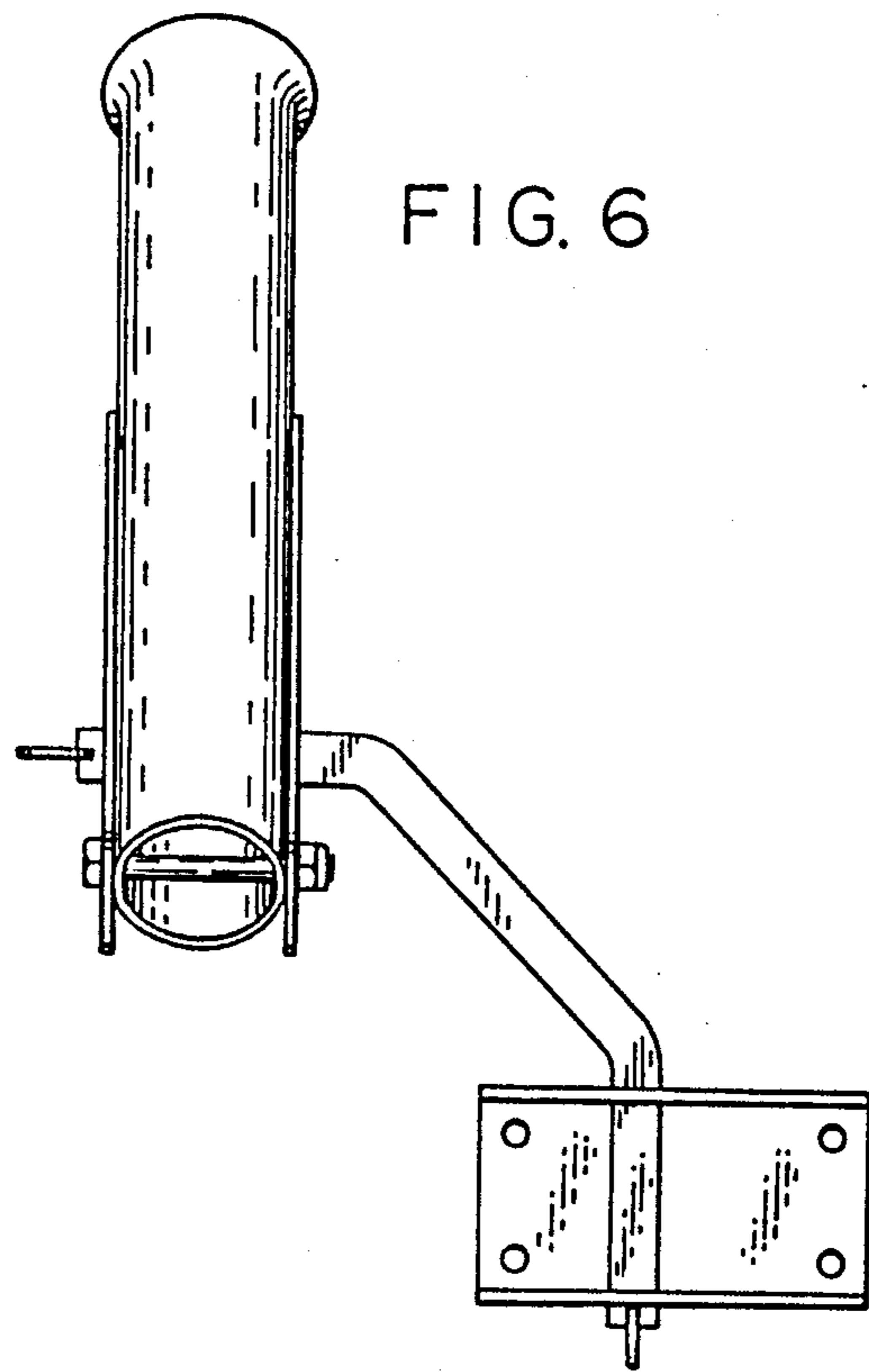


FIG. 6

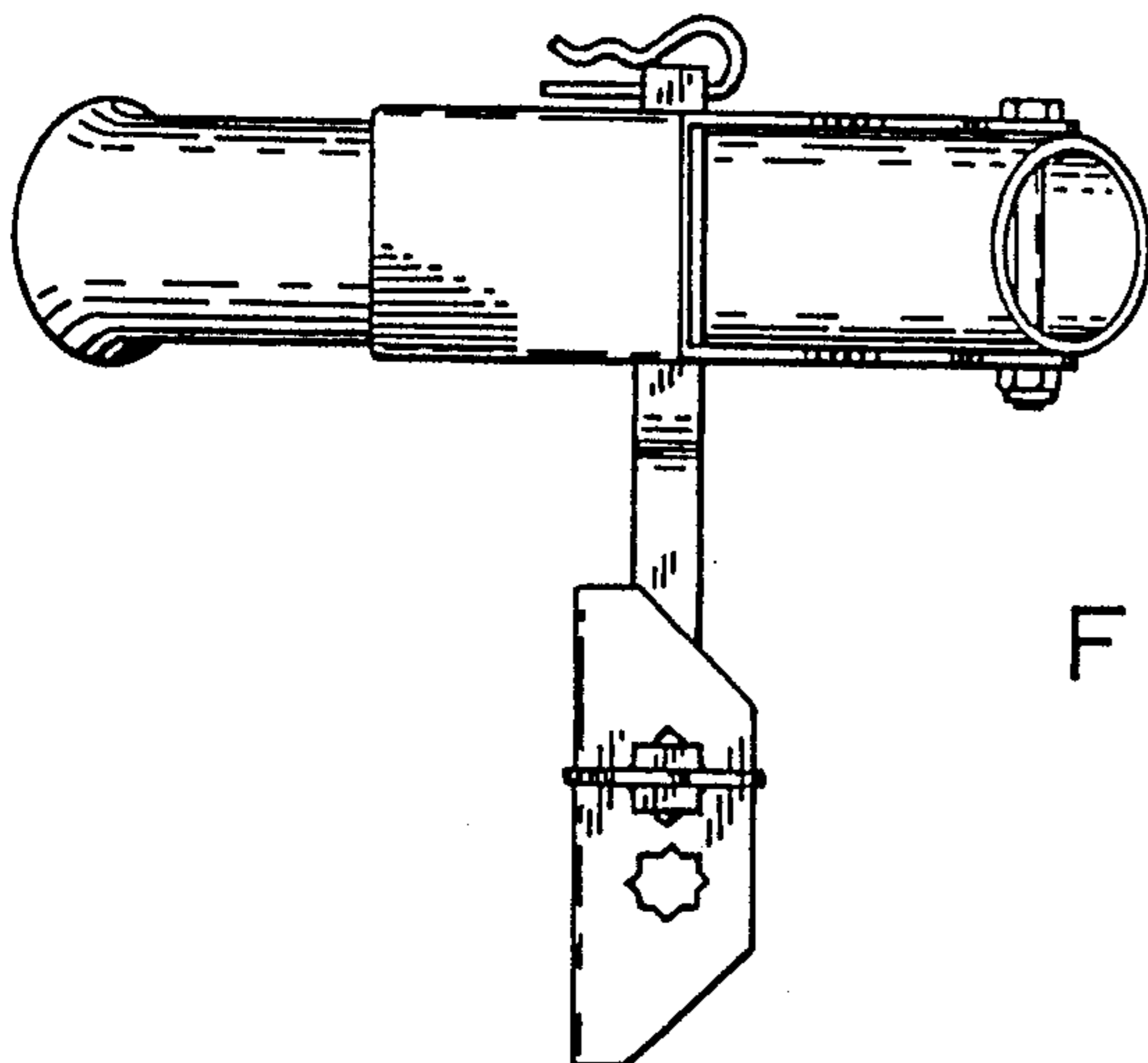


FIG. 7