

[54] FISHING ROD HOLDER

[76] Inventor: Blayney J. Scott, 306 Dallas Rd., Victoria, British Columbia, Canada, V8V 1A7

[**] Term: 14 Years

[21] Appl. No.: 81,901

[22] Filed: Aug. 5, 1987

[52] U.S. Cl. D22/147

[58] Field of Search D22/147; 43/21.2; 248/515, 518, 530-533, 514

[56] References Cited

U.S. PATENT DOCUMENTS

D. 230,588	3/1974	Miller	D22/147
2,900,152	8/1959	Hahn	248/515
3,140,069	7/1964	McBurney et al.	248/514
3,154,274	10/1964	Hillcourt	D22/147 X
4,236,339	12/1980	White	43/21.2 X
4,366,640	1/1983	Clapp	43/21.2
4,603,501	8/1986	Radcliff	43/21.2

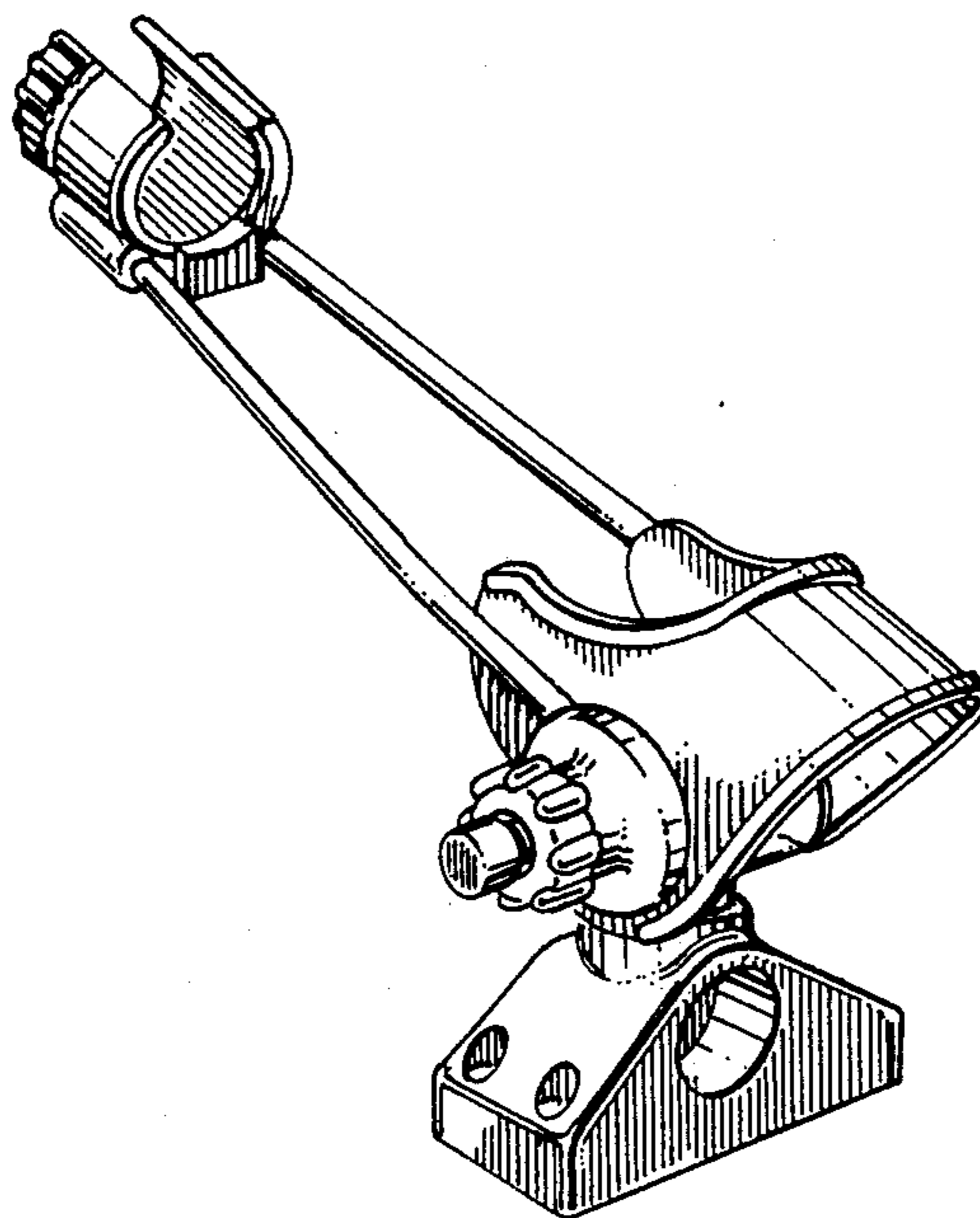
Primary Examiner—A. Hugo Word
Assistant Examiner—Doris V. Coles
Attorney, Agent, or Firm—Bull, Housser & Tupper

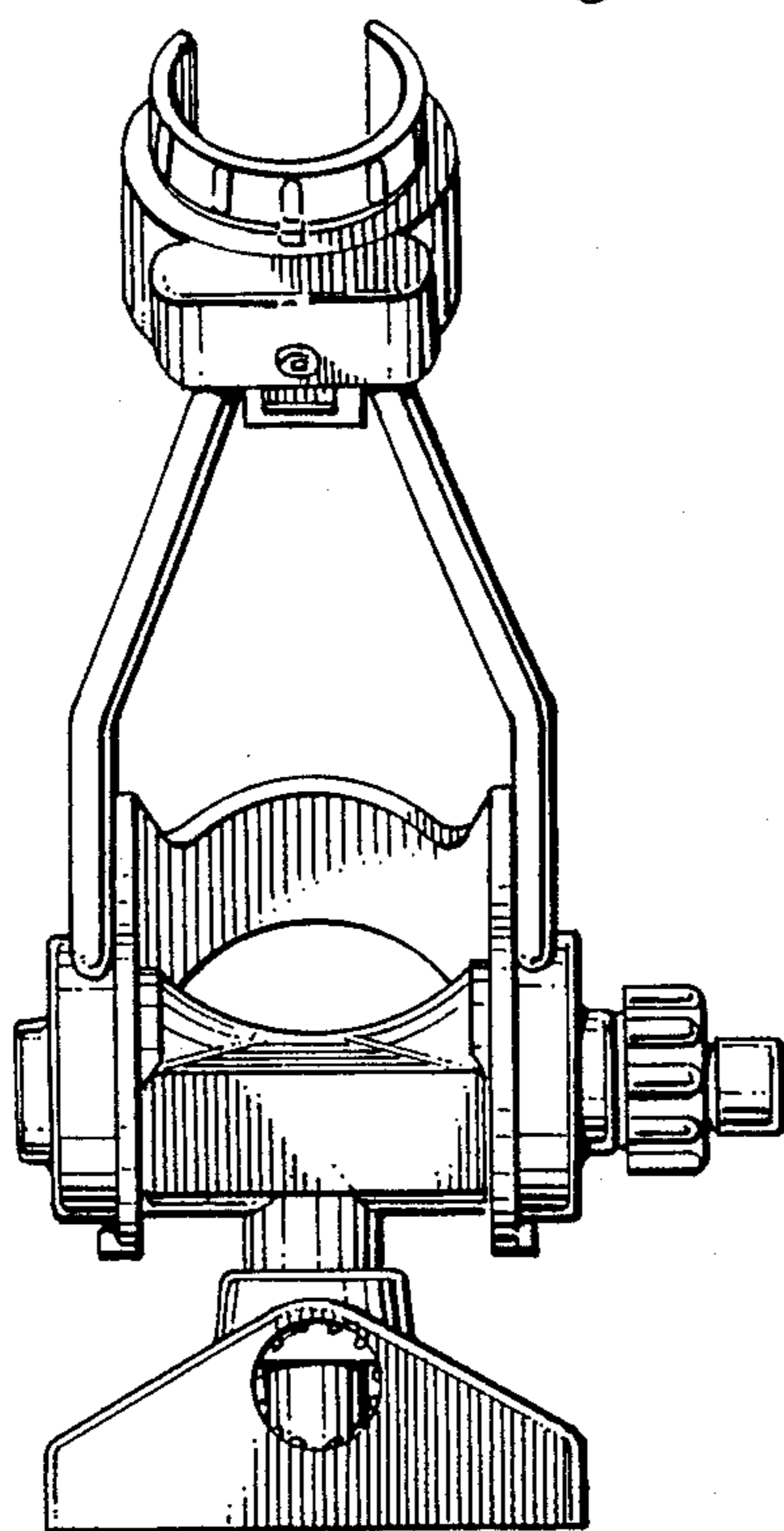
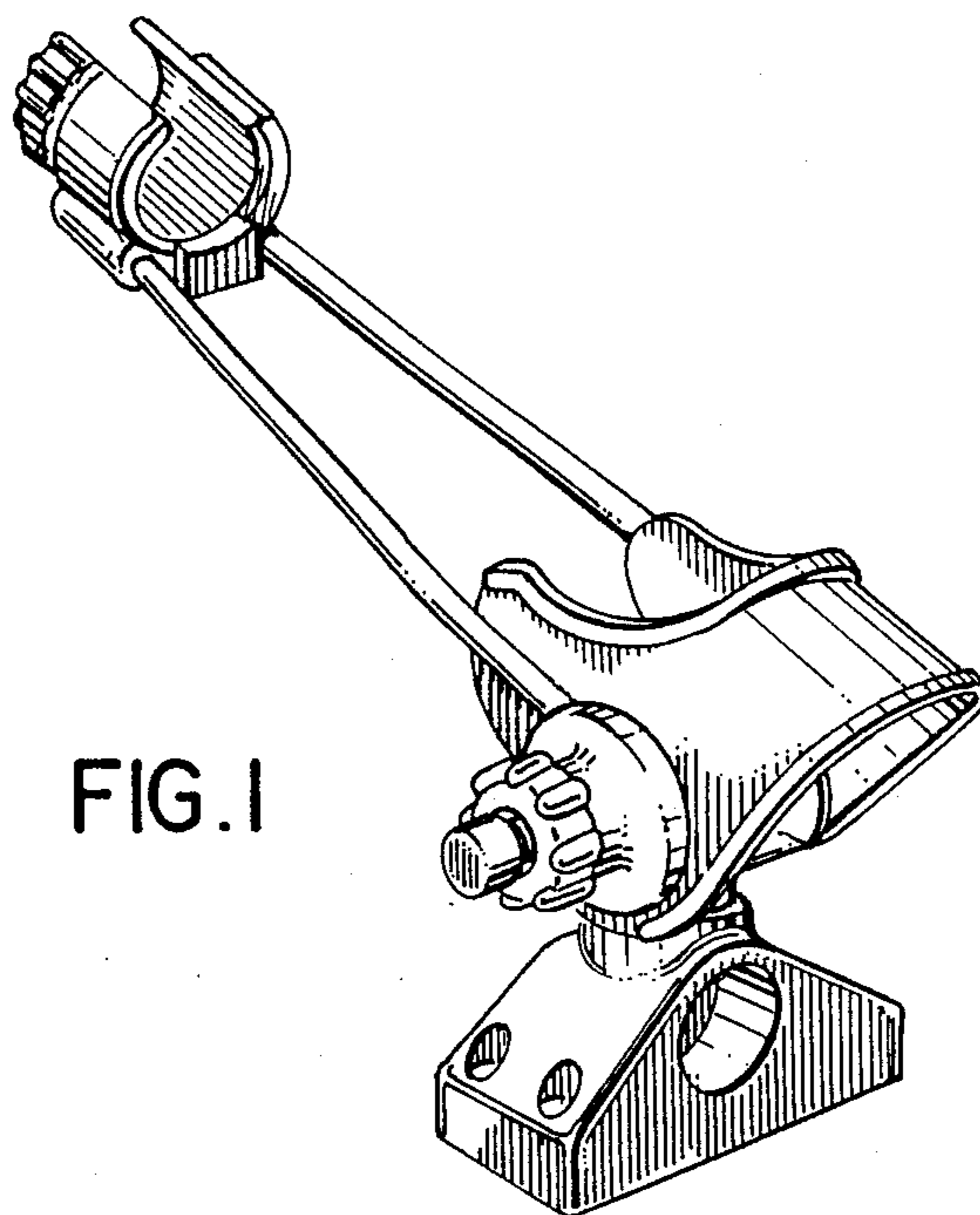
[57] CLAIM

The ornamental design for a fishing rod holder, as shown.

DESCRIPTION

FIG. 1 is a perspective view of a fishing rod holder in an operative position and in a horizontal plane mounting configuration, showing my new design;
FIG. 2 is a front elevational view thereof;
FIG. 3 is a left side elevational view thereof;
FIG. 4 is a top plan view thereof;
FIG. 5 is a right side elevational view thereof;
FIG. 6 is a bottom plan view thereof;
FIG. 7 is a perspective view thereof, in a stowed position and in a horizontal plane mounting configuration; and
FIG. 8 is a perspective view thereof, in an operative position and in a vertical plane mounting configuration.





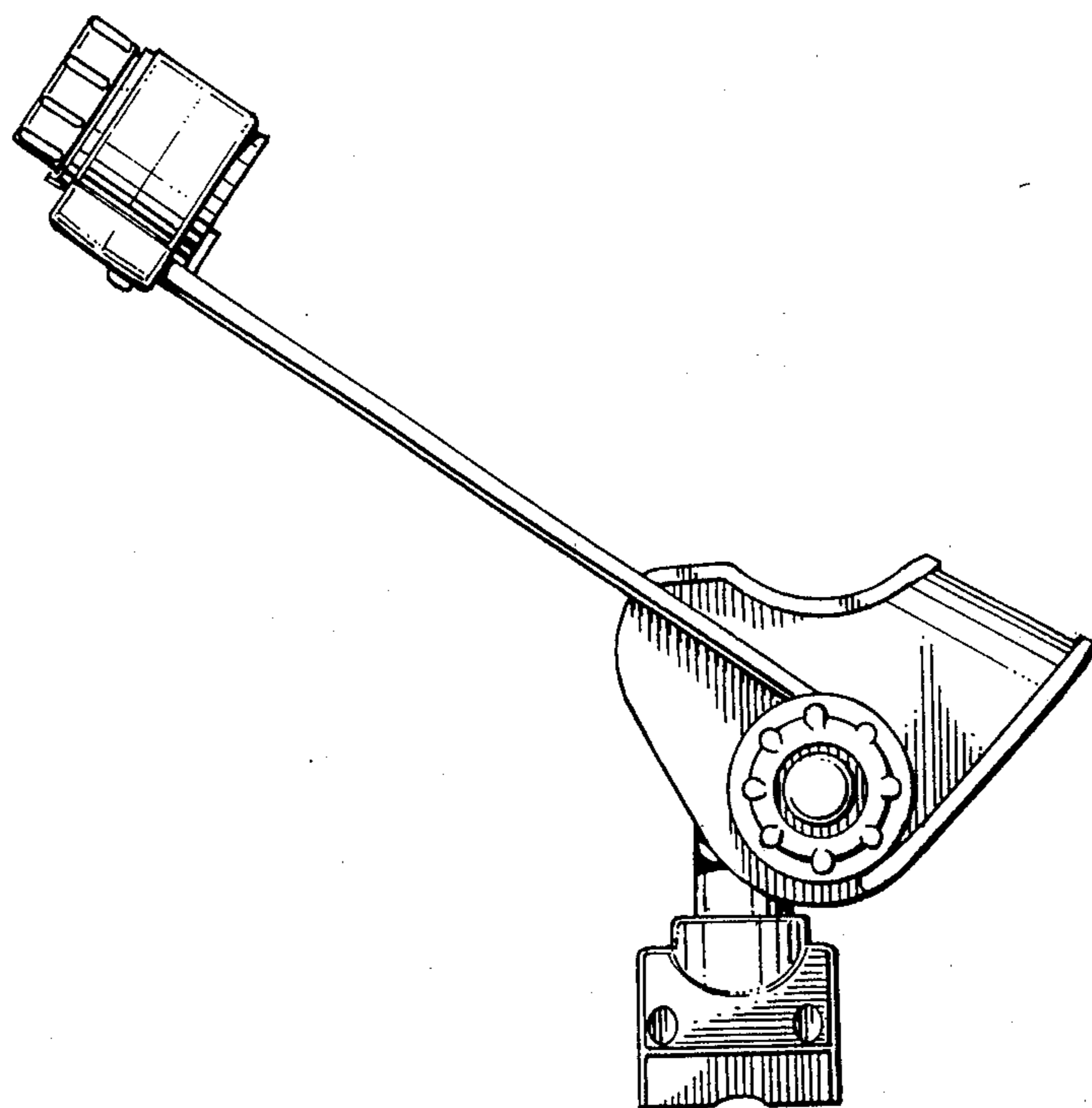


FIG. 3

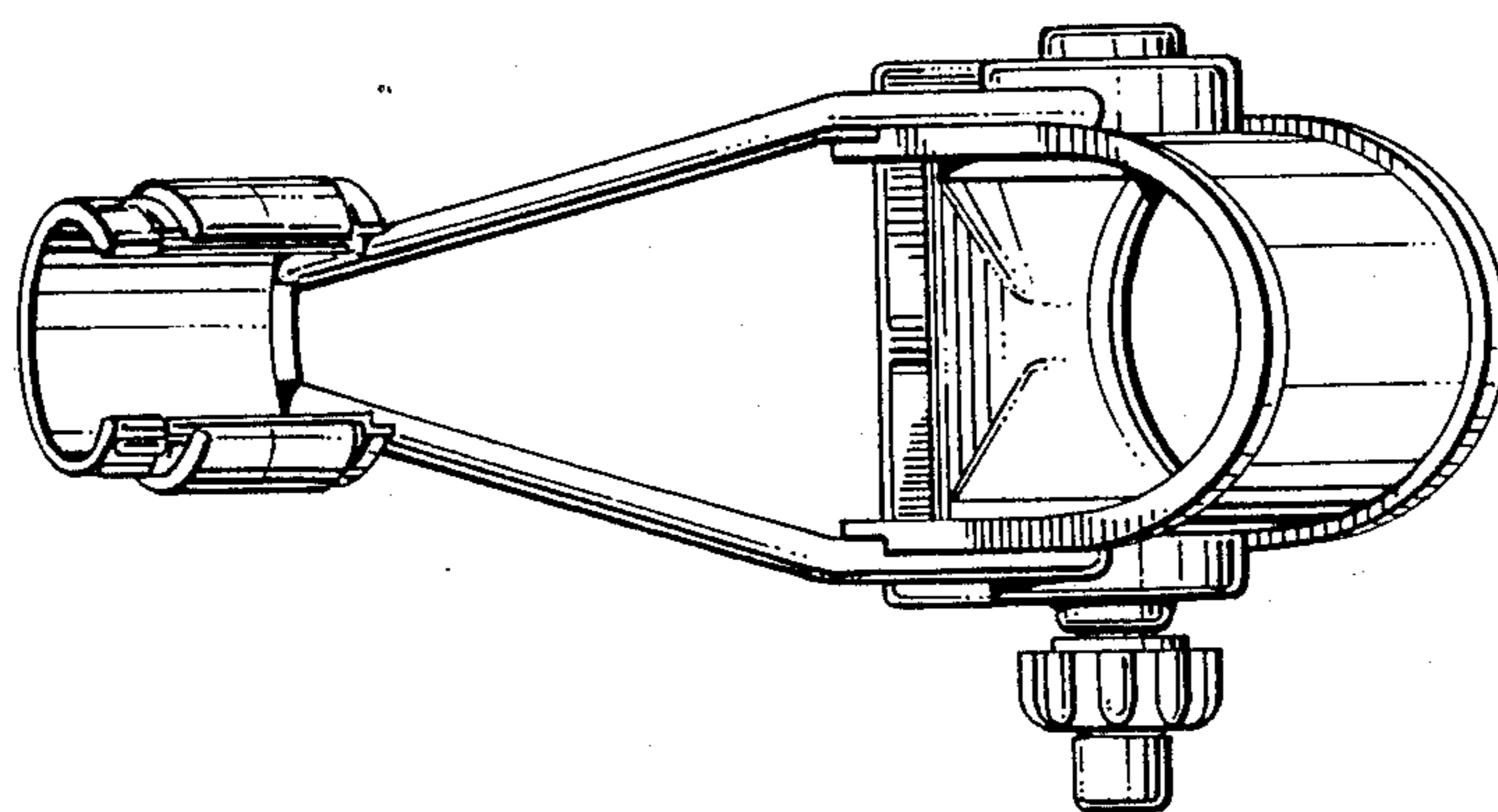


FIG. 4

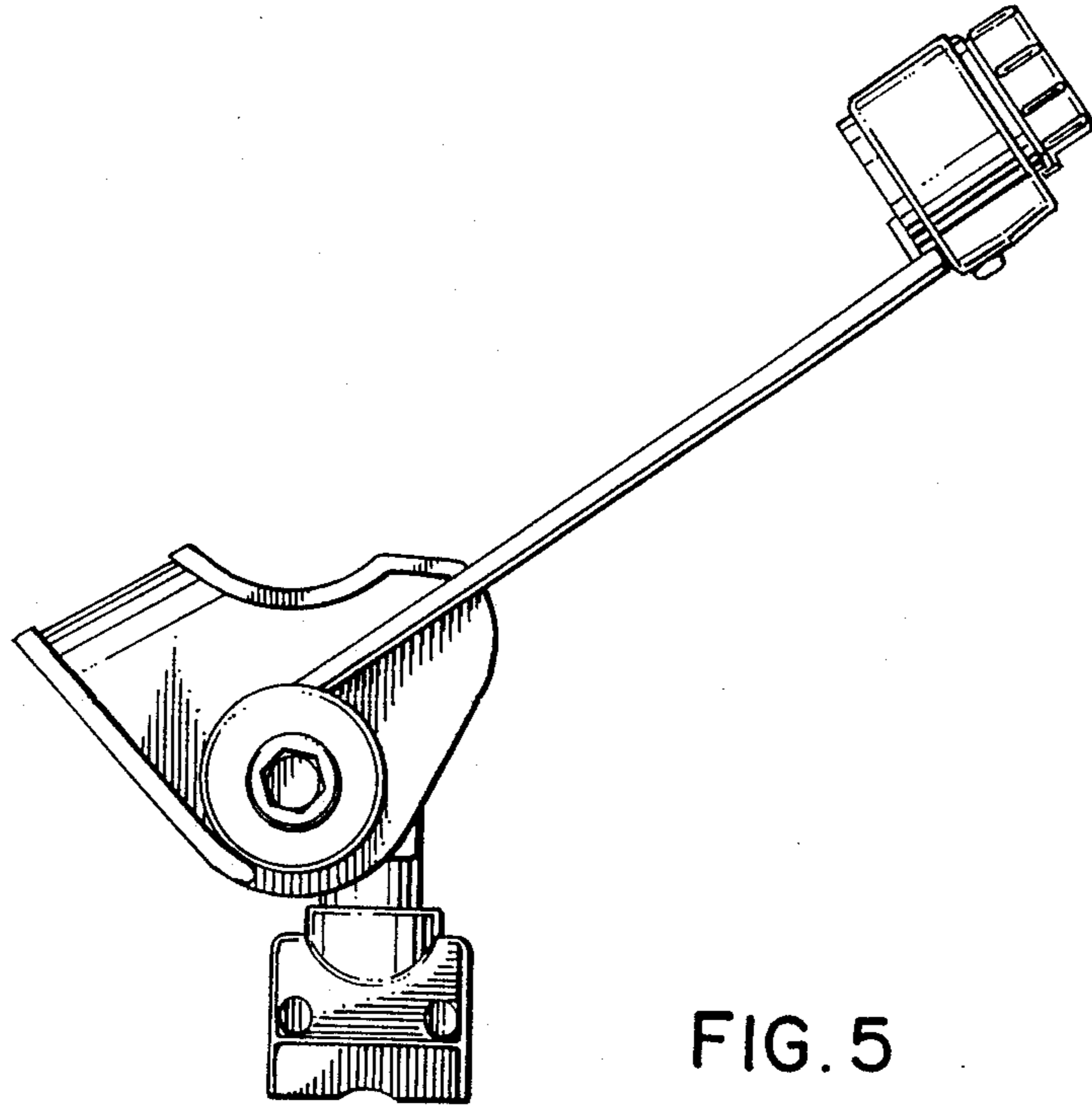


FIG. 5

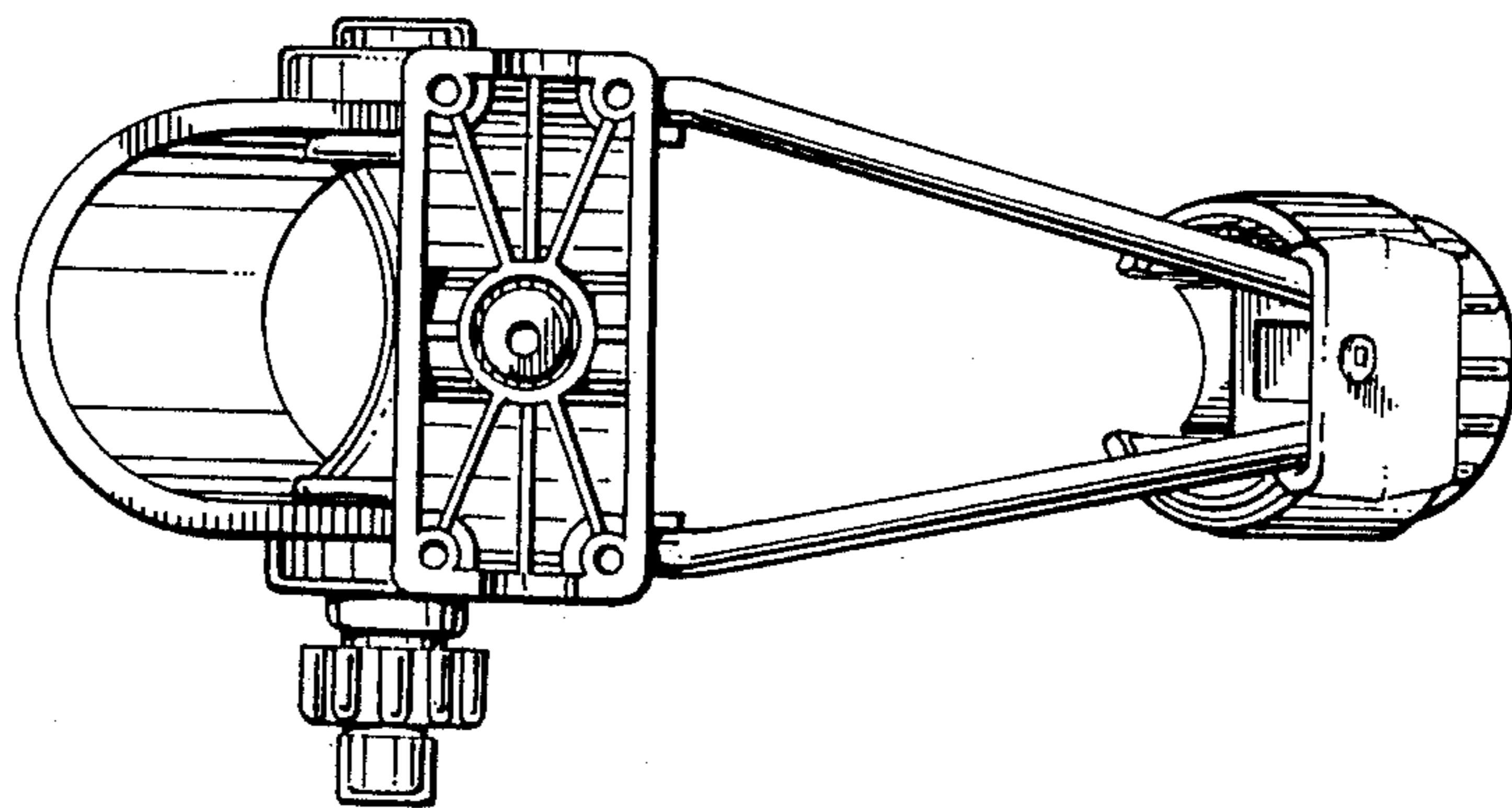


FIG. 6

FIG. 7

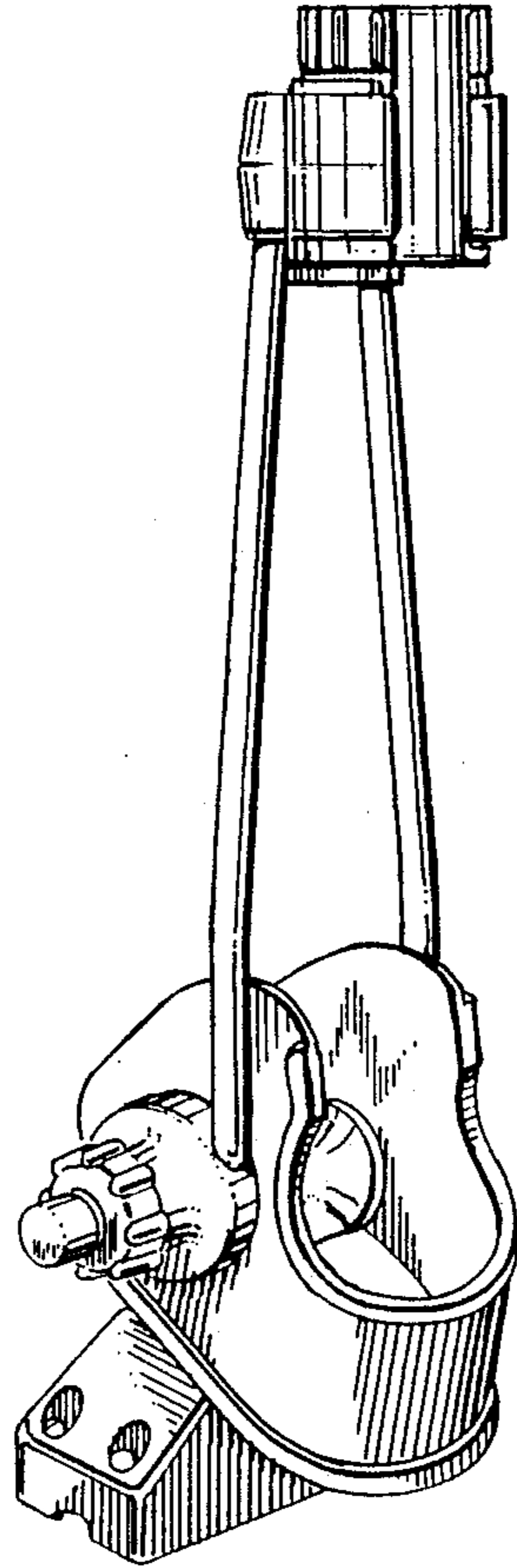


FIG. 8

