

[54] CYCLE EXERCISER

[75] Inventors: James F. Lucas, Auburn; Michael R. Byrd; Bruce F. Coody, both of Opelika, all of Ala.

[73] Assignee: Diversified Products Corporation, Opelika, Ala.

[**] Term: 14 Years

[21] Appl. No.: 289,571

[22] Filed: Dec. 23, 1988

[52] U.S. Cl. D21/194

[58] Field of Search D21/191-199; 272/70.3, 73, 132; 73/379

[56] References Cited

U.S. PATENT DOCUMENTS

D. 292,225	10/1987	Breger	D21/194
D. 293,598	1/1988	Kiiski	D21/194
D. 300,648	4/1989	DeWitt	D21/194
2,238,295	4/1941	Snyder	D21/194
4,188,030	2/1980	Hooper	272/73
4,712,789	12/1987	Brilando	272/73

OTHER PUBLICATIONS

Schwinn Fitness Equipment Catalog, Round 2-1987, "Schwinn Air-Dyne".
 The Sharper Image Catalog, 12-1985, p. 11, "Nordic Exerciser".
 Tailwind II (1988).
 Tailwind (Sears Ad) 1989.
 Panasonic "Pana Plus" (Panasonic Bicycles Catalog—p. 18).
 Vitamaster 79C (1987).
 Heartmate Windracer.
 Healthmaster 410 (#8141) 13-0150 DP Shape Mate 1000.

Primary Examiner—Charles A. Rademaker
 Attorney, Agent, or Firm—Banner, Birch, McKie & Beckett

[57] CLAIM

The ornamental design for a cycle exerciser, as shown and described.

DESCRIPTION

FIG. 1 is a perspective view of a cycle exerciser showing our new design;
 FIG. 2 is a side elevational view thereof, the opposite side being substantially a mirror image thereof;
 FIG. 3 is a top plan view thereof;
 FIG. 4 is a front elevational view thereof; and
 FIG. 5 is a rear elevational view thereof.

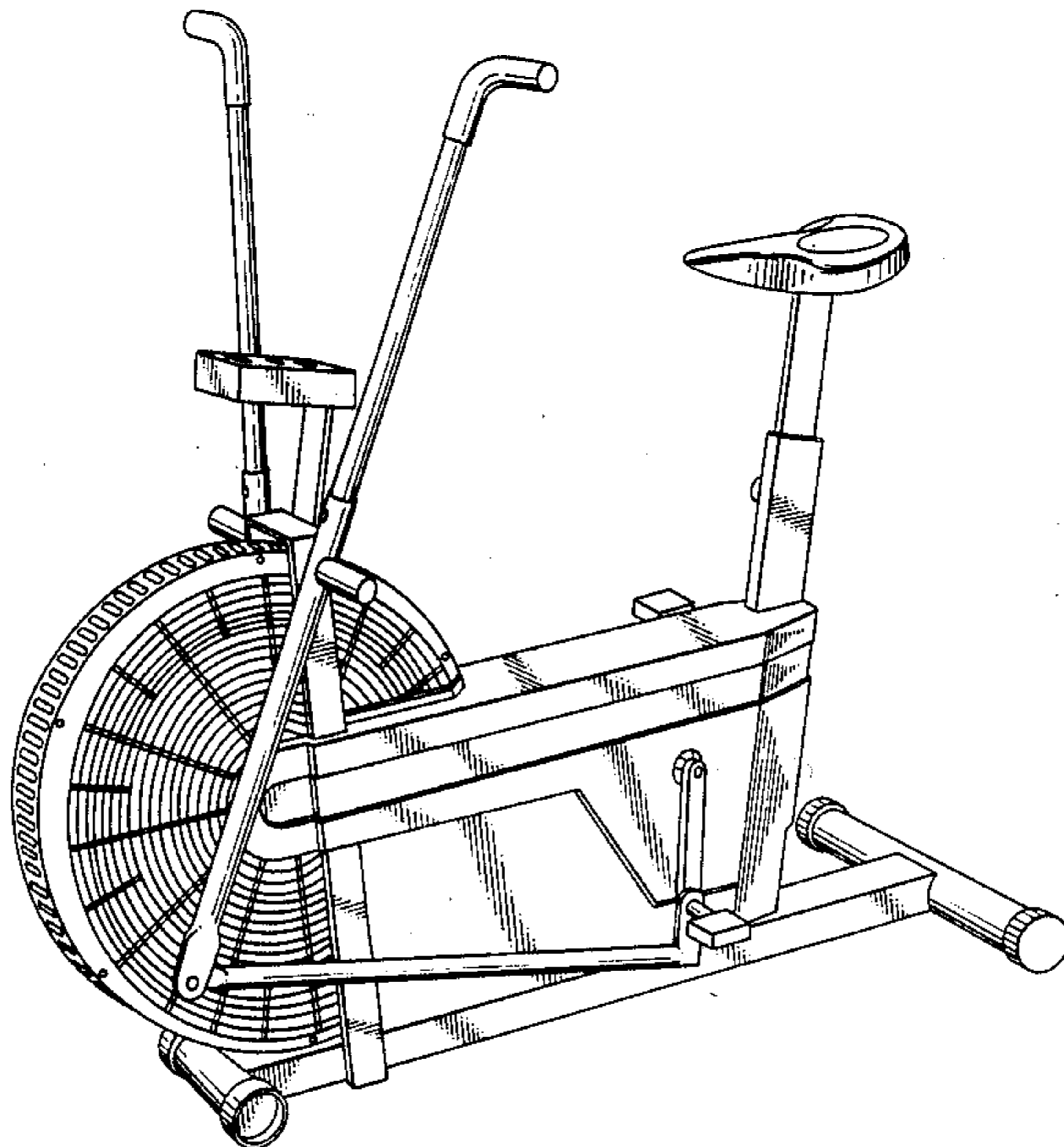


FIG. 1.

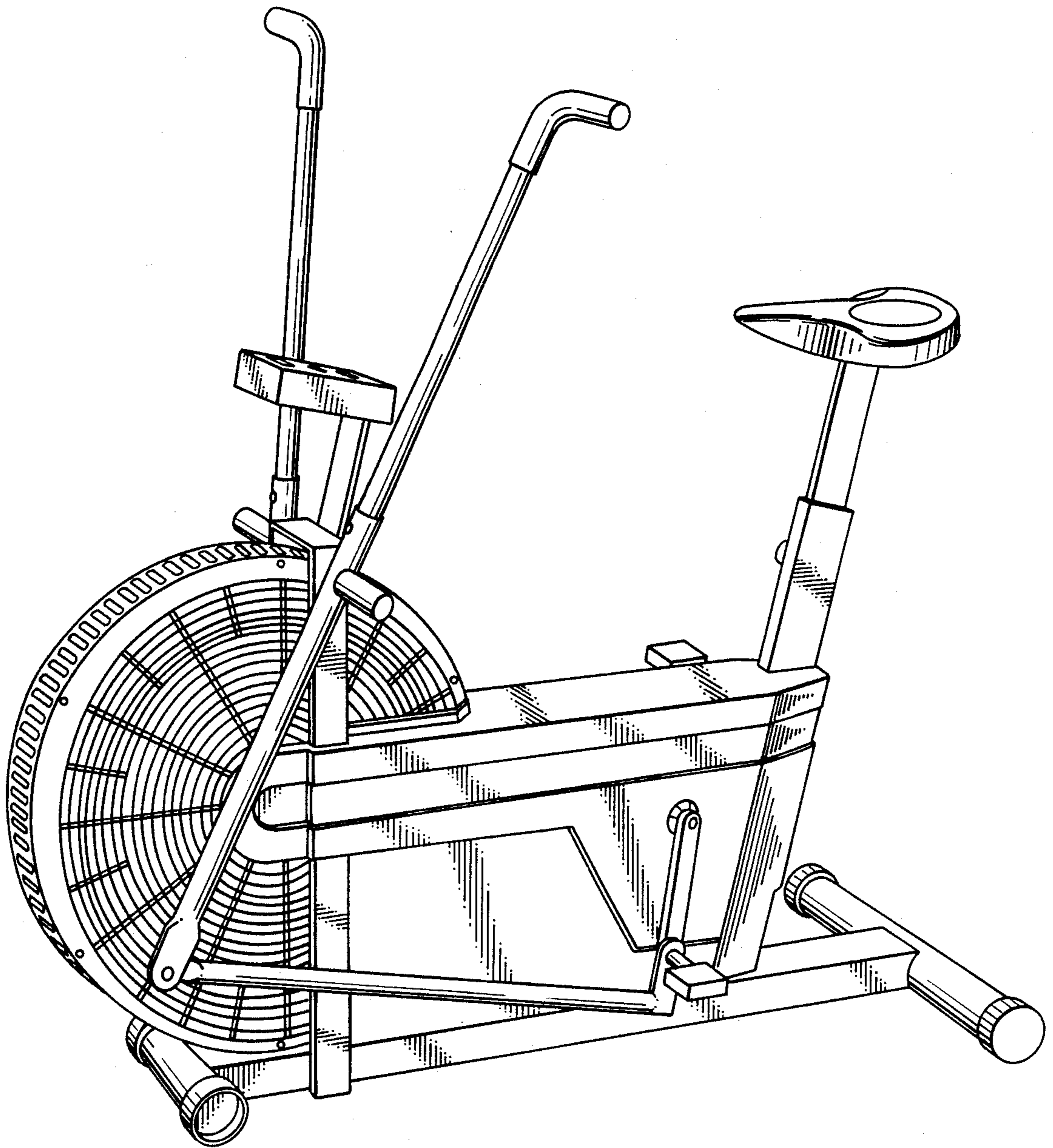


FIG. 2.

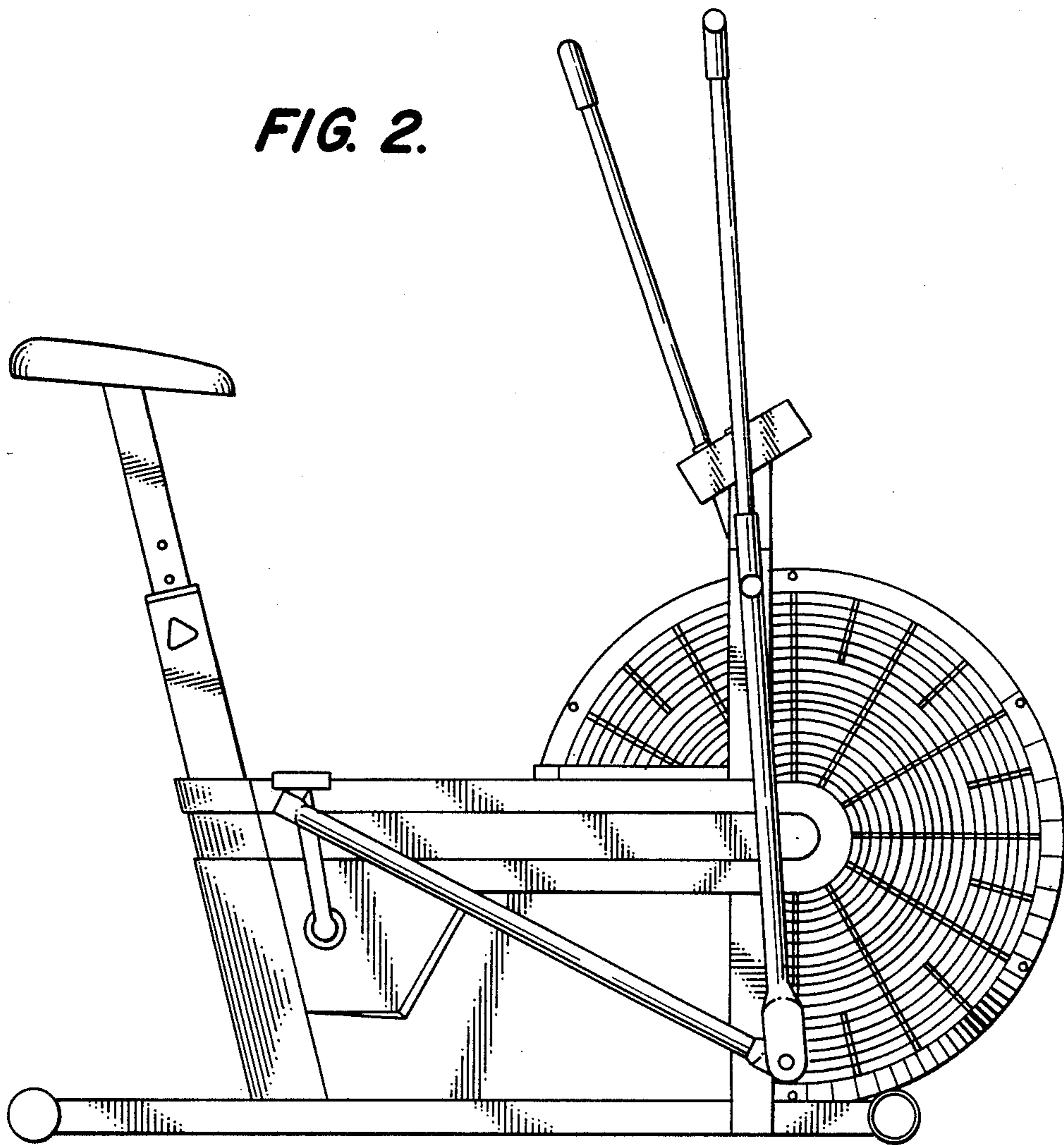


FIG. 3.

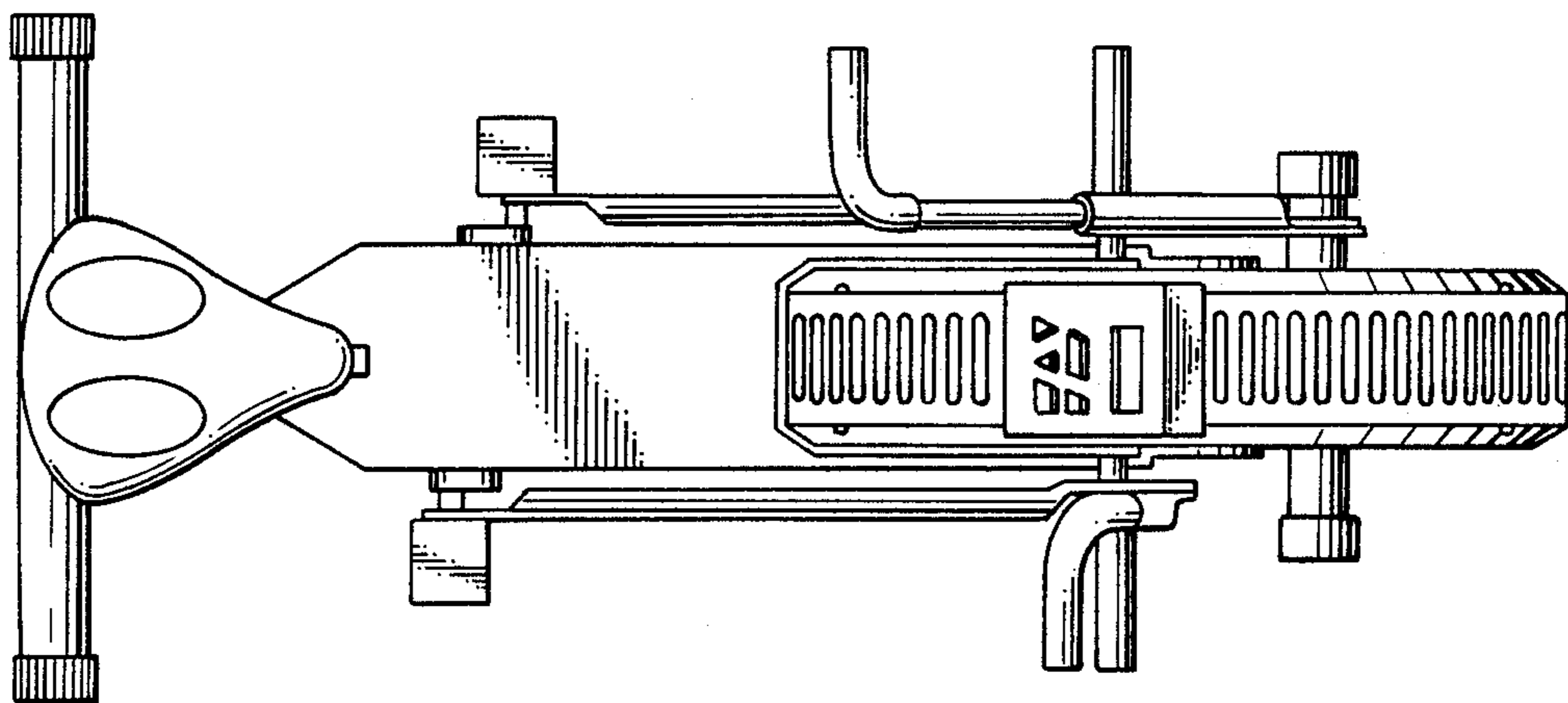


FIG. 5.

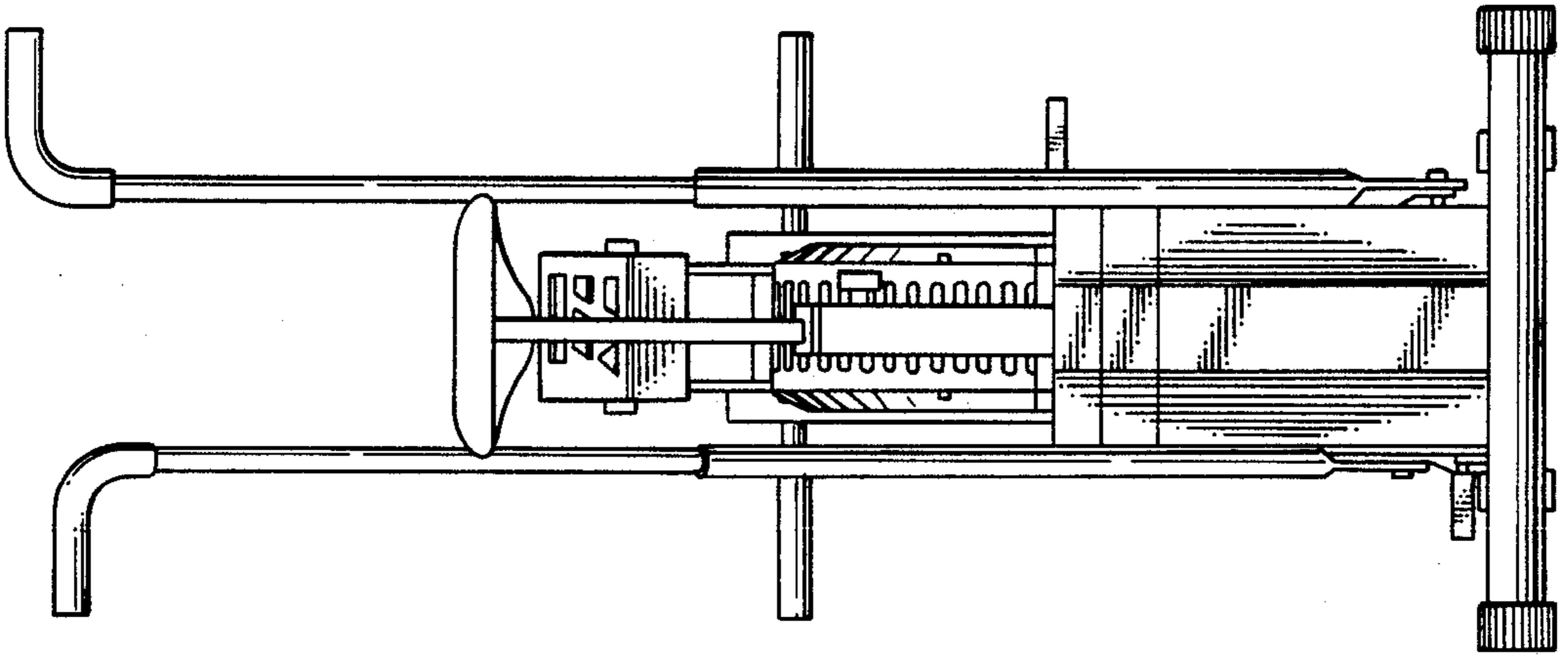


FIG. 4.

