

[54] EXERCISE BIKE

[76] Inventor: Mu-Chyuan Wu, No. 23, Hai-Huan Street, Tainan, Taiwan

[**] Term: 14 Years

[21] Appl. No.: 190,516

[22] Filed: May 5, 1988

[52] U.S. Cl. D21/194

[58] Field of Search D21/191-199; 272/70.3, 132, 73, DIG. 6; 73/379

[56] References Cited

U.S. PATENT DOCUMENTS

- D. 281,520 11/1985 Kiiski D21/194
- D. 283,431 4/1986 Gustafsson D21/194
- D. 285,816 9/1986 Berntsson D21/194
- D. 290,149 6/1987 Nakao et al. D21/194
- D. 292,225 10/1987 Breger D21/194
- D. 293,598 1/1988 Kiiski D21/194
- D. 299,504 1/1989 Hong et al. D21/194

D. 299,732 2/1989 Gustafsson D21/194

OTHER PUBLICATIONS

Sporting Goods Dealer, 8 1982, Universal Fitness ad—Exercise Cycles at bottom of page.

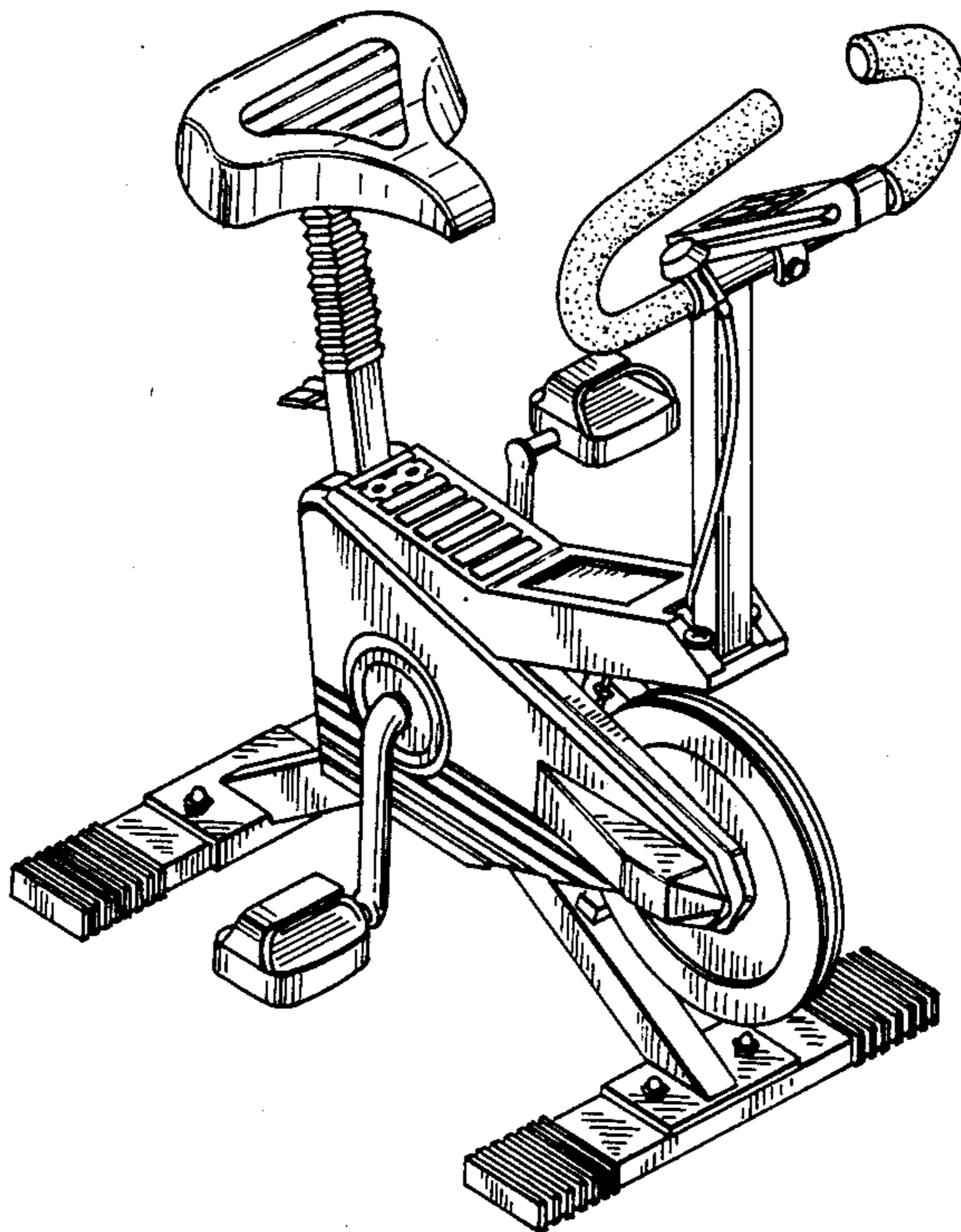
Primary Examiner—Charles A. Rademaker
Attorney, Agent, or Firm—Bacon & Thomas

[57] CLAIM

The ornamental design for an exercise bike, as shown.

DESCRIPTION

FIG. 1 is a front perspective view of an exercise bike showing my new design;
 FIG. 2 is a front elevational view thereof;
 FIG. 3 is a rear elevational view thereof;
 FIG. 4 is a side elevational view thereof;
 FIG. 5 is an elevational view of the side opposite that shown in FIG. 4;
 FIG. 6 is a top plan view thereof; and,
 FIG. 7 is a bottom plan view thereof.



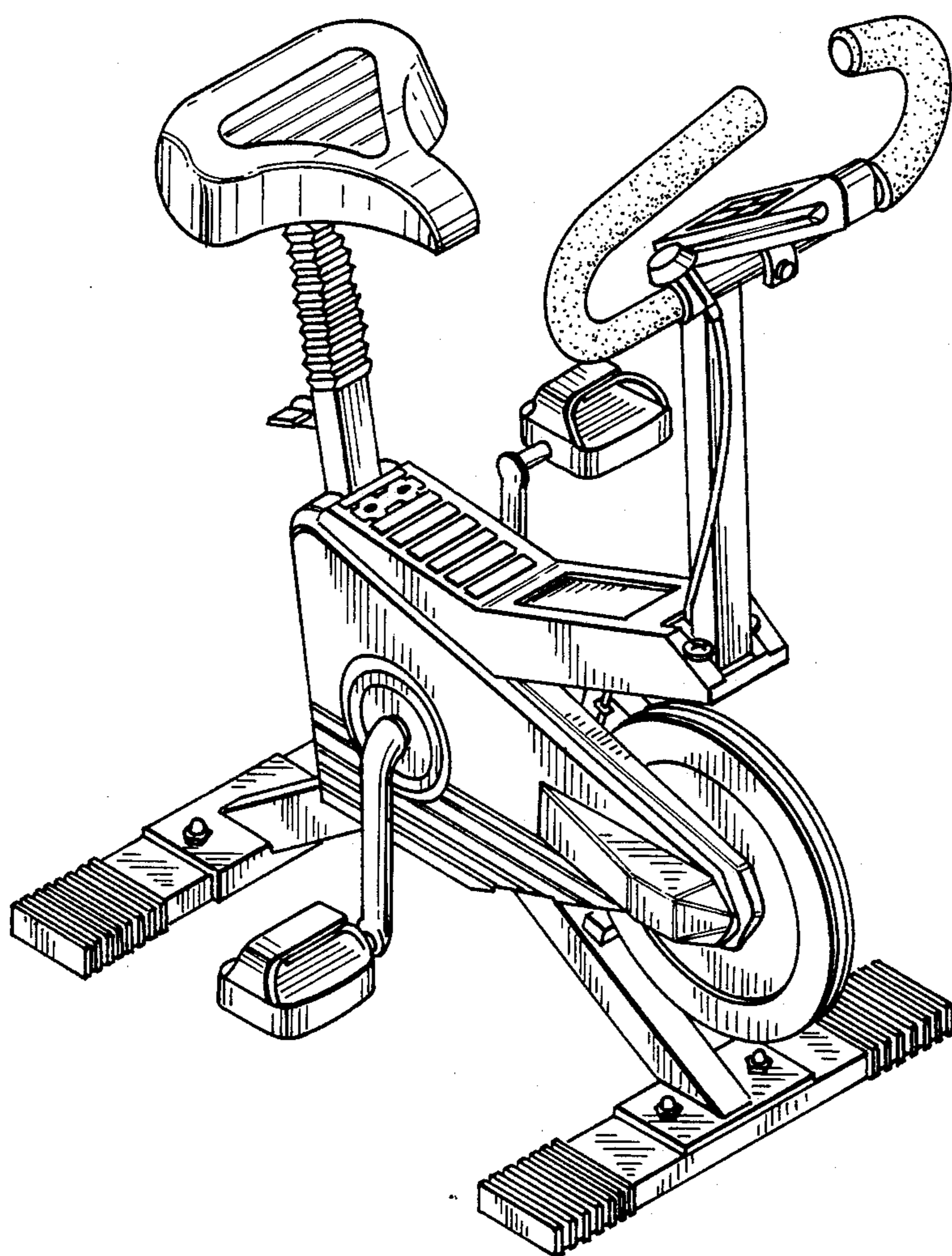


FIG. 1

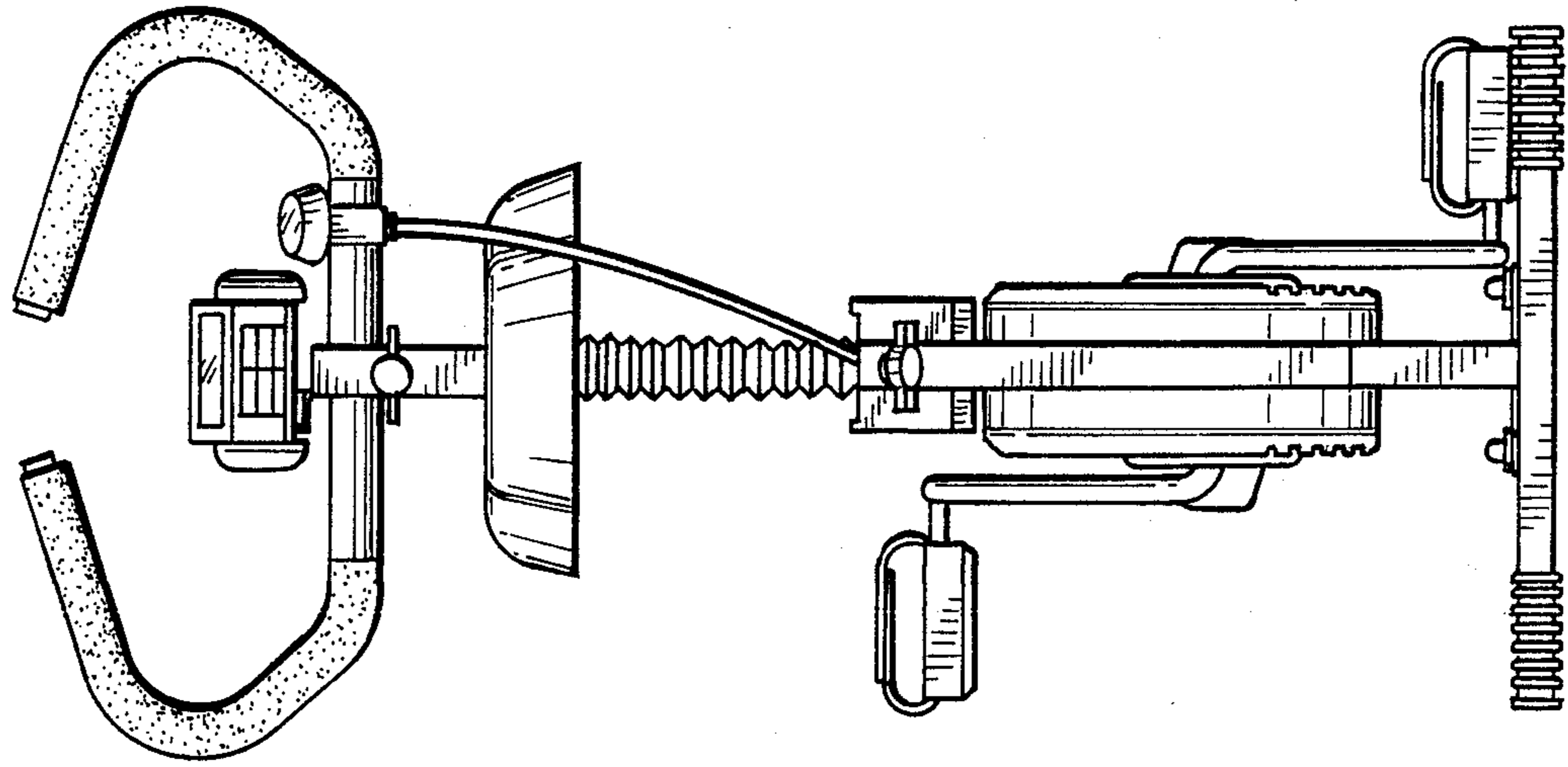


FIG. 3

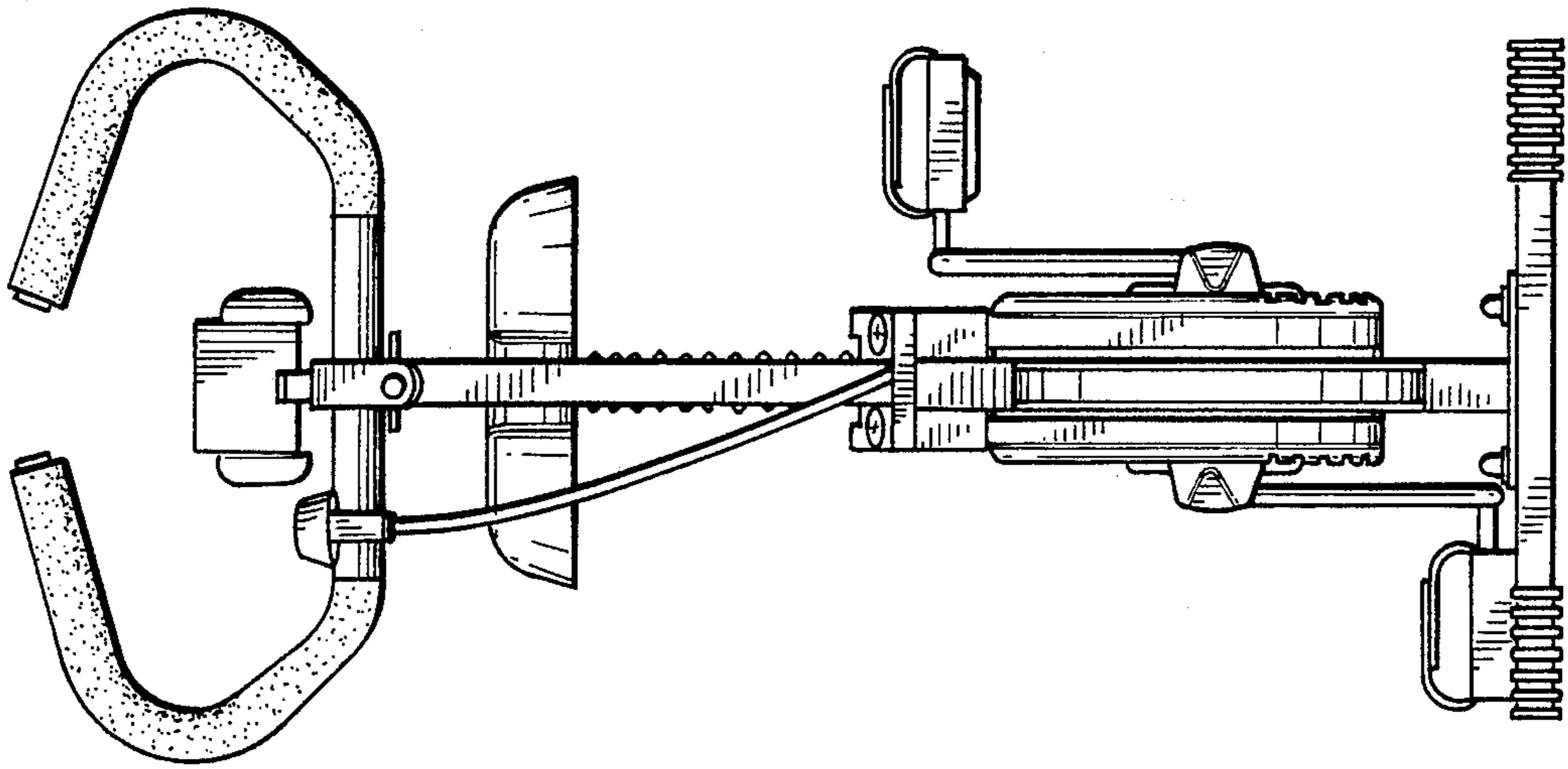


FIG. 2

FIG. 5

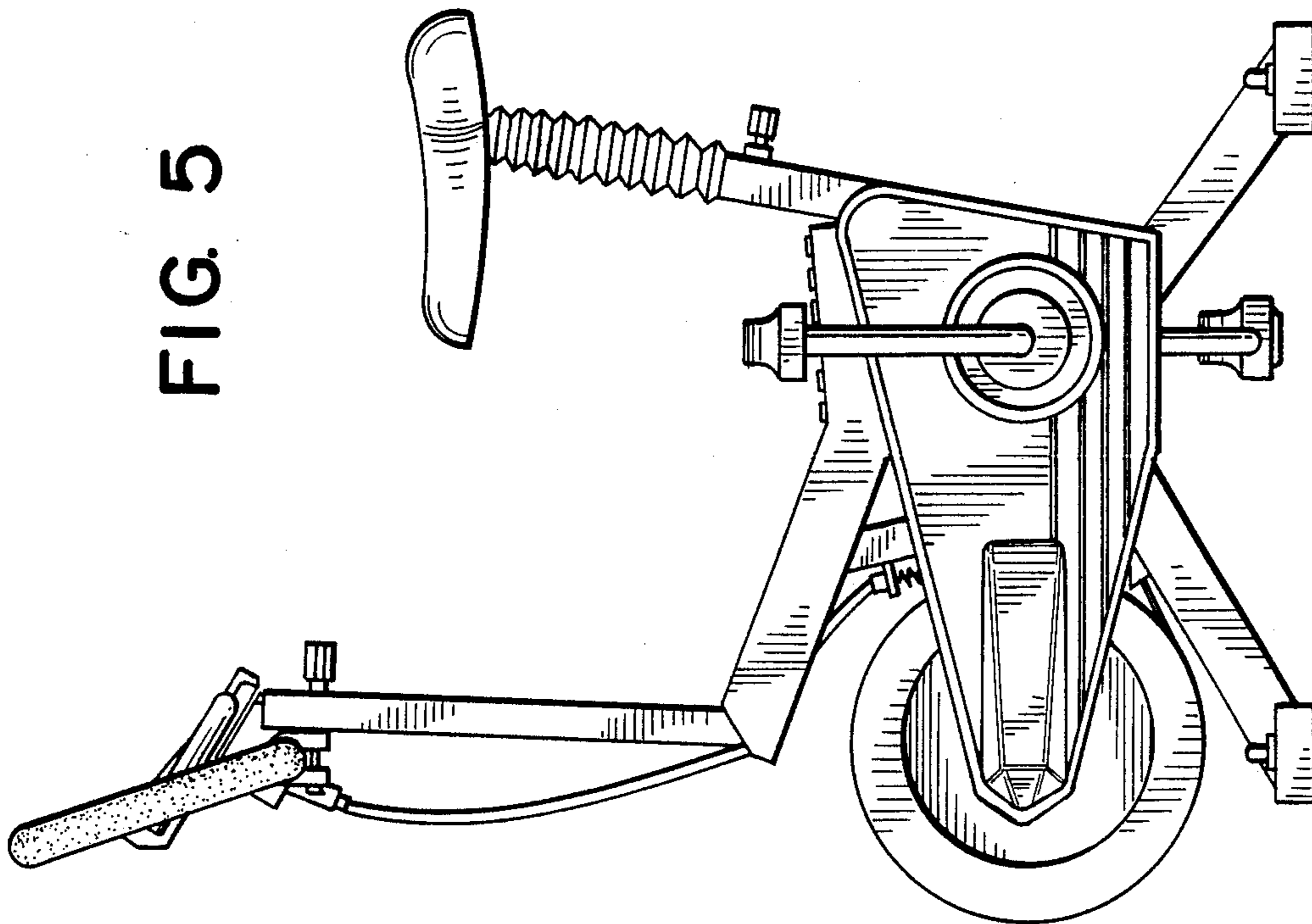
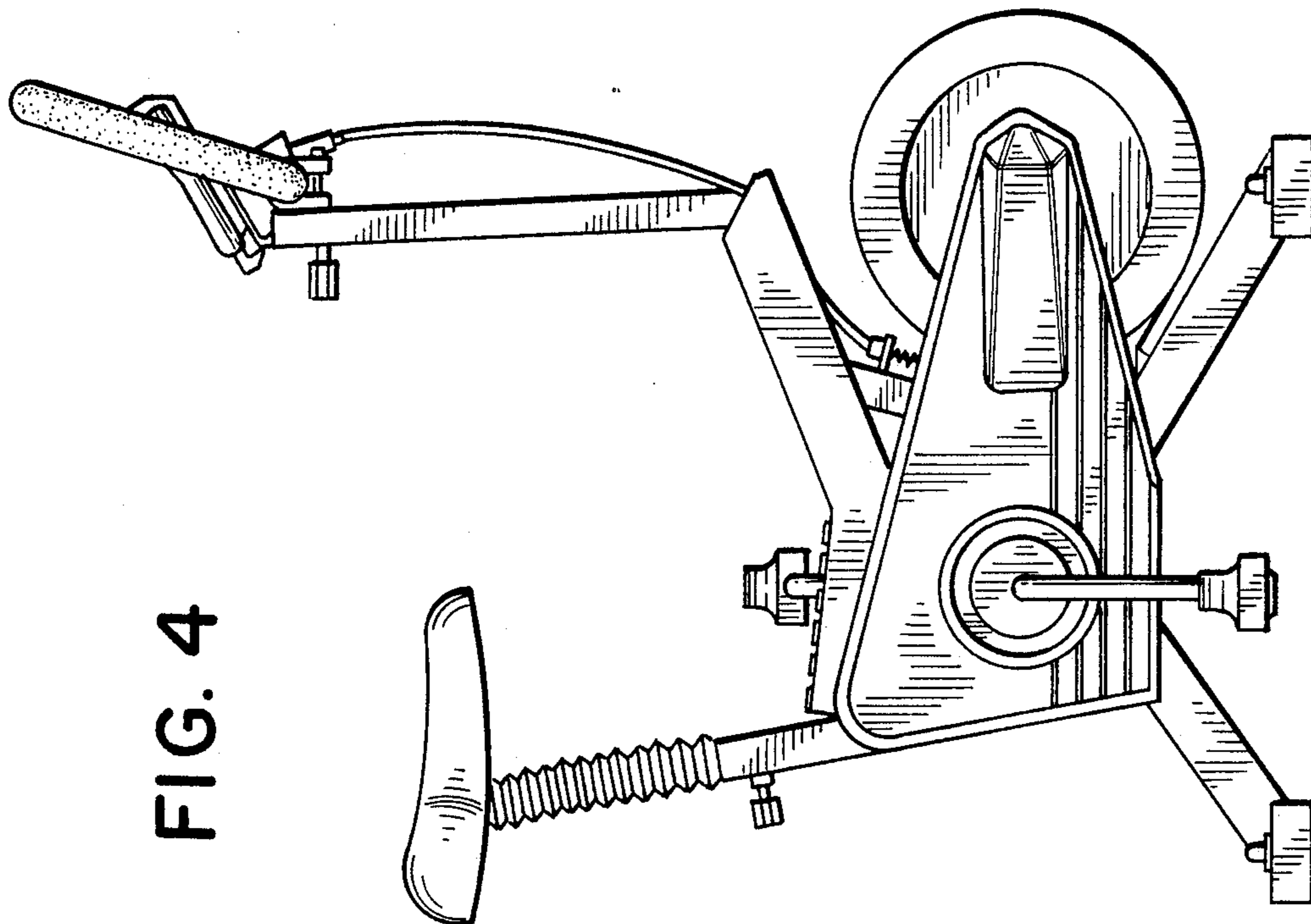


FIG. 4



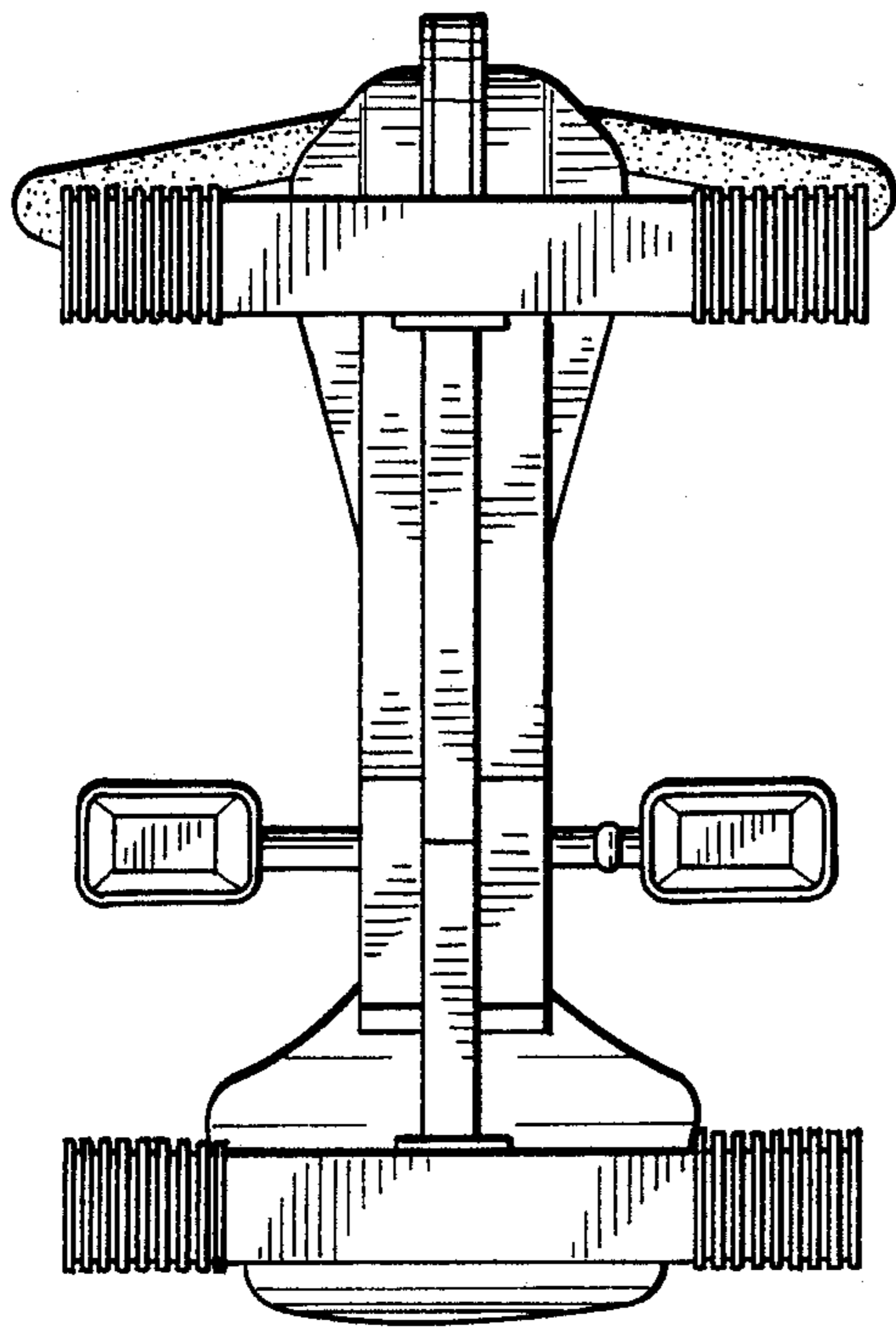


FIG. 7

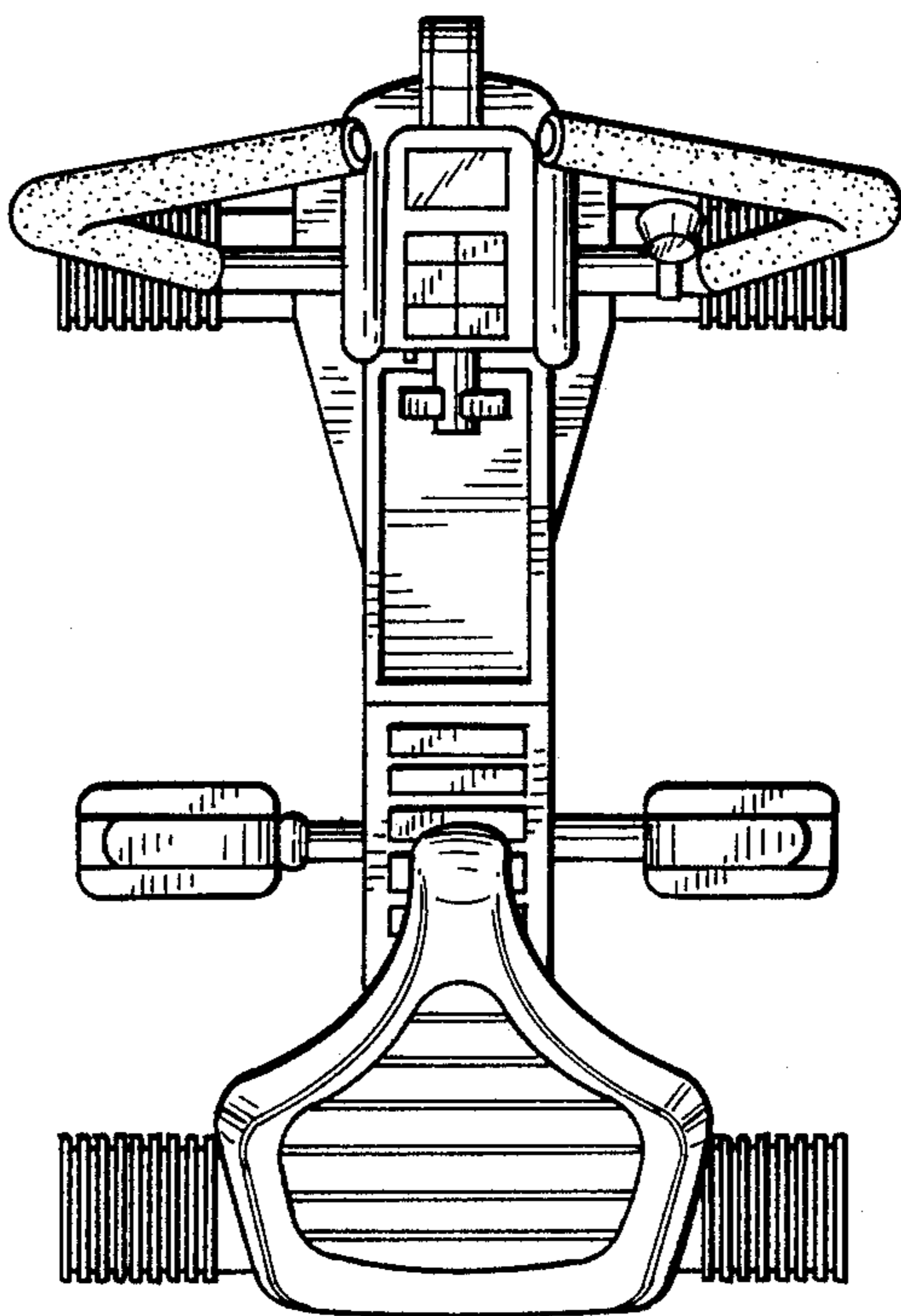


FIG. 6