

[54] TOY GLIDER

[75] Inventor: Ricky A. Trantham, Montague, Calif.

[73] Assignee: O. J. LeBaron, Yreka, Calif.

[**] Term: 14 Years

[21] Appl. No.: 168,343

[22] Filed: Mar. 14, 1988

[52] U.S. Cl. D21/89

[58] Field of Search D21/82, 88, 89, 90;
244/153, 154, 155; 446/61-68

[56] References Cited

U.S. PATENT DOCUMENTS

- D. 207,061 2/1967 Wallace D21/89
- D. 230,290 2/1974 Fields D21/89

D. 262,729 1/1982 Barrett D21/89

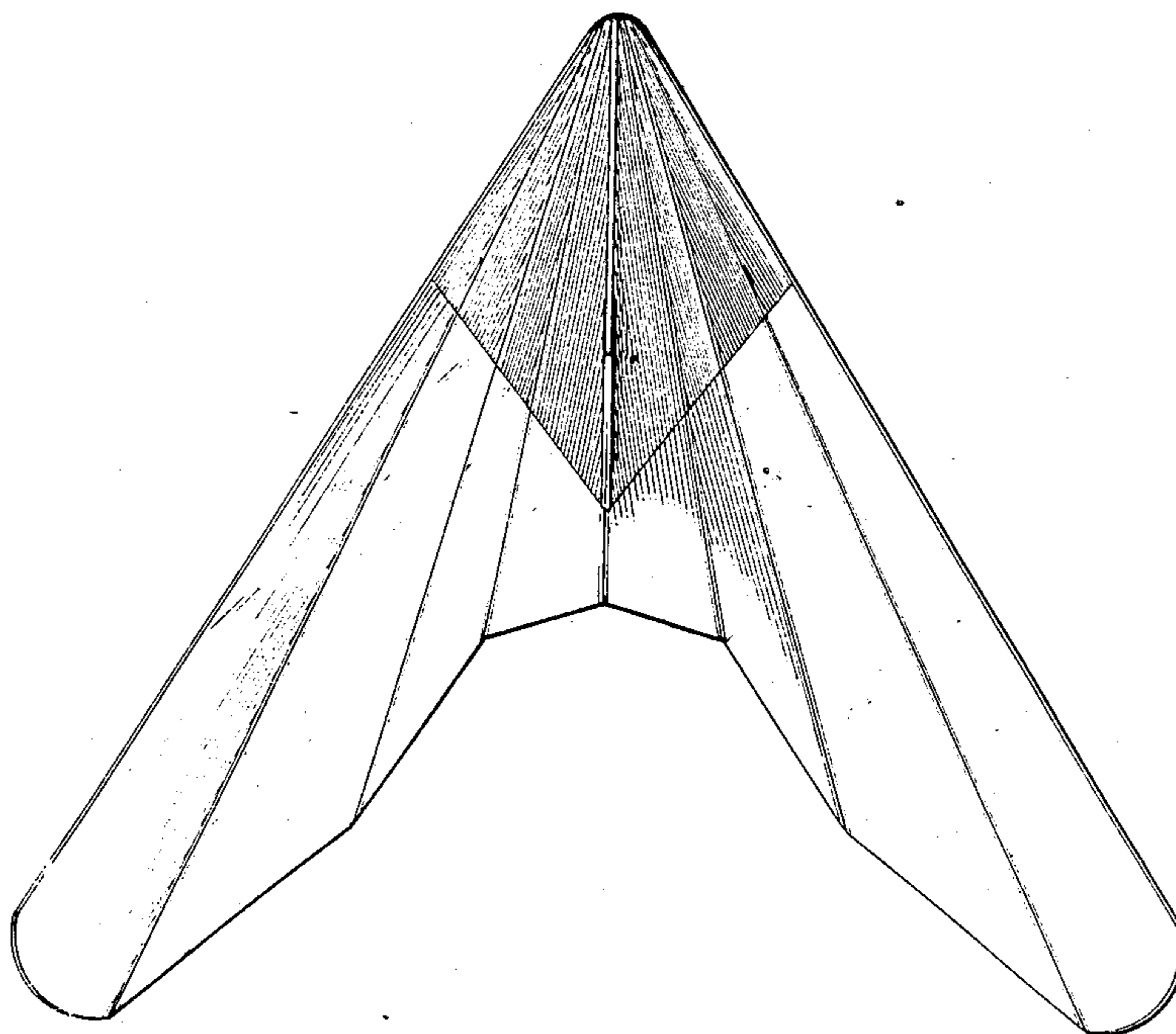
Primary Examiner—Charles A. Rademaker
Attorney, Agent, or Firm—Lothrop & West

[57] CLAIM

The ornamental design for a toy glider, as shown and described.

DESCRIPTION

FIG. 1 is a perspective view, taken from the underside of a toy glider, showing my new design;
 FIG. 2 is a bottom plan view, thereof;
 FIG. 3 is a top plan view, thereof;
 FIG. 4 is an elevational view of one side, the opposite side elevational view being substantially a mirror image, thereof;
 FIG. 5 is a front elevational view, thereof; and,
 FIG. 6 is a rear elevational view, thereof.



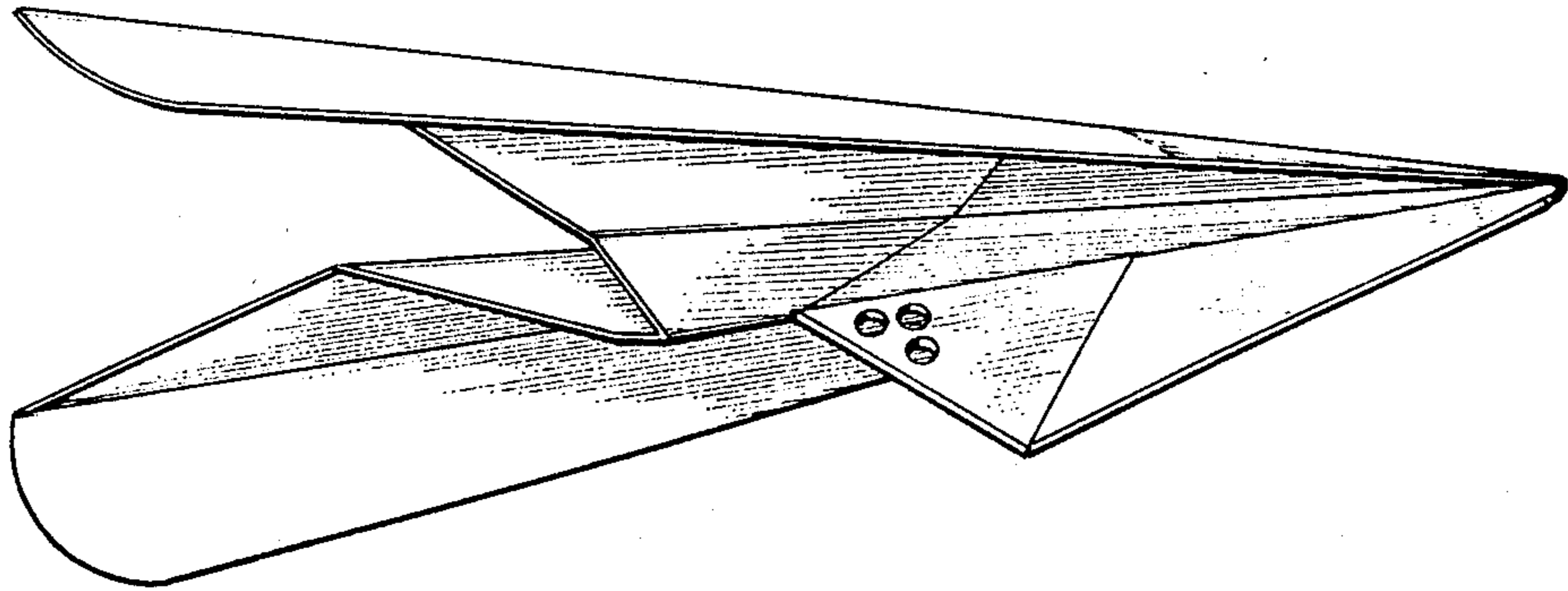


FIG-1

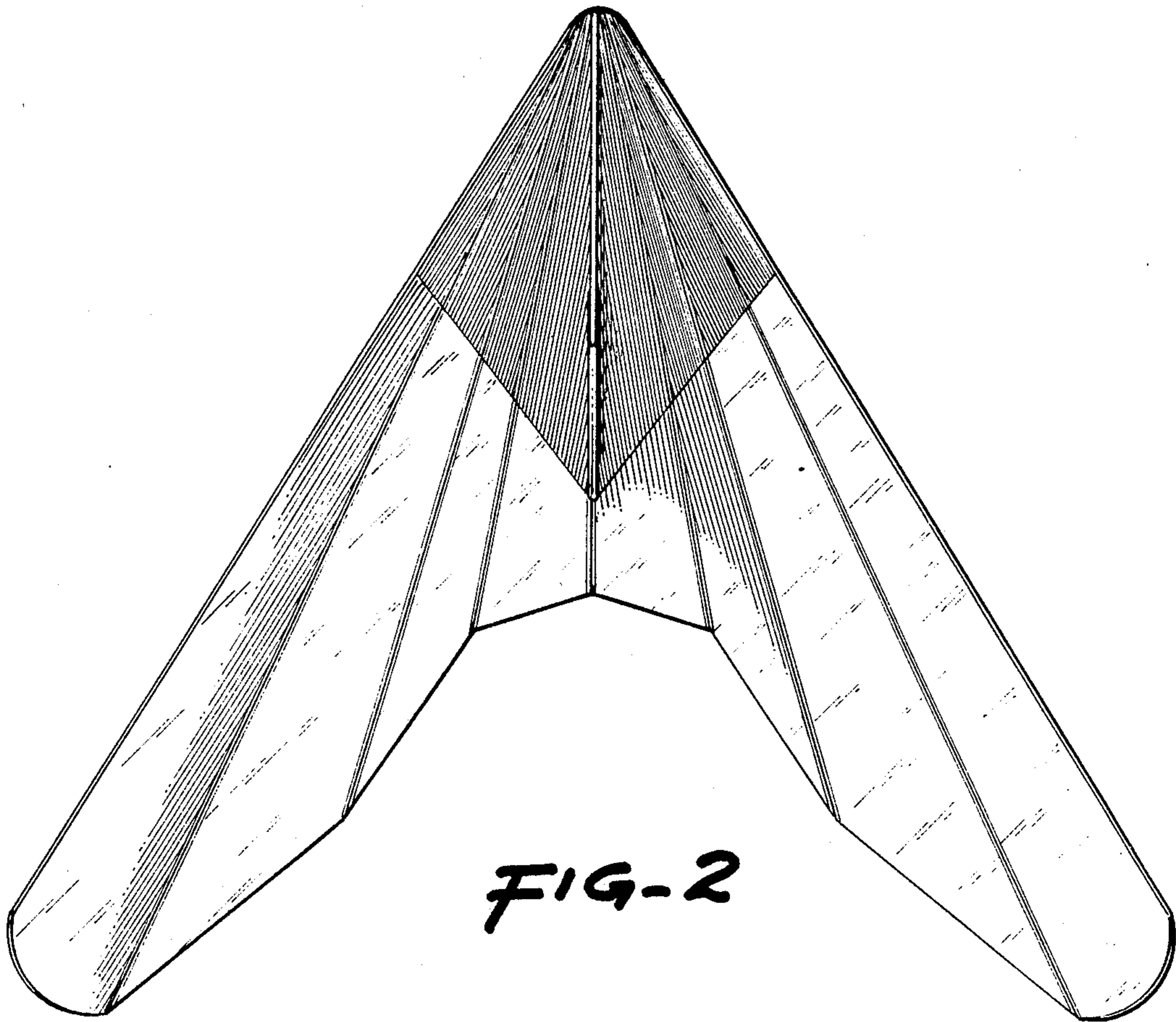


FIG-2

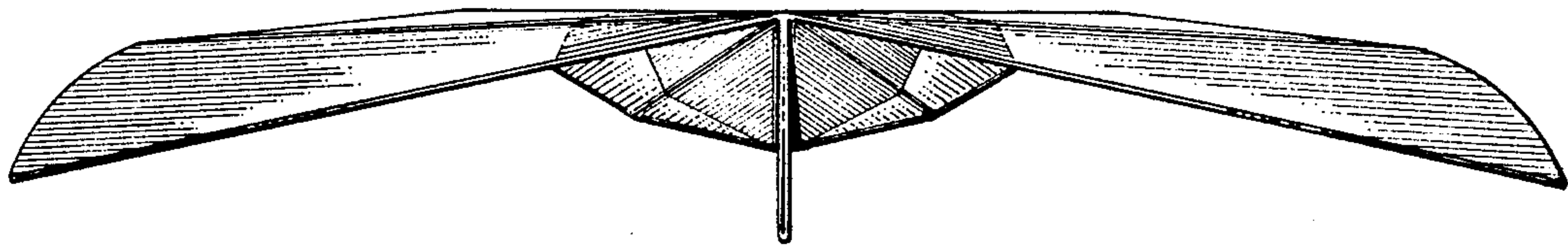


FIG-5

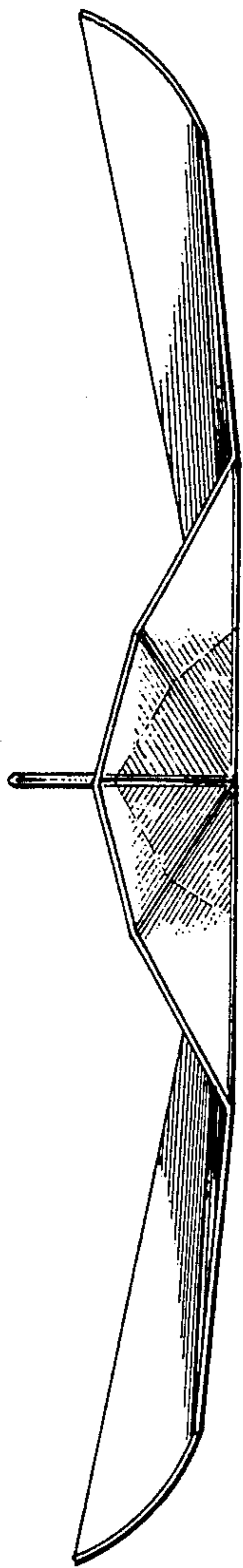


FIG-6

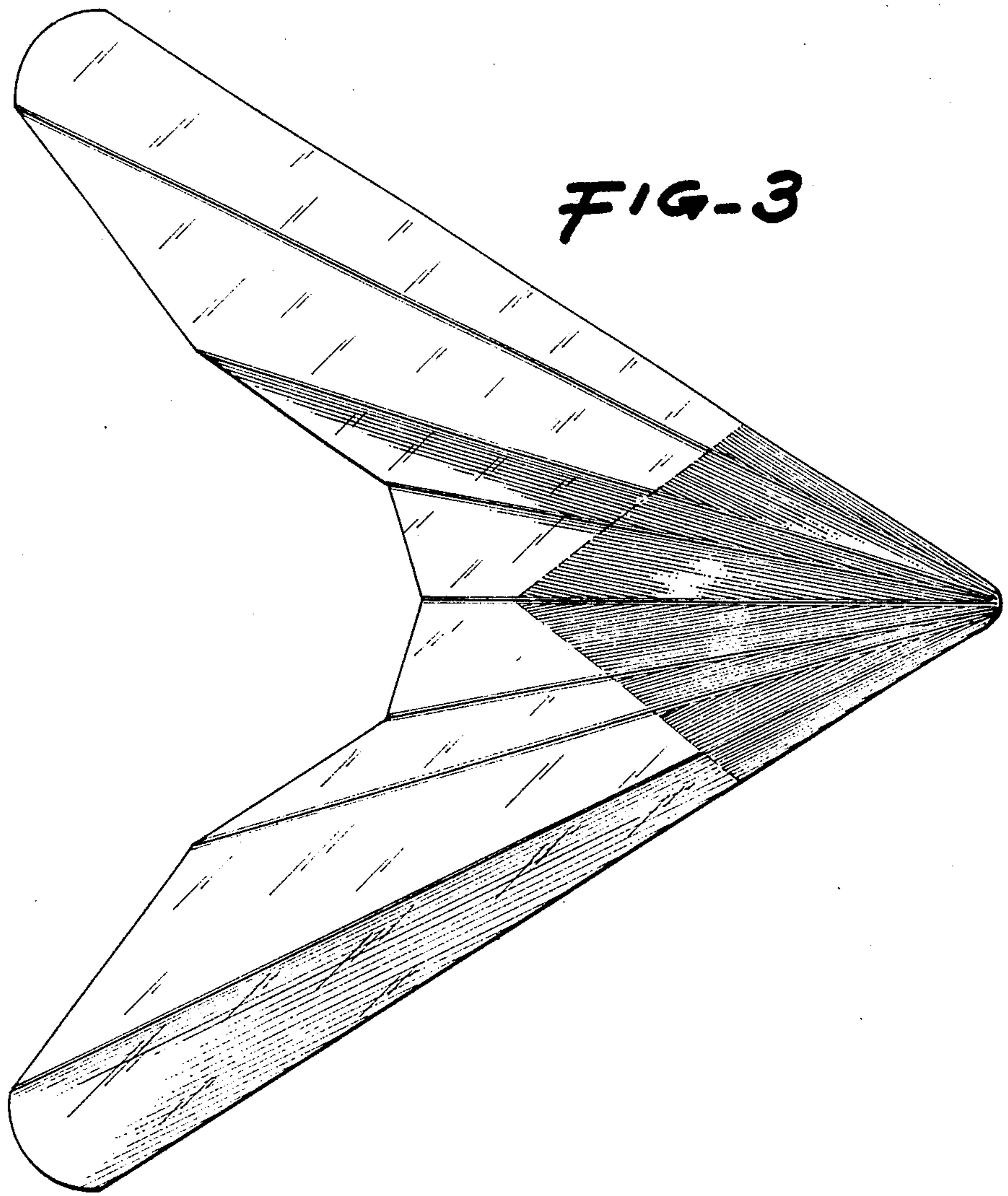


FIG-3

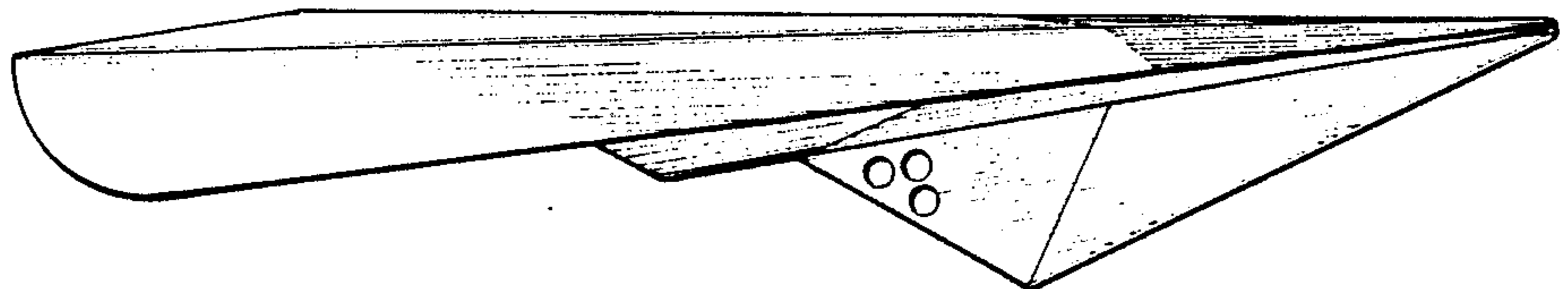


FIG-4