

[54] LETTER ORGANIZER FILE

[75] Inventors: Kenneth C. Foran, Wooster; Thomas J. David, Worthington, both of Ohio

[73] Assignee: Rubbermaid Incorporated, Wooster, Ohio

[\*\*] Term: 14 Years

[21] Appl. No.: 894,242

[22] Filed: Aug. 7, 1986

[52] U.S. Cl. .... D19/90; D19/75; D19/86

[58] Field of Search ..... D19/65, 75, 86, 90, D19/91; D6/466, 467, 468, 469, 407; D7/74; 206/214, 387, 425; 211/10, 11, 60, 12, 40, 69.1, 126

[56] References Cited

U.S. PATENT DOCUMENTS

4,128,175 12/1978 Schweizer ..... 211/40

OTHER PUBLICATIONS

U.S. Government Office Furnishings & Supply Catalog ©1981, p. 44, see file #4BR-PW lower center.

Adcom, Inc. vol. 7 ©1984, p. 216, see triangle, left center (Kum).

Rubbermaid Catalog p. 8, Rubbermaid Commercial

Products Inc., 3124 Valley Avenue, Winchester, VA 22601, published 1985.

Eldon Catalog p. 1, Eldon Office Products, 130 East 238th Street, Carson CA 90745, published 1985.

Sterling Catalog Sheet, Sterling Plastics, Sheffield St., Mountainside NJ 07092, publication date: unknown.

Primary Examiner—Carmen H. Vales-Lado

Assistant Examiner—Martha Thompson

Attorney, Agent, or Firm—Richard B. O’Planick

[57] CLAIM

The ornamental design for a letter organizer file, as shown and described.

DESCRIPTION

FIG. 1 is a front perspective view of a letter organizer file showing our new design;

FIG. 2 is a top plan view on an enlarged scale;

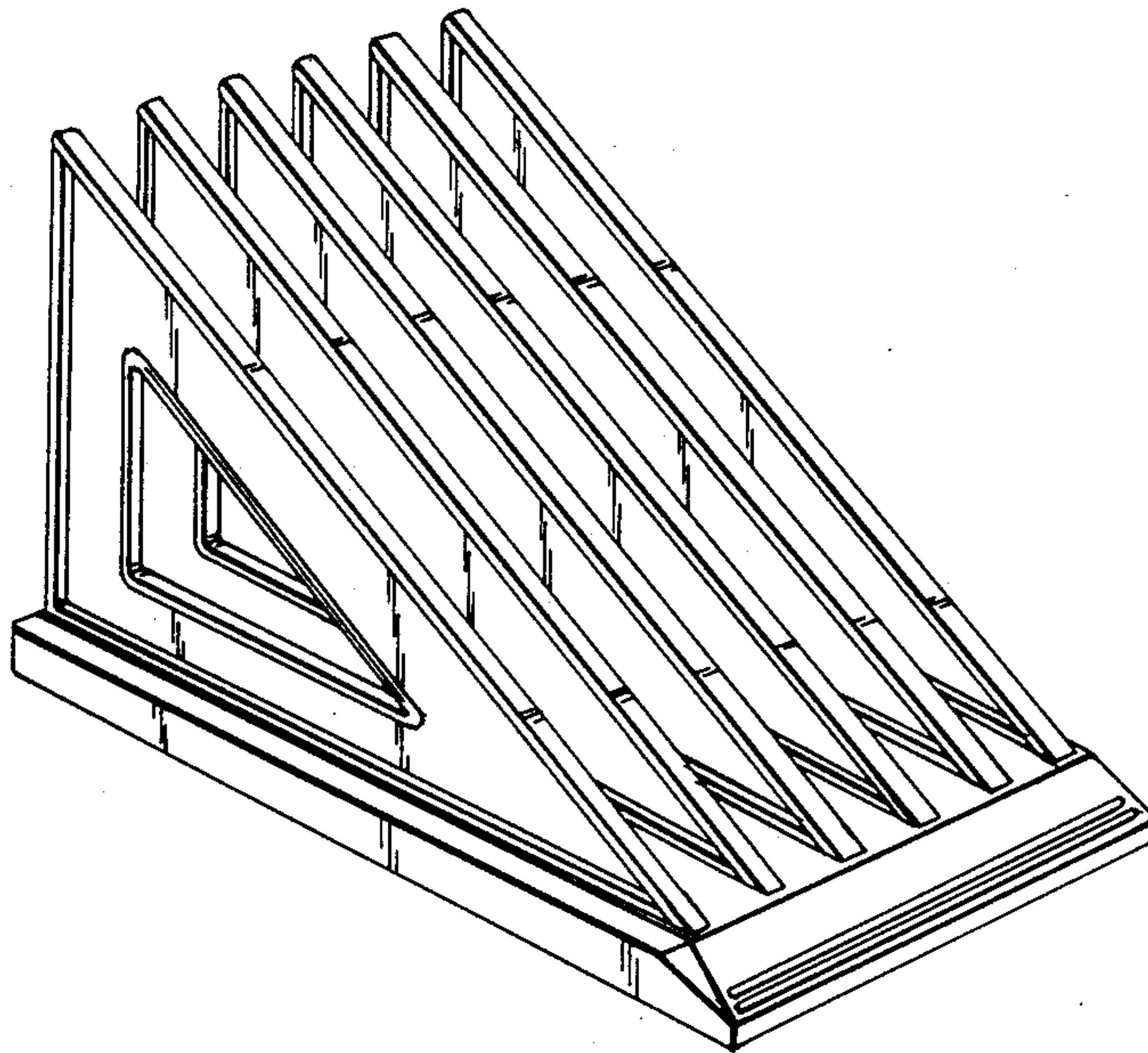
FIG. 3 is a front elevational view of FIG. 2;

FIG. 4 is a side elevational view of FIG. 2;

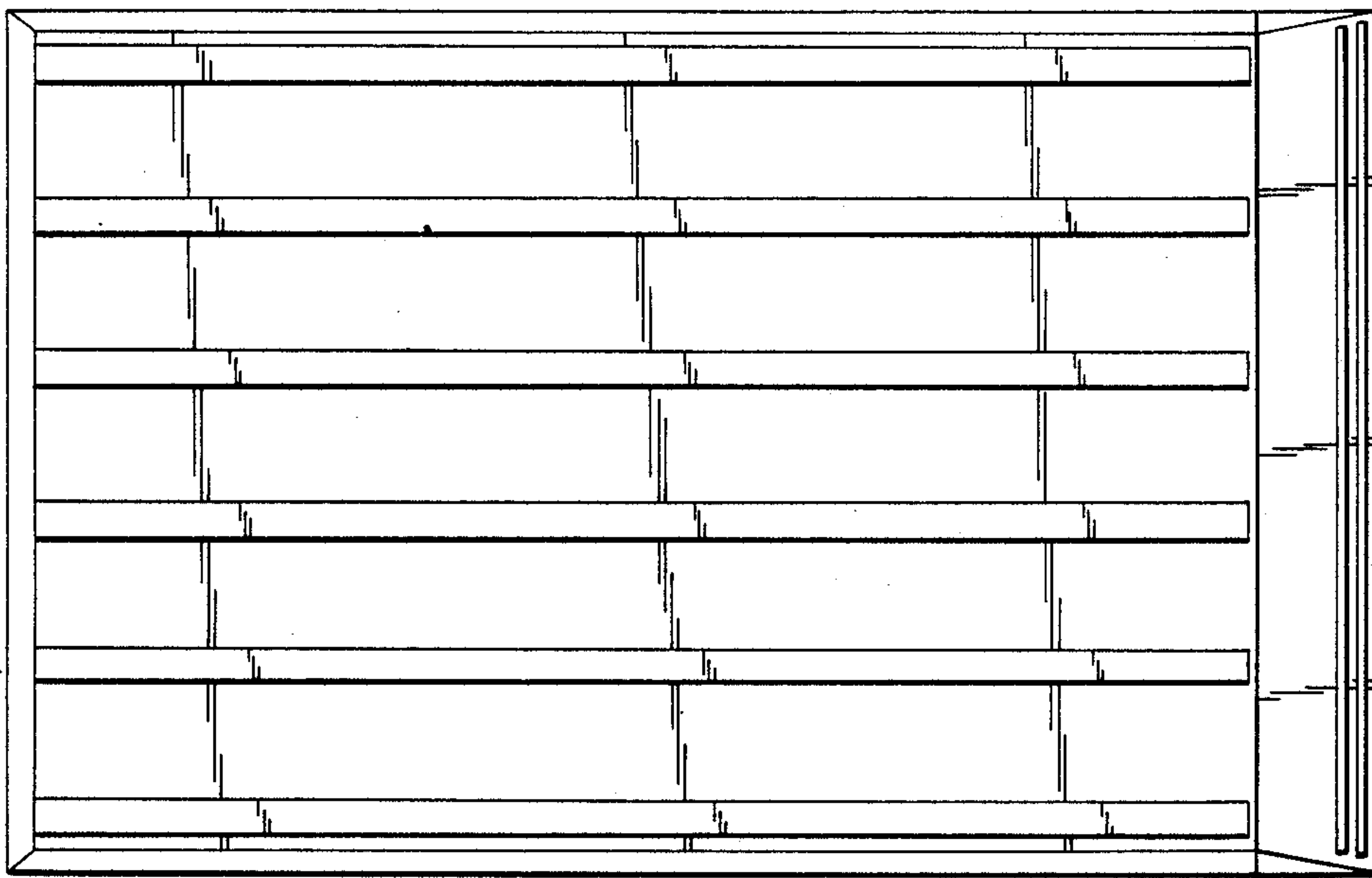
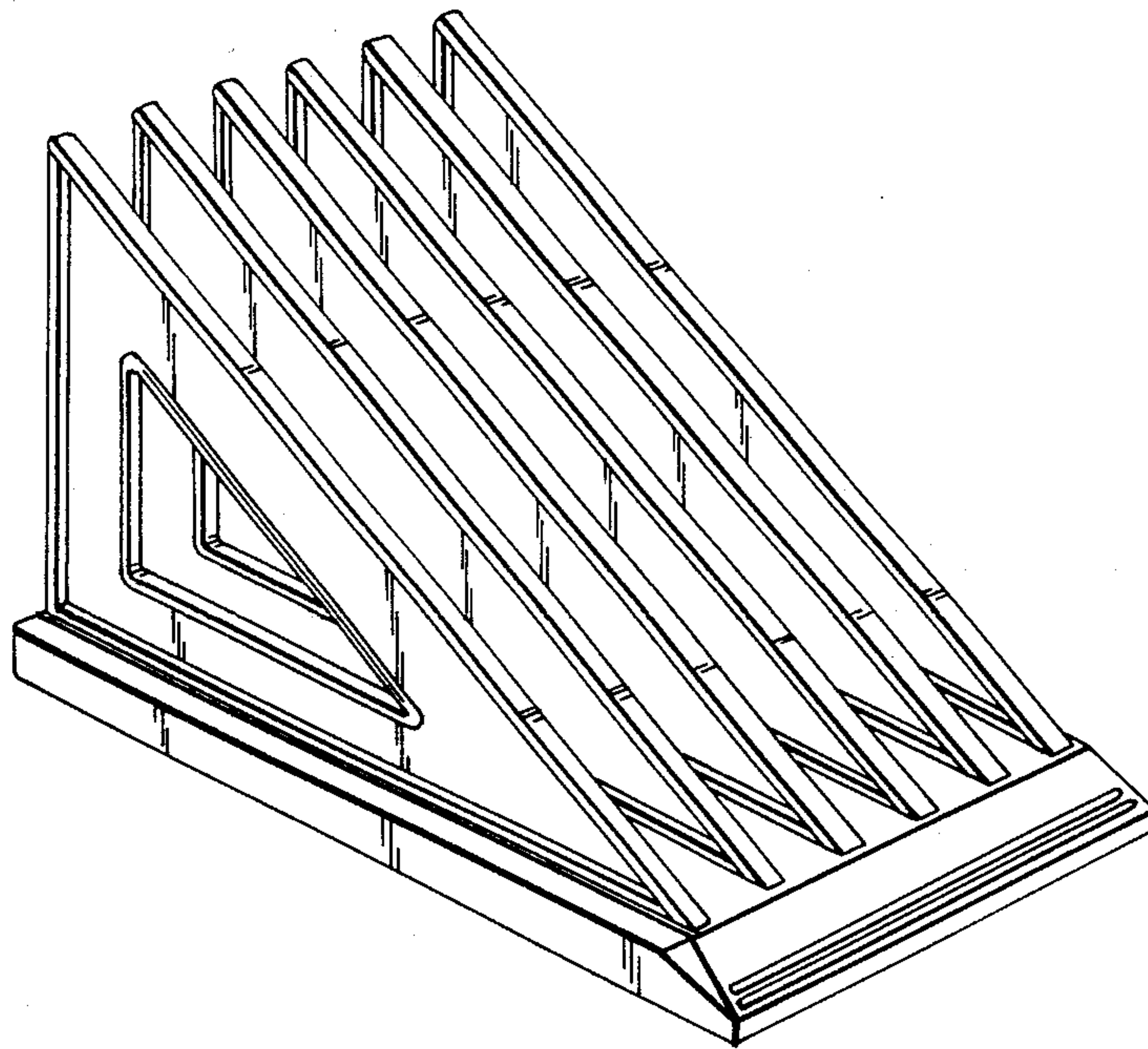
FIG. 5 is a rear elevational view of FIG. 2; and

FIG. 6 is a bottom plan view of FIG. 2.

The characteristic feature of our design resides in the combination of the specific arrangement of the dividers in association with the particular base member, all as best illustrated in FIGS. 1, 2 and 4.

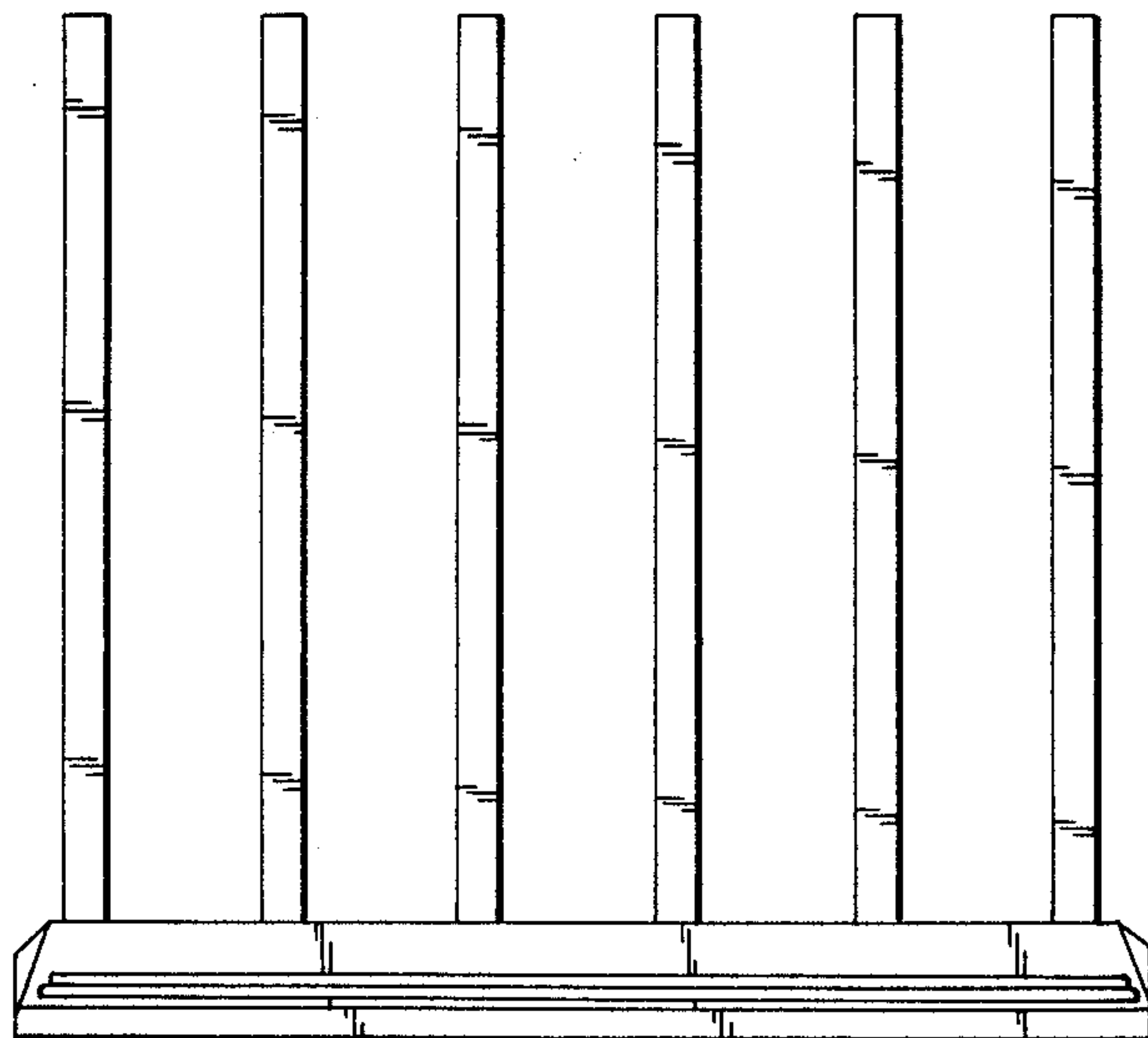


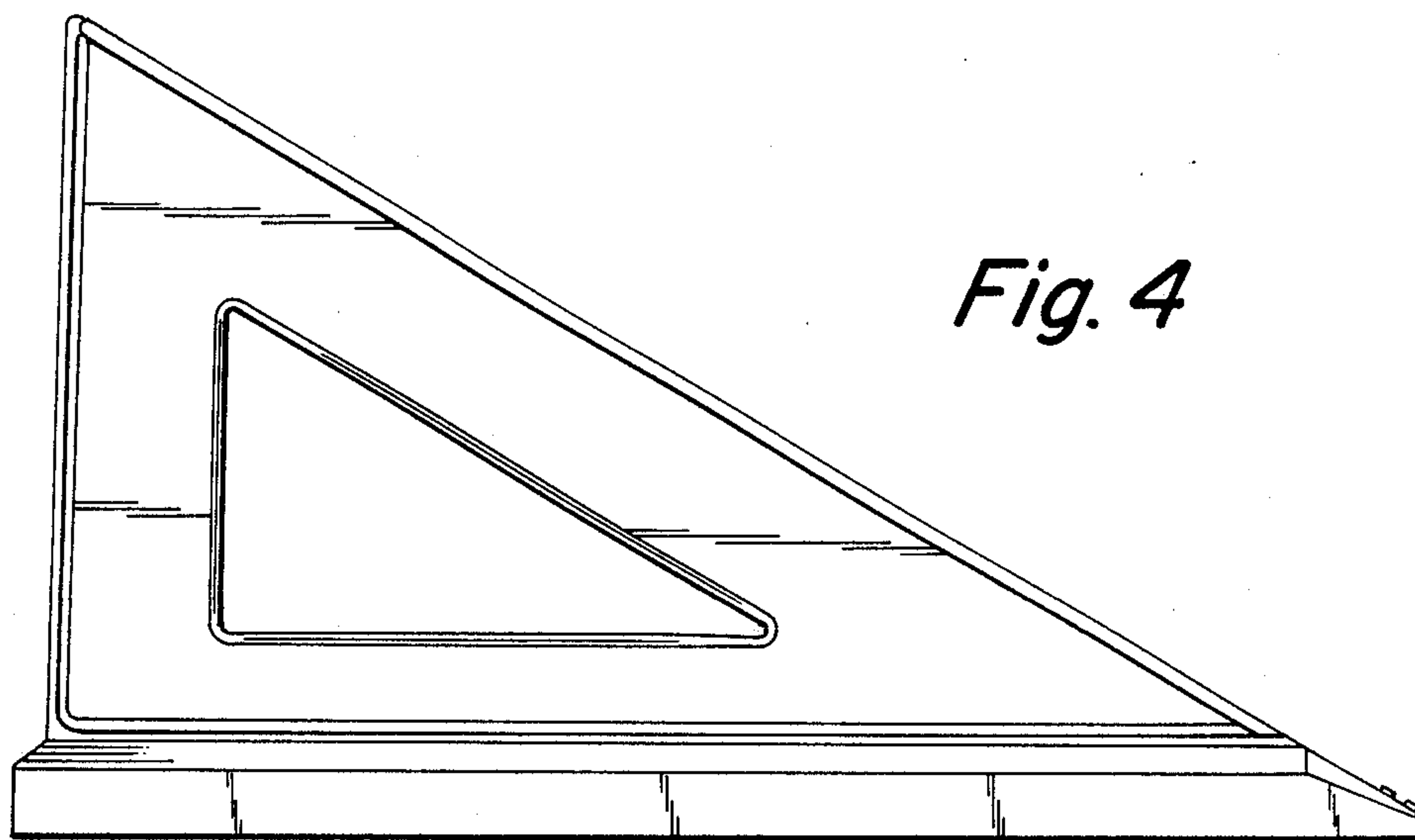
*Fig. 1*



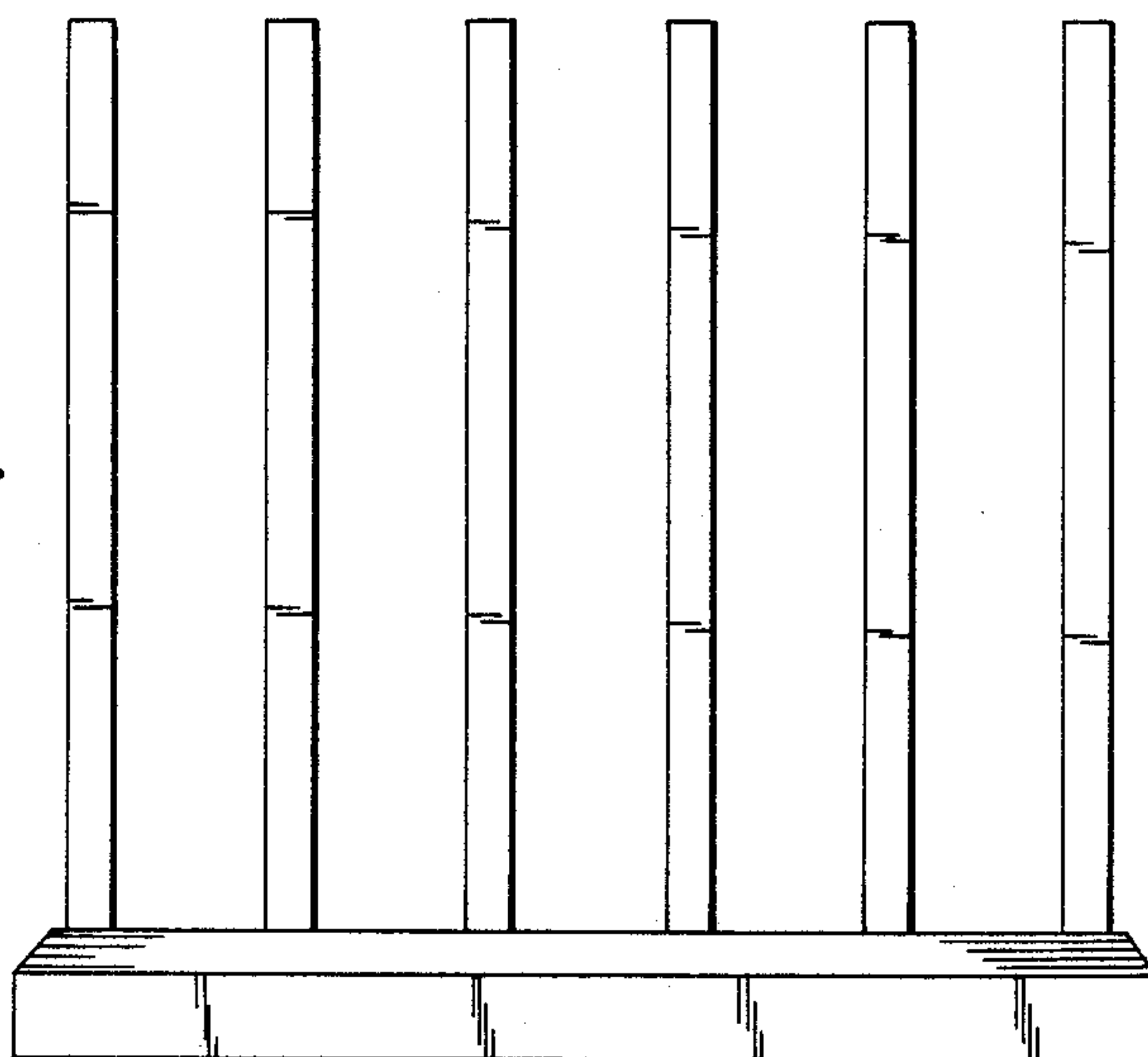
*Fig. 2*

*Fig. 3*





*Fig. 4*



*Fig. 5*

*Fig. 6*

