

[54] PAIR OF BINOCULARS

[75] Inventor: Takenao Shishikura, Tokyo, Japan

[73] Assignee: Asahi Kogaku Kogyo Kabushiki Kaisha, Tokyo, Japan

[**] Term: 14 Years

[21] Appl. No.: 293,903

[22] Filed: Jan. 5, 1989

[30] Foreign Application Priority Data

Jul. 18, 1988 [JP] Japan 63-28603

[52] U.S. Cl. D16/133

[58] Field of Search D16/133; 350/145, 538, 350/541, 544, 545, 552, 551, 554, 557, 558

[56] References Cited

U.S. PATENT DOCUMENTS

D. 223,298 4/1972 Senda et al. D16/133

OTHER PUBLICATIONS

W. Bell & Co. 1982 Catalog (Belfont Binoculars, Item F, p. 247).

Primary Examiner—A. Hugo Word
Assistant Examiner—Doris V. Coles
Attorney, Agent, or Firm—Sughrue, Mion, Zinn, Macpeak & Seas

[57] CLAIM

The ornamental design for a pair of binoculars, as shown.

DESCRIPTION

FIG. 1 is a front, top, and right side perspective view of a pair of binoculars showing my new design;
FIG. 2 is a rear, top, and right side perspective view thereof in folded position;
FIG. 3 is a front elevational view thereof;
FIG. 4 is a rear elevational view thereof;
FIG. 5 is a left side elevational view thereof;
FIG. 6 is a right side elevational view thereof;
FIG. 7 is a top plan view thereof; and
FIG. 8 is a bottom plan view thereof.

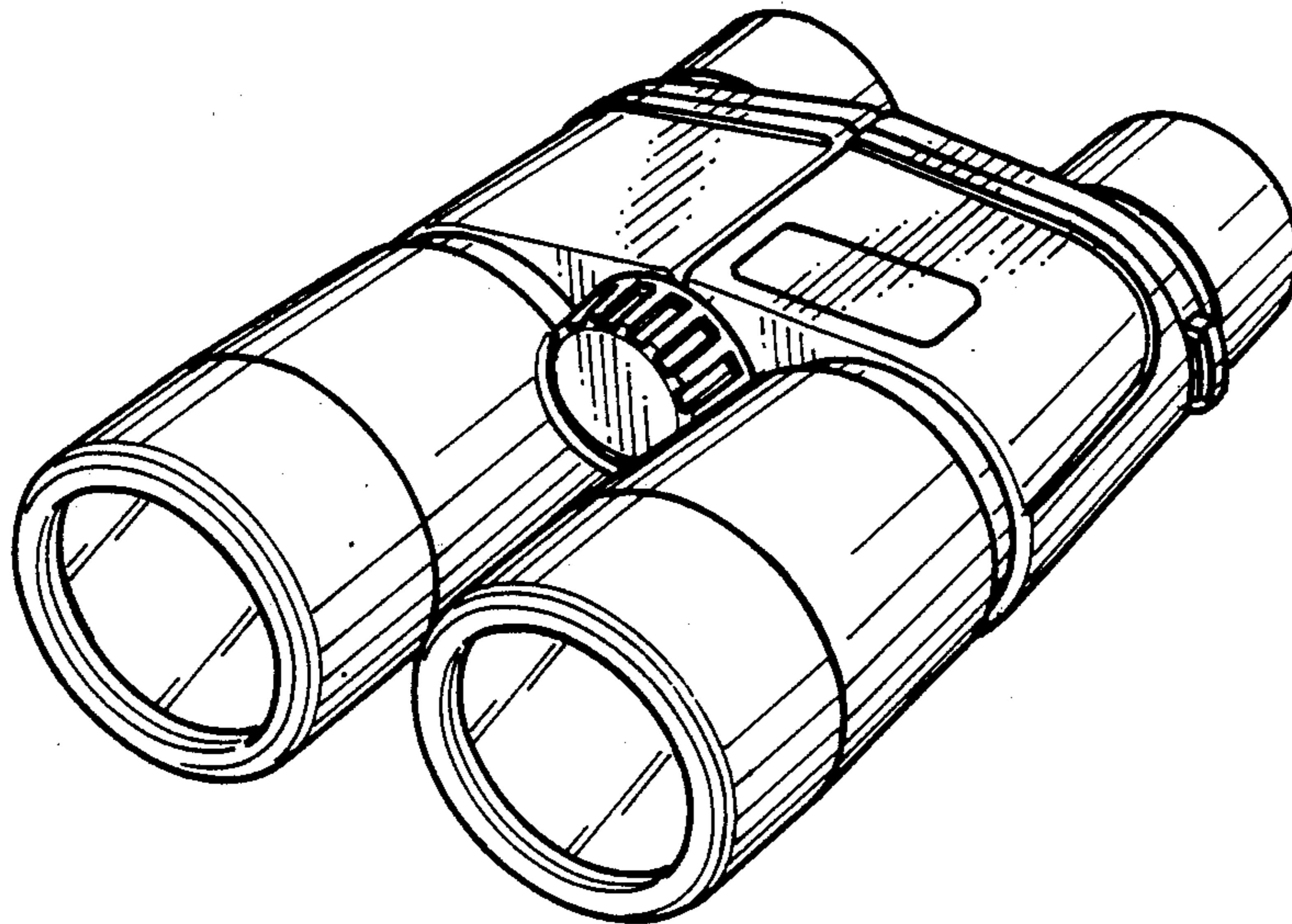


Fig. 1

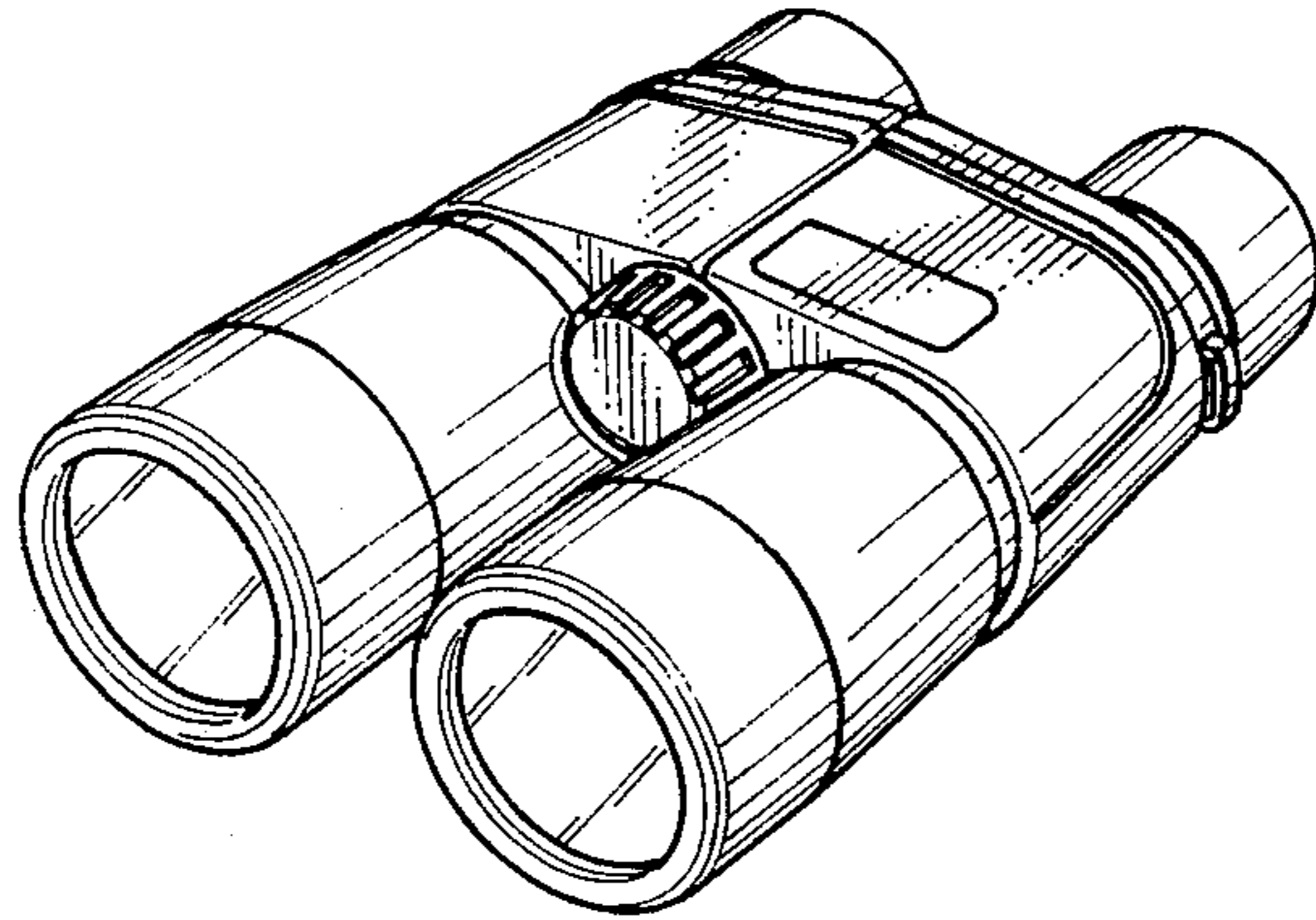


Fig. 2

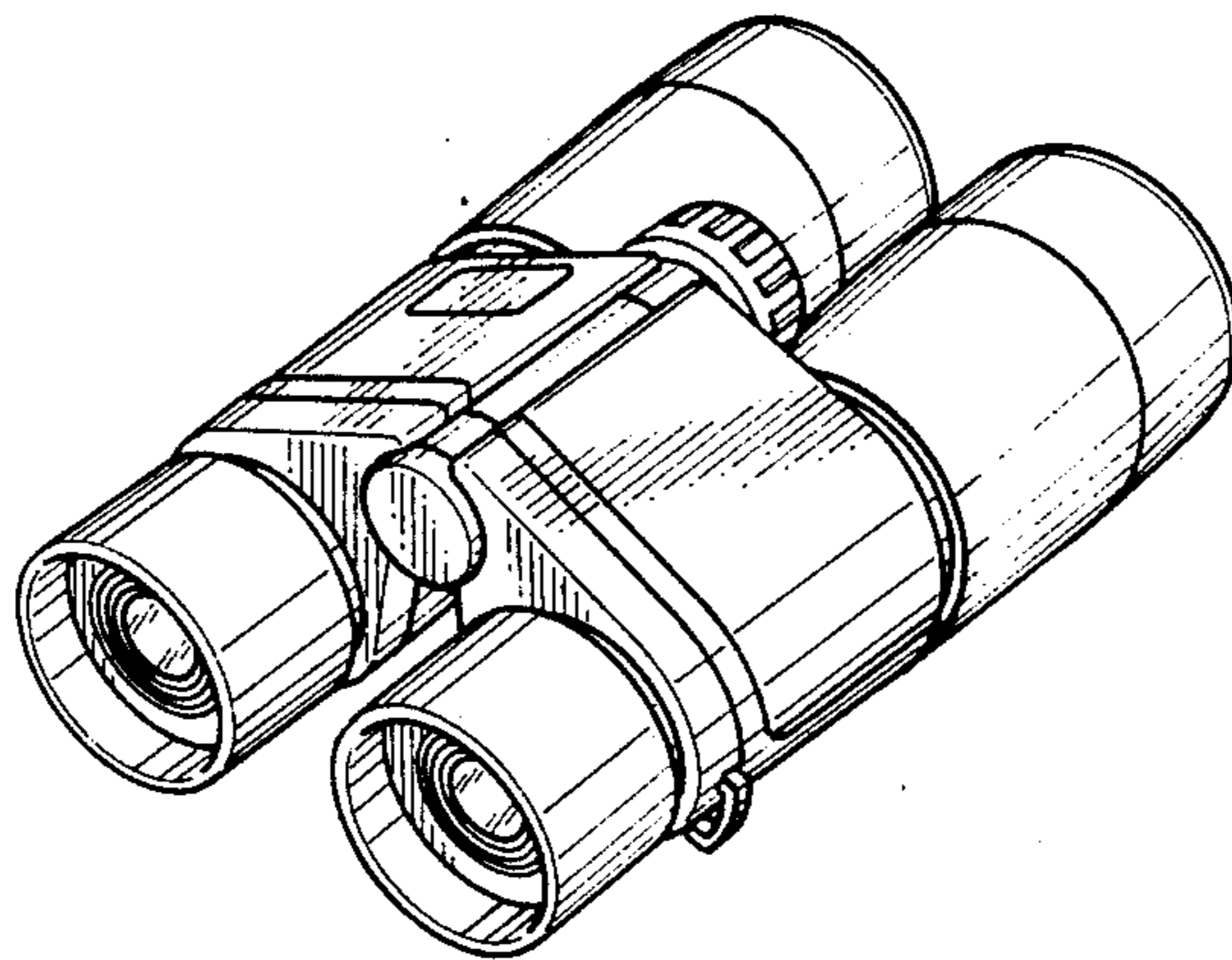


Fig. 3

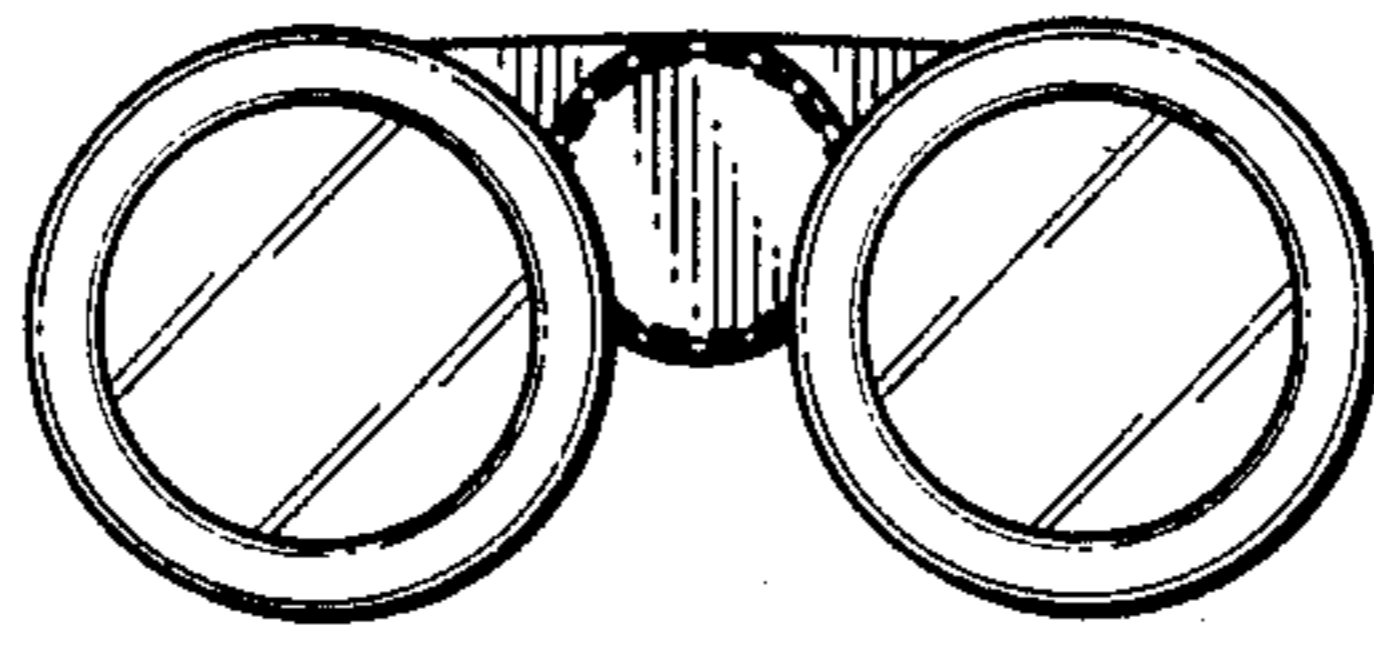


Fig. 4

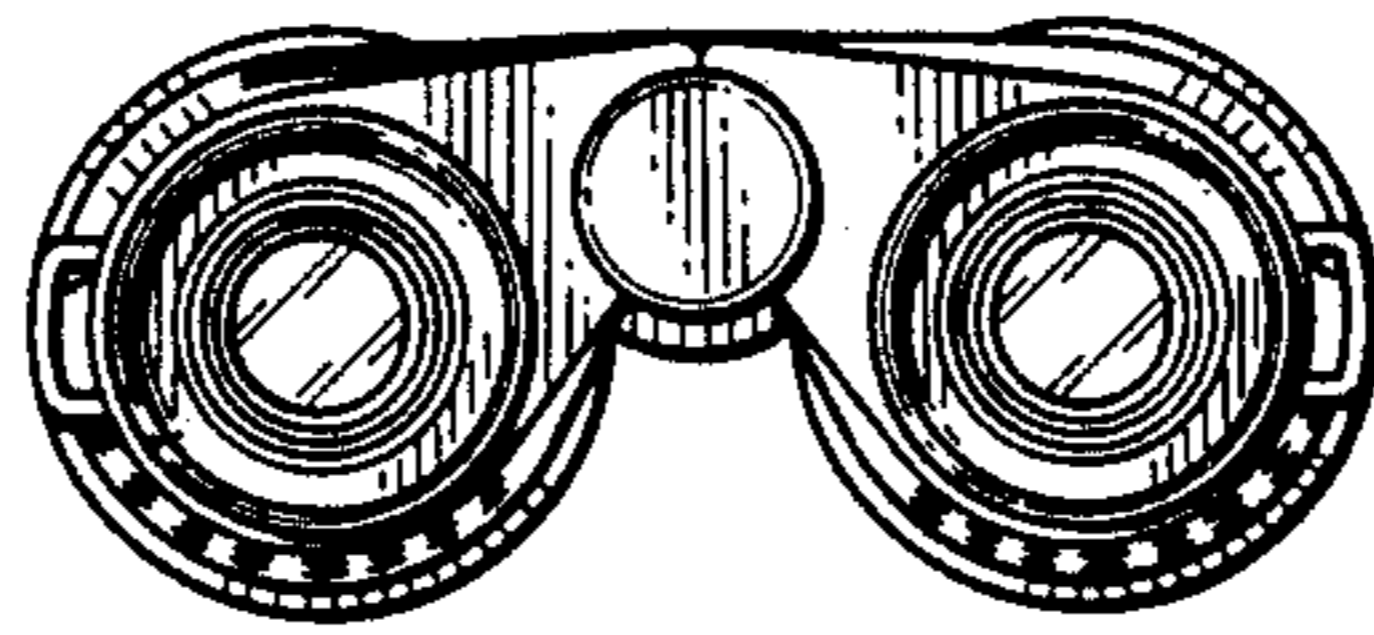


Fig. 5

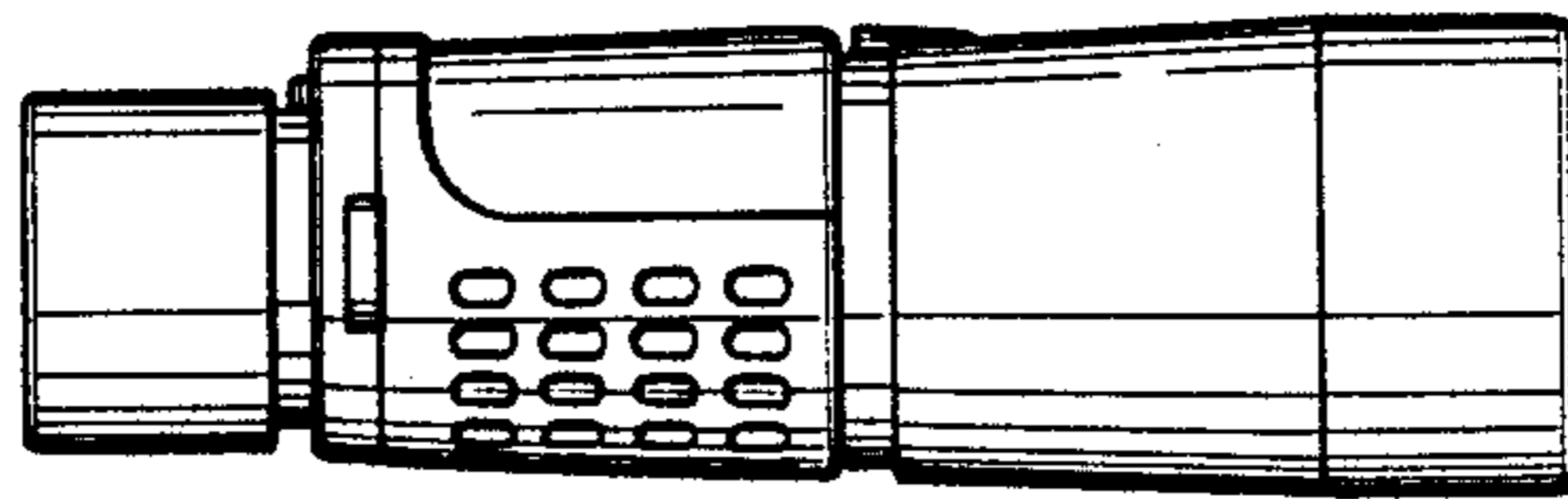


Fig. 6

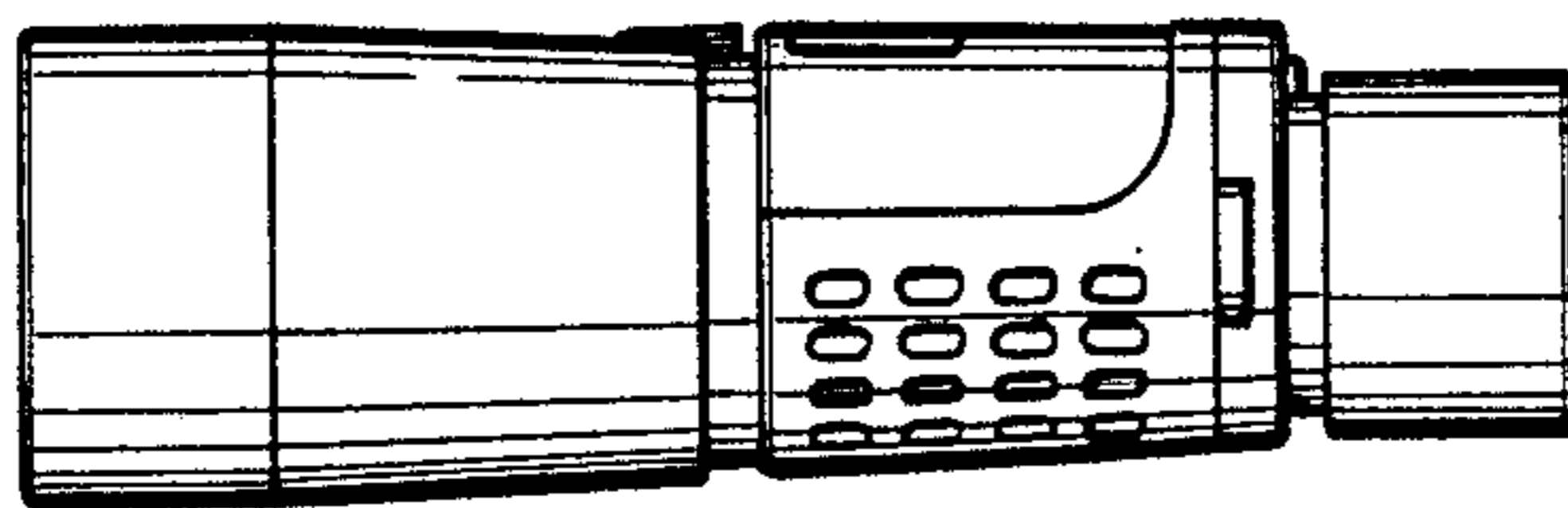


Fig. 7

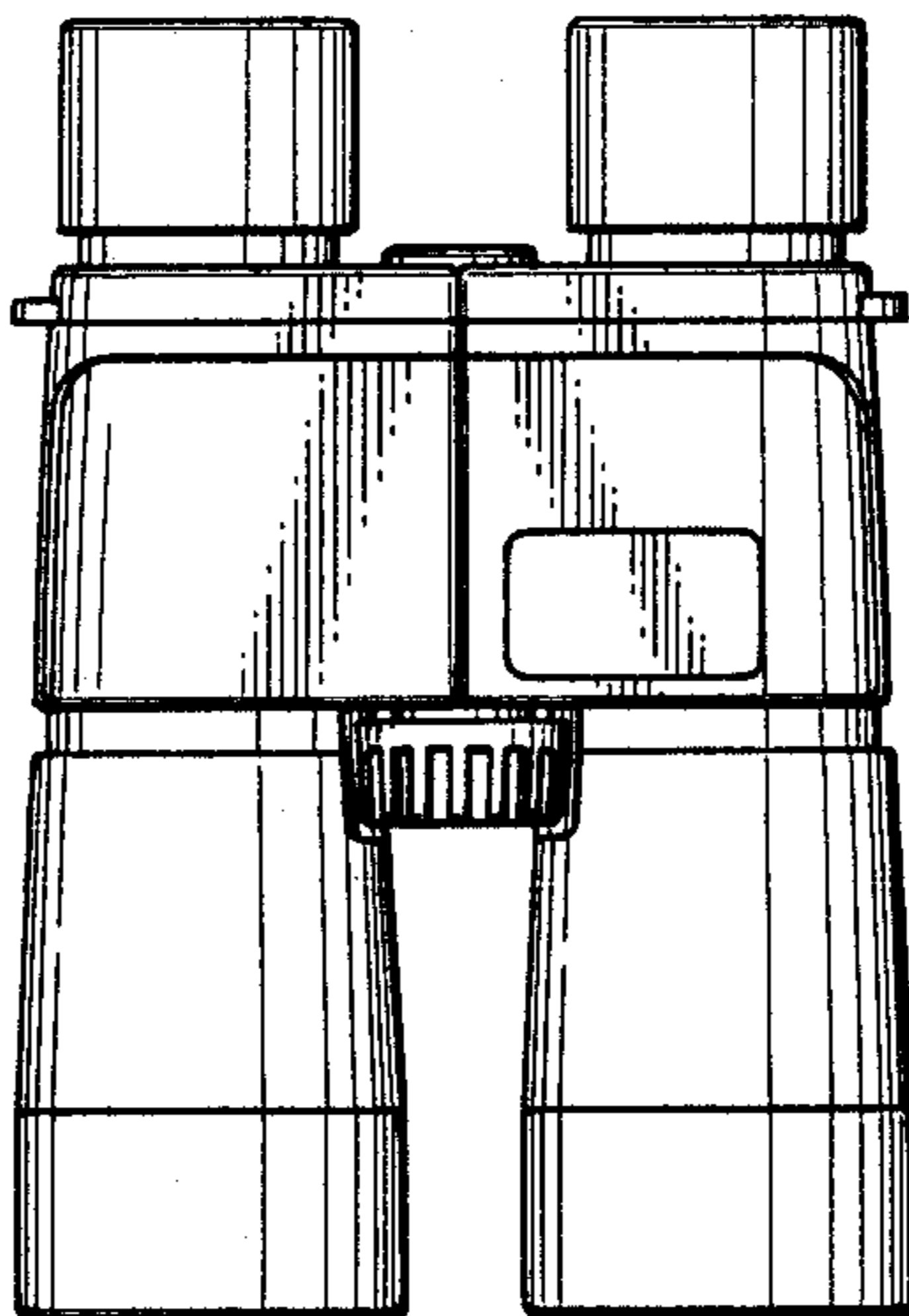


Fig. 8

