

[54] **CUTTING TOOL INSERT**

[75] **Inventor: Kenneth L. Niebauer, Raleigh, N.C.**

[73] **Assignee: Kennametal Inc., Latrobe, Pa.**

[\*\*] **Term: 14 Years**

[21] **Appl. No.: 147,004**

[22] **Filed: Jan. 22, 1988**

[52] **U.S. Cl. .... D15/139; D15/130;  
 D15/131**

[58] **Field of Search ..... D15/138, 139, 140;  
 407/113, 114, 115, 116, 117**

[56] **References Cited**

**U.S. PATENT DOCUMENTS**

D. 275,396	9/1984	Porat et al. .	
D. 280,514	9/1985	Porat et al. ....	D15/139
D. 291,889	9/1987	Pettersson et al. .	
3,636,602	1/1972	Owen .....	407/113
3,733,664	5/1973	McKelvey .	
3,792,514	2/1974	Ushijima .....	407/115 X
3,968,550	7/1976	Gehri .....	407/114
4,318,644	3/1982	Seidel .....	D15/139 X
4,318,645	3/1982	McCreery .	
4,340,324	7/1982	McCreery .	
4,359,300	11/1982	Hazra et al. ....	407/114
4,411,565	10/1983	Hazra et al. ....	407/114
4,507,024	3/1985	Stasko .....	407/114
4,685,844	8/1987	McCreery et al. .	
4,741,649	5/1988	Mori .....	407/114
4,787,784	11/1988	Bernadic et al. ....	407/114

**FOREIGN PATENT DOCUMENTS**

0046511 2/1982 European Pat. Off. .  
 2252350 5/1973 Fed. Rep. of Germany .  
 52-35380 3/1977 Japan .

**OTHER PUBLICATIONS**

"Sandvik Coromant's New Turning Generation," an advertisement, dated 1987.

"Chip Control Inserts," an advertisement of Kennametal Inc., published Feb. 1987.

*Primary Examiner*—Bruce W. Dunkins

*Assistant Examiner*—Jeffrey Asch

*Attorney, Agent, or Firm*—Thomas R. Trempus

[57] **CLAIM**

The ornamental design for a cutting tool insert, as shown and described.

**DESCRIPTION**

FIG. 1 is a top and left side perspective view of a cutting tool insert showing my new design;

FIG. 2 is a top plan view;

FIG. 3 is a right side elevational view; the rear and front being identical thereto;

FIG. 4 is a bottom plan view;

FIG. 5 is a cross-sectional view taken along line V—V in FIG. 2;

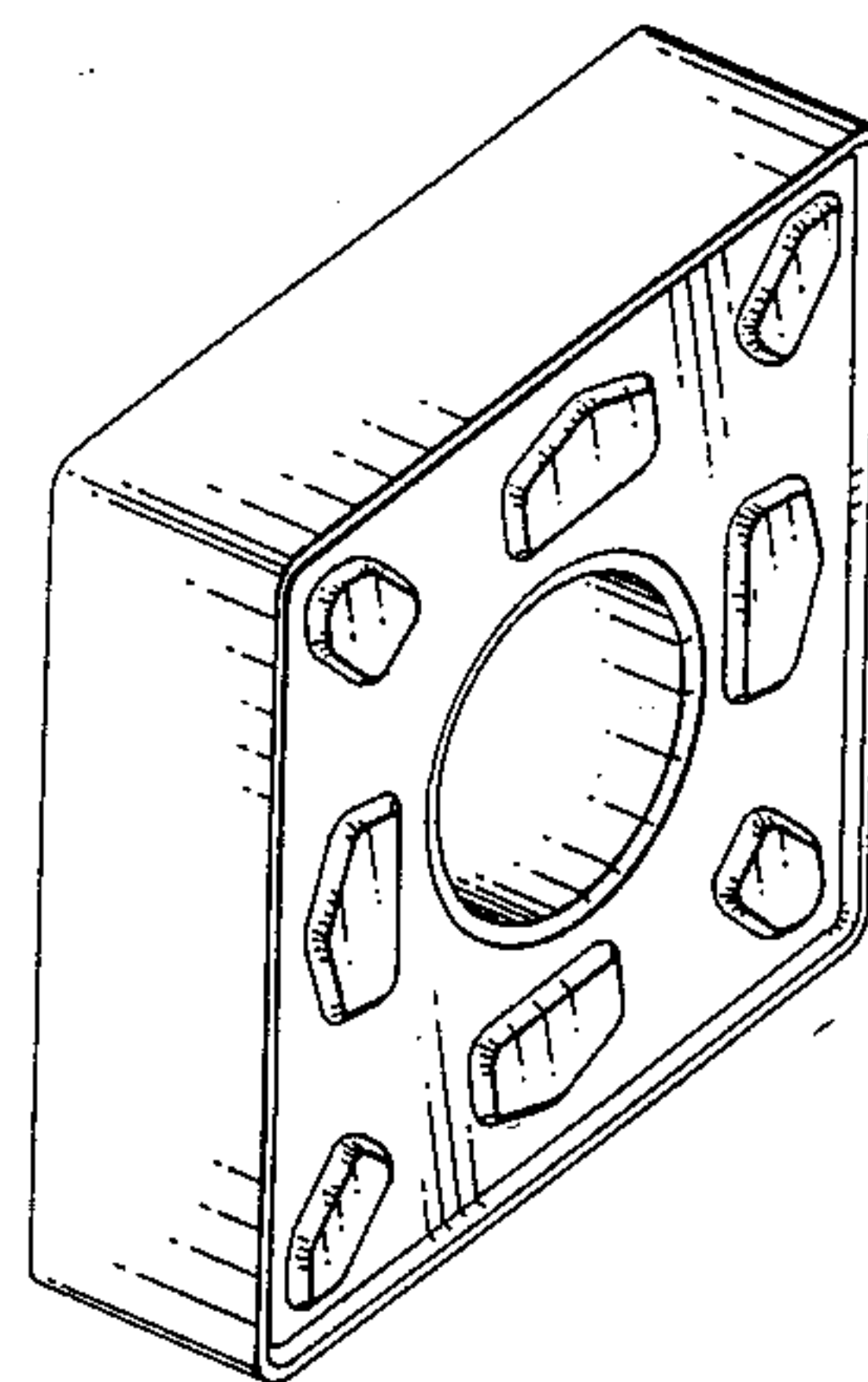
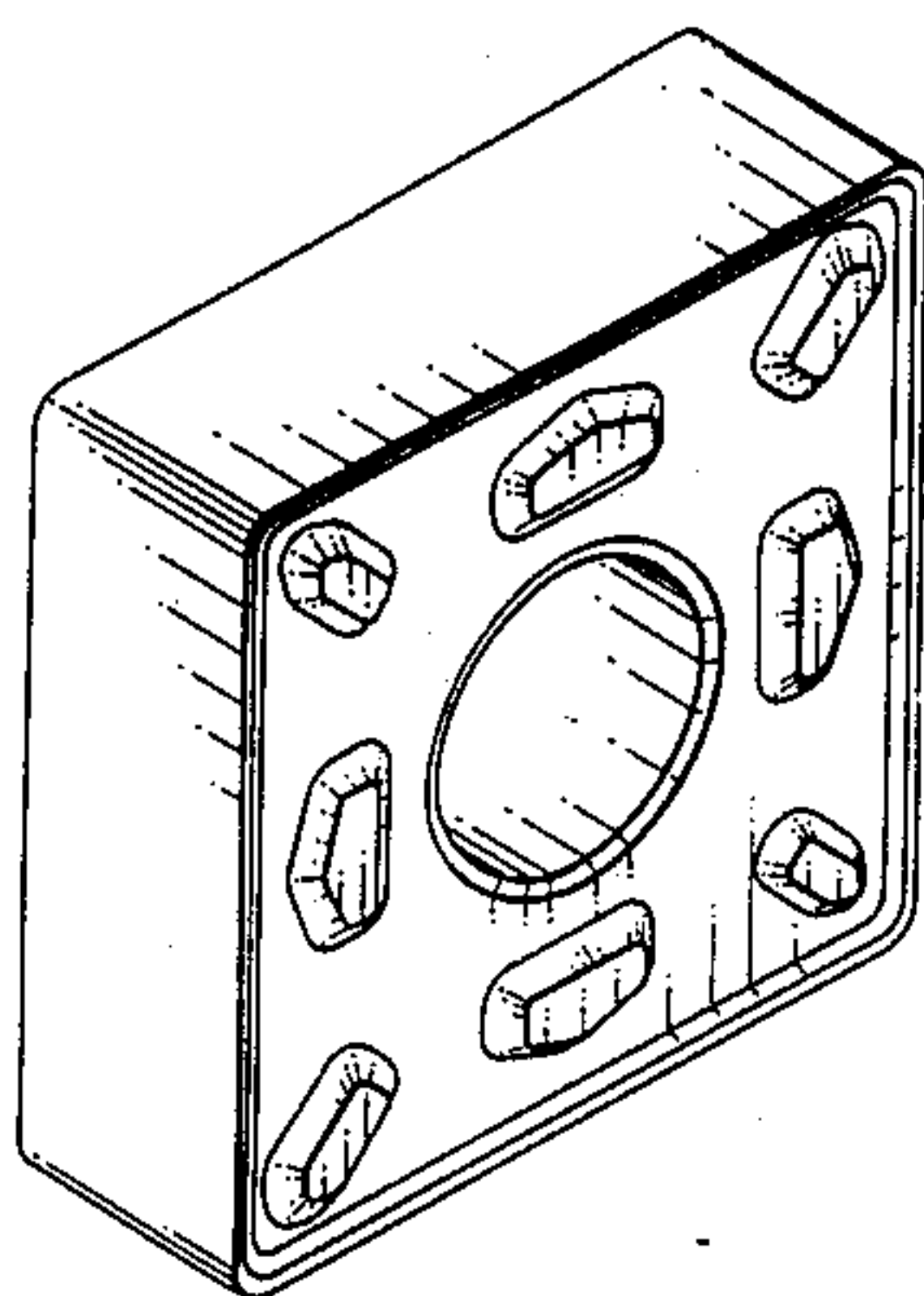
FIG. 6 is a top and left side perspective view showing a second embodiment of that shown in FIGS. 1-5;

FIG. 7 is a top plan view;

FIG. 8 is a right side elevational view, the rear and front being identical;

FIG. 9 is a bottom plan view; and,

FIG. 10 is a cross-sectional view, taken along line X—X in FIG. 7, thereof.



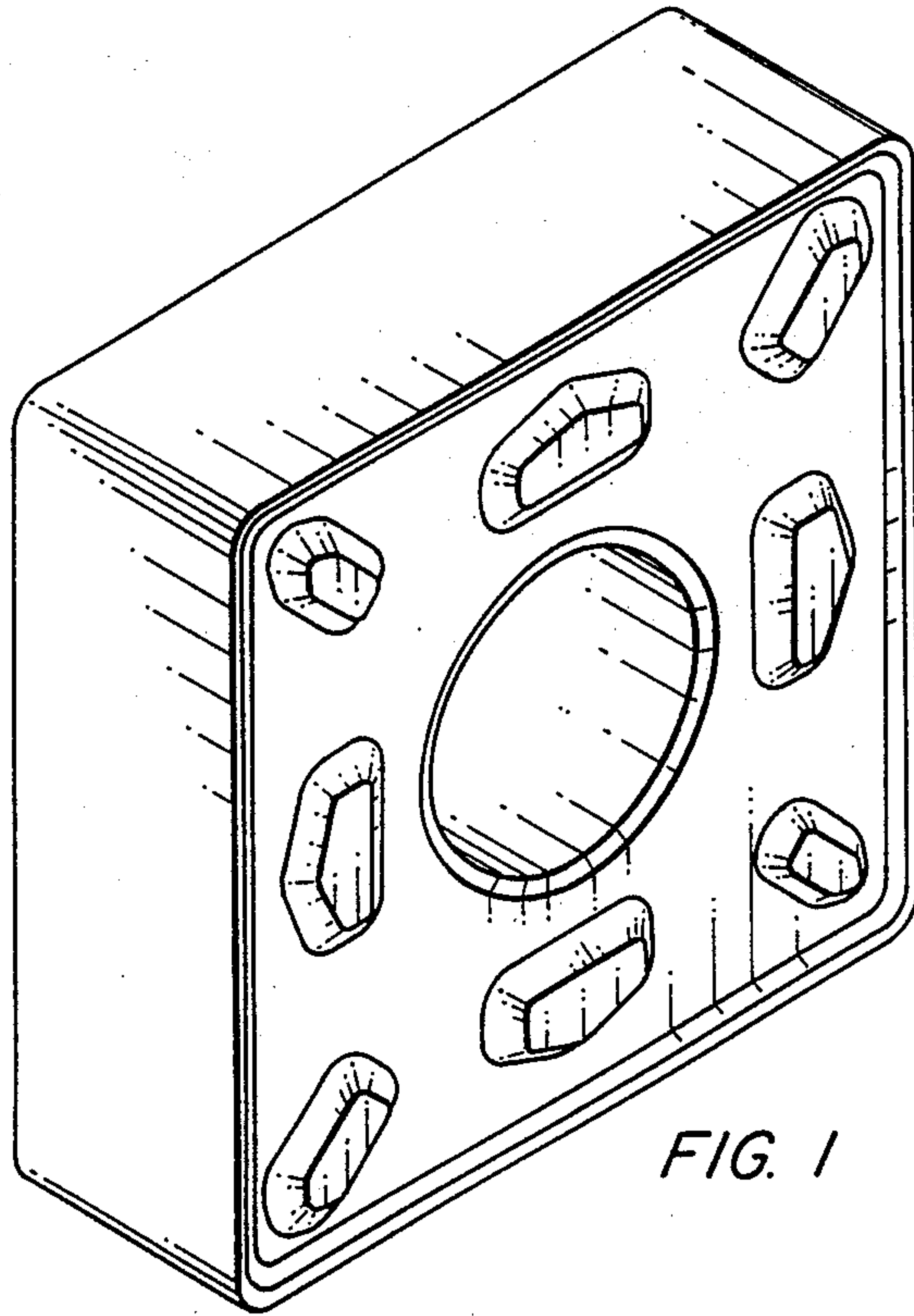


FIG. 1

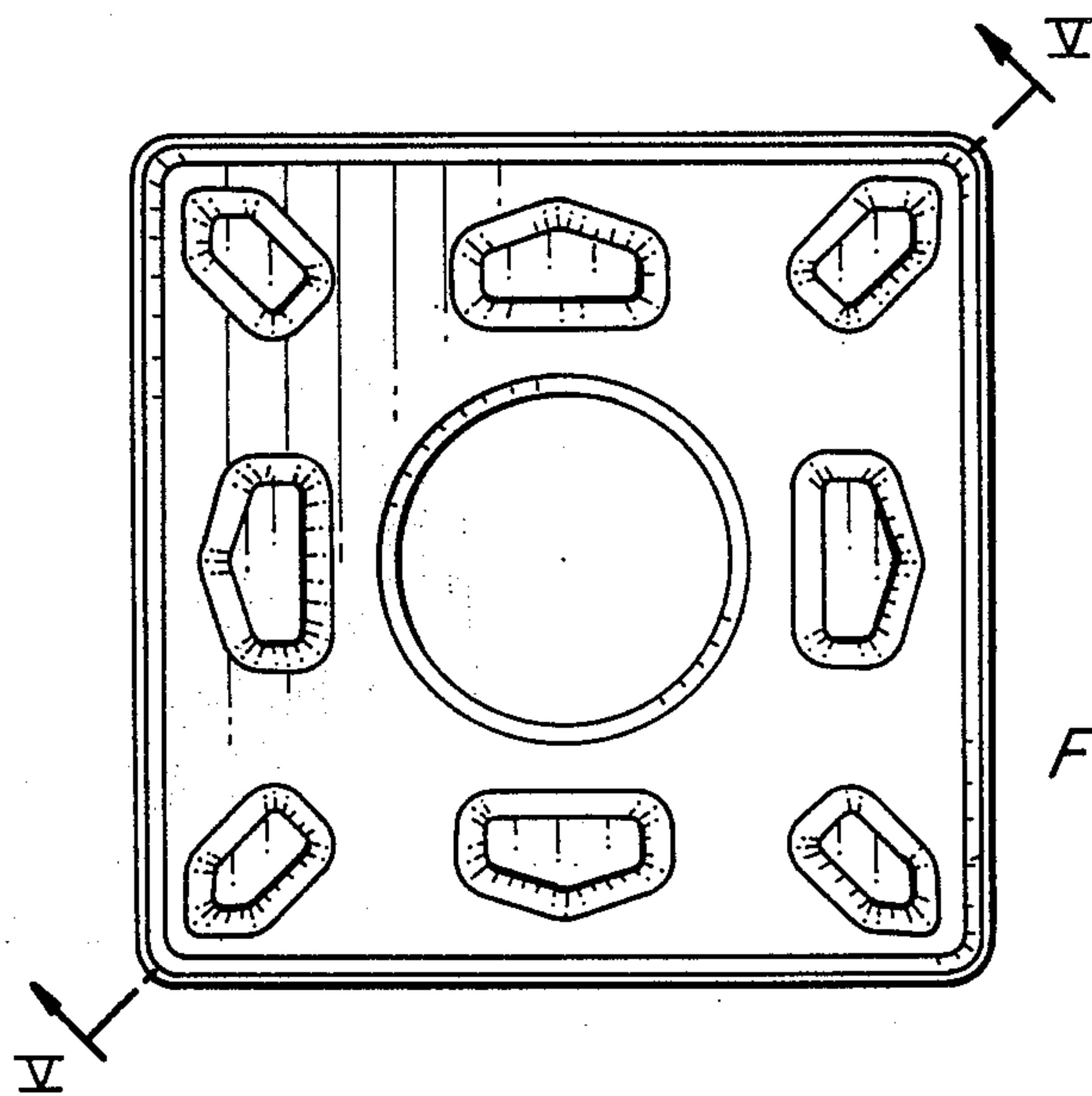


FIG. 2

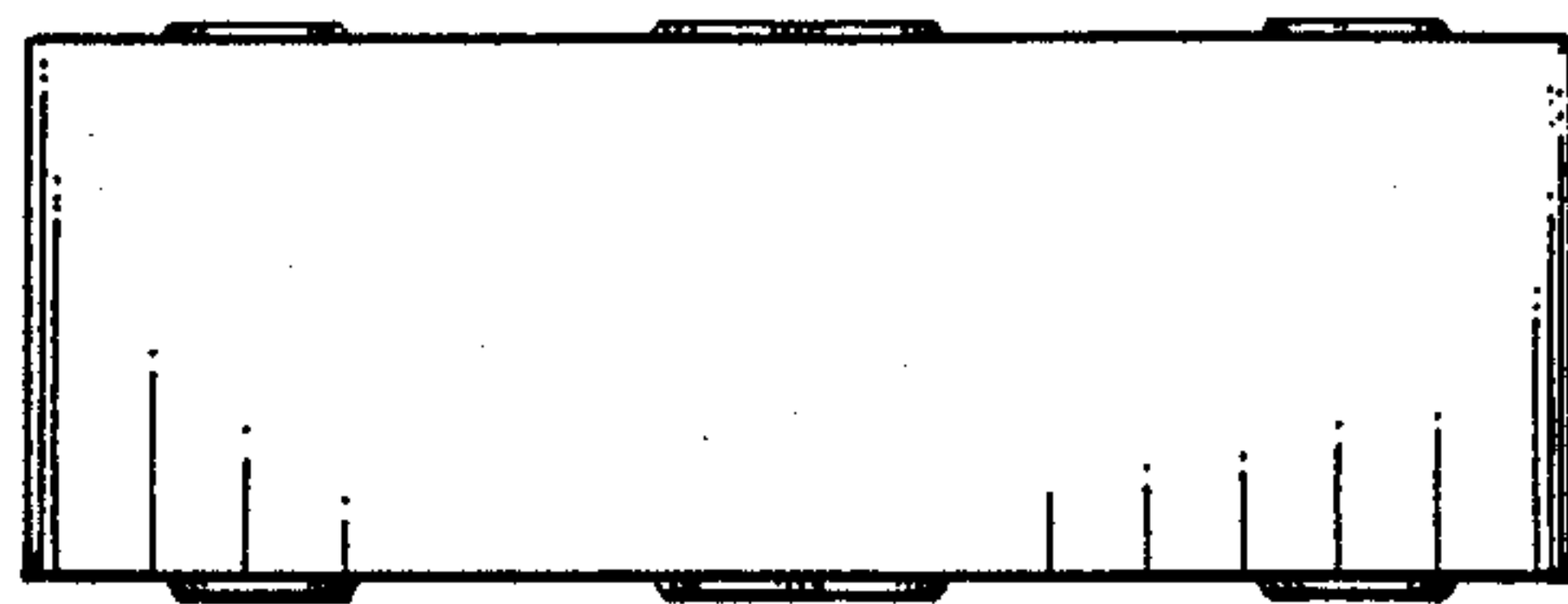


FIG. 3

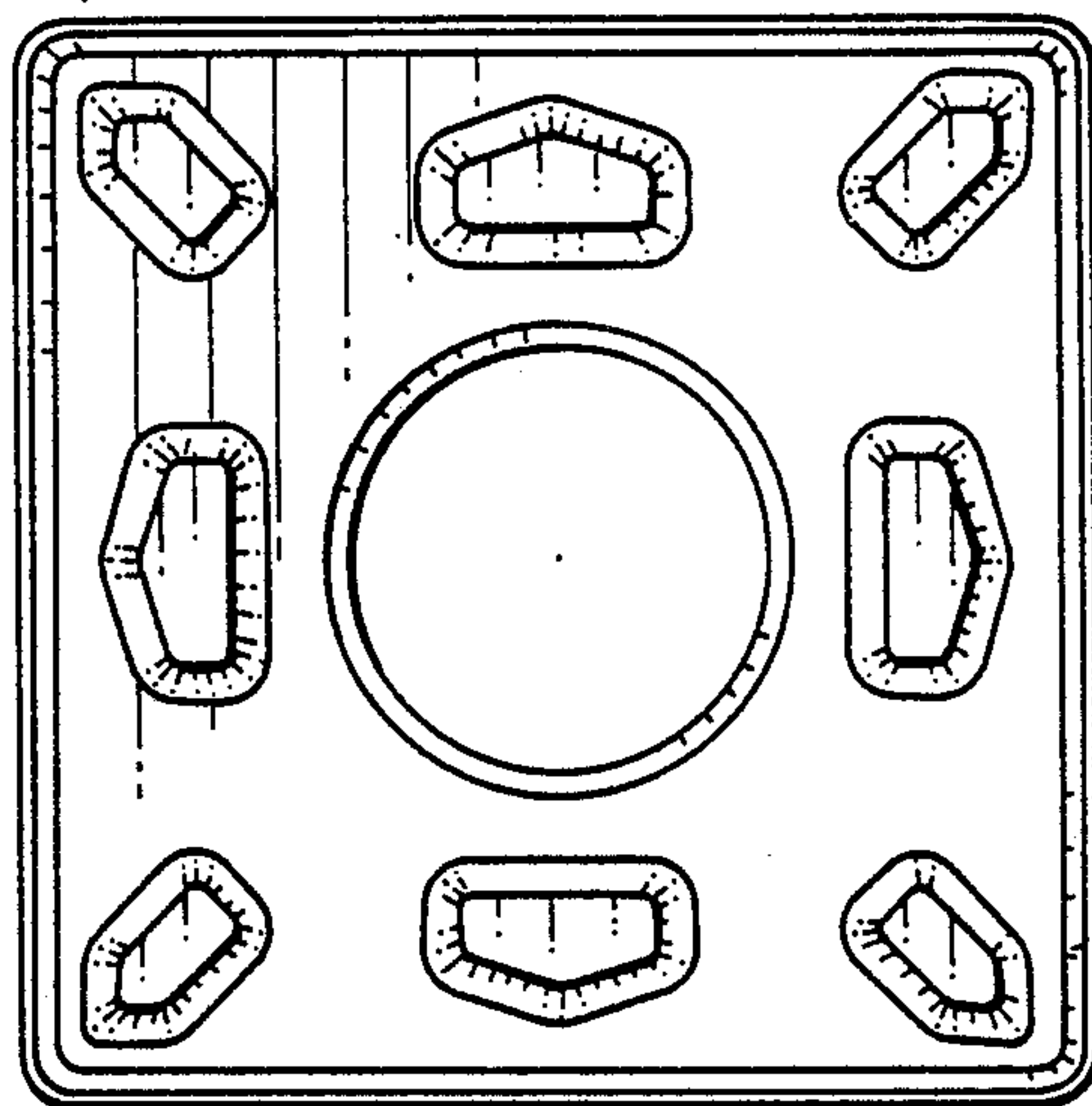


FIG. 4

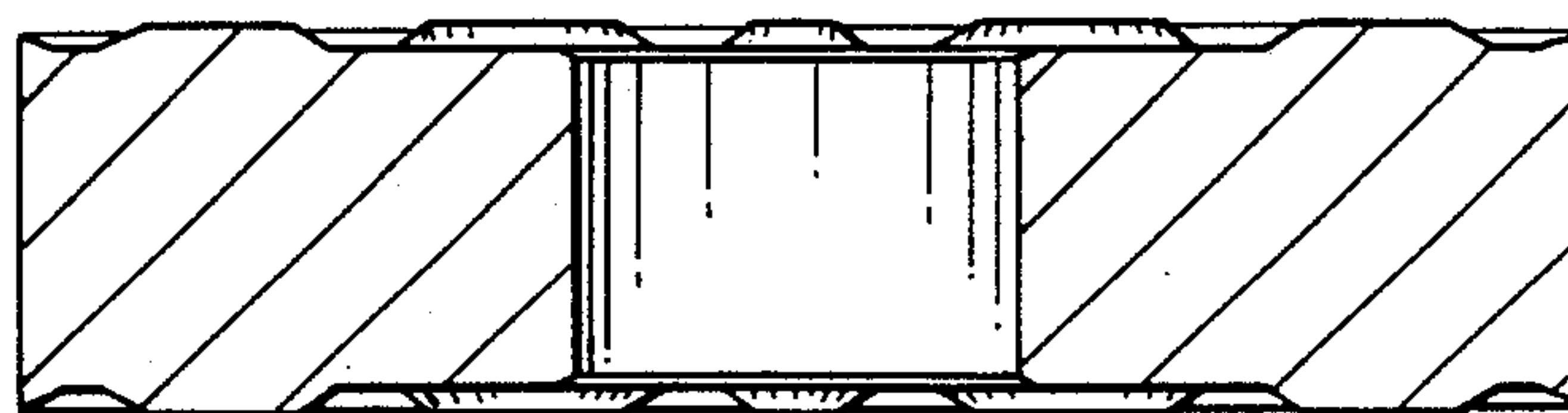


FIG. 5

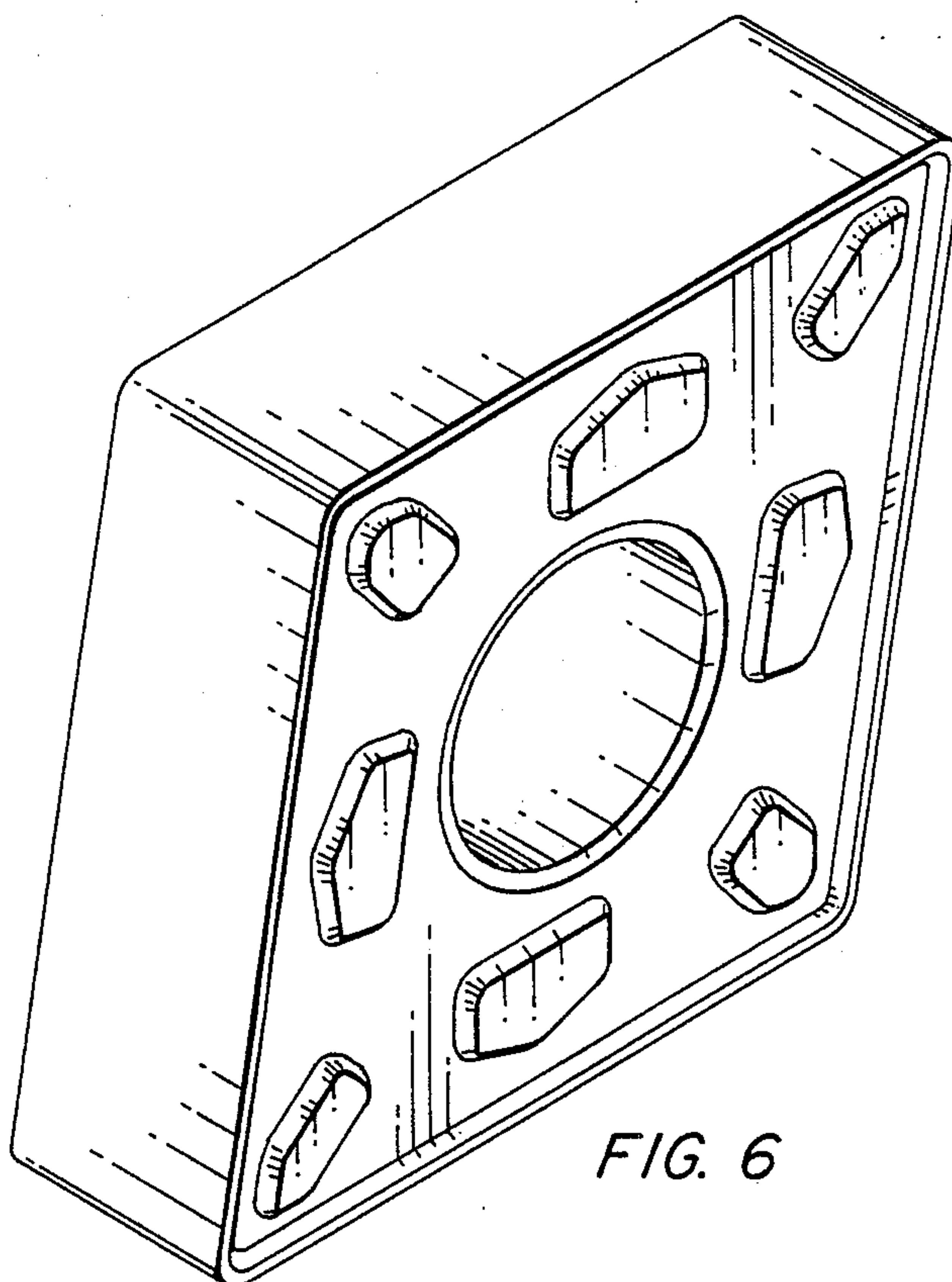


FIG. 6

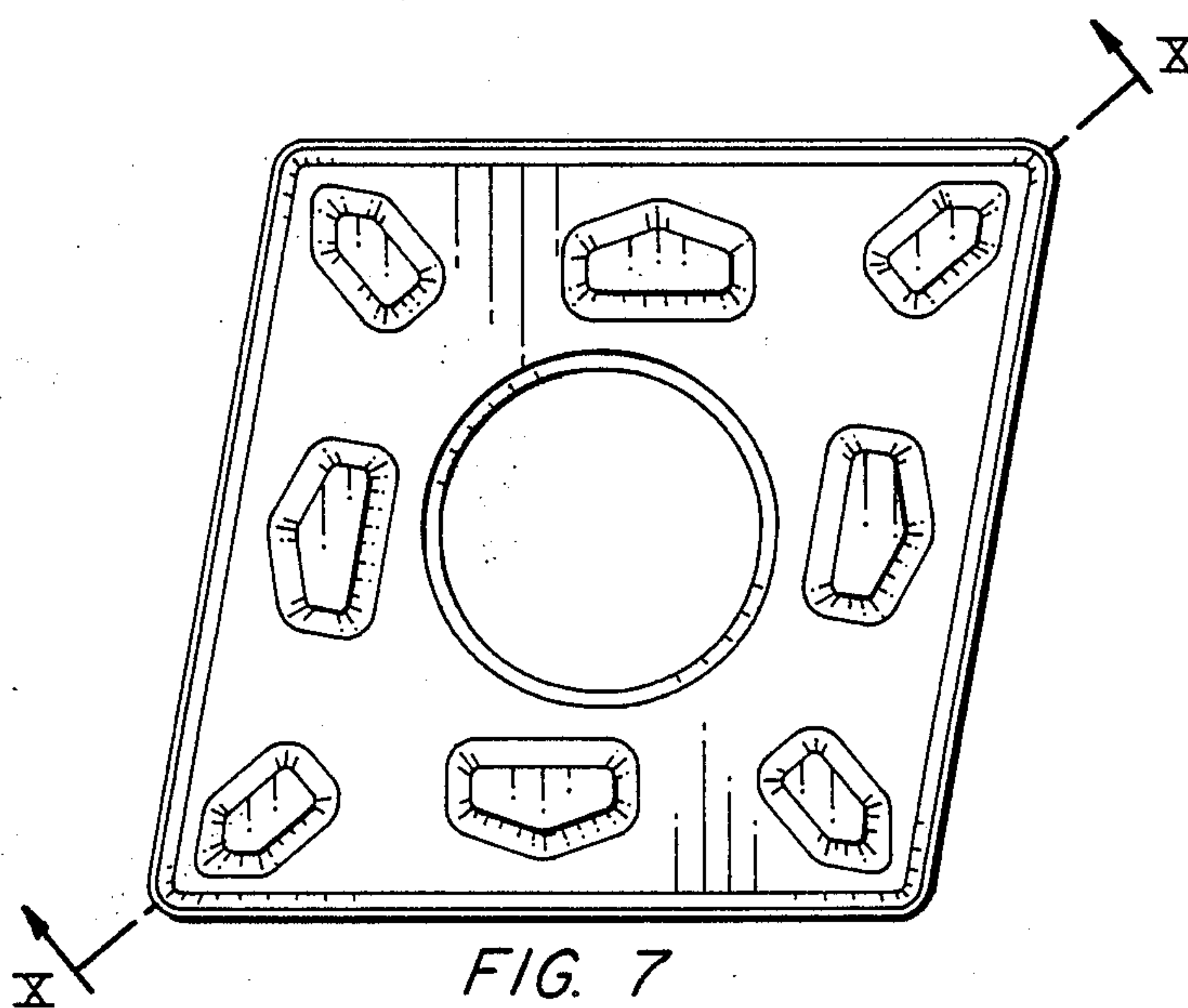


FIG. 7



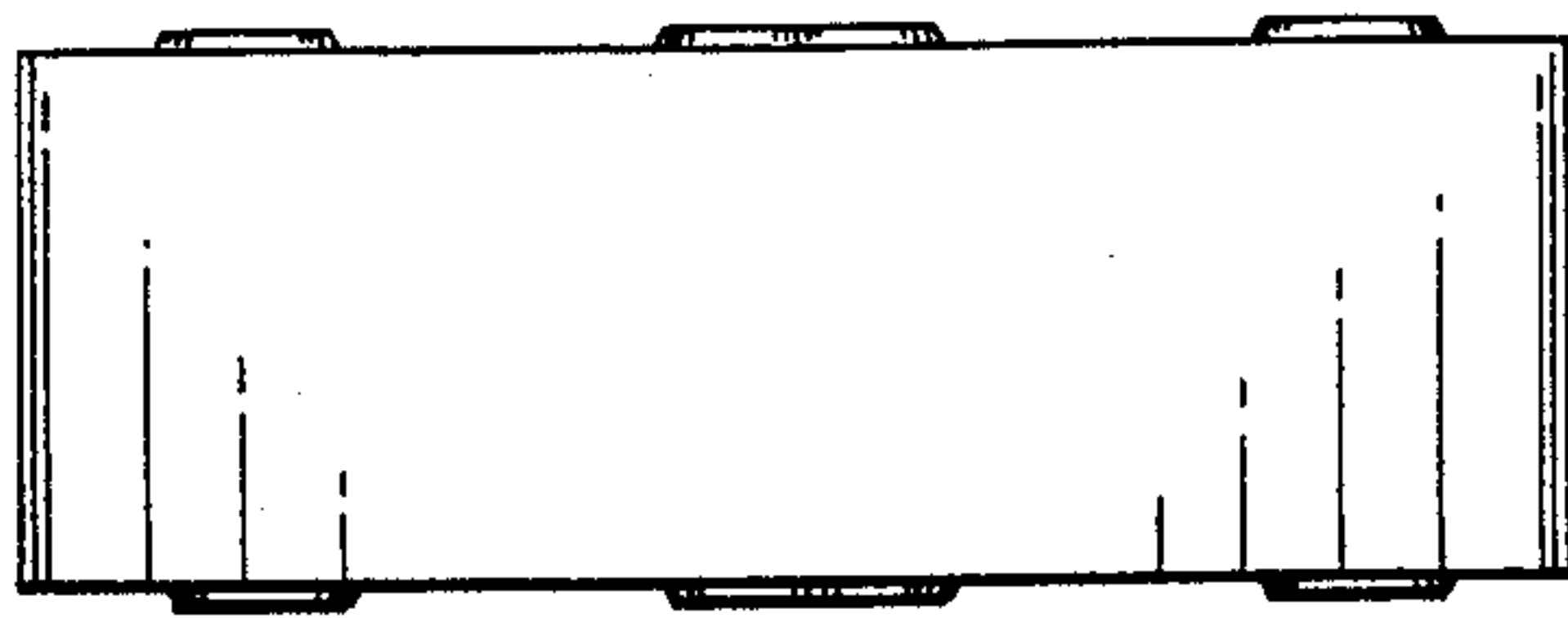


FIG. 8

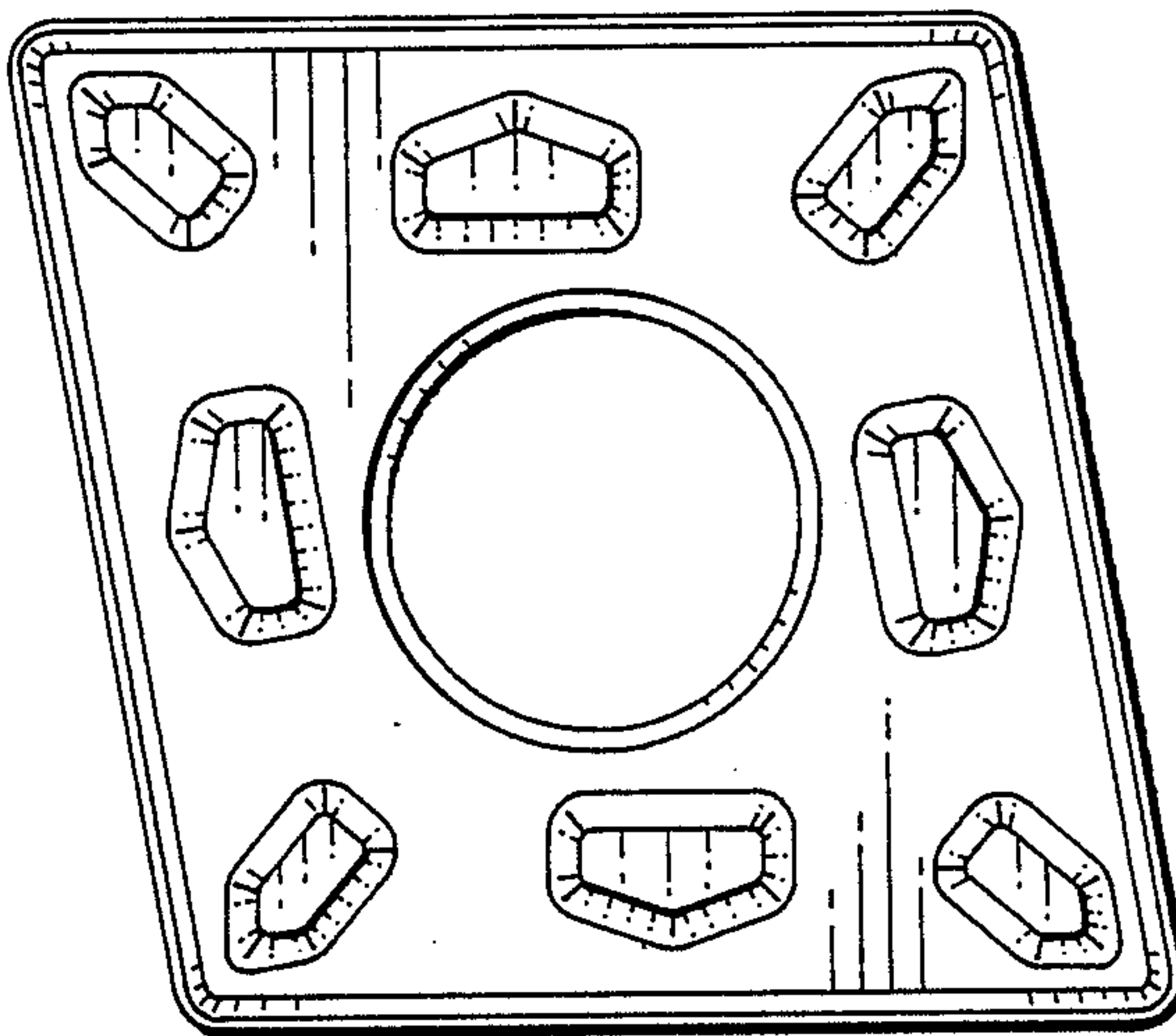


FIG. 9

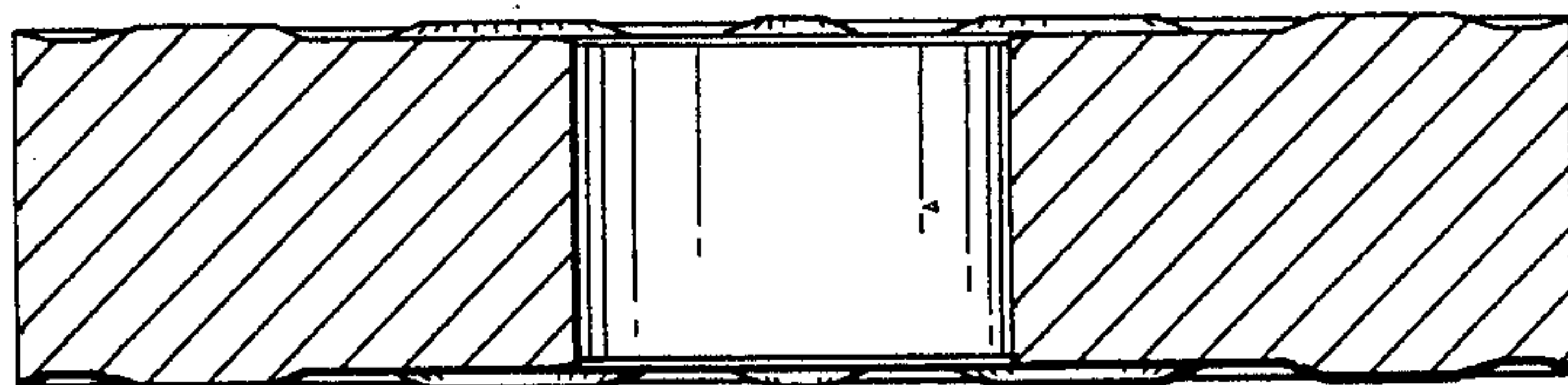


FIG. 10