

[54] INTERNAL COMBUSTION ENGINE

[75] Inventor: Yoshio Mikado, Wako, Japan

[73] Assignee: Honda Giken Kogyo Kabushiki Kaisha, Tokyo, Japan

[**] Term: 14 Years

[21] Appl. No.: 111,800

[22] Filed: Oct. 22, 1987

[30] Foreign Application Priority Data

May 12, 1987 [JP] Japan 62-18602

[52] U.S. Cl. D15/1

[58] Field of Search D15/1, 3; 123/22, 41, 123/34, 52 R, 56 A, 56 B, 56 BA, 56 BC, 58 R, 311, 198 E

[56] References Cited

U.S. PATENT DOCUMENTS

- D. 239,329 3/1976 Schramm D15/1
- D. 282,071 1/1986 Nakamura D15/1
- D. 284,862 7/1986 Iida D15/1
- D. 293,114 12/1987 Brogdon D15/1

- D. 294,832 3/1988 Itou et al. D15/1
- 4,429,668 2/1984 Nakagawa 123/56 BA

Primary Examiner—Wallace R. Burke
Assistant Examiner—Brian N. Vinson
Attorney, Agent, or Firm—Wenderoth, Lind & Ponack

[57] CLAIM

The ornamental design for an internal combustion engine, as shown and described.

DESCRIPTION

FIG. 1 is a front elevational view of an internal combustion engine showing my new design; FIG. 2 is a rear elevational view thereof; FIG. 3 is a right side elevational view thereof; FIG. 4 is a left side elevational view thereof; FIG. 5 is a top plan view thereof; FIG. 6 is a bottom plan view thereof; FIG. 7 is a right side perspective view thereof; FIG. 8 is a left side perspective view thereof; FIG. 9 is a right side perspective view of an alternative embodiment thereof, the only difference residing in the configuration of the support elements at the base; and FIG. 10 is a left side perspective view of the embodiment of FIG. 9.

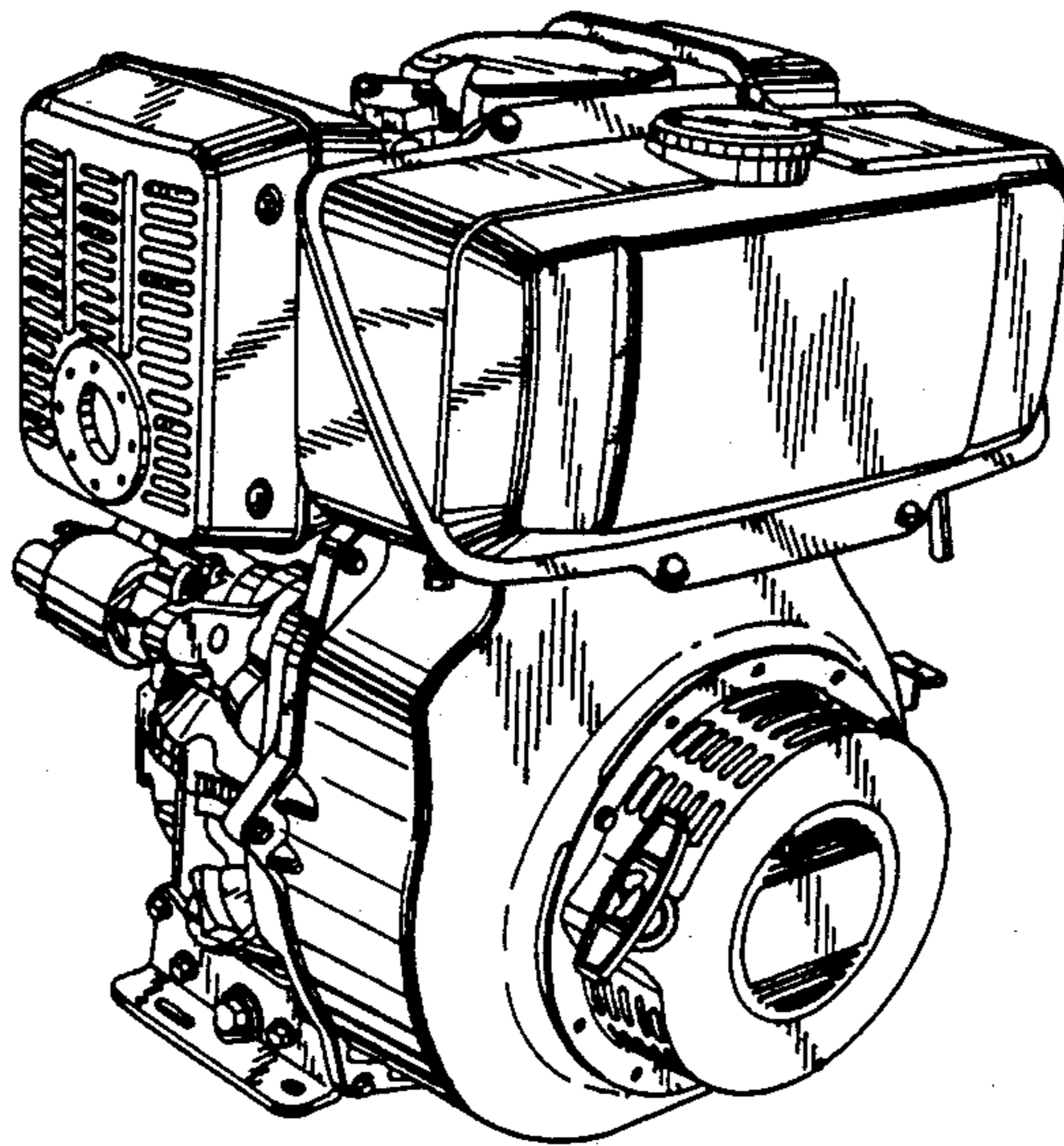


FIG. 1

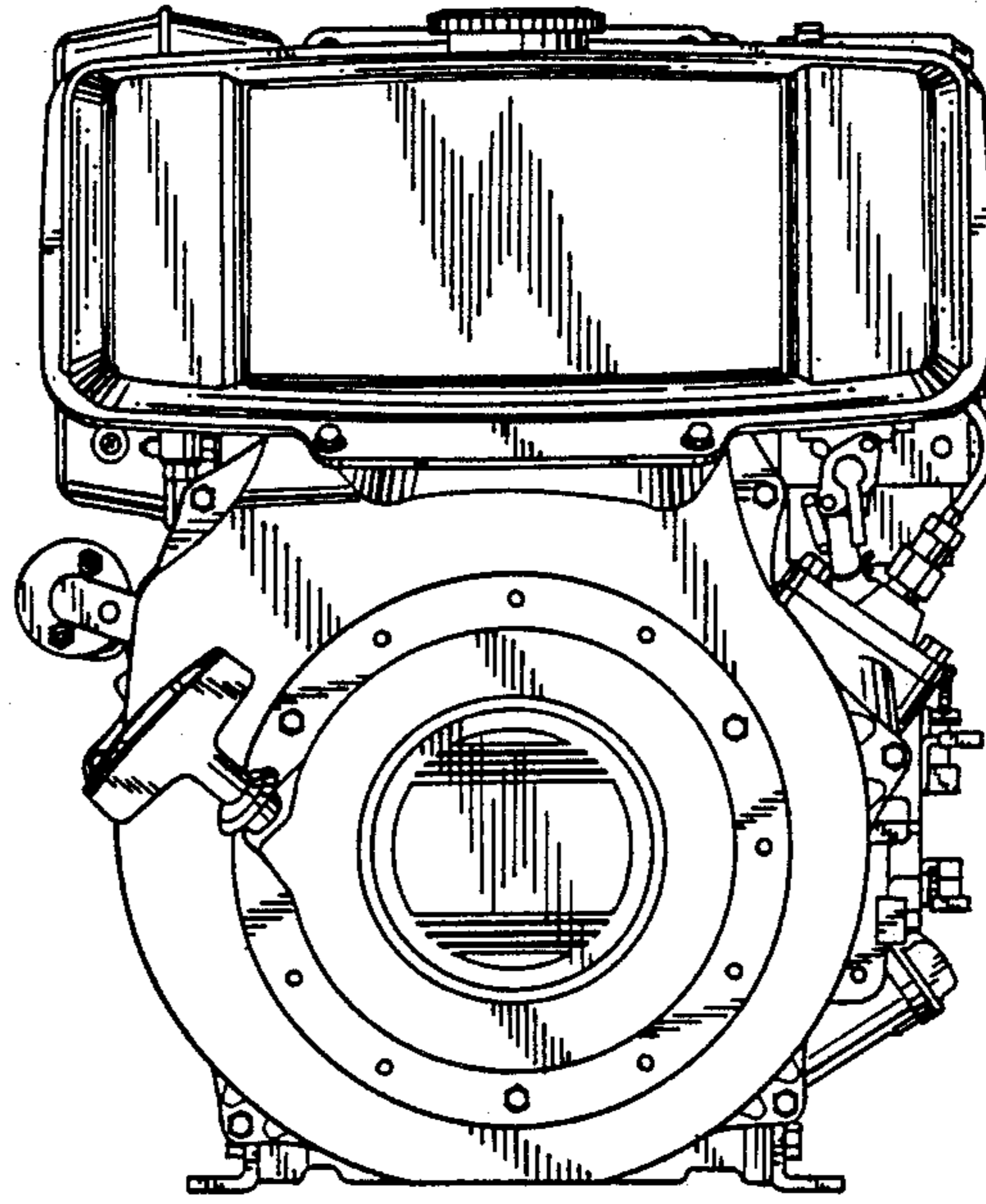


FIG. 2

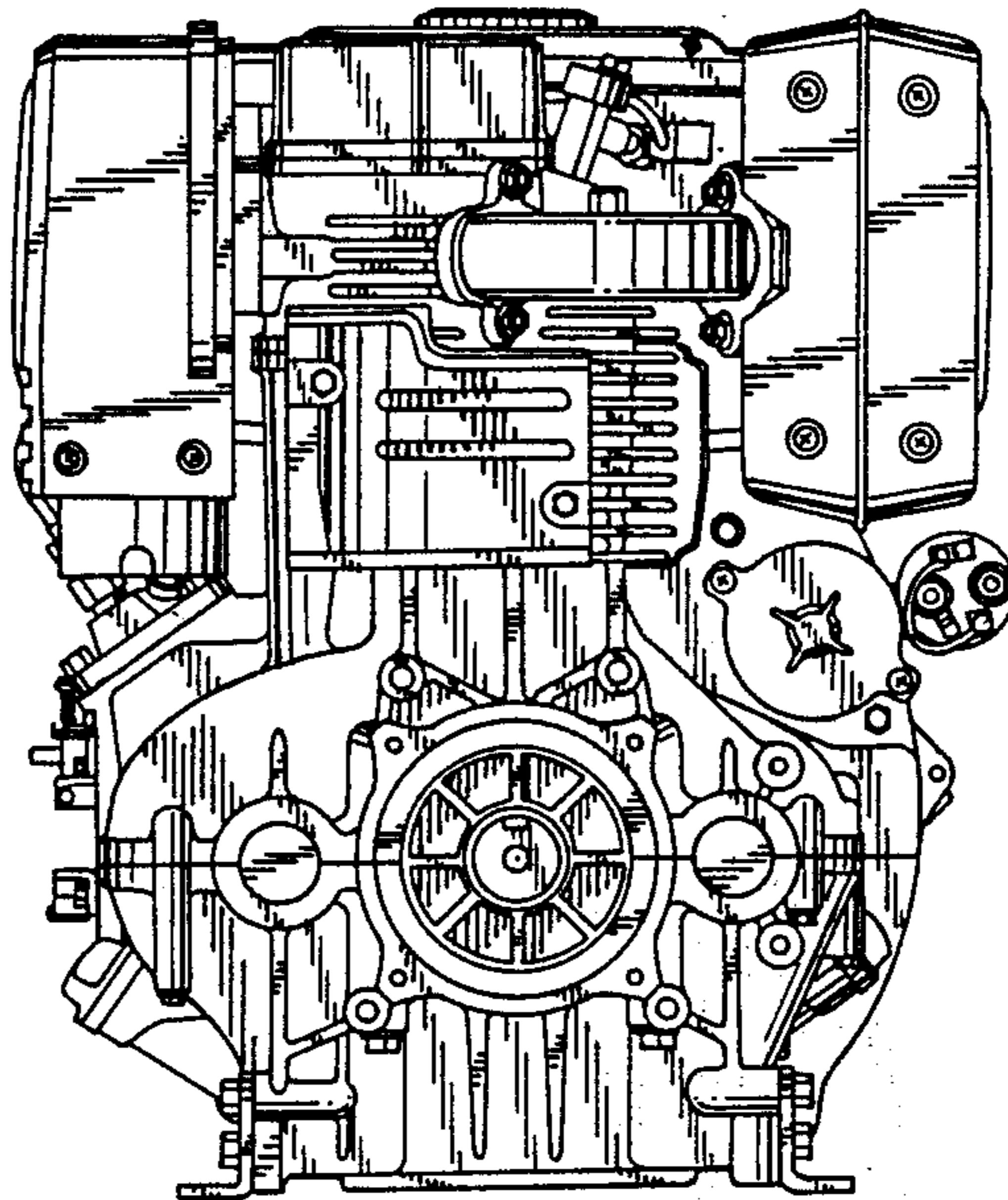


FIG. 3

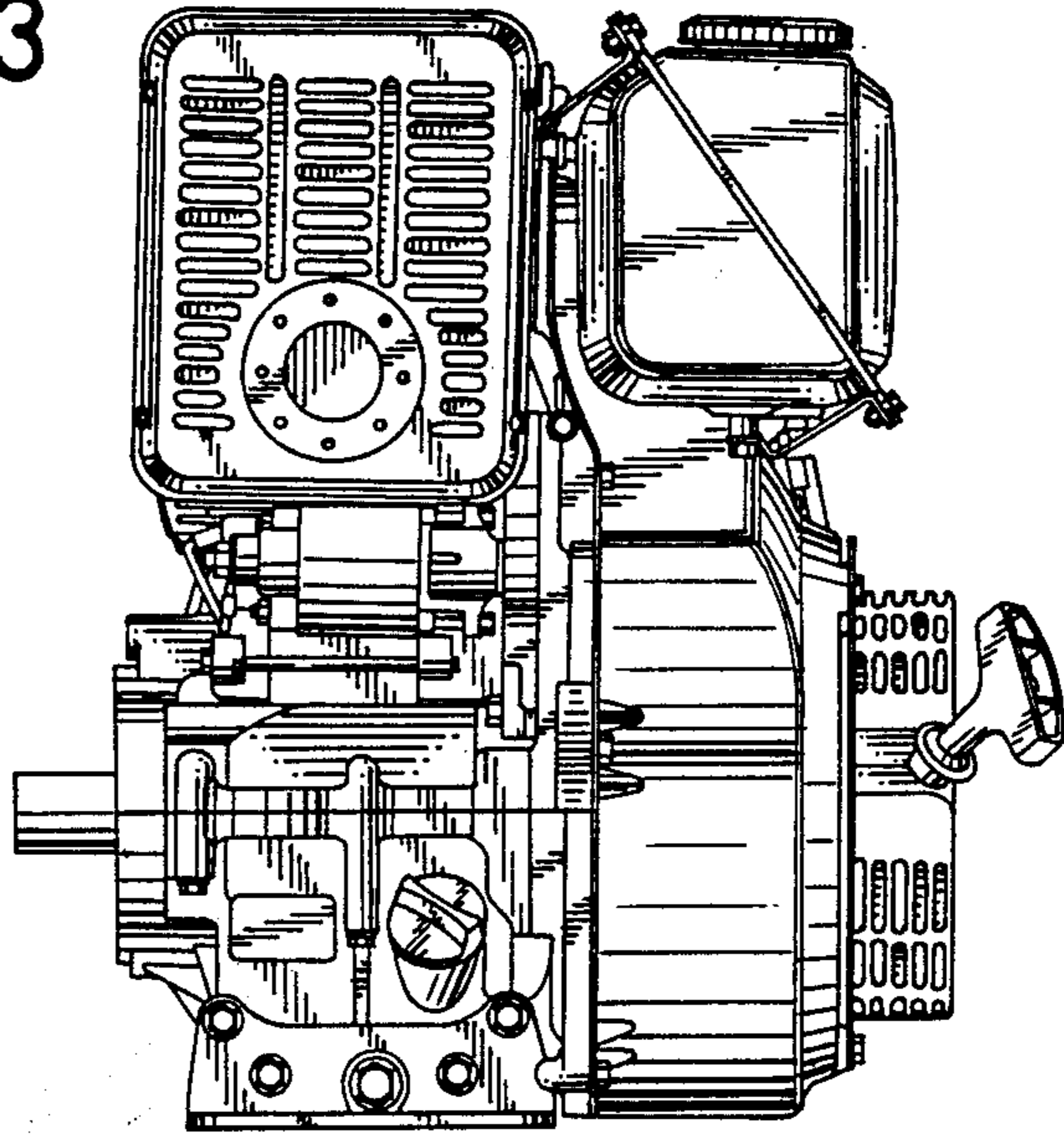


FIG. 4

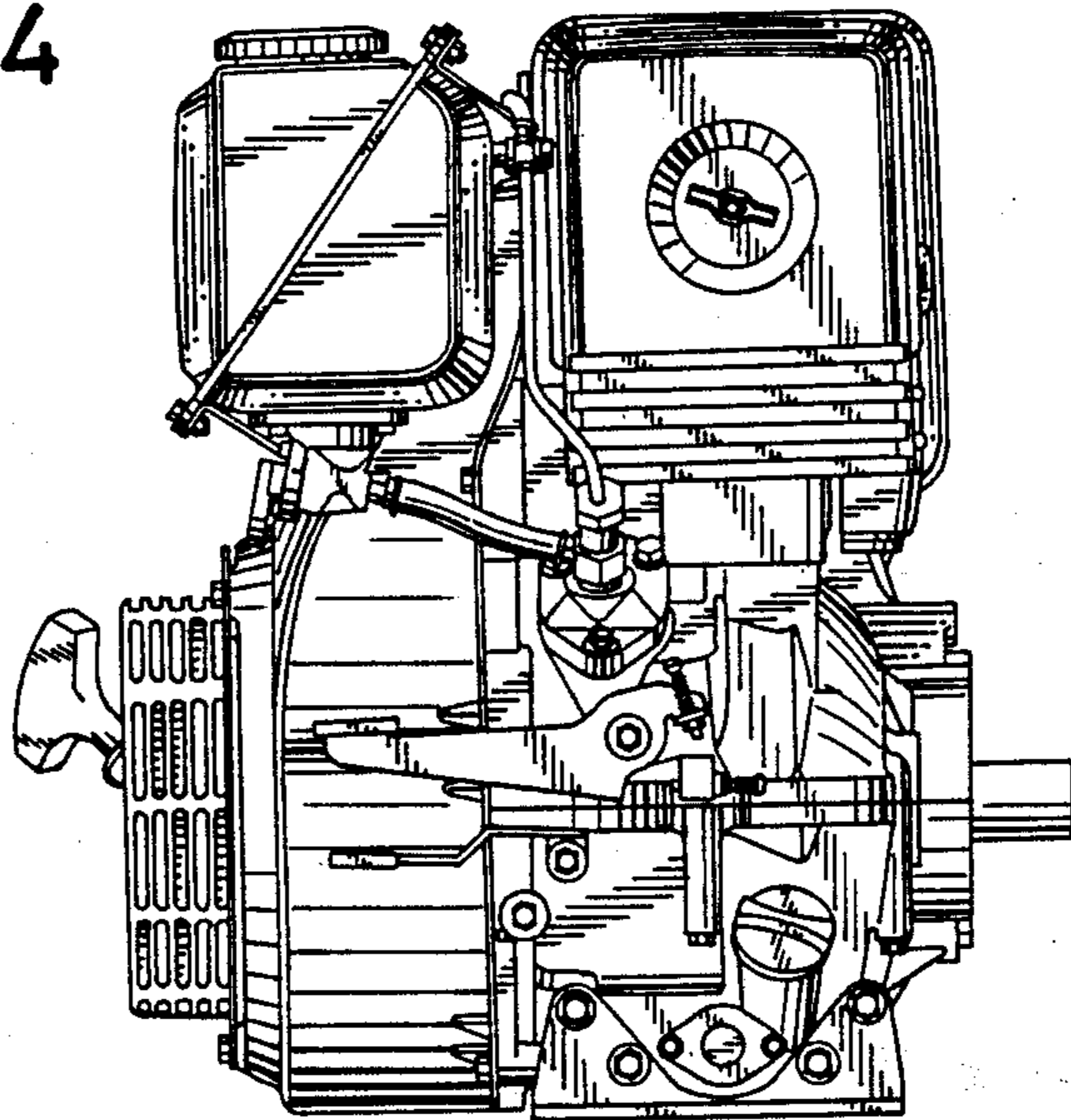


FIG. 5

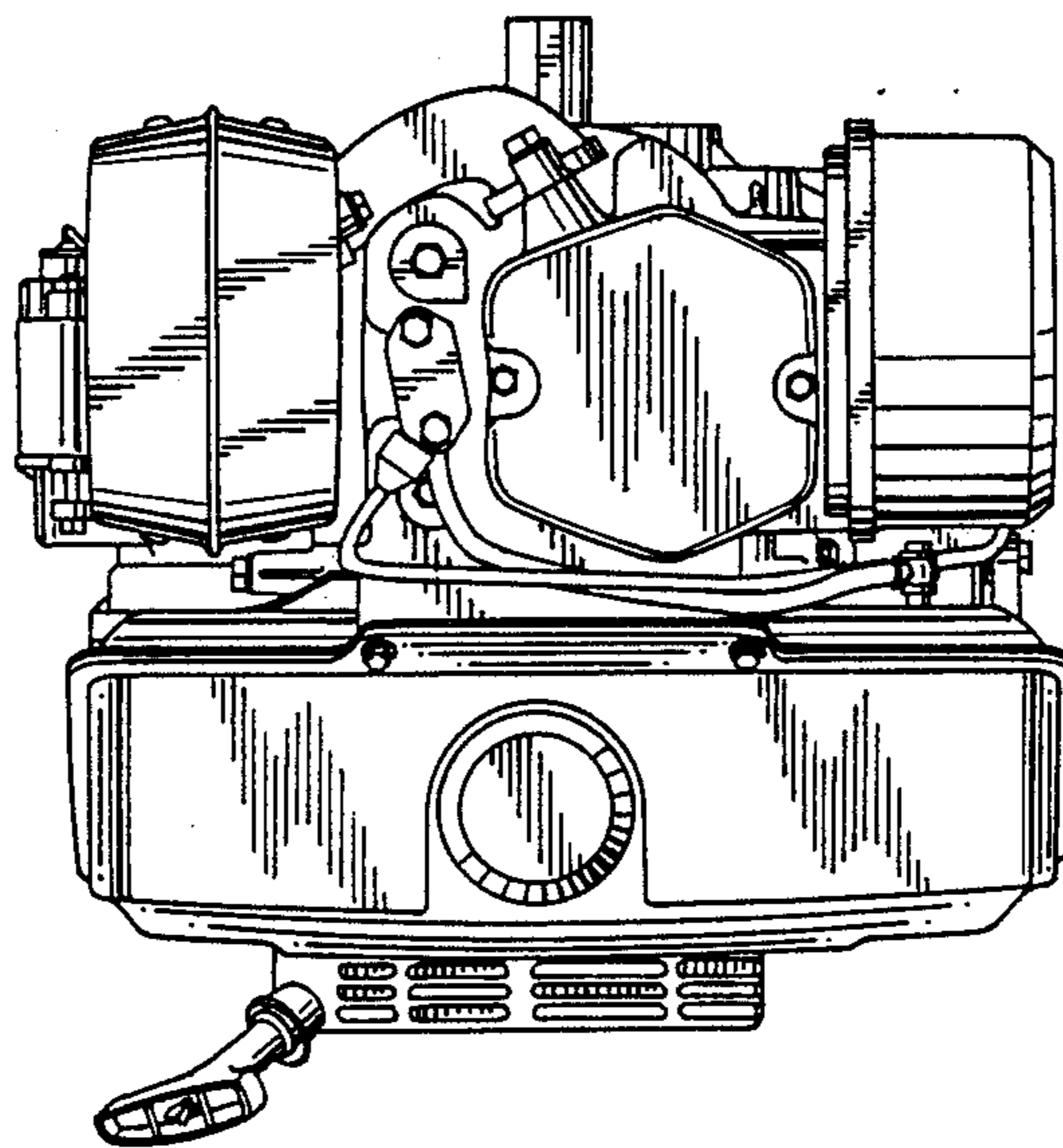


FIG. 6

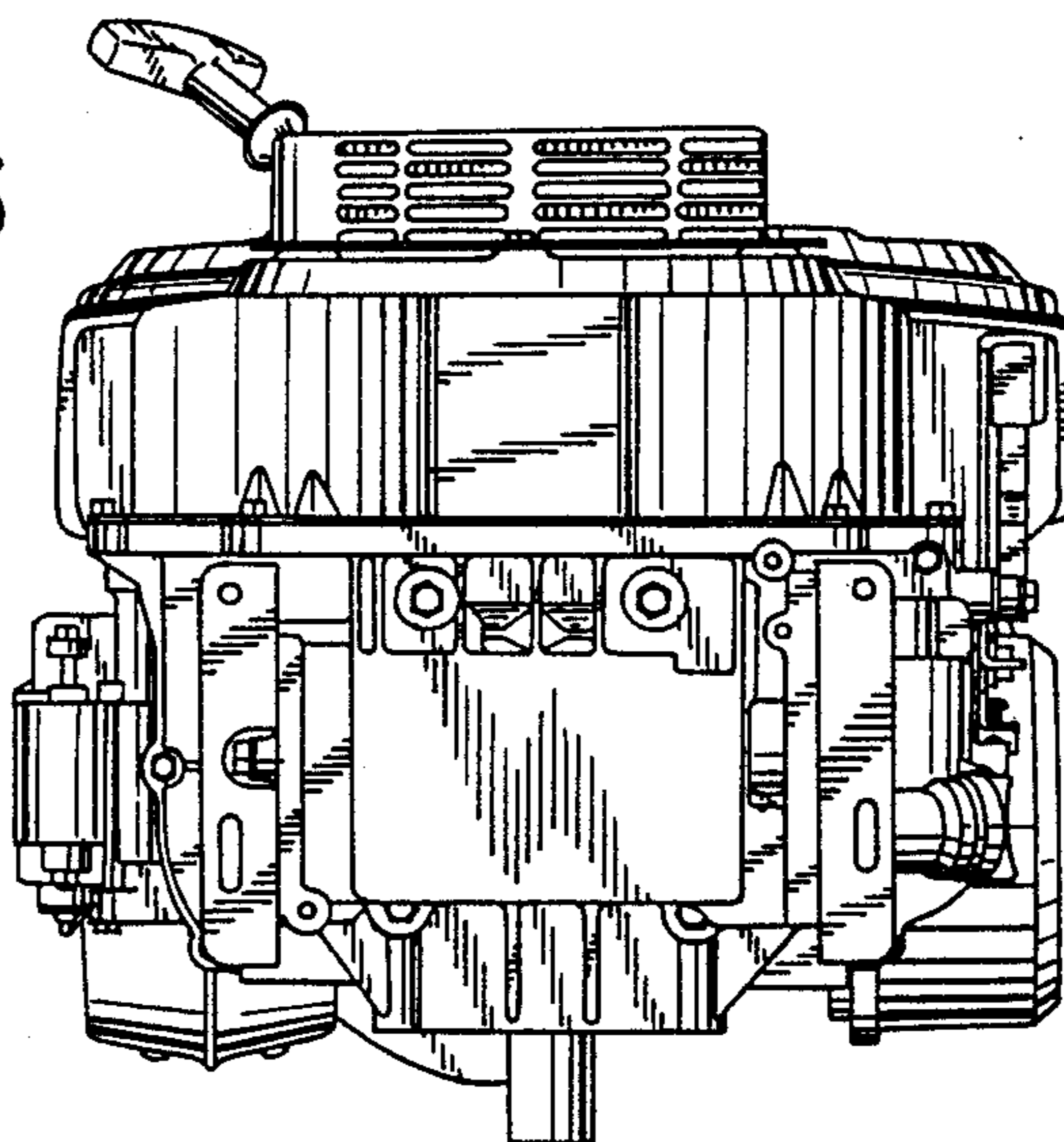


FIG. 7

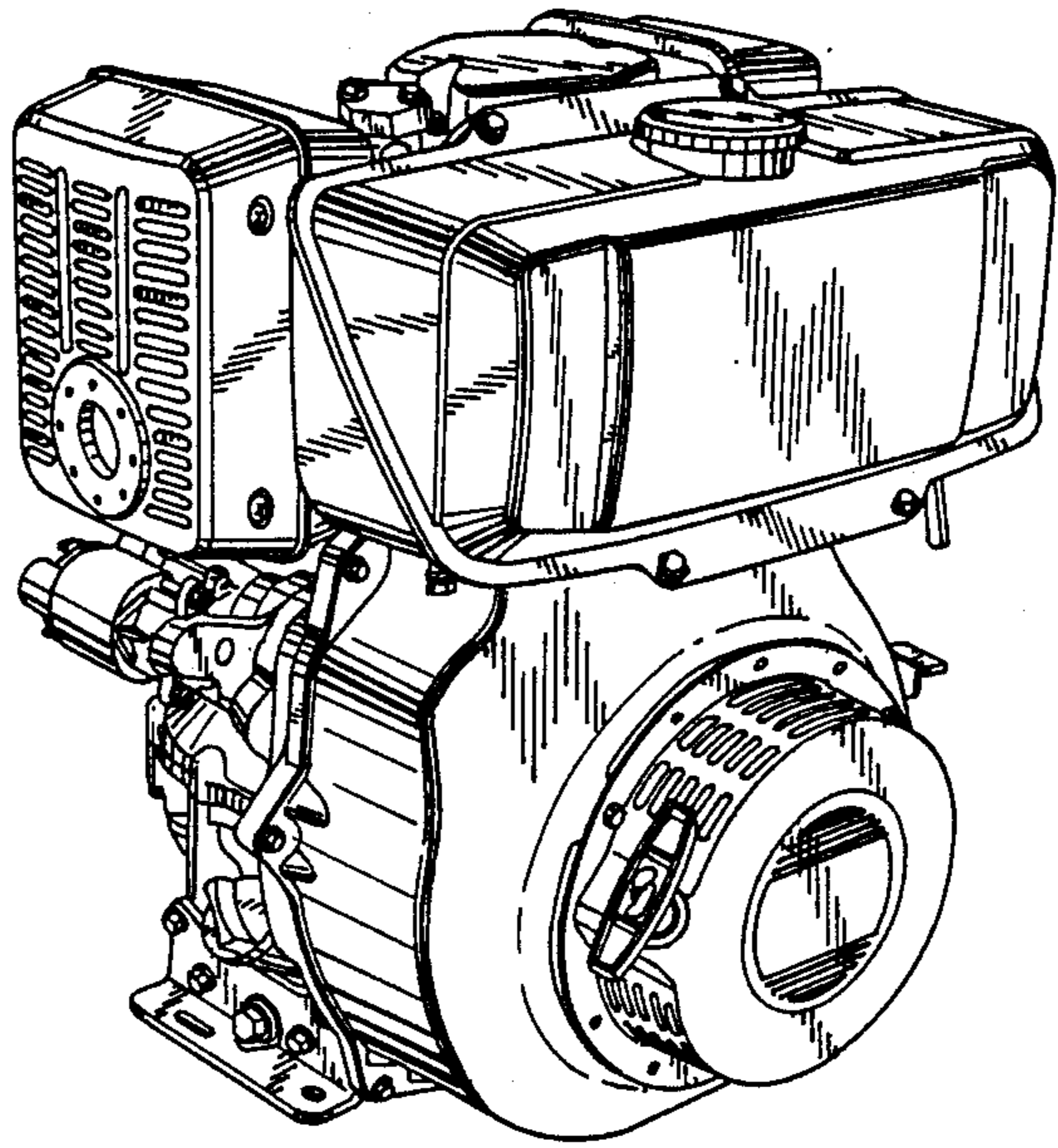


FIG. 8

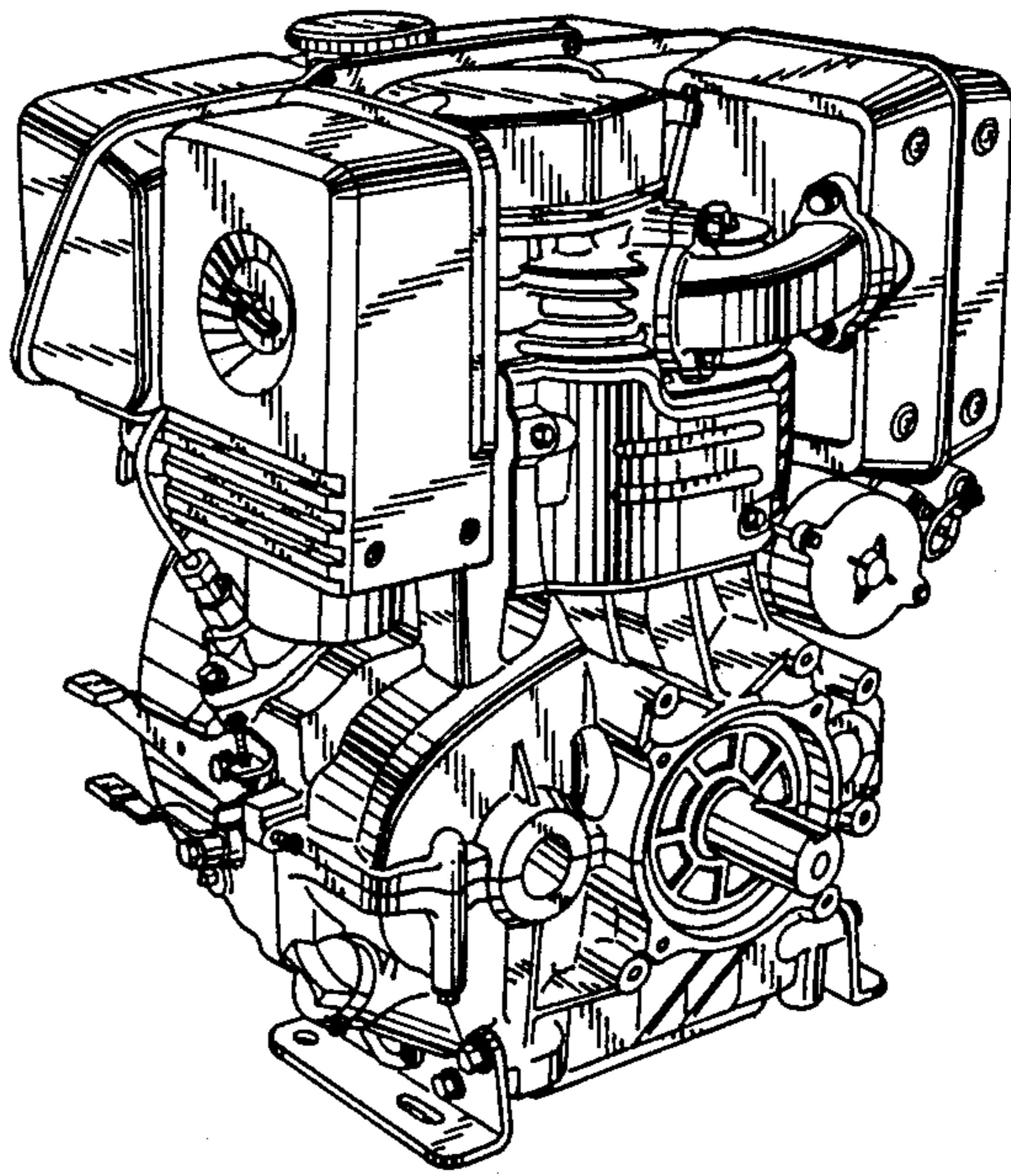


FIG. 9

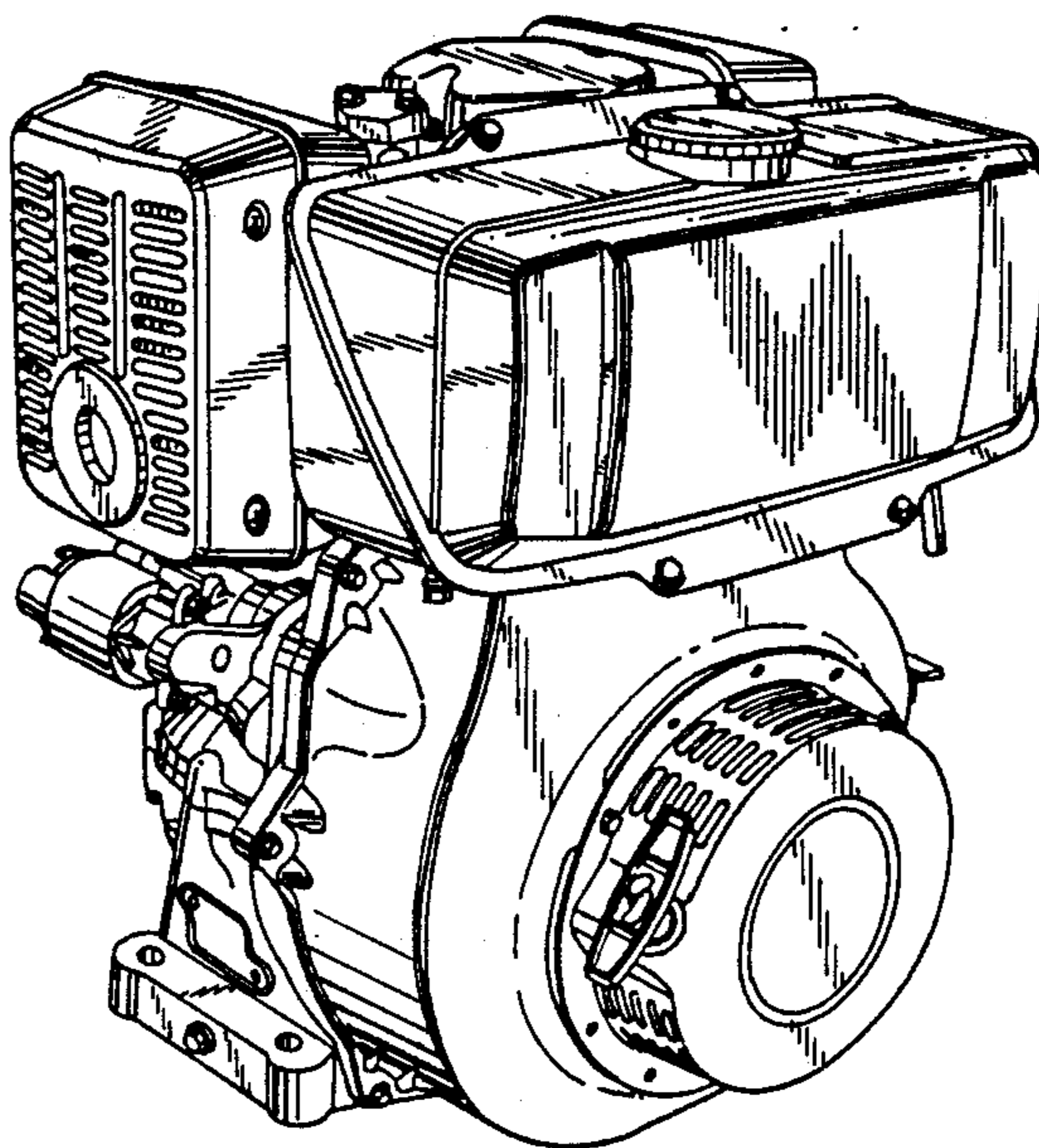


FIG. 10

