

[54] **ULTRA-COMPACT, HAND-HELD LASER SCANNER**

[75] Inventor: Carl H. Knowles, Moorestown, N.J.

[73] Assignee: Metrologic Instruments, Inc., Bellmawr, N.J.

[\*\*] Term: 14 Years

[21] Appl. No.: 102,526

3,964,022 6/1976 Martin ..... 235/472 X  
 4,158,194 6/1979 McWaters et al. .... 235/454 X  
 4,377,741 3/1983 Brekka et al. .... 235/472  
 4,387,297 6/1983 Swartz et al. .... 235/472 X  
 4,575,625 3/1986 Knowles ..... 235/470 X

Primary Examiner—Susan J. Lucas  
 Assistant Examiner—Freda S. Nunn  
 Attorney, Agent, or Firm—Caesar, Rivise, Bernstein, Cohen & Pokotilow, Ltd.

[22] Filed: Sep. 29, 1987

[52] U.S. Cl. .... D14/116

[58] Field of Search ..... D14/100, 105, 107, 114, D14/116; 235/462, 470, 471, 472, 473, 475, 479, 454; 250/203 R, 566, 568, 569, 239; 358/408, 473, 474, 497; 354/80, 81, 82; 355/231, 233; 382/58, 59, 62, 63, 65

[57] CLAIM

The ornamental design for an ultra-compact, hand-held laser scanner, as shown and described.

DESCRIPTION

FIG. 1 is a top, front, left side perspective view of an ultra-compact hand-held laser scanner showing my new design;

FIG. 2 is an enlarged right side elevational view thereof.

FIG. 3 is an enlarged front elevational view thereof;

FIG. 4 is an enlarged rear elevational view thereof;

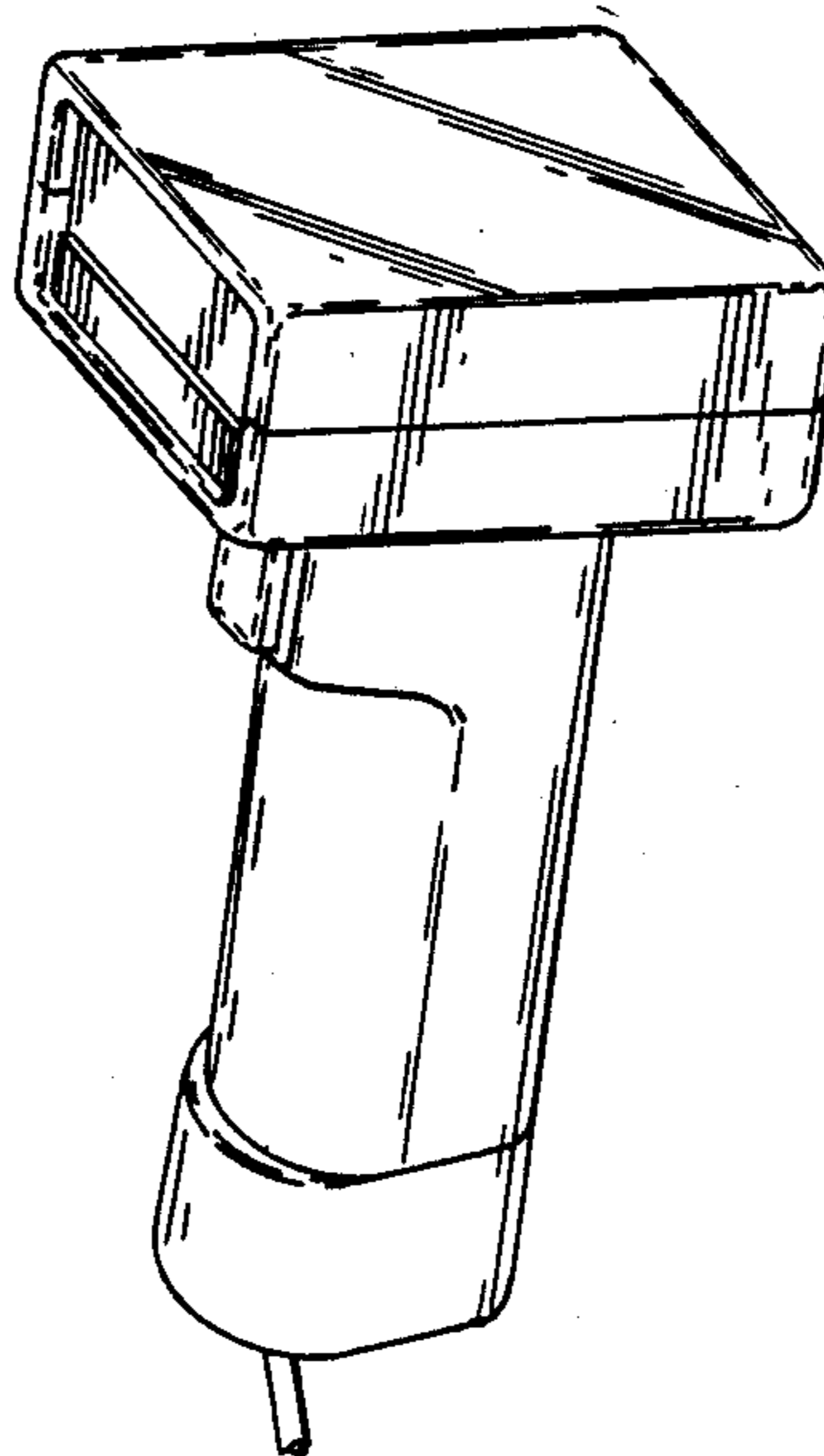
FIG. 5 is an enlarged top plan view thereof; and

FIG. 6 is an enlarged bottom plan view thereof.

[56] **References Cited**

U.S. PATENT DOCUMENTS

D. 248,946 8/1978 Koenig ..... D14/116  
 D. 249,144 8/1978 Flanigan et al. .... D14/116  
 D. 281,977 12/1985 Sklaroff ..... D14/116  
 D. 298,630 11/1988 Sellars, Jr. et al. .... D14/116



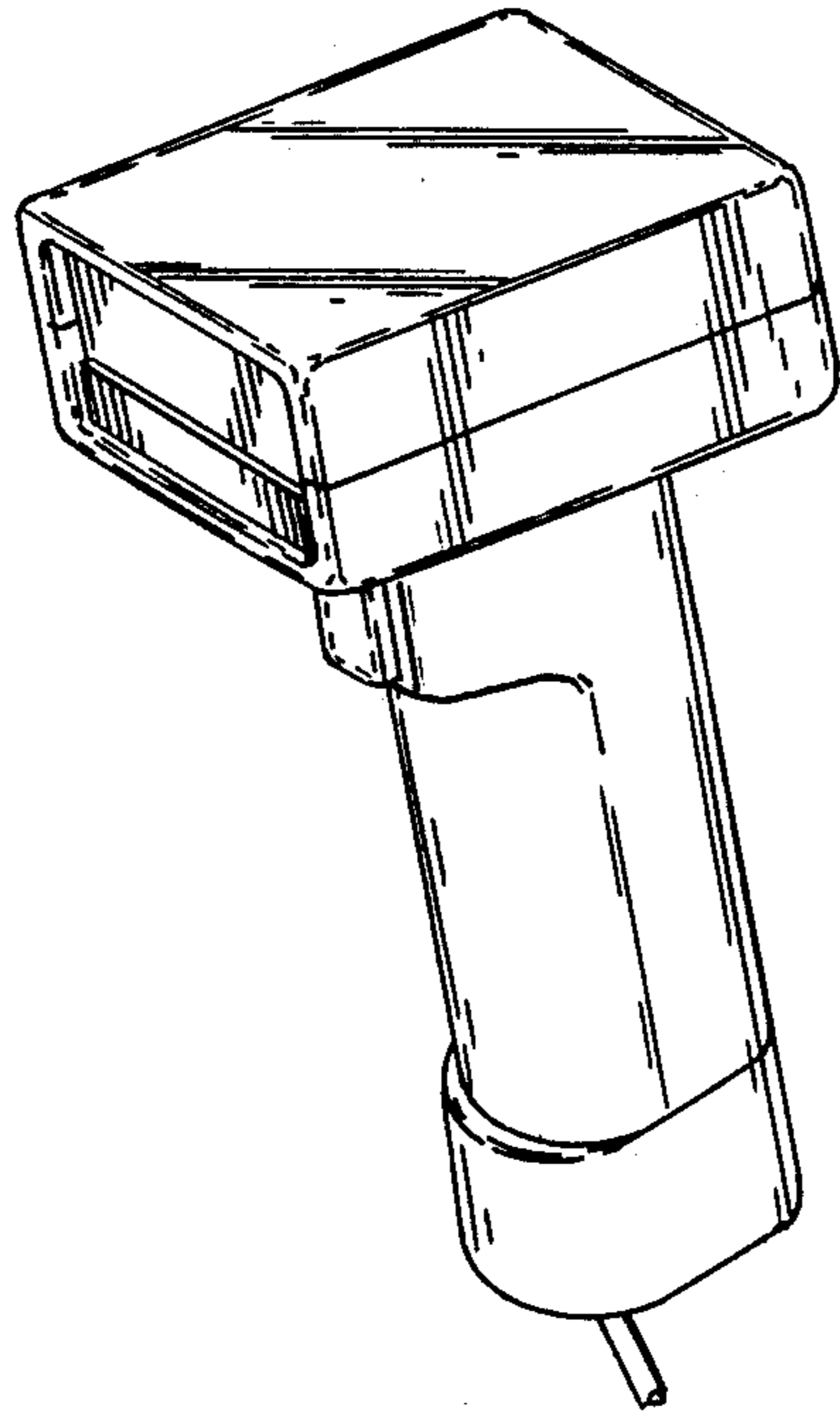


FIG. 1

FIG. 2

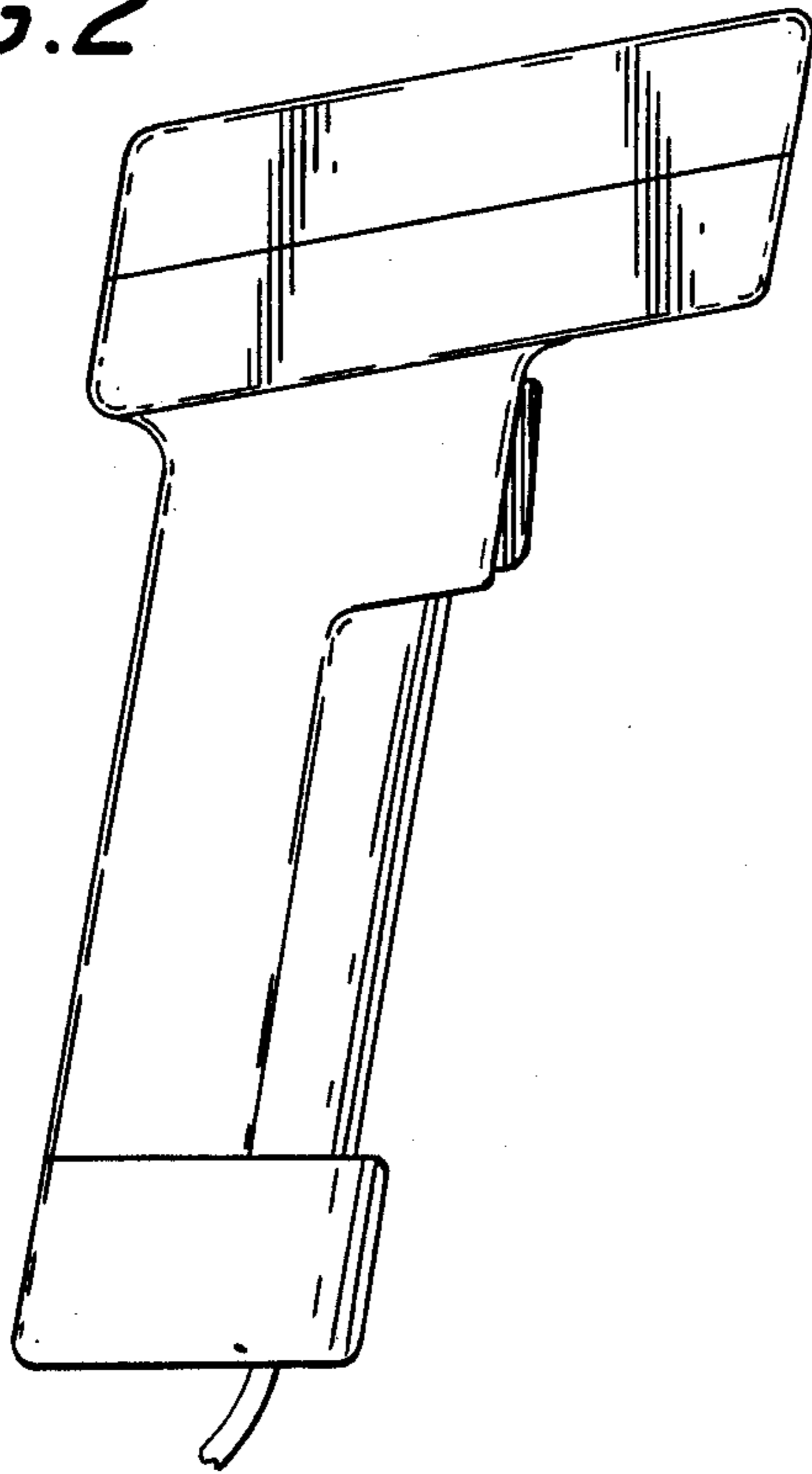
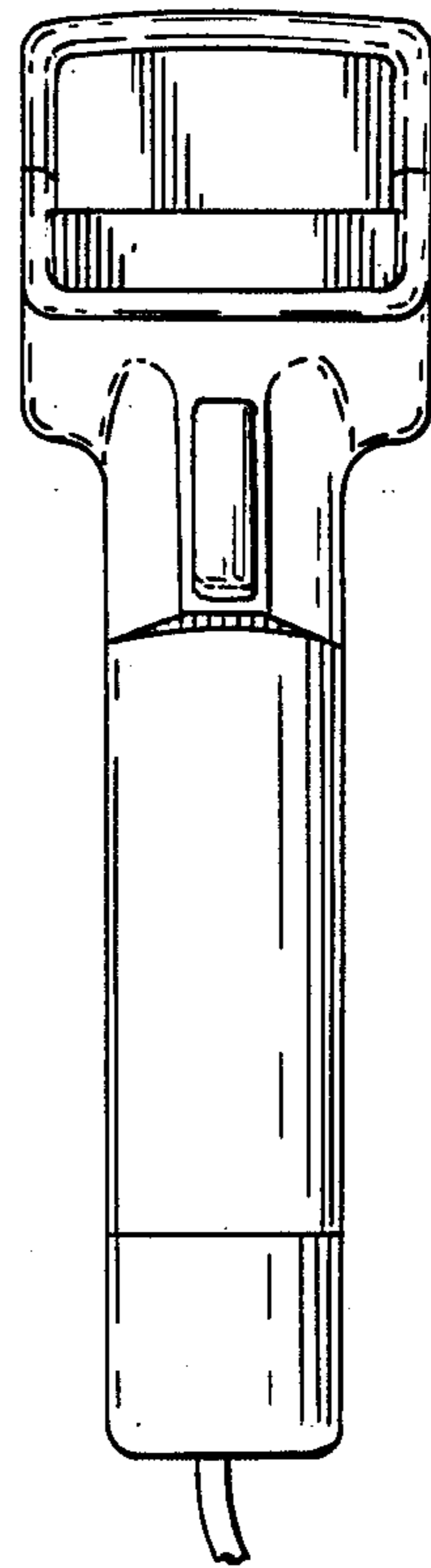
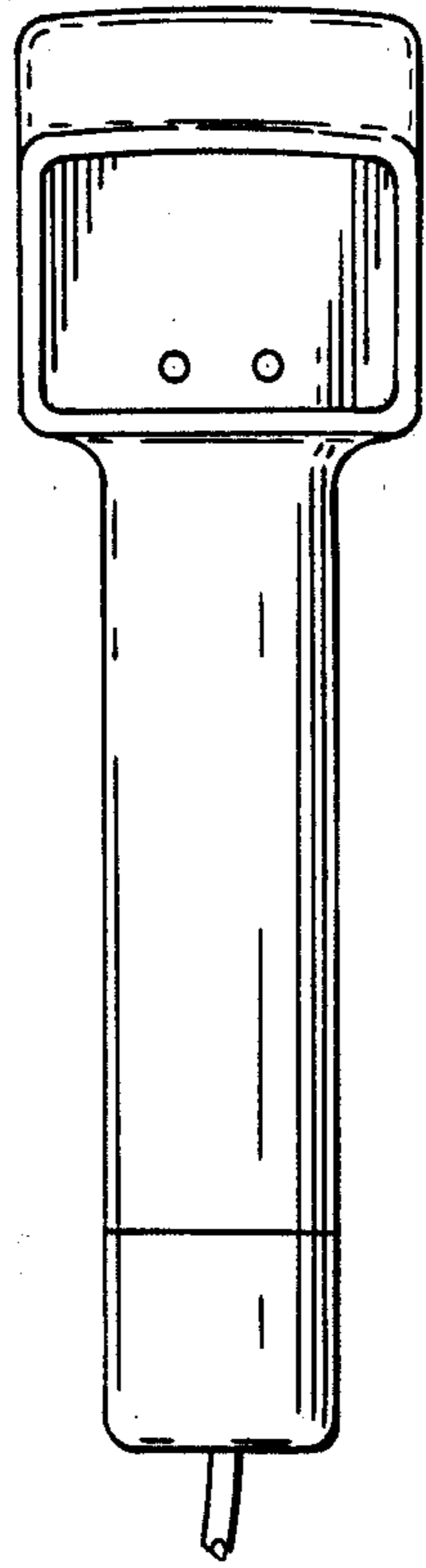
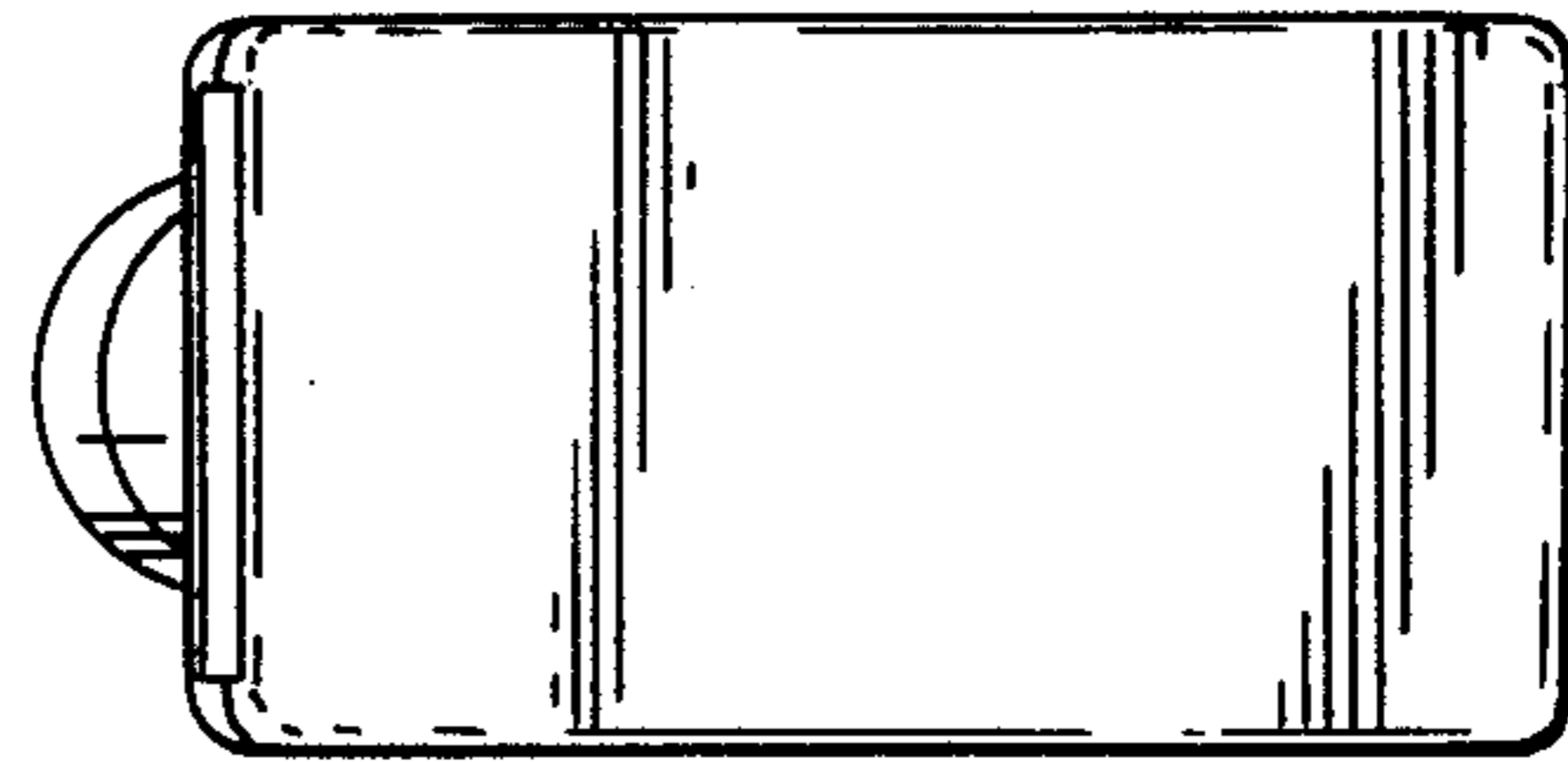


FIG. 3

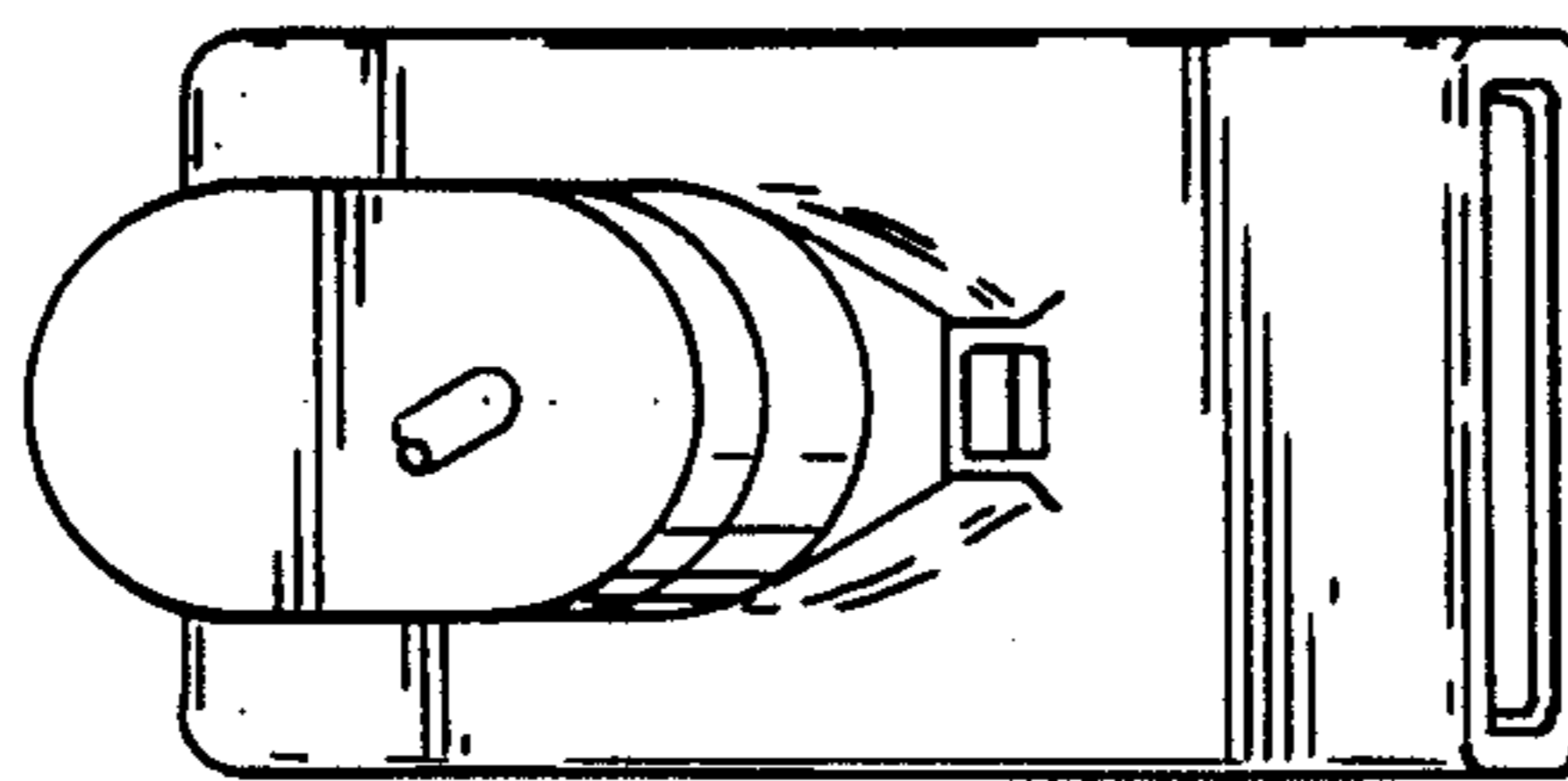




*FIG. 4*



*FIG. 5*



*FIG. 6*