

[54] DATA ENTRY WRITING PAD FOR ELECTRONIC FILING SYSTEM

[75] Inventor: Tooru Makidera, Osaka, Japan

[73] Assignee: Sharp Corporation, Osaka, Japan

[**] Term: 14 Years

[21] Appl. No.: 37,564

[22] Filed: Apr. 13, 1987

[30] Foreign Application Priority Data

Oct. 17, 1986 [JP] Japan 61-41428

[52] U.S. Cl. D14/100; D14/114; D19/52

[58] Field of Search D14/100, 113-116; D10/46; D19/52, 86, 91, 35, 36; 340/306, 309, 706, 707; 178/18, 19; 248/444.1, 441.1, 445-447; 364/708, 709; 250/239, 566, 568; 235/441, 454, 482

[56] References Cited

U.S. PATENT DOCUMENTS

D. 276,732 12/1984 Marquez D19/52
4,638,118 1/1987 Wang et al. 178/18
4,639,720 1/1987 Rympalski et al. 340/707 X

4,785,564 11/1988 Gurtler 340/707 X

FOREIGN PATENT DOCUMENTS

0093544 5/1985 Japan 178/18
8002302 11/1981 Netherlands 178/19

OTHER PUBLICATIONS

Fahrney's Catalog 1977, p. 19—Pen and Pad (J101T).

Primary Examiner—Susan J. Lucas

Assistant Examiner—Freda S. Nunn

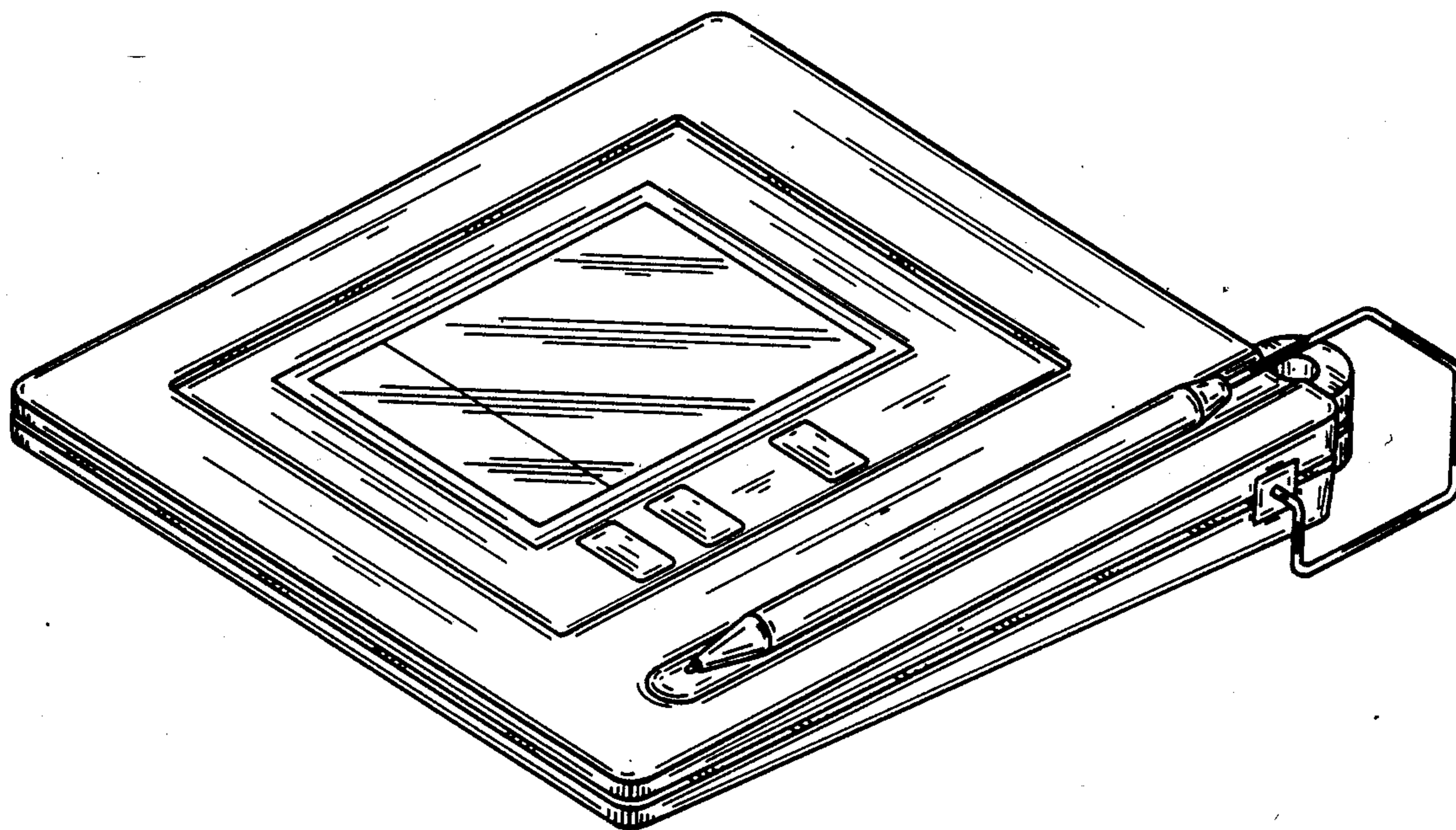
Attorney, Agent, or Firm—Flehr, Hohbach, Test, Albritton & Herbert

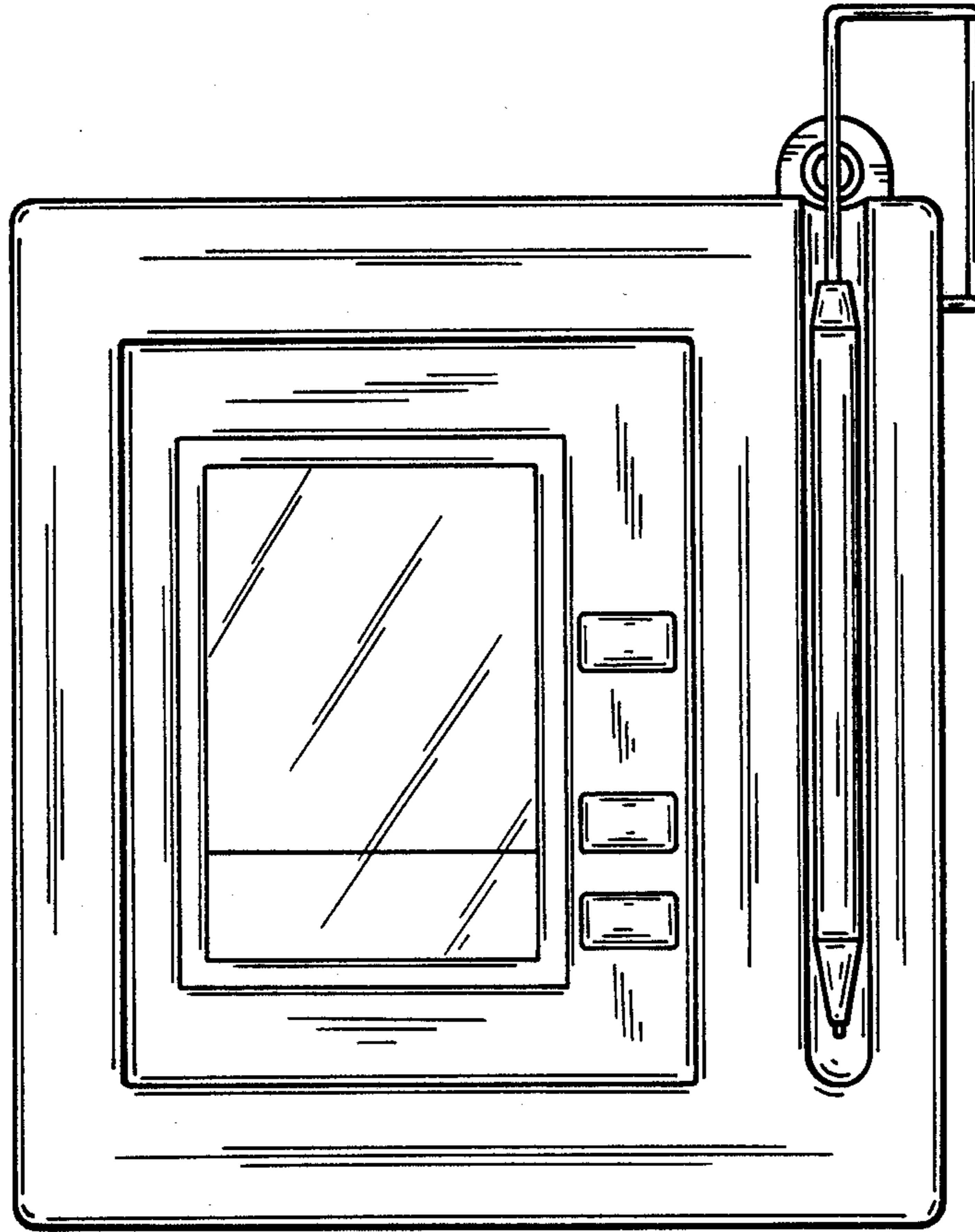
[57] CLAIM

The ornamental design for a data entry writing pad for electronic filing system, as shown and described.

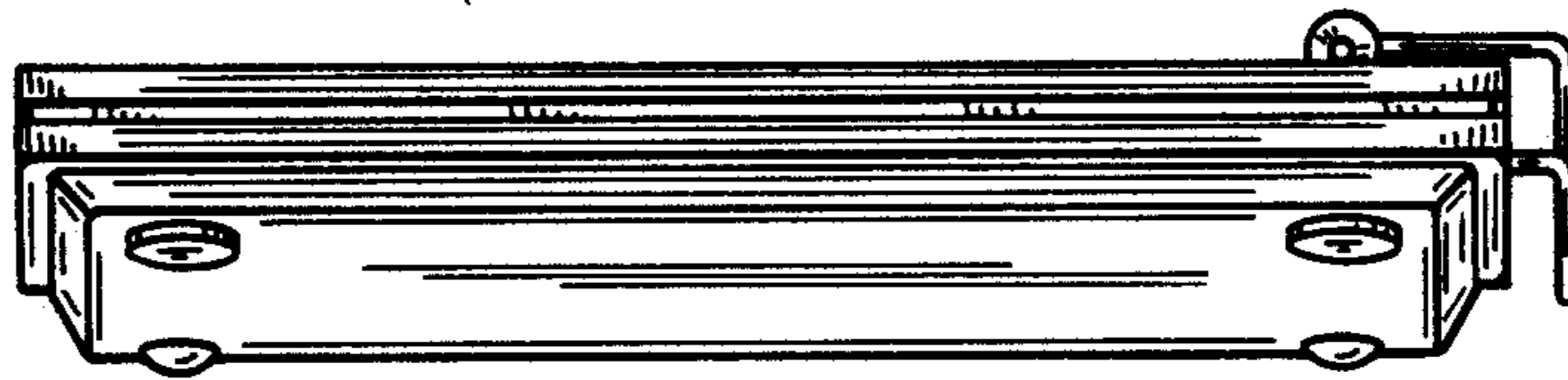
DESCRIPTION

FIG. 1 is a top plan view of a data entry writing pad for electronic filing system showing my new design; FIG. 2 is a bottom plan view thereof; FIG. 3 is a bottom, front perspective view thereof; FIG. 4 is a rear elevational view thereof; FIG. 5 is a right side elevational view thereof; FIG. 6 is a left side elevational view thereof; and FIG. 7 is a top, front, right side perspective view thereof.

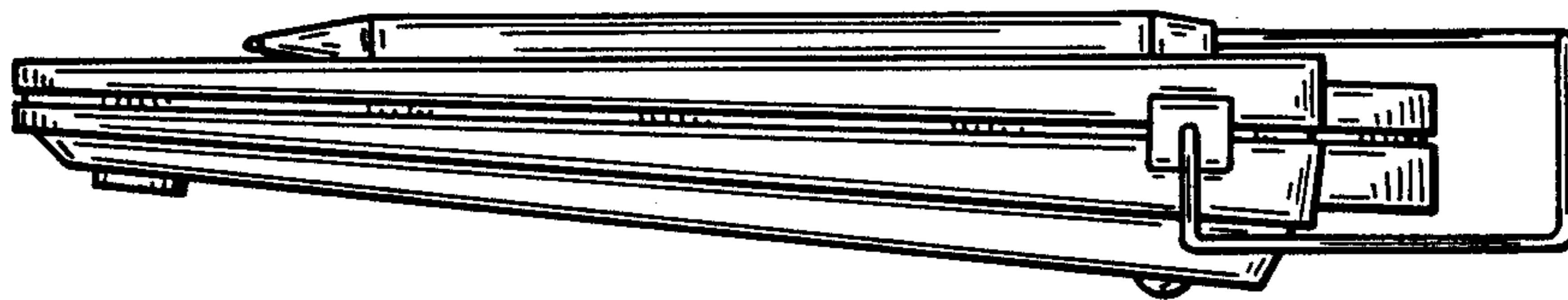




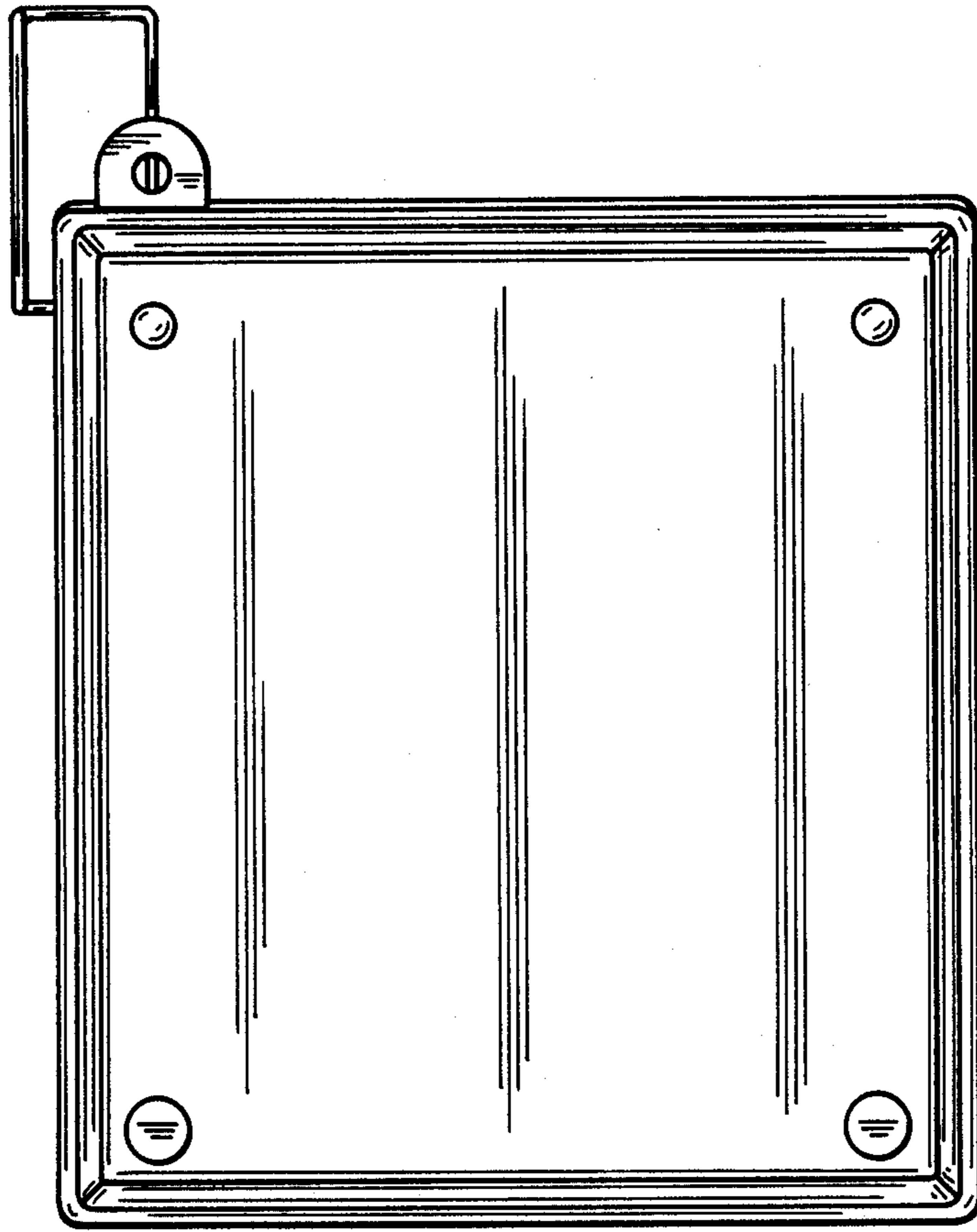
FIG_1



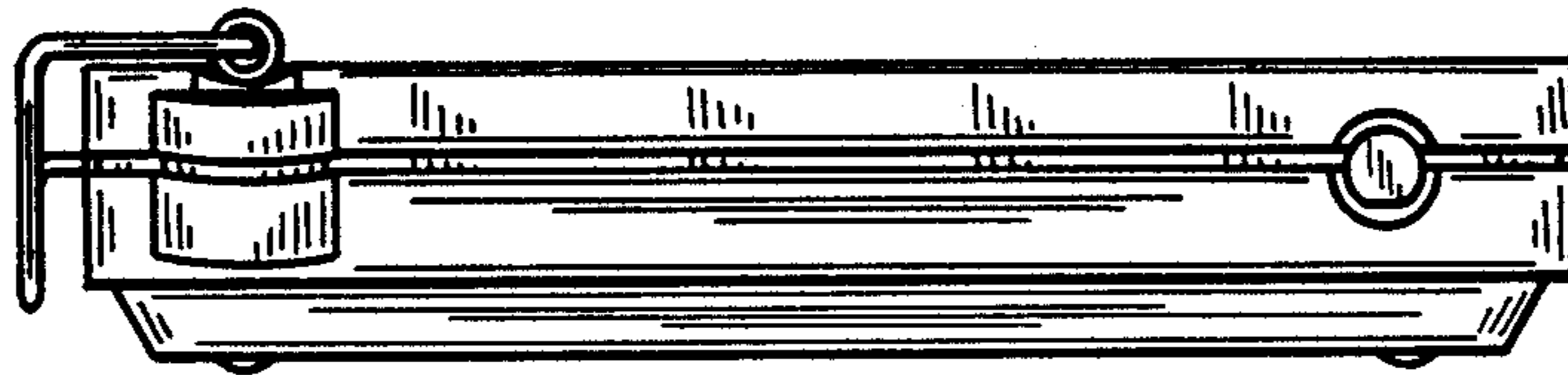
FIG_3



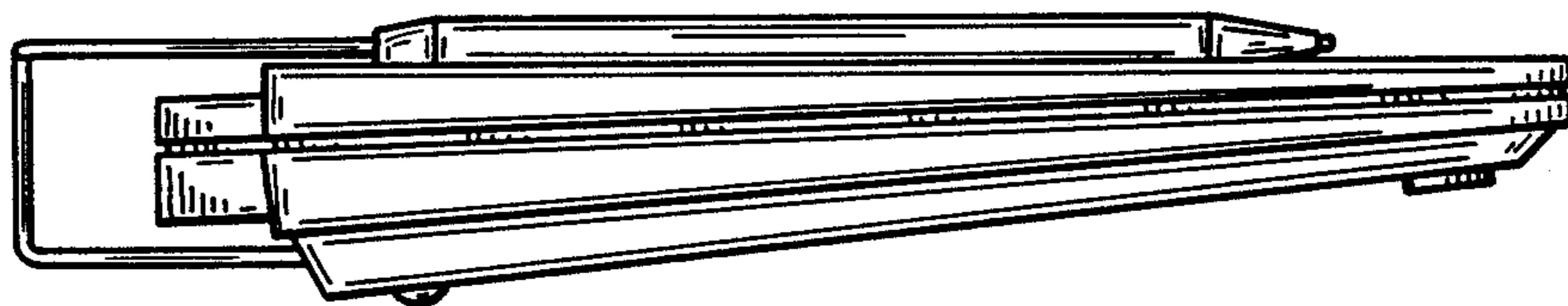
FIG_5



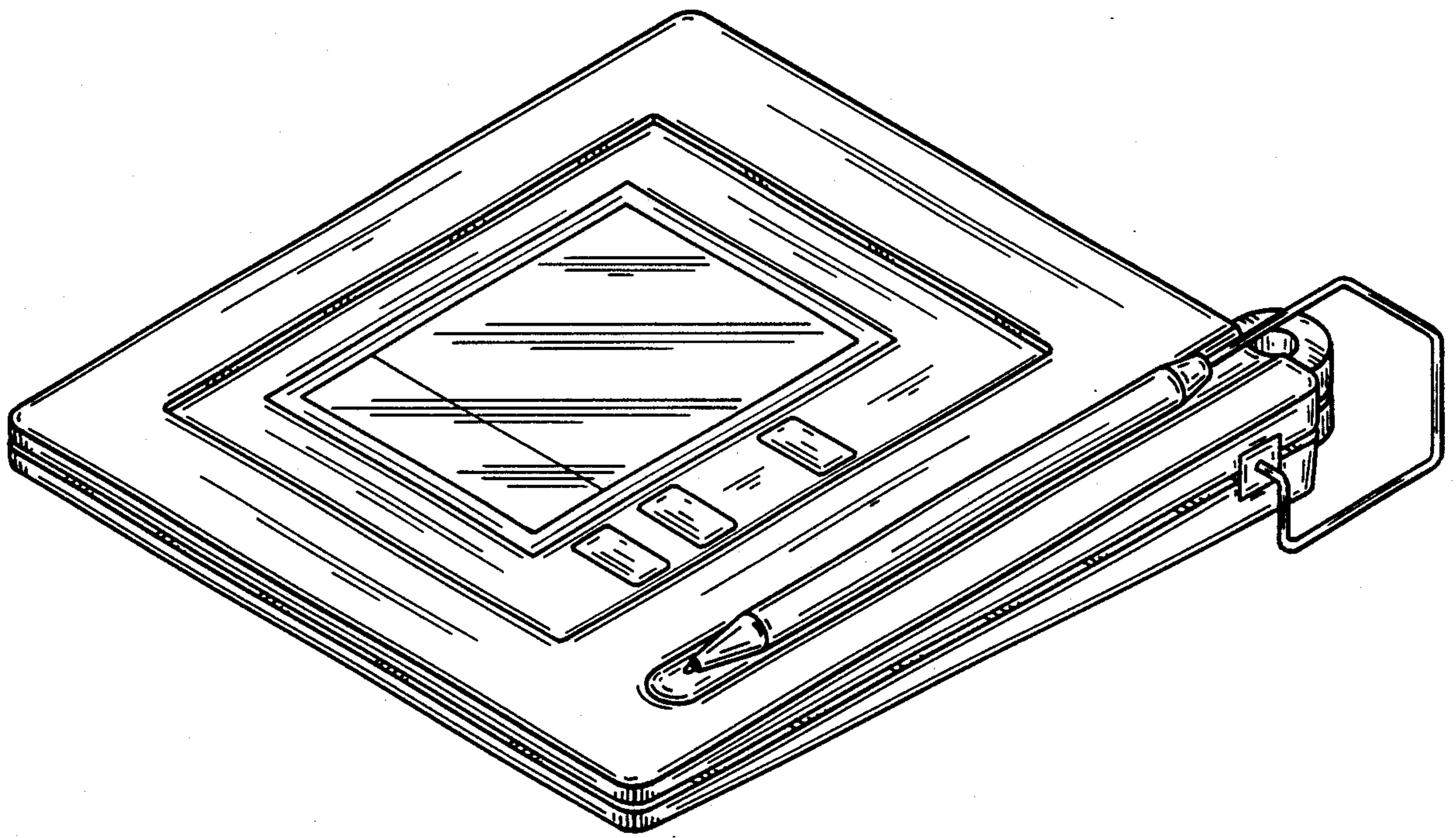
FIG_2



FIG_4



FIG_6



FIG_7