

[54] PLANT STARTER POT

[76] Inventor: Terry L. Lene, Rte. 9, Box 1410, Beaumont, Tex. 77706

[**] Term: 14 Years

[21] Appl. No.: 118,642

[22] Filed: Nov. 9, 1987

[52] U.S. Cl. D11/151; D11/152

[58] Field of Search D11/143-156, D11/164; 47/66, 72, 73, 77

FOREIGN PATENT DOCUMENTS

0017413 of 1899 United Kingdom D11/152

OTHER PUBLICATIONS

Handbook of Designs & Devices; by Clarence P. Hornung; ©1932; p. 6; symbol 46.

Primary Examiner—B. J. Bullock

Attorney, Agent, or Firm—Jerry T. Kearns

[57] CLAIM

The ornamental design for a plant starter pot, as shown and described.

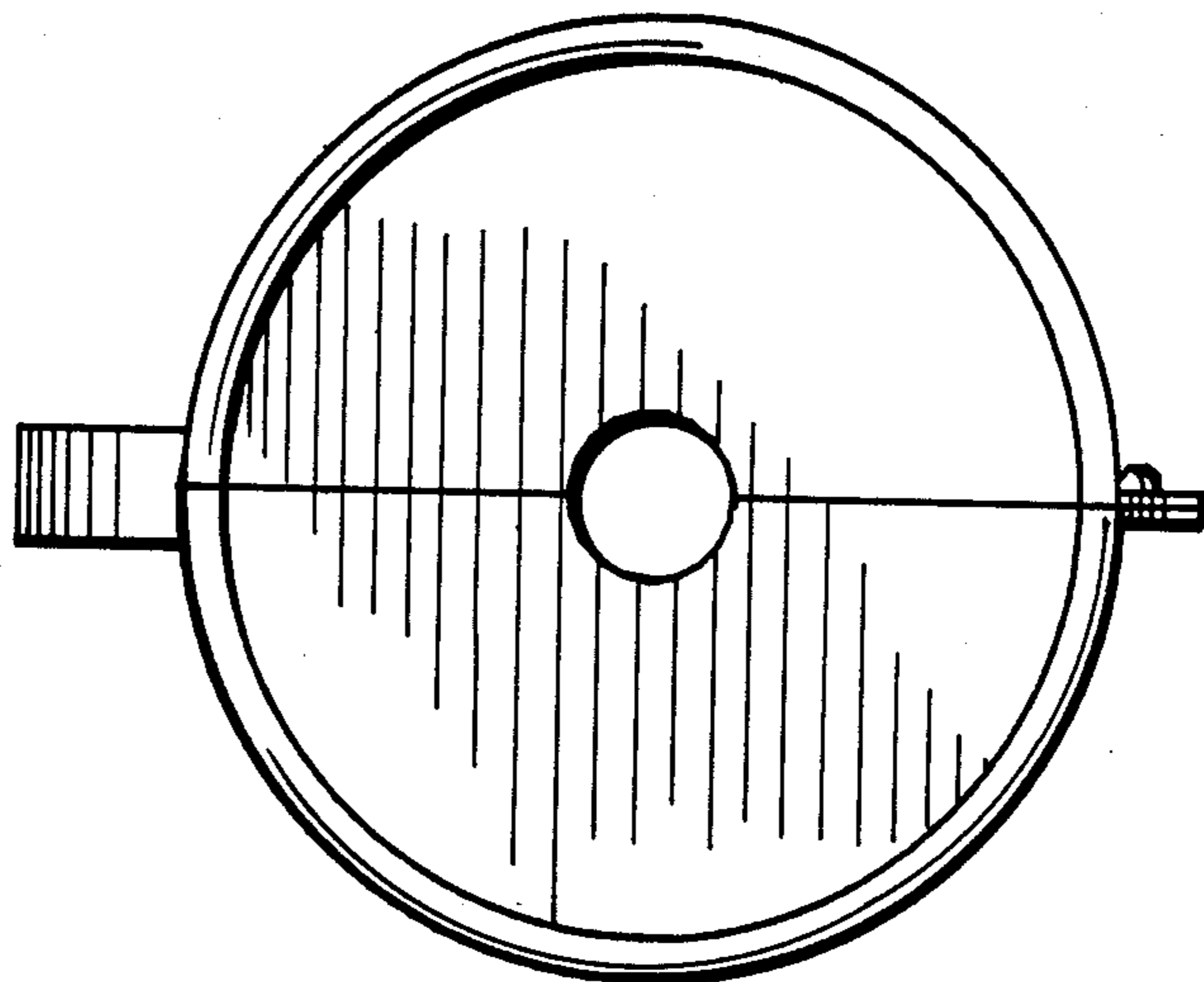
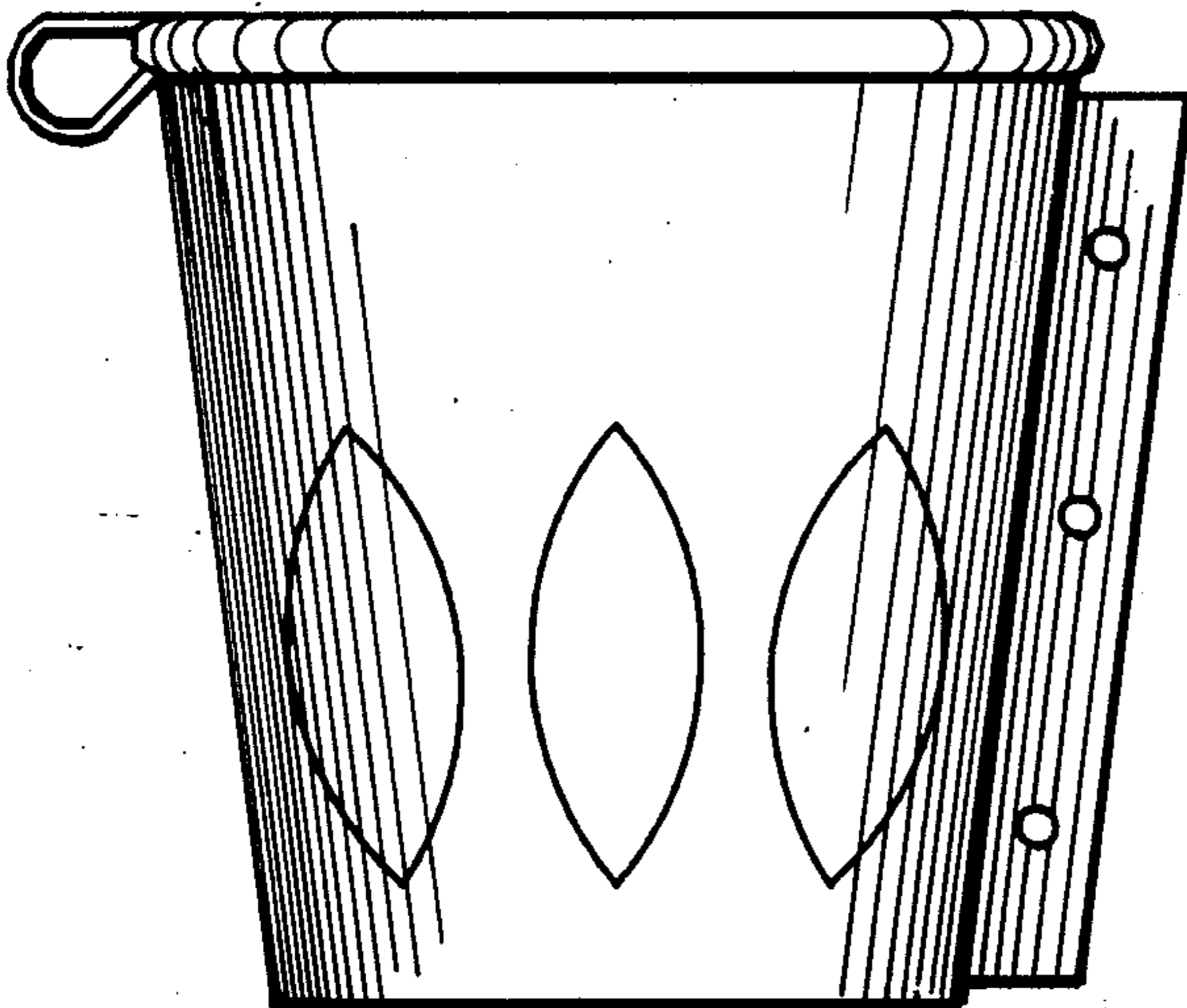
[56] References Cited

U.S. PATENT DOCUMENTS

Re. 16,690	7/1927	Everett	47/77
D. 287,346	12/1986	Bussell	D11/151
411,739	9/1889	Thayer	47/73
437,565	9/1890	Byrne	47/73
592,066	10/1897	Simpson	47/73
2,083,571	6/1937	Levandowsky	47/73

DESCRIPTION

FIG. 1 is a front elevational view of a plant starter pot showing my new design; FIG. 2 is a rear elevational view thereof; FIG. 3 is a left side elevational view thereof; FIG. 4 is a right side elevational view thereof; FIG. 5 is a top plan view thereof; and, FIG. 6 is a bottom plan view thereof.



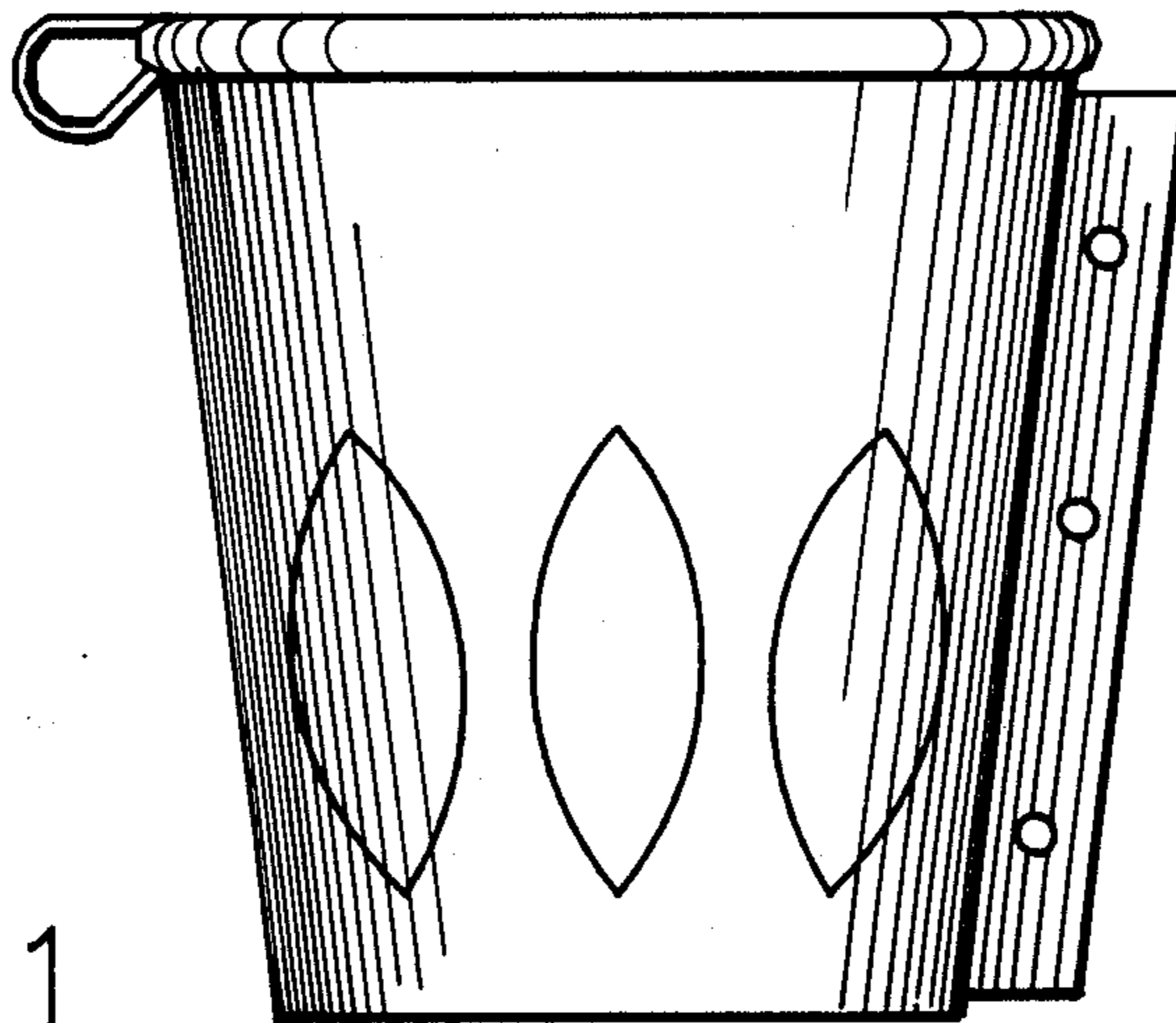


Fig. 1

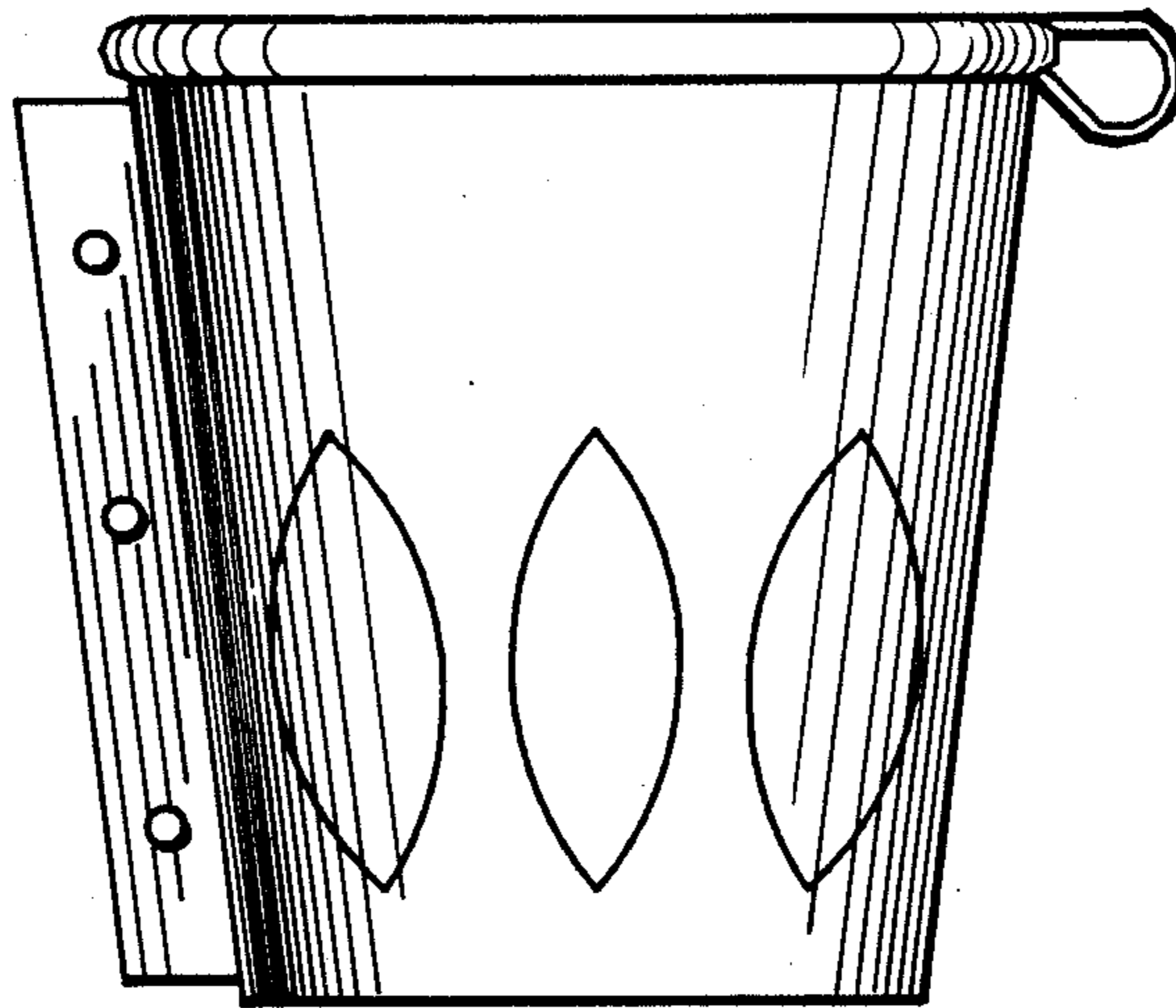


Fig. 2

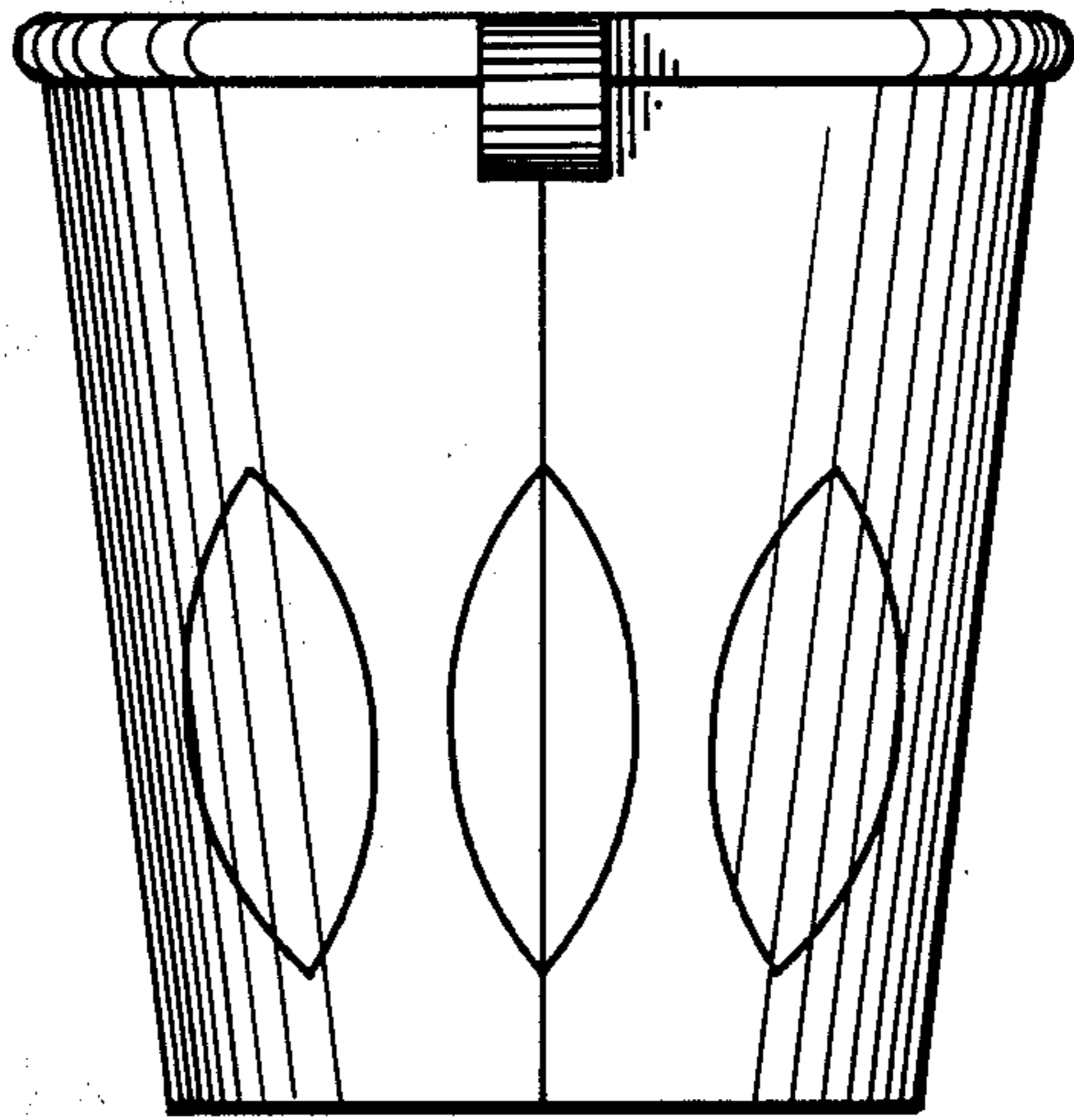


Fig. 3

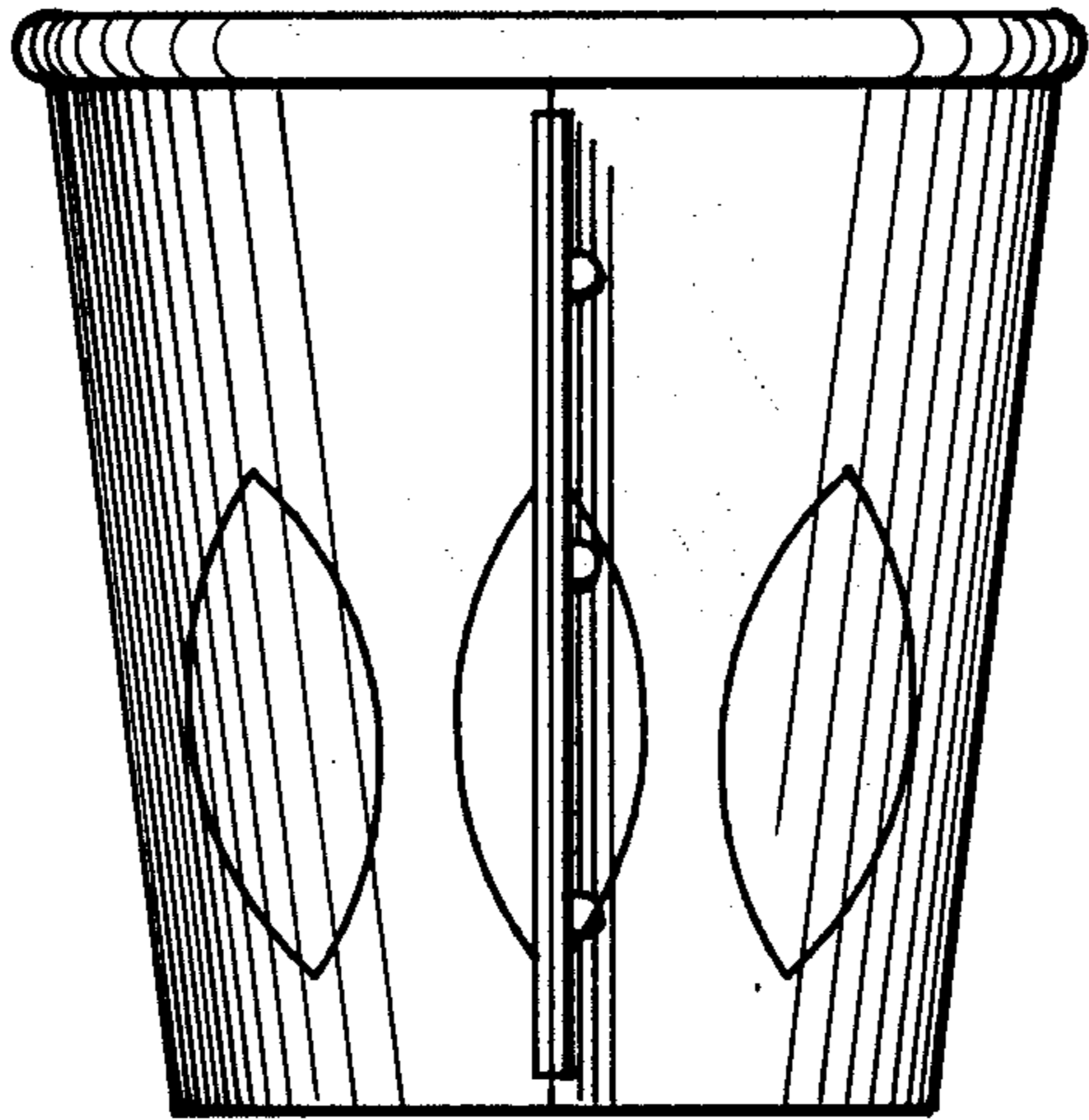


Fig. 4

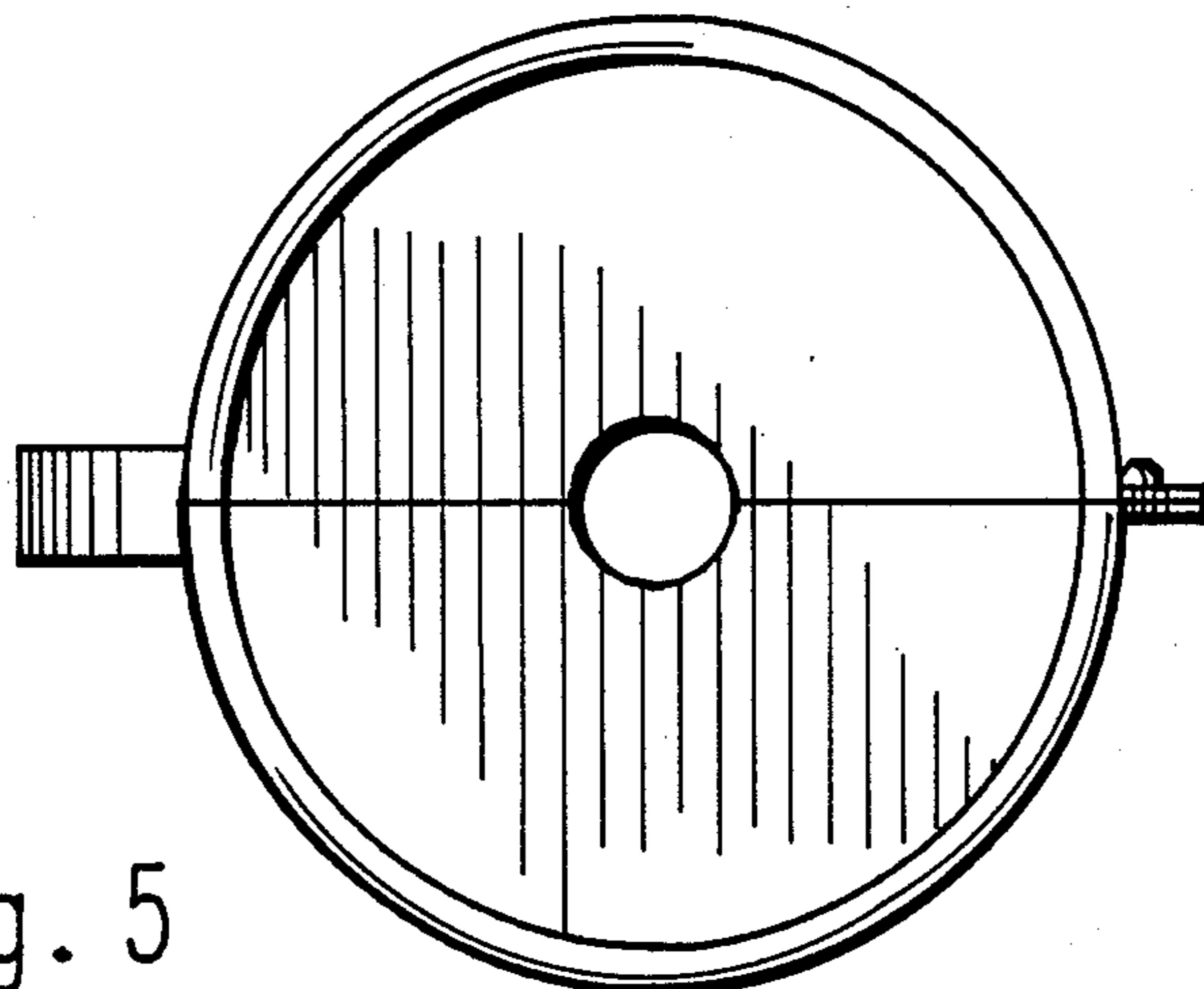


Fig. 5

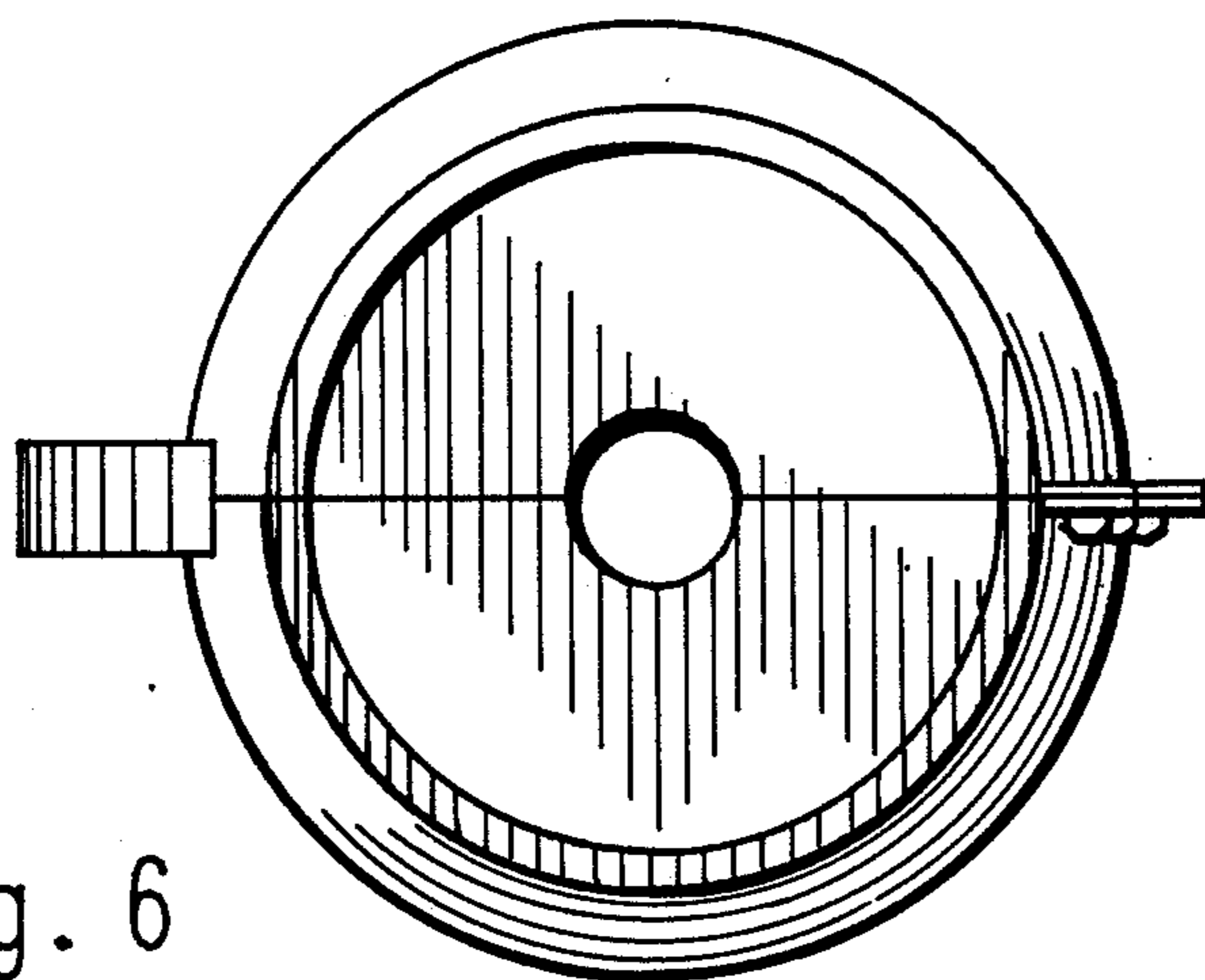


Fig. 6