

[54] **TIRE**

[75] **Inventor: Michael I. Wischhusen, Greenville, S.C.**

[73] **Assignee: Michelin Recherche et Technique, Switzerland**

[**] **Term: 14 Years**

[21] **Appl. No.: 113,809**

[22] **Filed: Oct. 26, 1987**

[52] **U.S. Cl. D12/147**

[58] **Field of Search D12/145-151, D12/136; 152/209 R, 209 B, 209 D**

[56] **References Cited**

U.S. PATENT DOCUMENTS

- D. 230,533 2/1974 Woford D12/151
- D. 269,337 6/1983 Maeda et al. D12/149
- D. 287,707 1/1987 Cain D12/147

OTHER PUBLICATIONS

- Tire Design Guide, 1987, p. 111, Dayton Trans Rib LT.
- Tire Design Guide, 1987, p. 122, Firestone All Terrain.
- Tire Design Guide, 1979, p. 138, COOP Cargo Carrier Radial.
- Tire Design Guide, 1979, p. 184, STAR Super Hi-Way Steel Radial.

Primary Examiner—James M. Gandy
Attorney, Agent, or Firm—Finnegan, Henderson, Farabow, Garrett & Dunner

[57] **CLAIM**

The ornamental design for a tire, as shown and described.

DESCRIPTION

FIG. 1 is a perspective view of a tire showing my new design, it being understood that the tread pattern is repeated throughout the circumference of the tire, as shown schematically by solid lines, the opposite side being substantially the same as that illustrated.

FIG. 2 is an enlarged fragmentary end elevation view thereof.

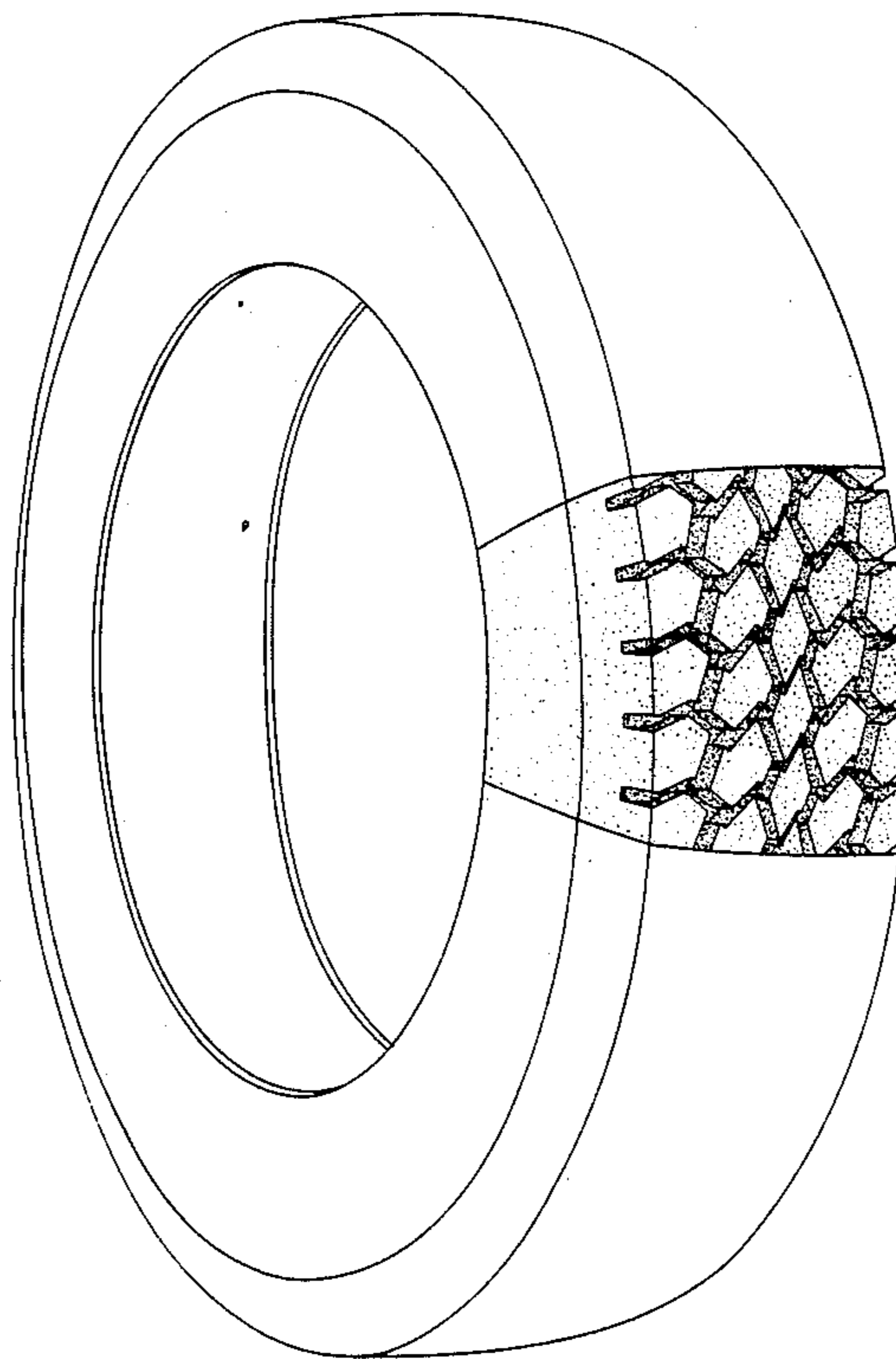


FIG. 1

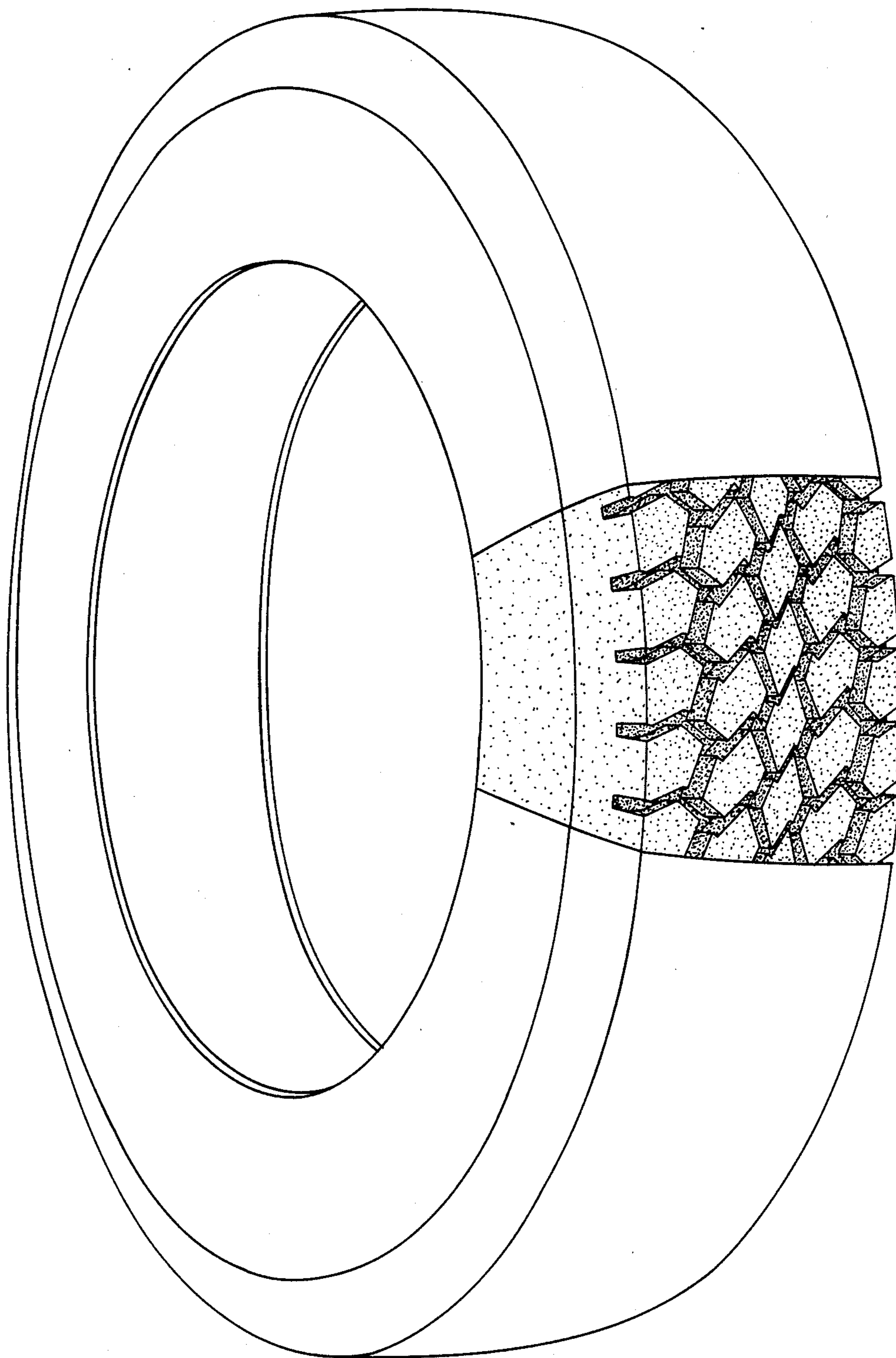


FIG. 2

