

- [54] TIRE
- [75] Inventor: Ron L. Messer, Simpsonville, S.C.
- [73] Assignee: Michelin Recherche et Technique, Switzerland
- [**] Term: 14 Years
- [21] Appl. No.: 82,183
- [22] Filed: Aug. 6, 1987
- [52] U.S. Cl. D12/147
- [58] Field of Search D12/141-143, D12/145-151; 152/209 R, 209 B, 209 D

1025342 8/1985 United Kingdom .

OTHER PUBLICATIONS

Tire Design Guide, 1987, p. 81, Yokohama AX-340.
 Tire Design Guide, 1987, p. 59, Pierlli P 77.
 Tire Design Guide, 1987, p. 57, Patriot 200 SR.
 Tire Design Guide, 1987, p. 4, Summit Steel Belted Radial and p. 86 Triumph Steelbelted Radial.

Primary Examiner—James M. Gandy
 Attorney, Agent, or Firm—Finnegan, Henderson, Farabow, Garrett & Dunner

[56] References Cited

U.S. PATENT DOCUMENTS

- D. 265,302 7/1982 Kojima et al. D12/147
- D. 290,826 7/1987 Nakaseko D12/147
- D. 291,073 7/1987 Guermandi D12/146

FOREIGN PATENT DOCUMENTS

1022893 4/1985 United Kingdom .

[57] CLAIM

The ornamental design for a tire, as shown and described.

DESCRIPTION

FIG. 1 is a perspective view of a tire showing my new design, it being understood that the tread pattern is repeated throughout the circumference of the tire, as shown schematically by solid lines, the opposite side being substantially the same as that illustrated.
 FIG. 2 is a greatly enlarged plan view thereof.

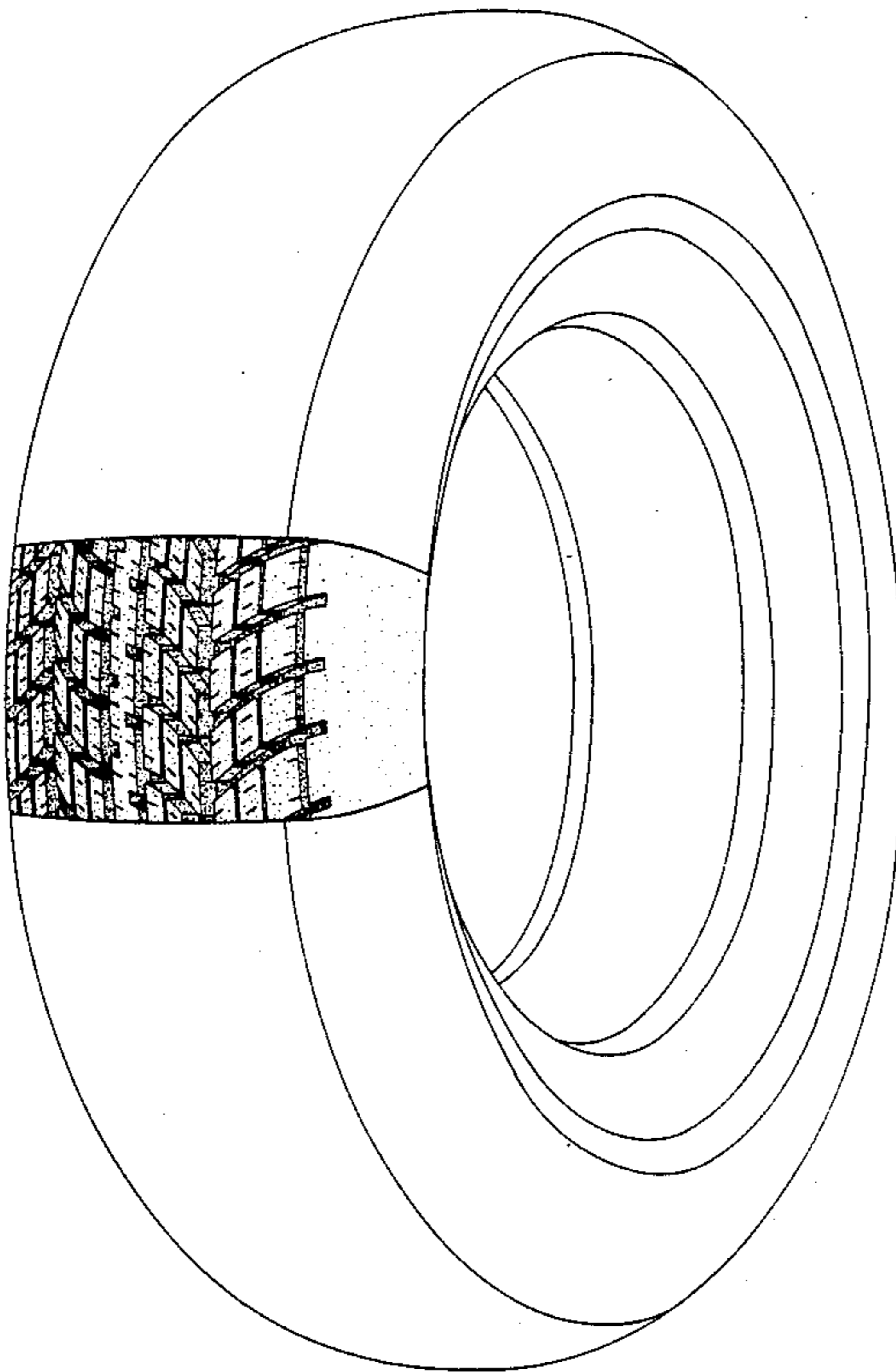


FIG. 1

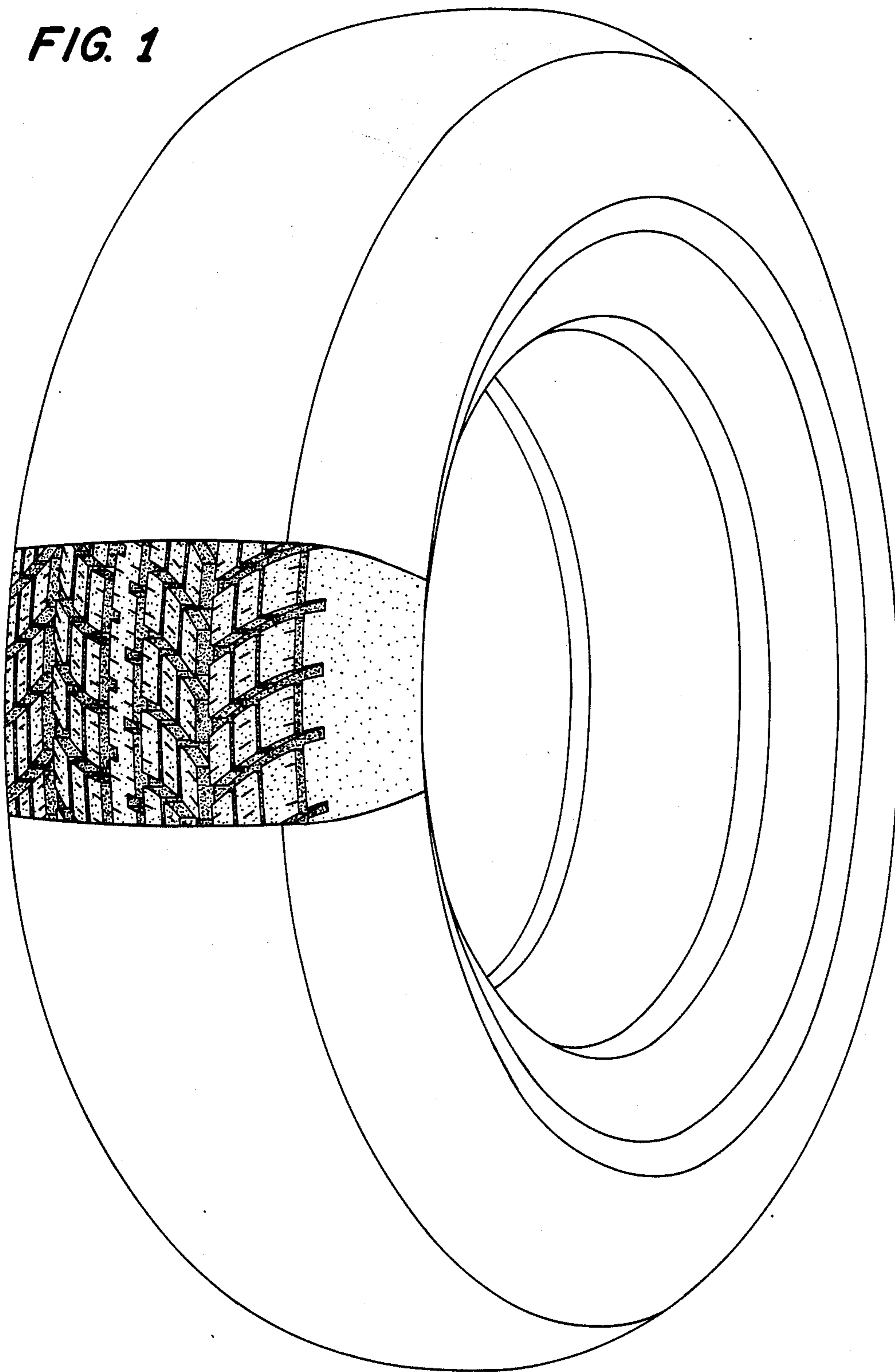


FIG. 2

