

[54] NONSPILL DISPENSER FOR FLUID CONTAINERS

[76] Inventor: Edward J. Waymack, 5200 Irvine Blvd., 243, Irvine, Calif. 92720

[**] Term: 14 Years

[21] Appl. No.: 274,037

[22] Filed: Nov. 21, 1988

[52] U.S. Cl. D9/447

[58] Field of Search D9/434, 440, 447; 215/296, 306, 316, 329, 355; 222/499, 502, 519, 531, 532, 533, 537, 543, 552, 556, 562, 566

[56] References Cited

U.S. PATENT DOCUMENTS

D. 57,133	2/1921	Jones	D9/440
D. 120,464	5/1940	Martin	D9/434
D. 267,782	2/1983	Thompson	D9/447

D. 270,620	9/1983	Owens	D9/447
1,124,495	1/1915	Mahn	D9/440
2,177,754	10/1939	Tainsh	222/566
2,704,100	3/1955	Freeman	215/306
2,751,131	6/1956	Nyden	222/562
3,321,114	5/1967	Croyle	222/499

Primary Examiner—B. J. Bullock
Assistant Examiner—Dominic Simone
Attorney, Agent, or Firm—Stetina and Brunda

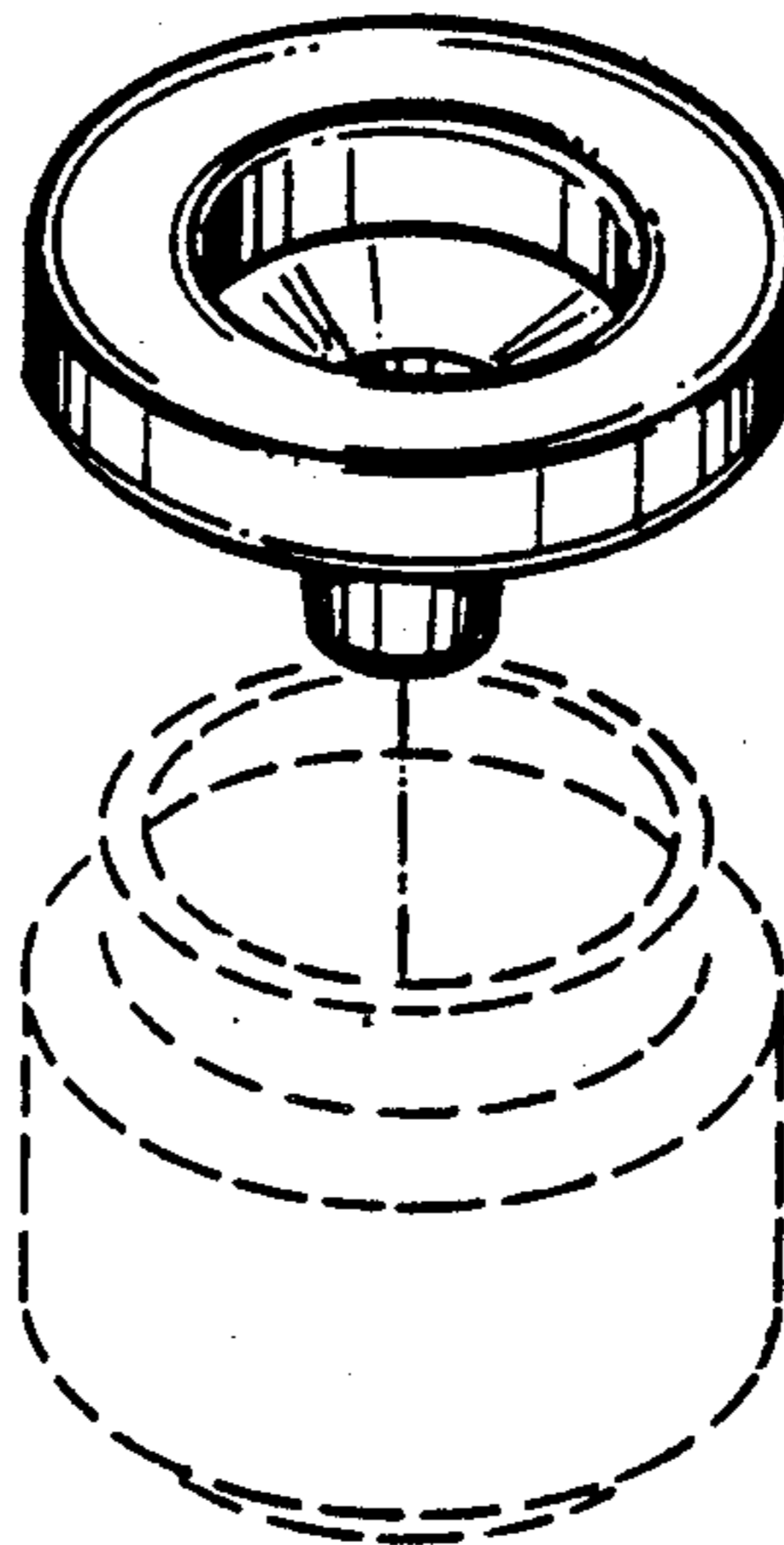
[57] CLAIM

The ornamental design for a nonspill dispenser for fluid containers, as shown and described.

DESCRIPTION

FIG. 1 is a top perspective view of a nonspill dispenser for fluid containers showing my new design, the container shown in broken lines for environmental purposes only;

FIG. 2 is an enlarged front perspective view thereof;
FIG. 3 is an enlarged rear perspective view thereof.



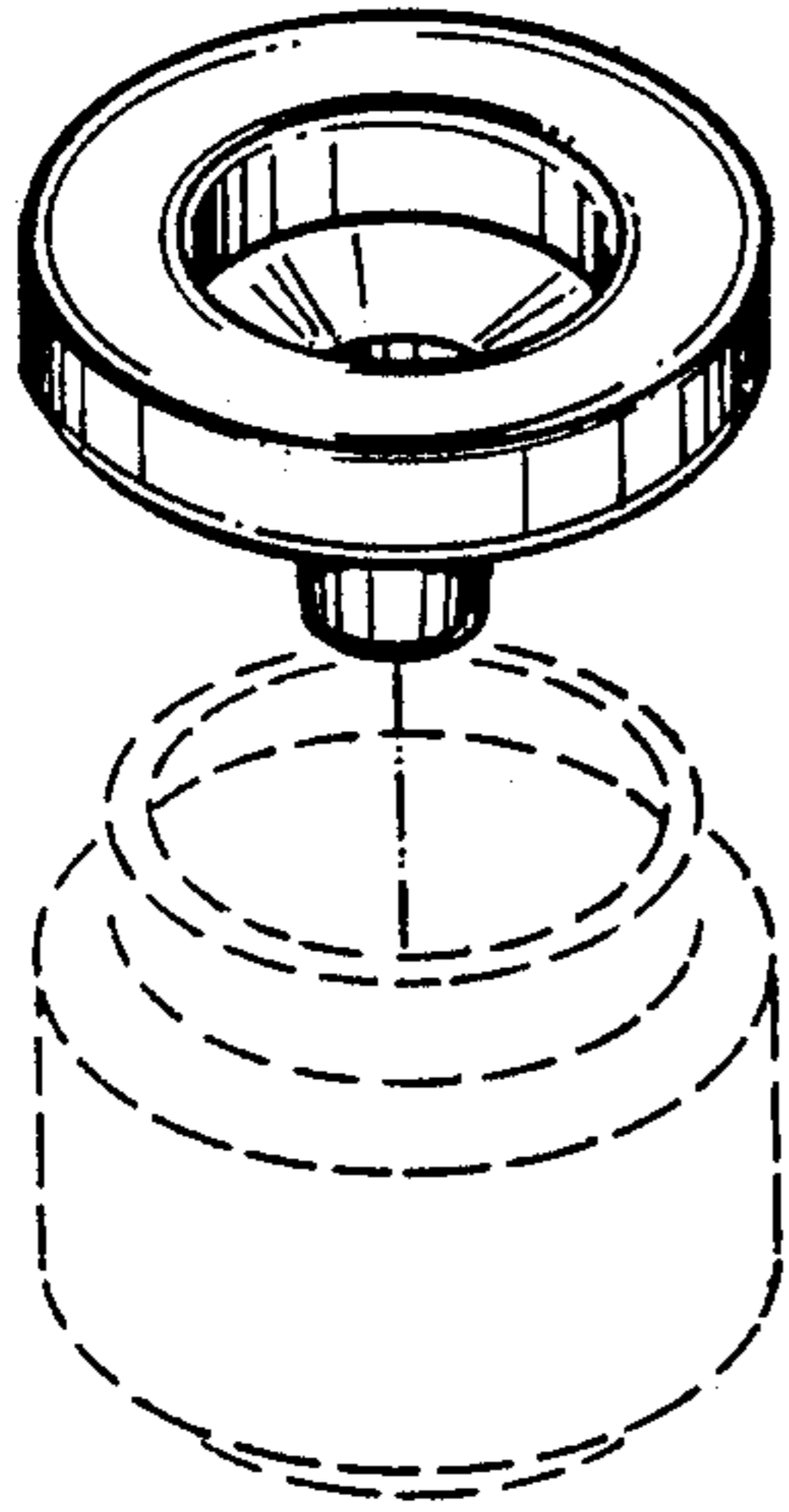


FIG. 1

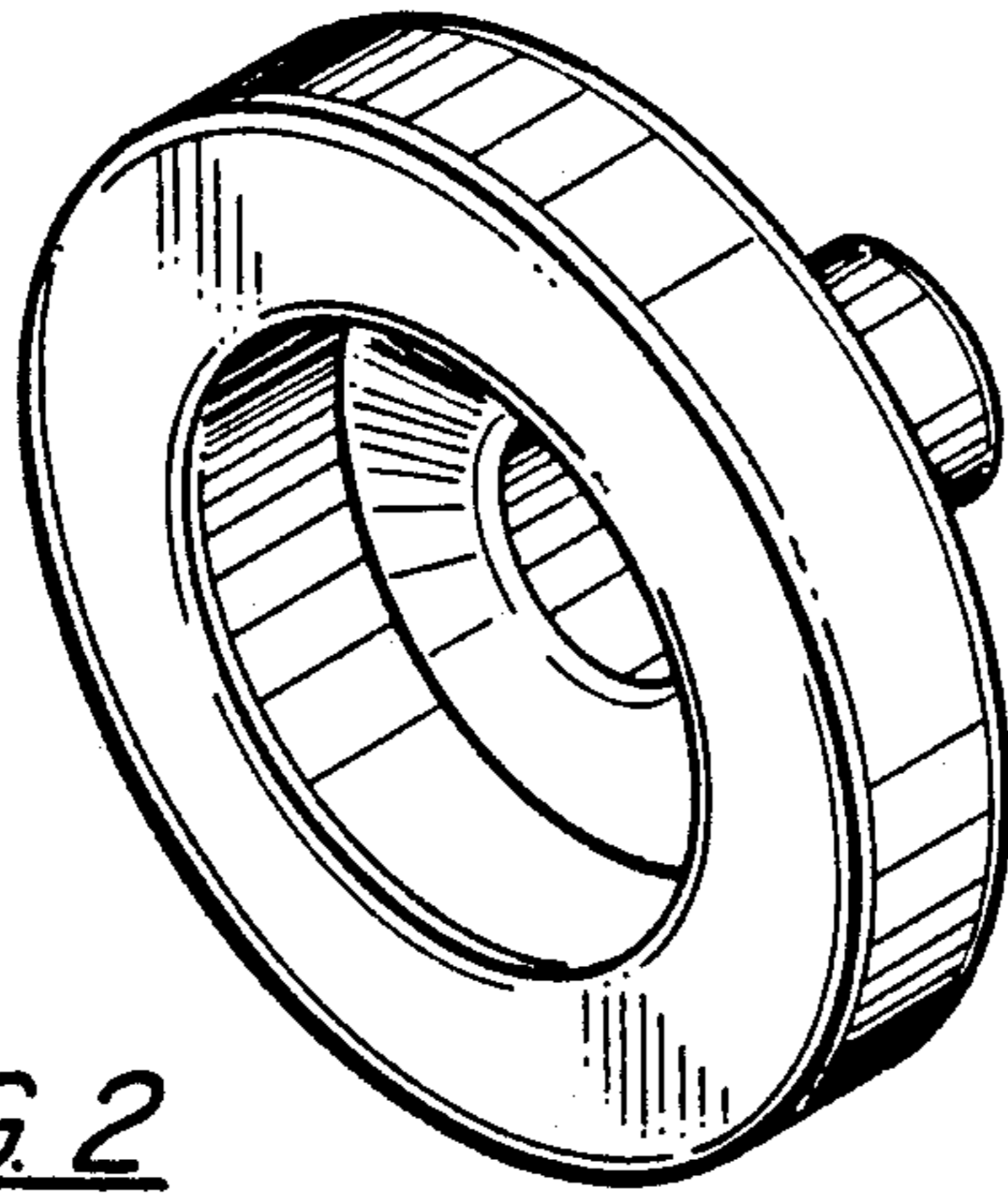


FIG. 2

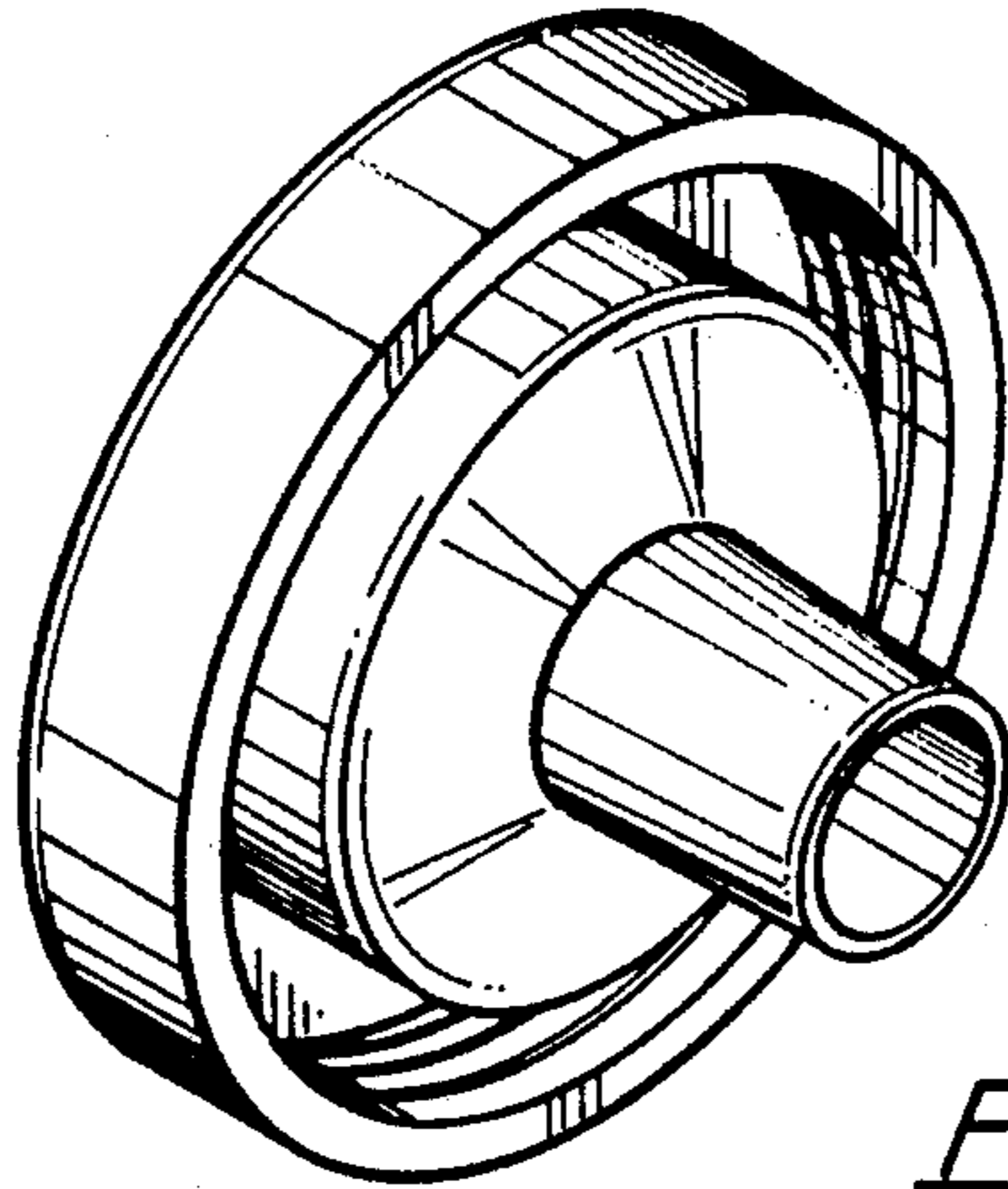


FIG. 3