

[54] **DUAL COMPARTMENT BOTTLE**

[76] **Inventor: Richard D. Green, 12979 Culver Blvd., Los Angeles, Calif. 90066**

[**] **Term: 14 Years**

[21] **Appl. No.: 104,363**

[22] **Filed: Oct. 5, 1987**

[52] **U.S. Cl. D9/341**

[58] **Field of Search D9/341-348, D9/375, 369, 337, 367, 385, 397, 398, 403; 215/1 R, 1 C, 6, 31, 34; 220/23.2, 23.4, 23.83, 23.86, 20; 222/129**

[56] **References Cited**

U.S. PATENT DOCUMENTS

- D. 73,424 9/1927 Baldwin .
- D. 91,073 11/1933 Lackaye D9/341
- D. 161,125 12/1950 Polime .
- D. 192,980 6/1962 Mangini .
- D. 209,105 10/1967 Hazard .
- D. 214,881 8/1969 Porter .
- D. 244,992 7/1977 Van der Veken .
- D. 274,309 6/1984 Aldrich, III .
- D. 275,367 9/1984 Holewinski D9/341 X
- D. 280,599 9/1985 Green D9/373 X
- D. 281,398 11/1985 Kesselring D9/341
- D. 289,855 5/1987 Carlson D9/341
- D. 289,923 5/1987 Hoogesteger D9/341 X
- 132,020 10/1872 Odell .
- 255,642 3/1882 Lubin .
- 284,127 8/1883 Gruenebaum .
- 825,680 7/1906 Raymond .
- 2,013,382 9/1935 Garwood .
- 2,166,307 7/1939 Libby .

- 2,661,871 12/1953 Huenergardt .
- 2,753,990 7/1956 Chalfin .
- 3,076,573 2/1963 Thomas .
- 3,347,420 10/1967 Donoghue .
- 3,467,269 9/1969 Newton .
- 4,098,397 7/1978 Mann, Jr. .
- 4,148,417 4/1979 Simmons .
- 4,189,057 2/1980 Morille 215/6 X
- 4,196,808 4/1980 Pardo 215/6 X

FOREIGN PATENT DOCUMENTS

658291 1/1964 Belgium .

OTHER PUBLICATIONS

Bottle Digest, Industrial Design, 4/1962, p. 99, left lower corner of the page.
D & C1, May 1985, p. 64, left center of the page.
Vogue, Sep', 1984, p. 41.

Primary Examiner—Bernard Ansher
Assistant Examiner—Prabhakar Deshmukh
Attorney, Agent, or Firm—Kelly, Bauersfeld & Lowry

[57] **CLAIM**

The ornamental design for a dual compartment bottle, as shown and described.

DESCRIPTION

FIG. 1 is a perspective view of a dual compartment bottle showing my new design;
FIG. 2 is a right side elevation thereof, the left side elevation being a mirror image;
FIG. 3 is a top plan view thereof;
FIG. 4 is a front elevation thereof;
FIG. 5 is a rear side elevation thereof; and
FIG. 6 is a bottom plane view thereof.

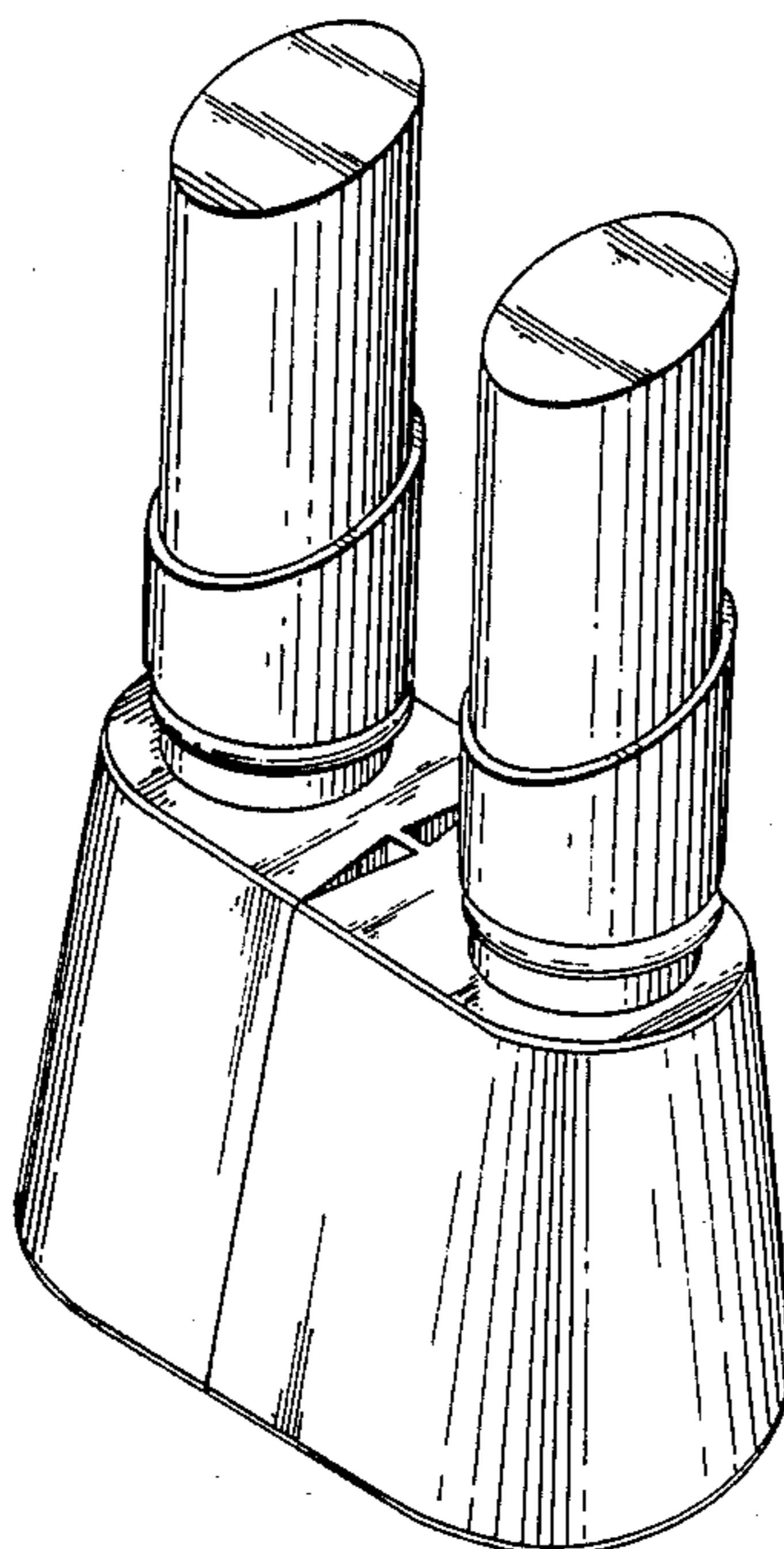


FIG. 1

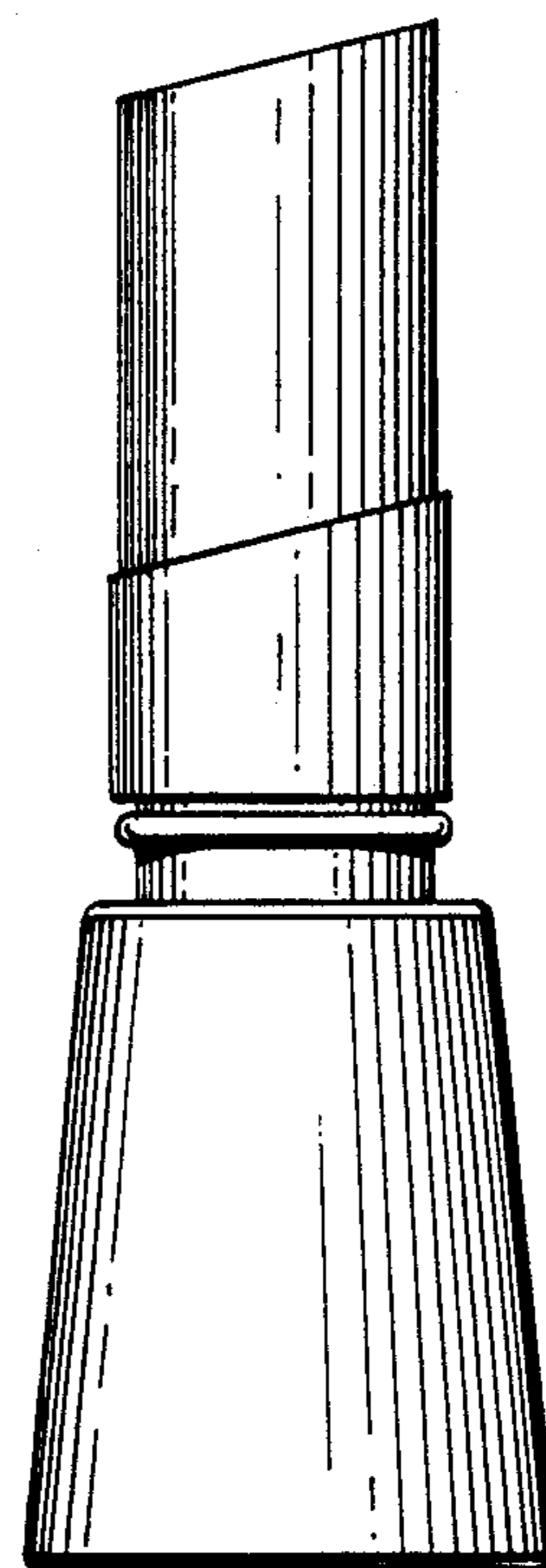
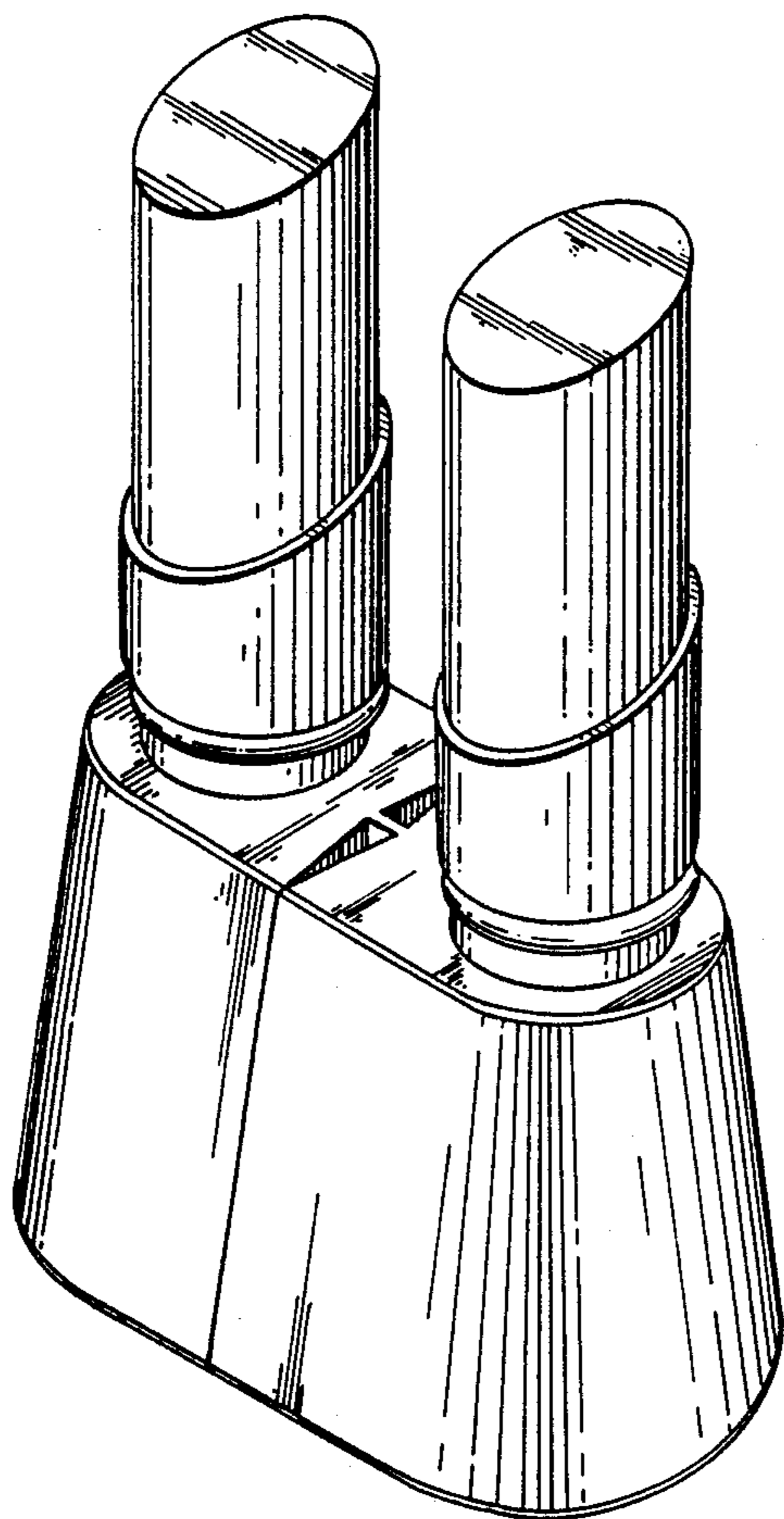
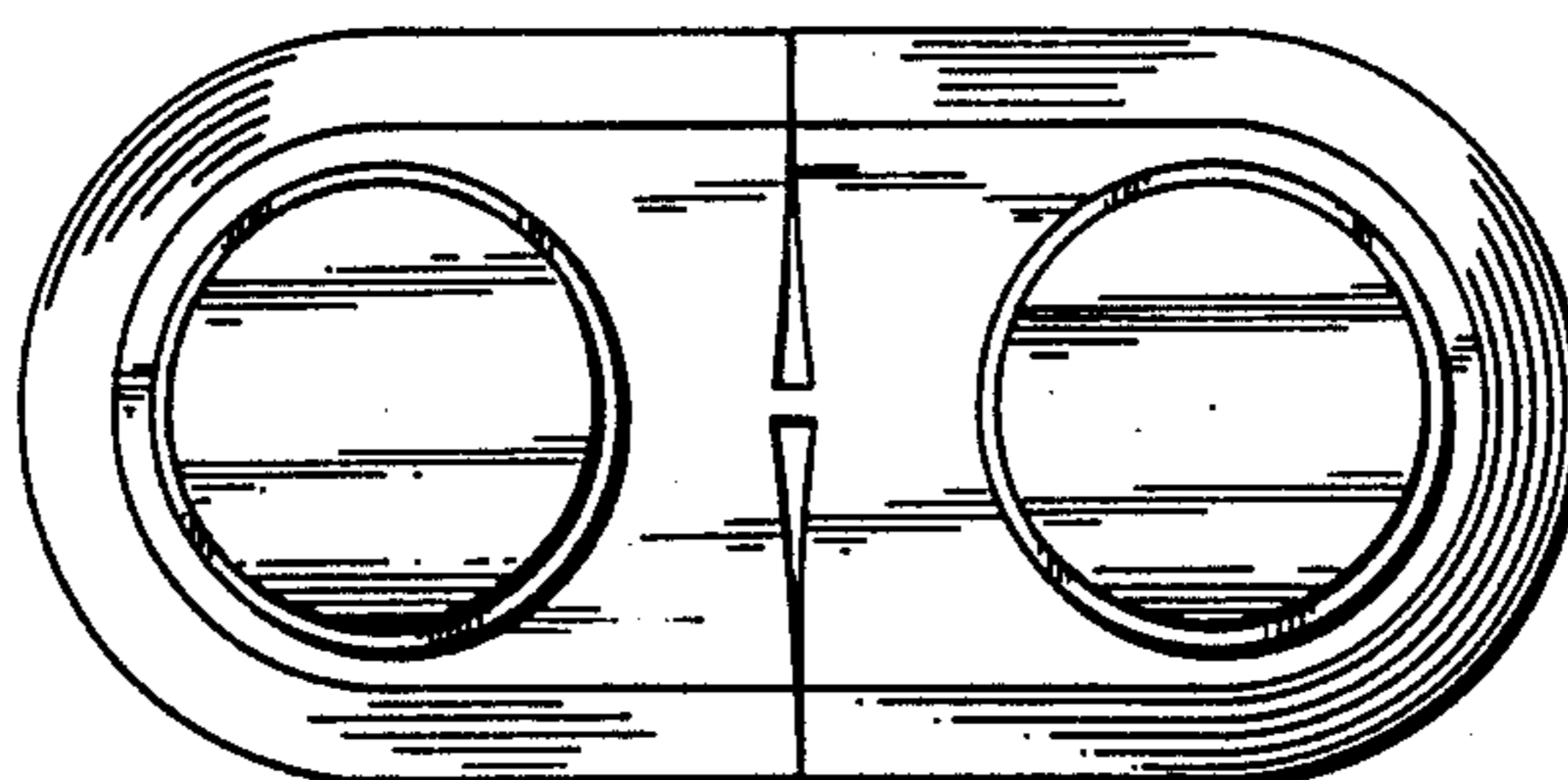


FIG. 2

FIG. 3



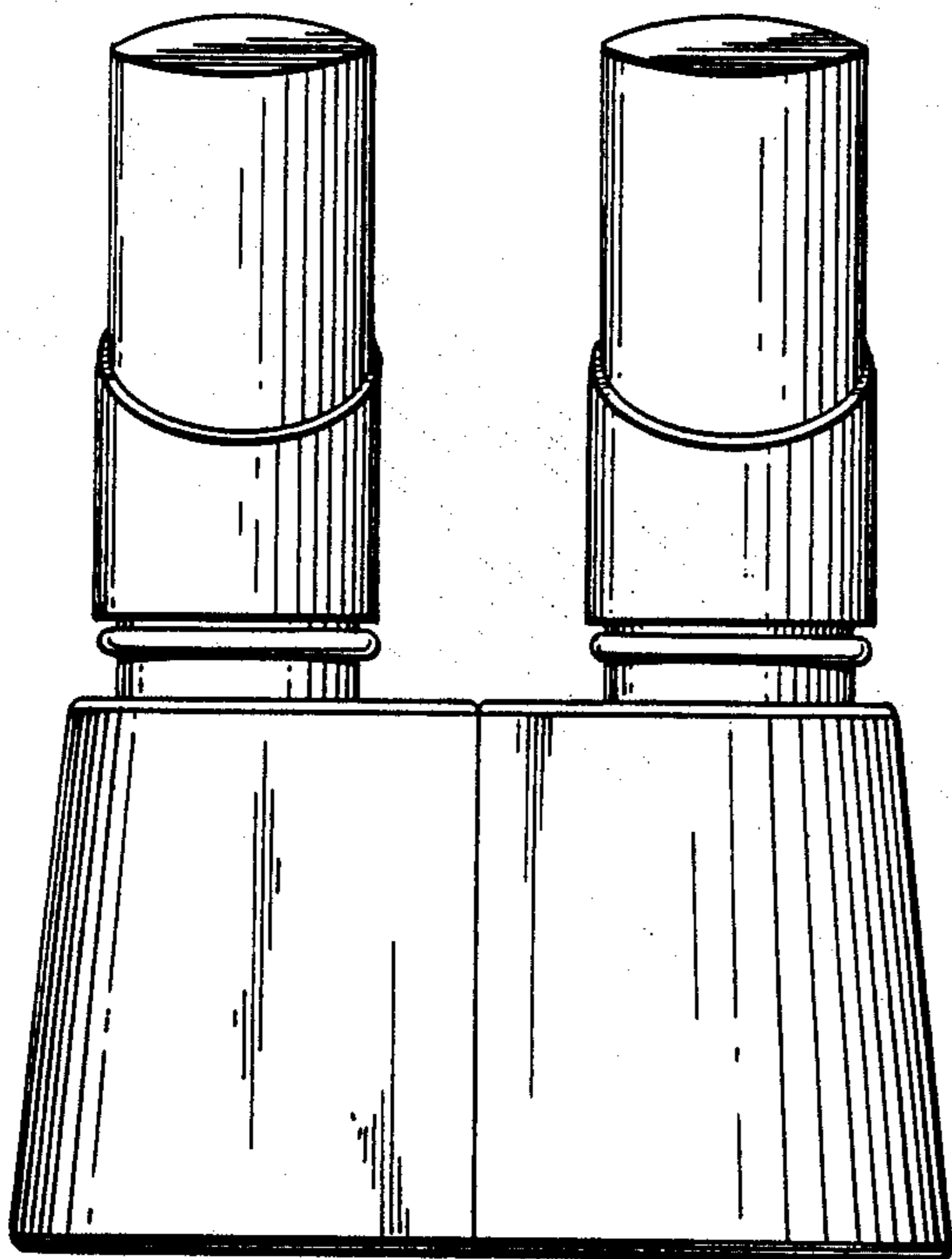


FIG. 4

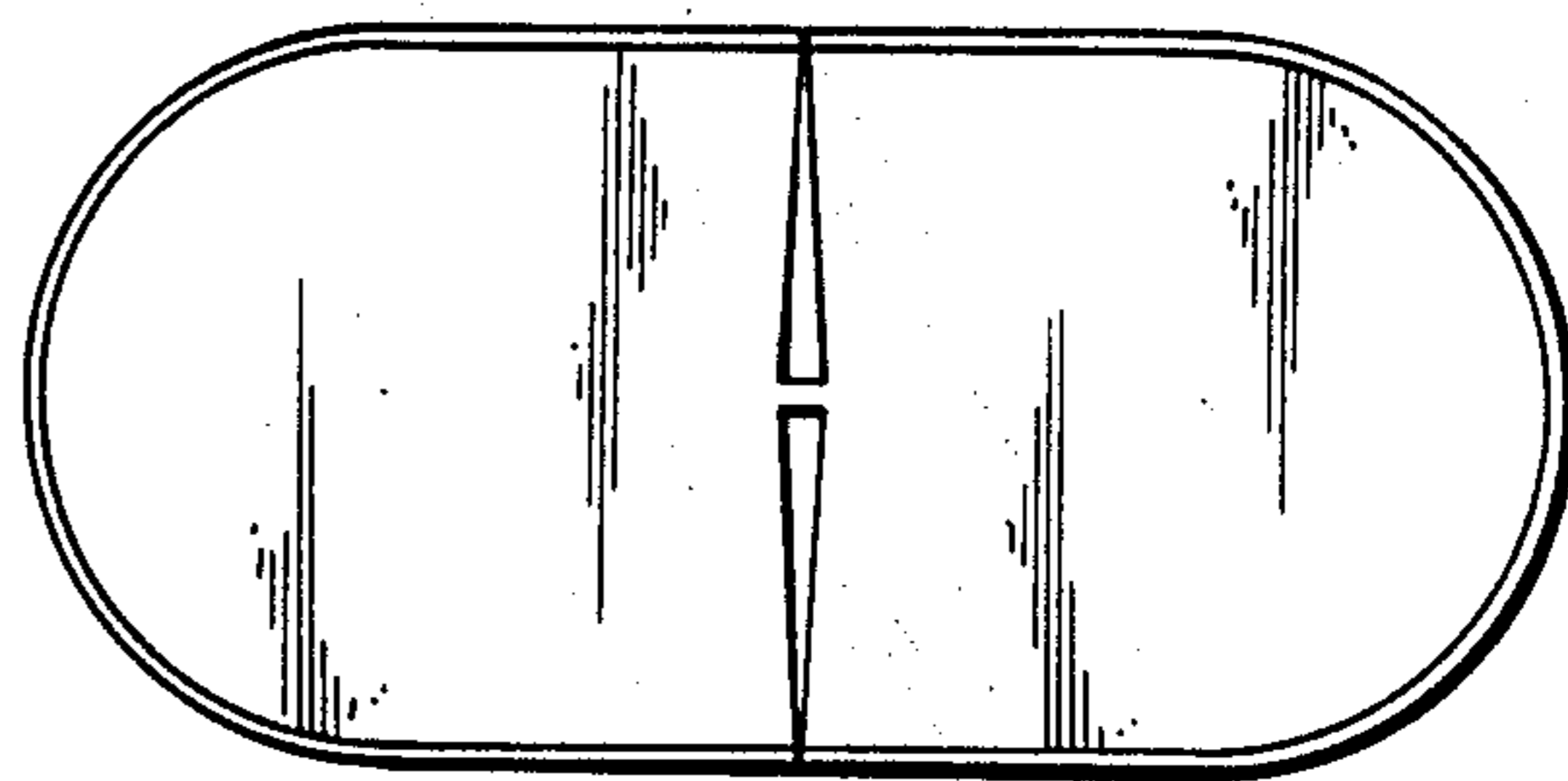


FIG. 6

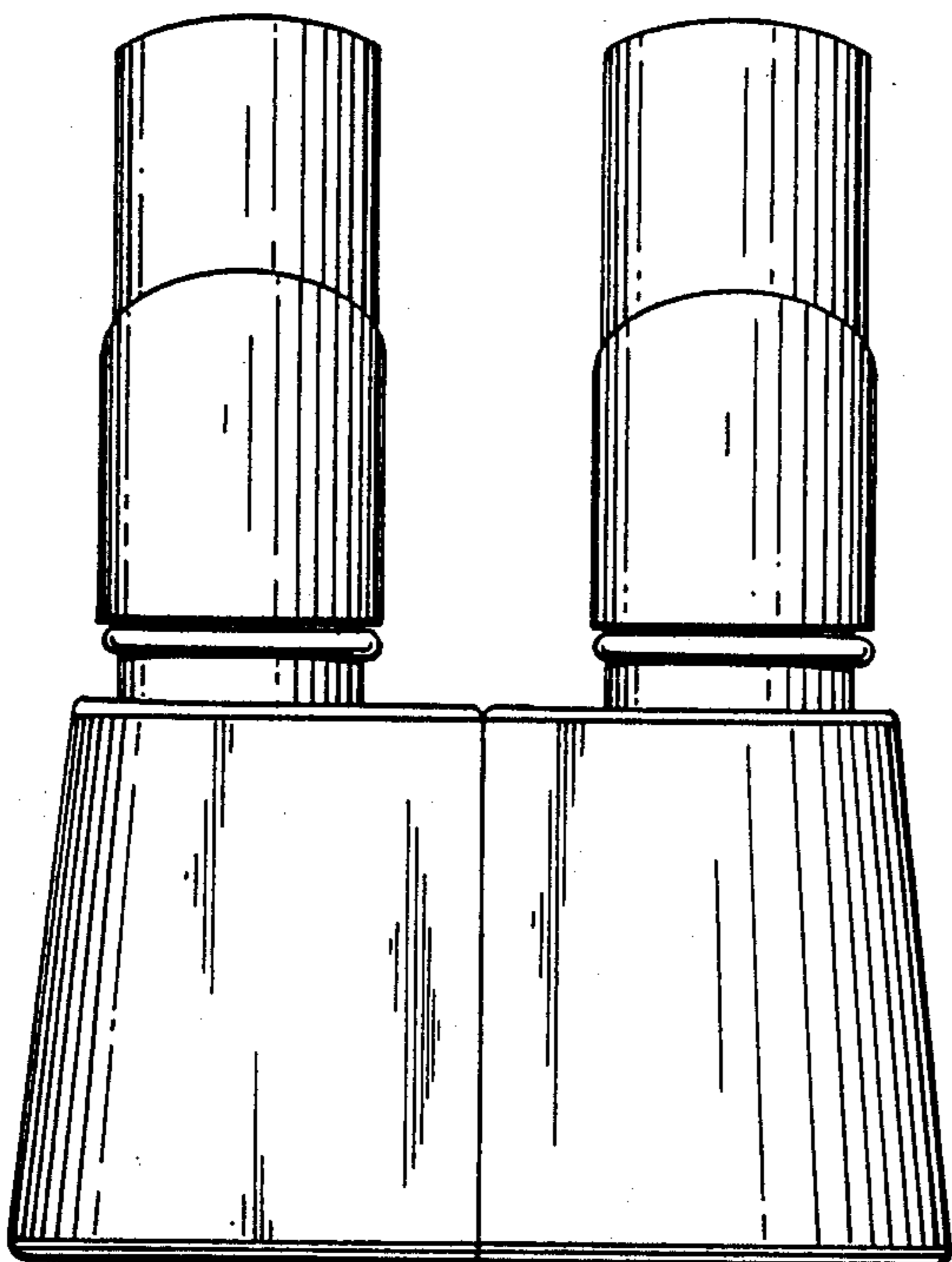


FIG. 5