

[54] **CLAMP FOR CLAMPING WIRES**

[75] **Inventor: Katsuyuki Morita, Kasugai, Japan**

[73] **Assignee: Kitagawa Industries Co., Ltd., Aichi, Japan**

[**] **Term: 14 Years**

[21] **Appl. No.: 135,099**

[22] **Filed: Dec. 18, 1987**

[30] **Foreign Application Priority Data**

Jun. 19, 1987 [JP] Japan 62-25252

[52] **U.S. Cl. D8/396; D8/382; D8/395**

[58] **Field of Search D8/382, 394, 395, 396; D13/99; 248/68.1, 71, 74.1, 74.2, 74.3; 24/16 PB**

[56] **References Cited**

U.S. PATENT DOCUMENTS

- D. 265,381 7/1982 Borja .
- D. 291,177 8/1987 Santucci et al. D8/395
- D. 291,532 8/1987 Hill D8/395
- D. 292,554 11/1987 Yagi D8/382
- 3,015,869 1/1962 Rapata .
- 3,074,675 1/1963 Brown .
- 3,074,677 1/1963 Eckhardt .
- 3,229,030 1/1966 Baermann .
- 3,241,198 3/1966 Baermann .
- 3,259,347 7/1966 Yates .
- 3,309,052 3/1967 Borisof .
- 3,462,715 8/1969 Schor .
- 3,514,731 5/1970 Drake .
- 3,516,631 6/1970 Santucci .
- 3,529,795 9/1970 Van Niel 248/74.3
- 3,846,725 11/1974 Mears, Jr. .
- 3,944,177 3/1976 Yoda 248/74.2

- 4,083,523 4/1978 Fisher .
- 4,274,612 6/1981 Massey .
- 4,279,396 7/1981 Bendock .
- 4,336,806 6/1982 Eldridge, Jr. .
- 4,369,946 1/1983 Palmer et al. .
- 4,669,688 6/1987 Itoh et al. 248/71
- 4,681,288 7/1987 Nakamura 248/71

FOREIGN PATENT DOCUMENTS

- 60-16404 1/1985 Japan .
- 61-38714 3/1986 Japan .
- 61-76626 5/1986 Japan .
- 61-97899 6/1986 Japan .
- 61-116021 7/1986 Japan .
- 2179502 3/1987 United Kingdom .

Primary Examiner—B. J. Bullock
Attorney, Agent, or Firm—Oliff & Berridge

[57] **CLAIM**

The ornamental design for a clamp for clamping wires, as shown and described.

DESCRIPTION

FIG. 1 is a top view of a clamp for clamping wires showing my new design;
 FIG. 2 is a left side view thereof;
 FIG. 3 is a front view thereof;
 FIG. 4 is a right side view thereof;
 FIG. 5 is a bottom view thereof;
 FIG. 6 is a rear view thereof;
 FIG. 7 is a sectional view taken in the direction of the arrows on line 7—7 of FIG. 3;
 FIG. 8 is a sectional view taken in the direction of the arrows on line 8—8 of FIG. 3;
 FIG. 9 is a front view thereof, the broken line showing of the panel being for illustrative purposes only;
 FIG. 10 is a top, front perspective view thereof;
 FIG. 11 is a bottom, front perspective view thereof.

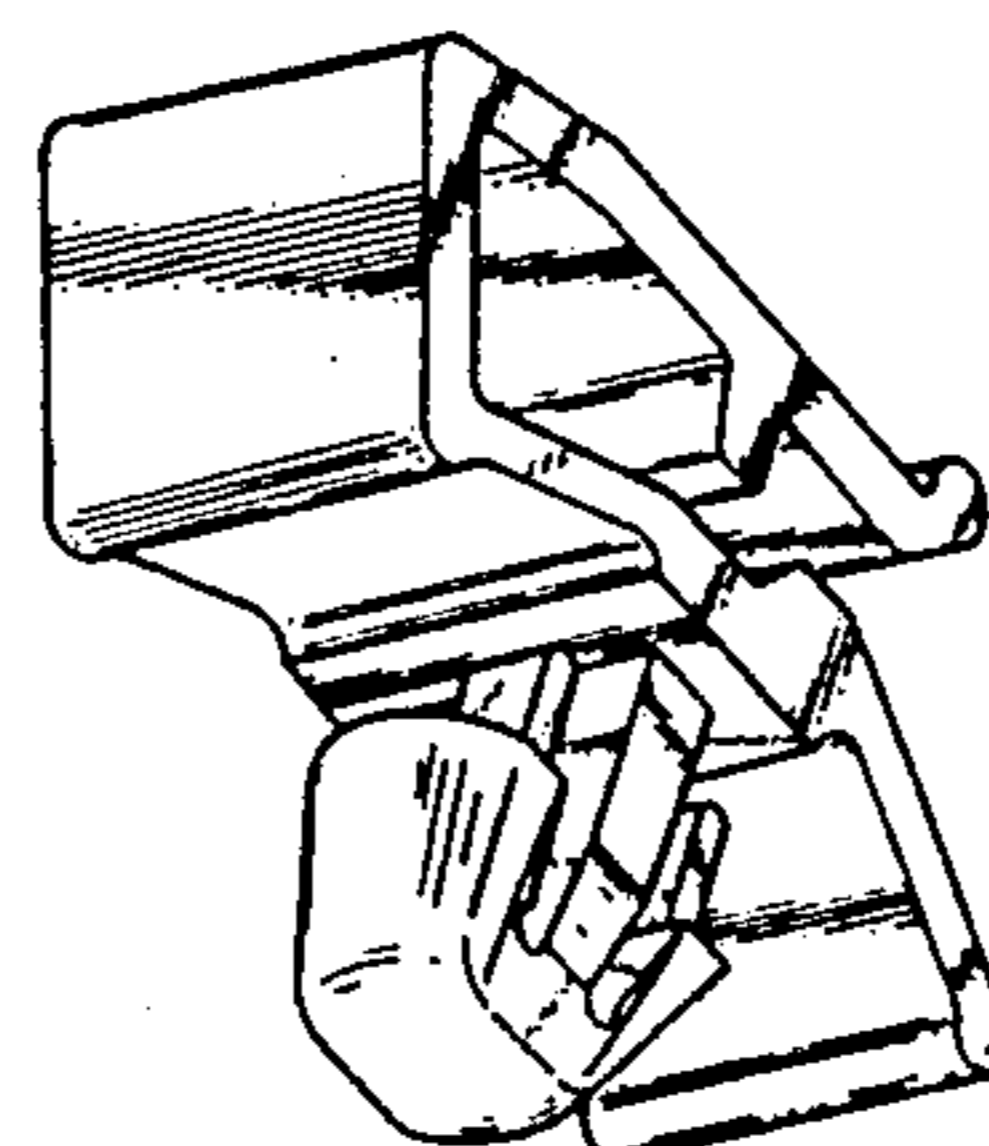
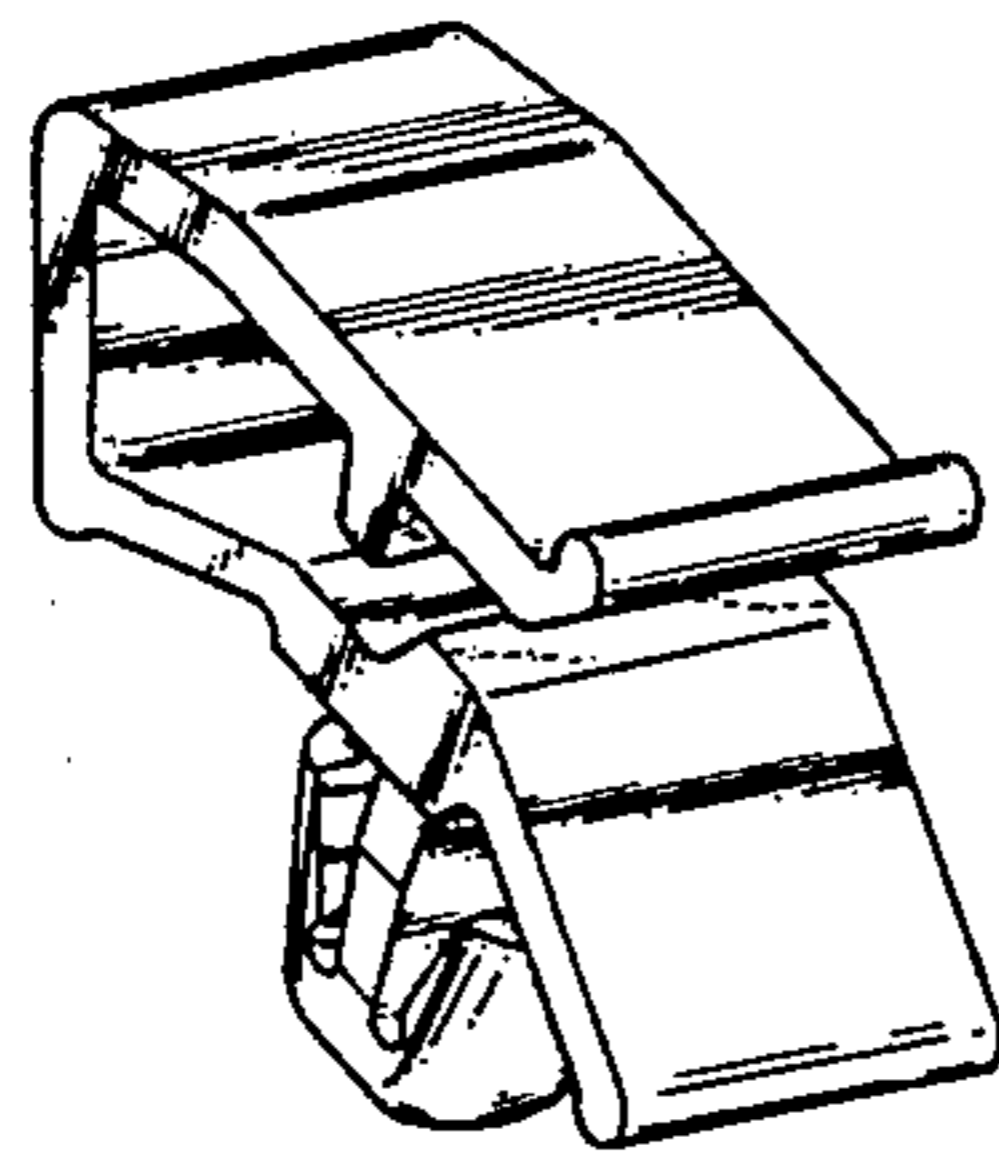


Fig. 1

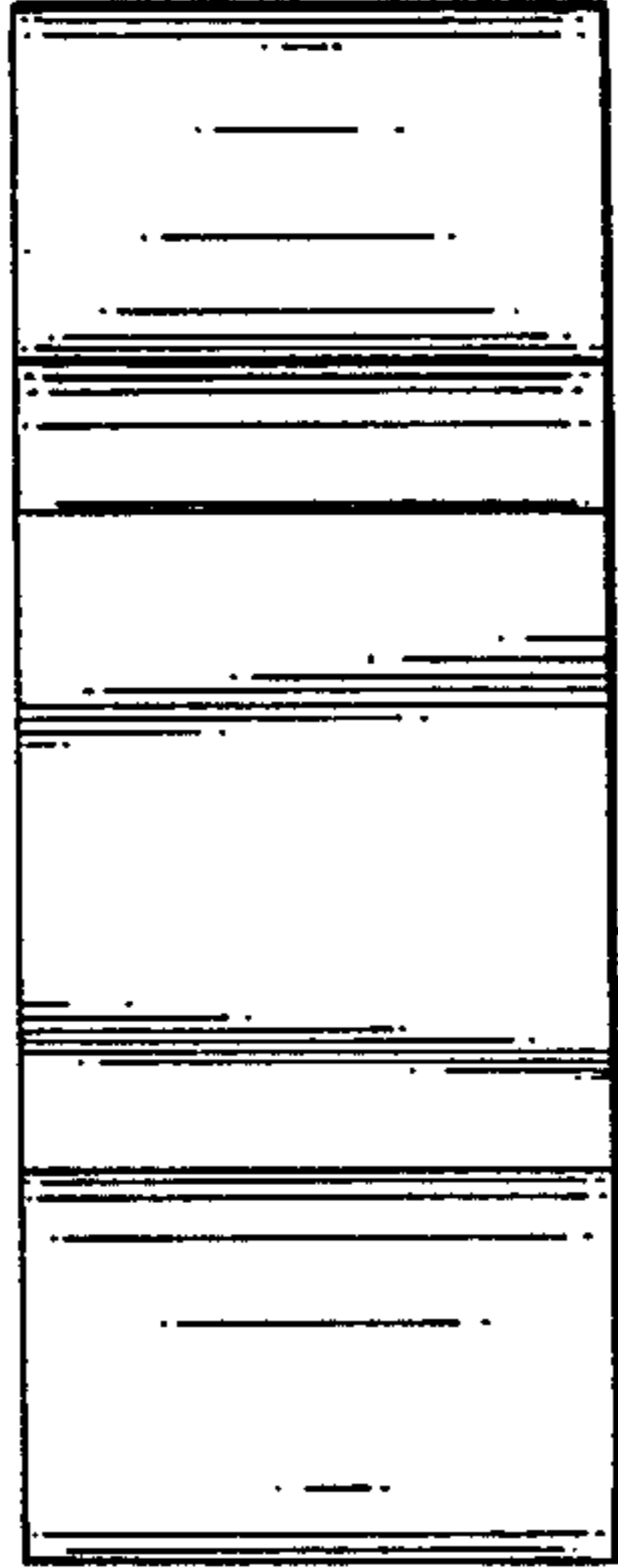


Fig. 2

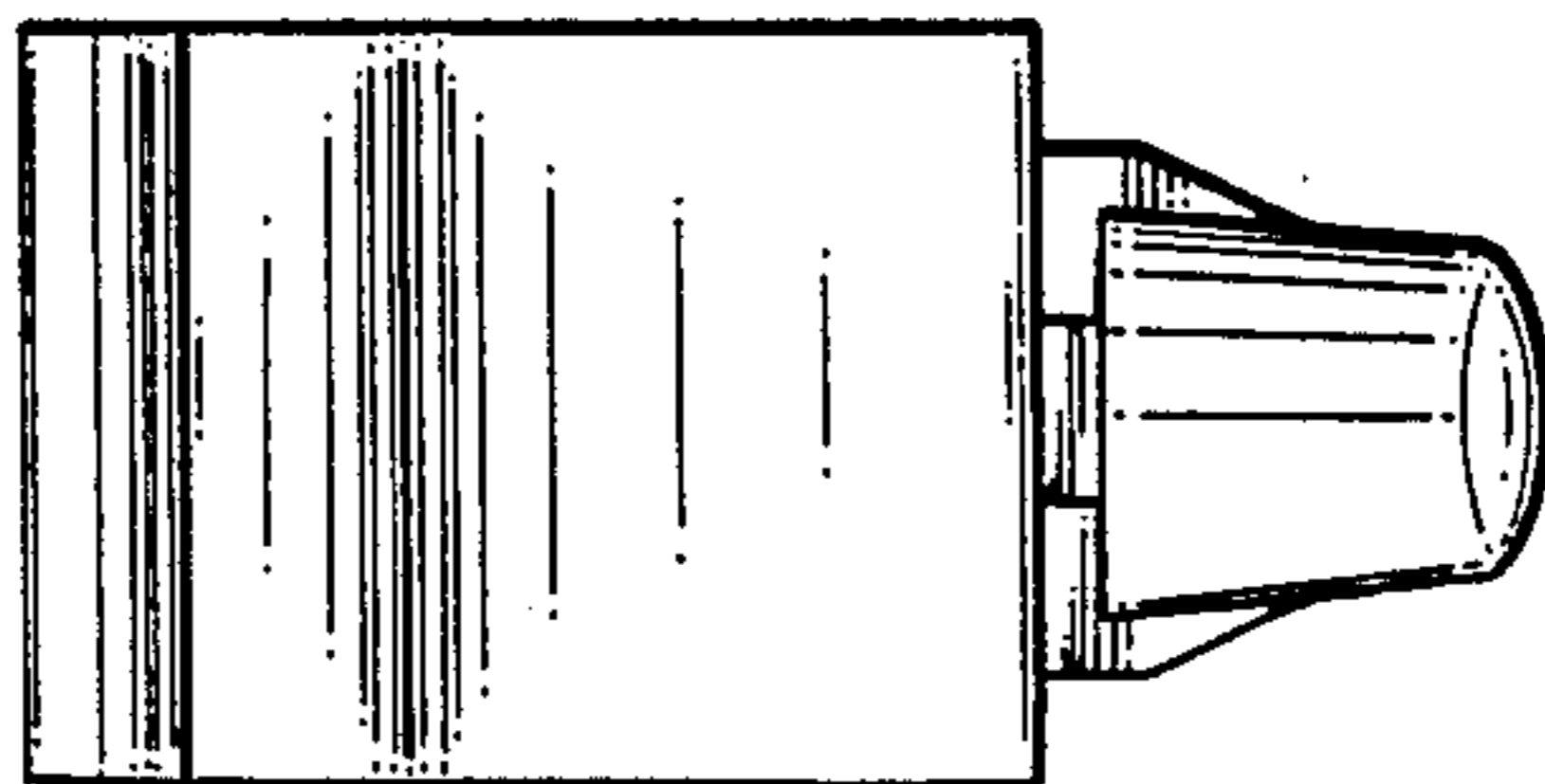


Fig. 4

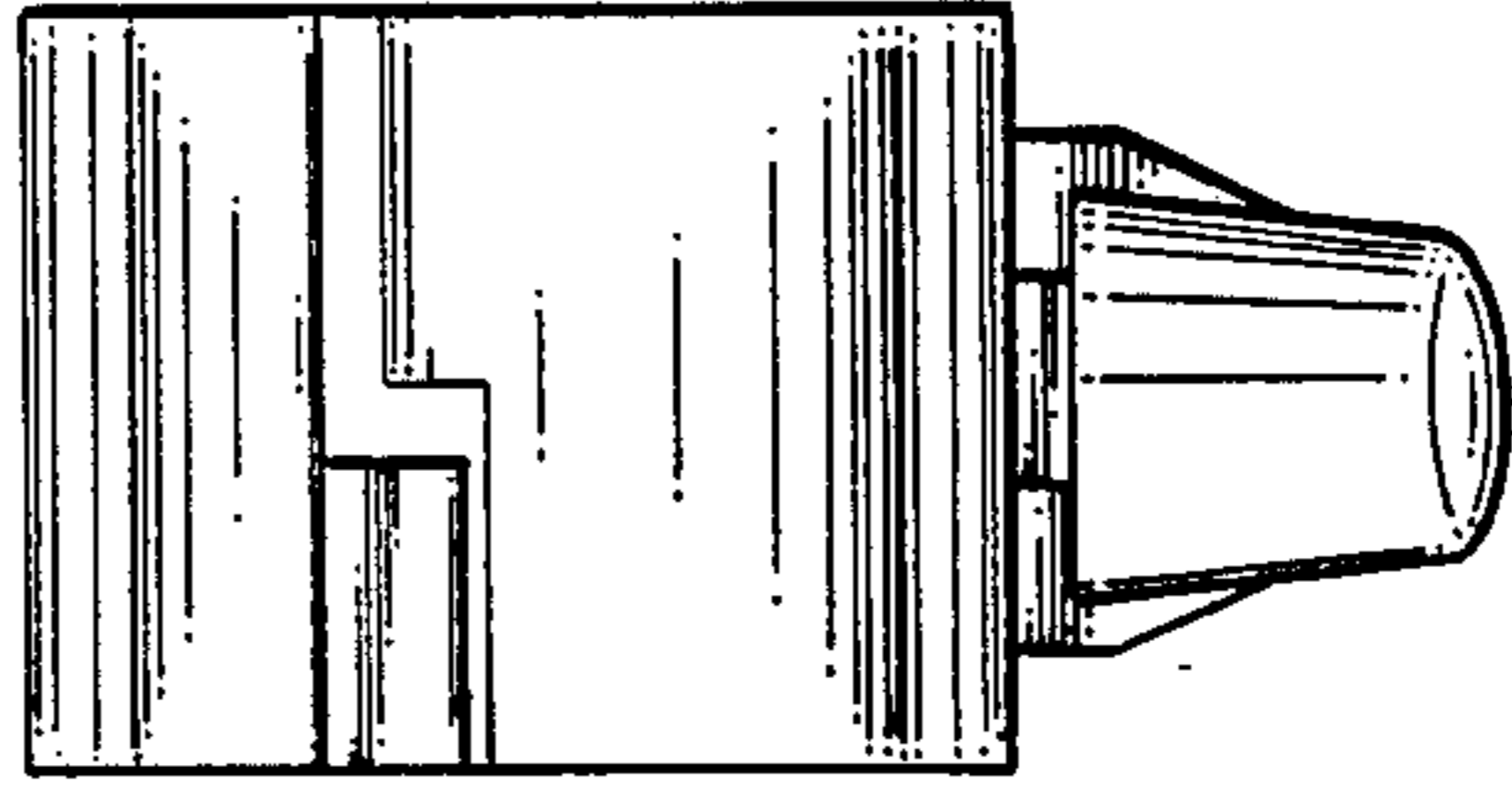


Fig. 3

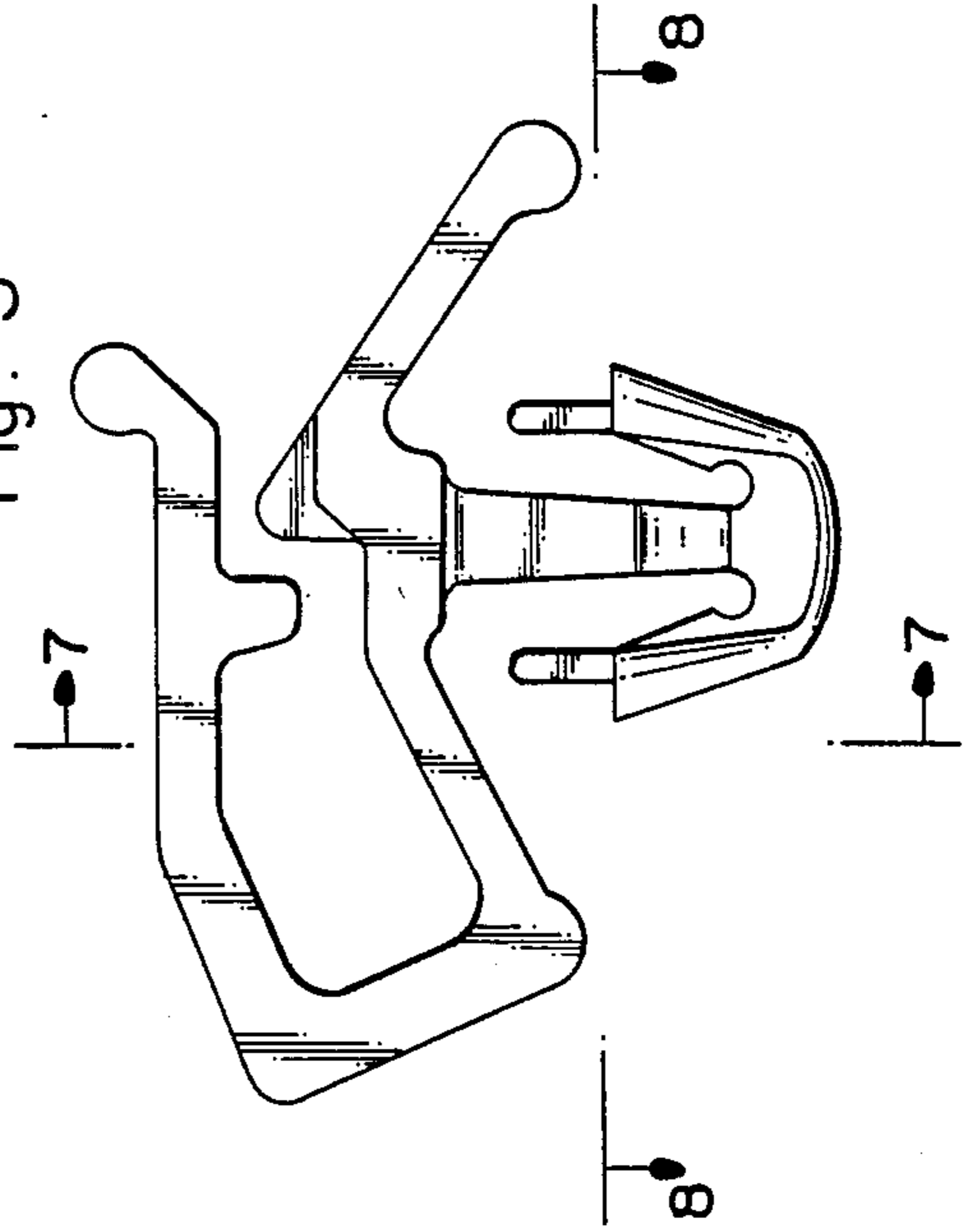


Fig. 5

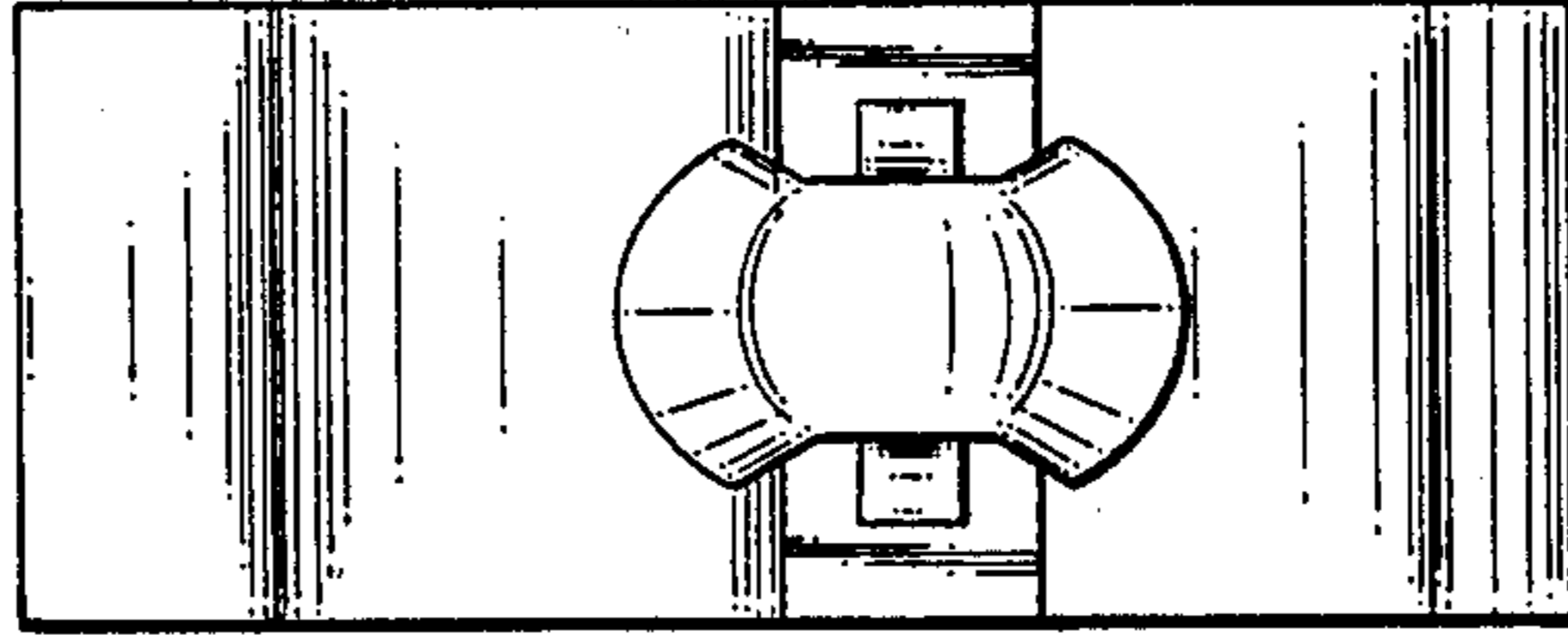


Fig. 6

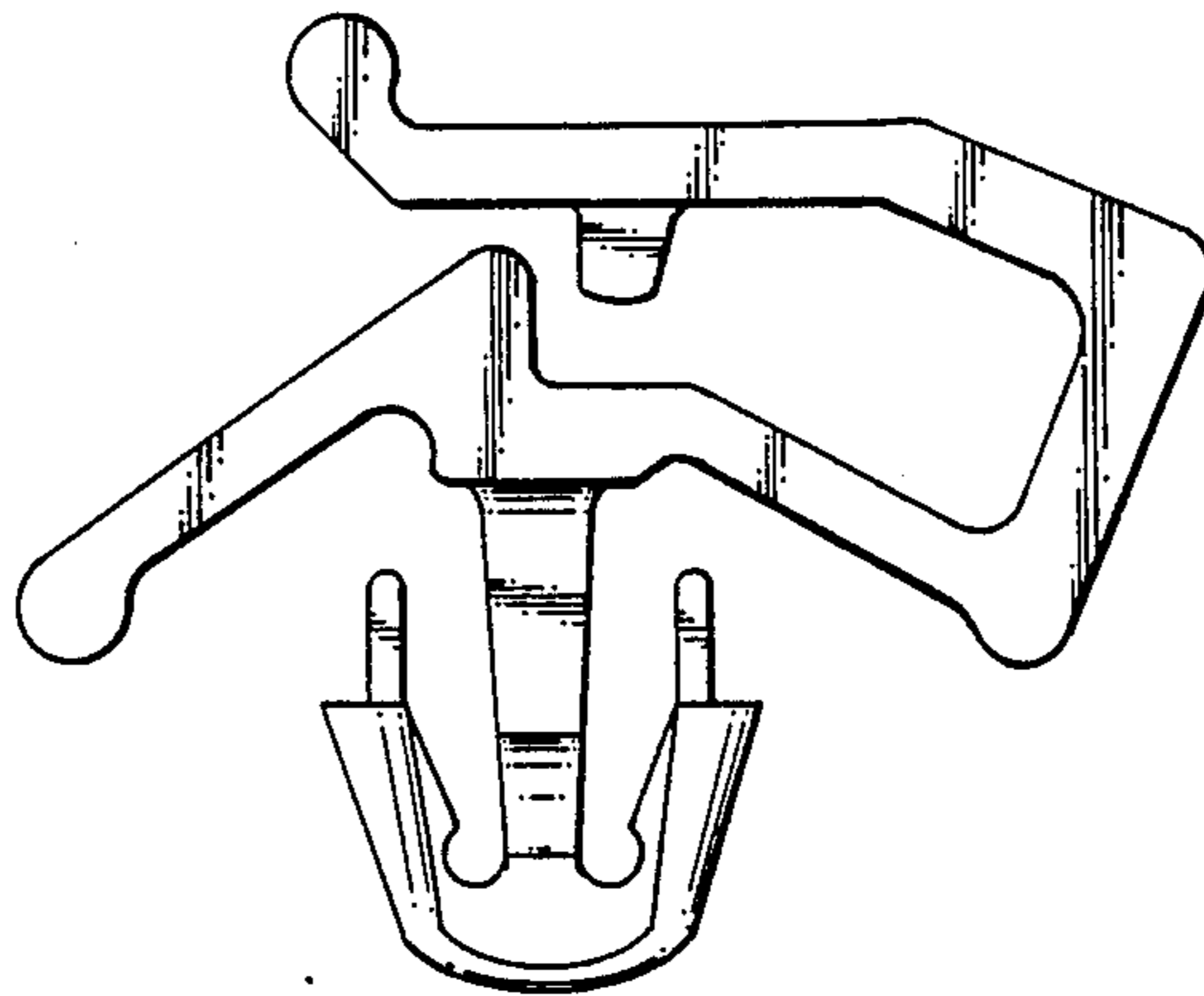


Fig. 7

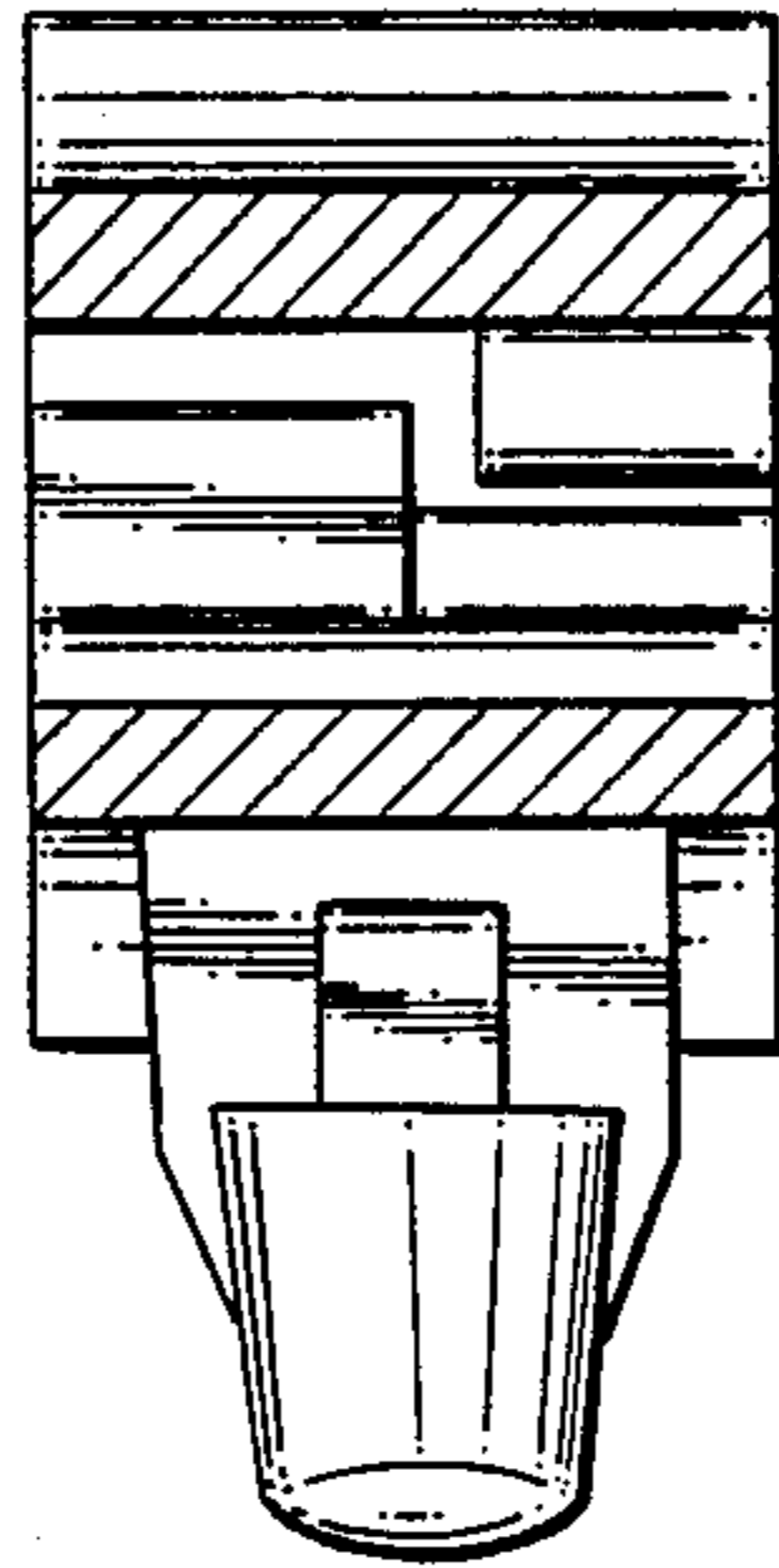


Fig. 8

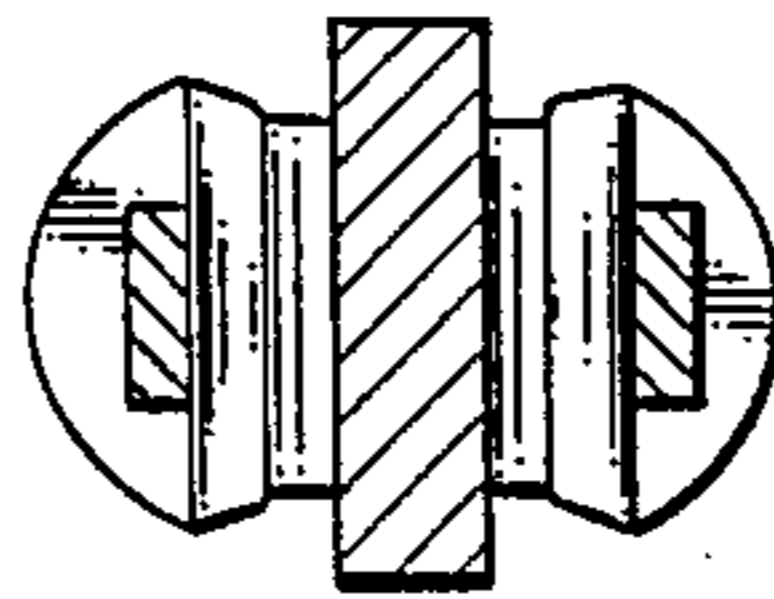


Fig. 9

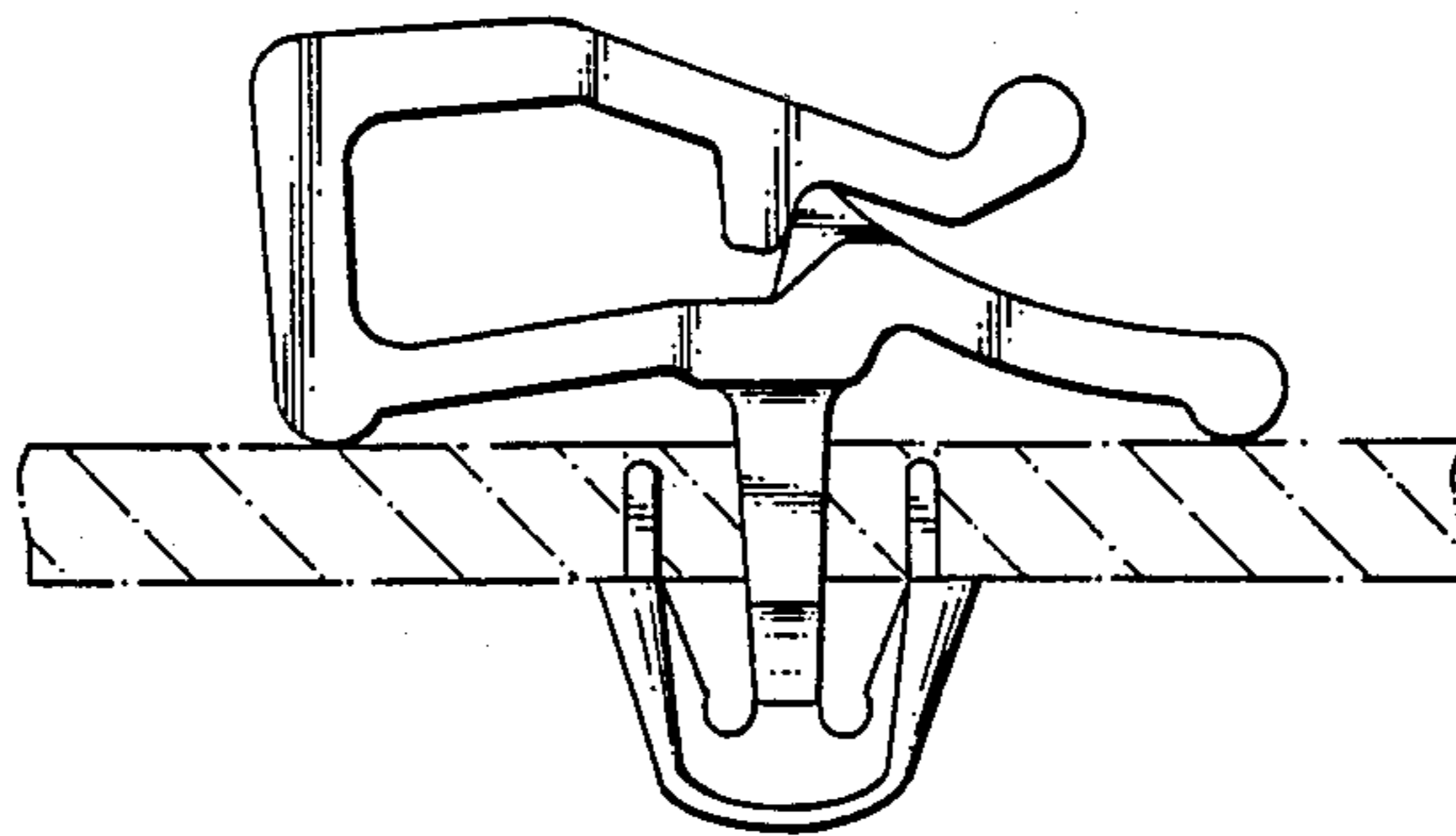


Fig. II

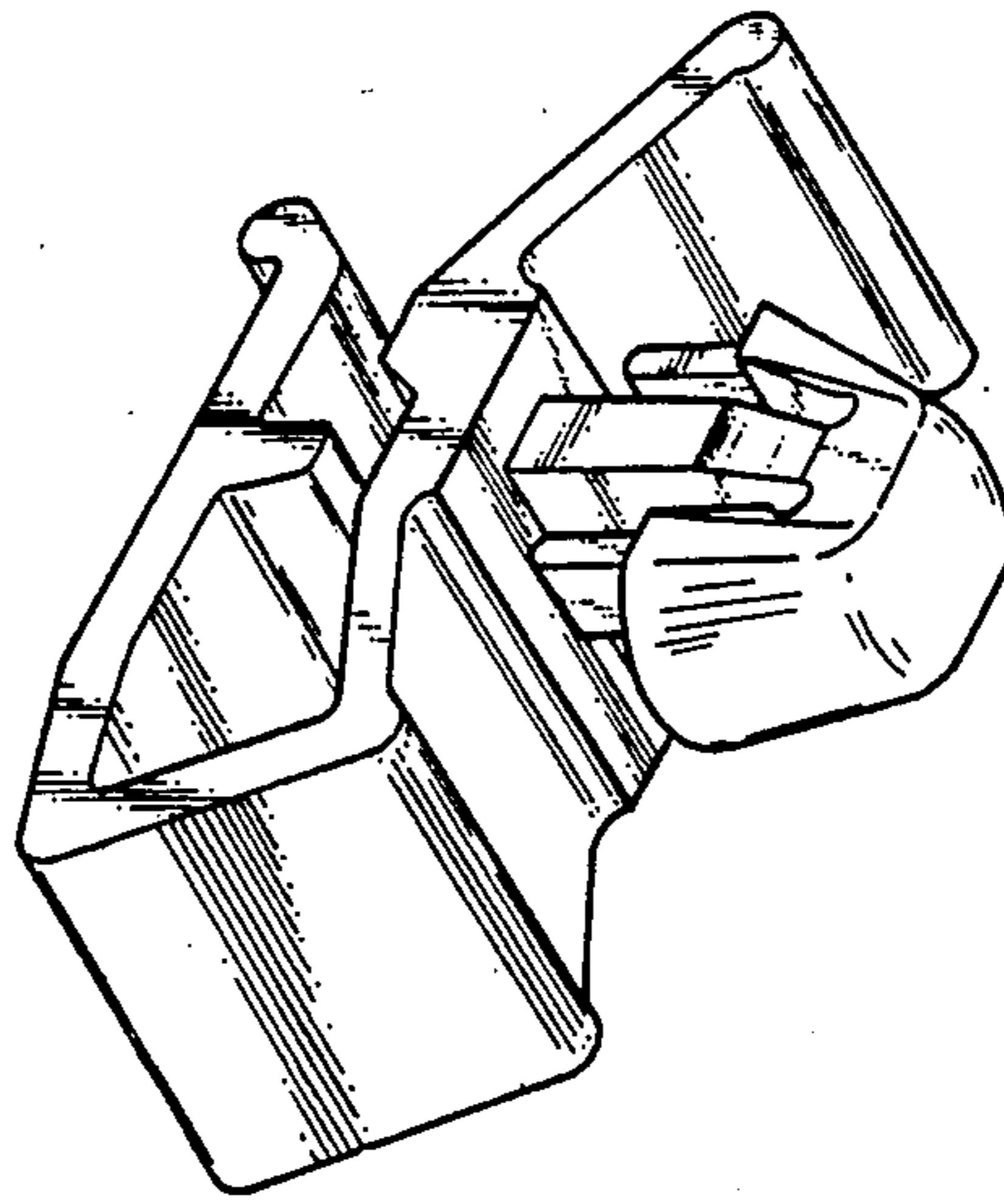


Fig. 10

