

[54] HOUSING FOR A COMBINATION TOOL

2,575,652 11/1951 Bovee D28/59

[76] Inventor: Klaus Krebs, Auf der Schlicht 4,
D-6232 Bad Soden 2, Fed. Rep. of
Germany

Primary Examiner—Bernard Ansher
Assistant Examiner—David Jeo

[**] Term: 14 Years

[57] CLAIM

[21] Appl. No.: 140,803

The ornamental design for a housing for a combination
tool, as shown.

[22] Filed: Jan. 5, 1988

DESCRIPTION

[52] U.S. Cl. D8/99; D28/57

[58] Field of Search D28/59, 55, 57;
132/76.4; 294/99.2; D8/104, 105; 7/118-120,
158

FIG. 1 is a top plan view of a housing for a combination
manicure tool, showing my new design;
FIG. 2 is a front elevational view thereof;
FIG. 3 is a bottom plan view thereof;
FIG. 4 is a front elevational view thereof, showing
proposed tool in open position;
FIG. 5 is a right side elevational view thereof, the left
side being a mirror image; and
FIG. 6 is a perspective view thereof.

[56] References Cited

U.S. PATENT DOCUMENTS

1,583,909 5/1926 Wright 30/29
2,284,168 5/1942 Rickenbacher 30/29

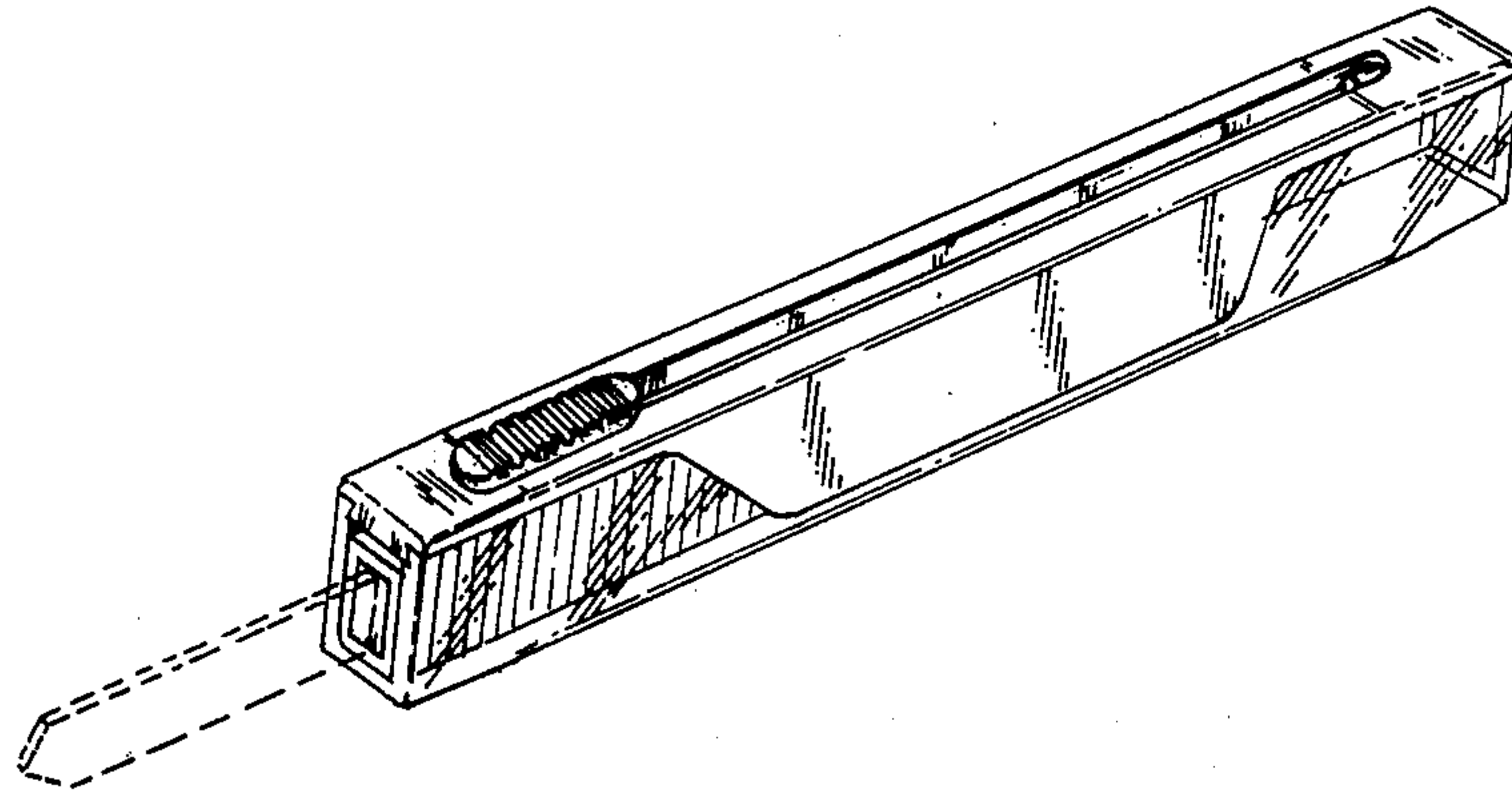


FIG. 1



FIG. 2

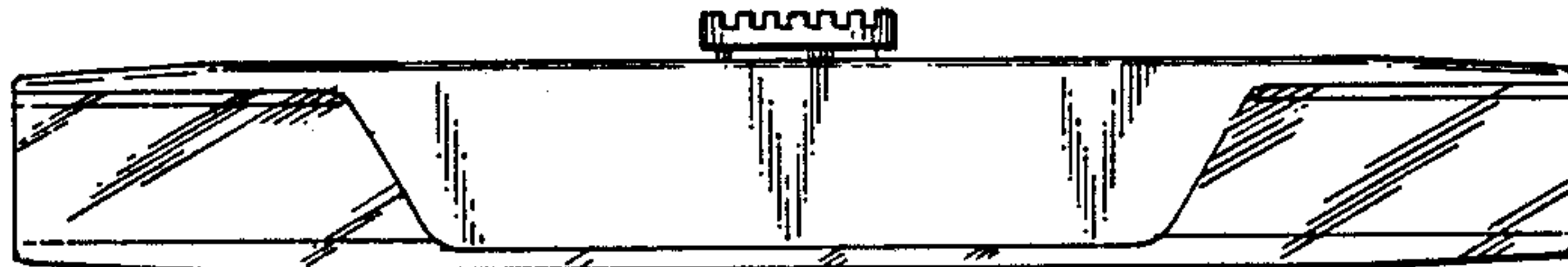


FIG. 3



FIG. 4



FIG. 5

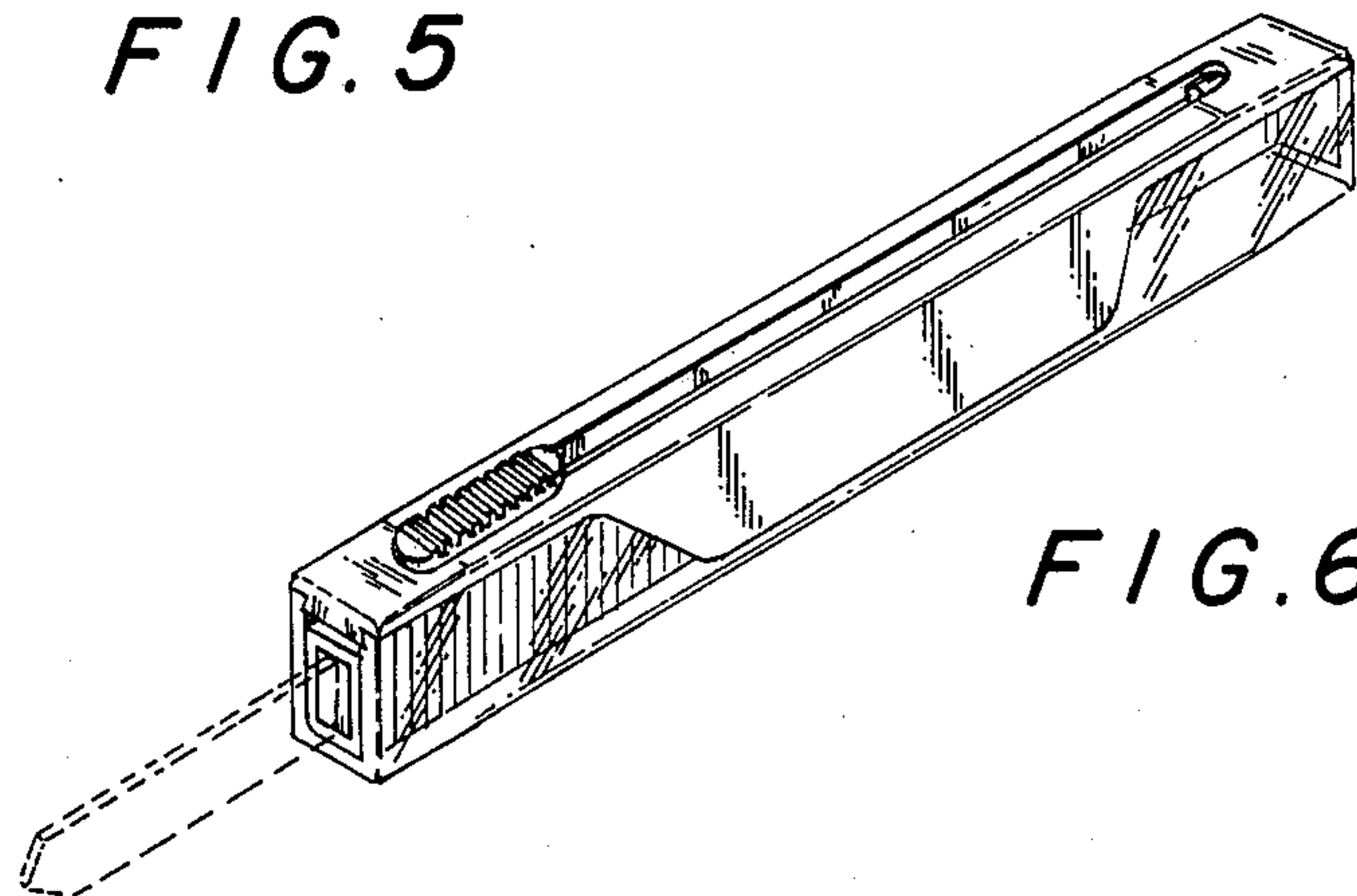


FIG. 6