

[54] ELECTRIC ROUTER

[75] Inventors: Juzaburo Monobe, Hiroshima; Kiyoshi Hoshino, Tokyo, both of Japan

[73] Assignee: Ryobi Ltd., Hiroshima, Japan

[**] Term: 14 Years

[21] Appl. No.: 46,493

[22] Filed: May 6, 1987

[30] Foreign Application Priority Data

Nov. 28, 1986 [JP] Japan 61-47302

[52] U.S. Cl. D8/67; D8/68

[58] Field of Search D8/67, 68; 144/136 C, 144/136 D; 409/182

[56] References Cited

U.S. PATENT DOCUMENTS

D. 286,131 10/1986 Yamamoto D8/67

D. 286,132 10/1986 Yamamoto D8/67

D. 300,501 4/1989 Zurwelle D8/67
3,487,747 1/1970 Burrows et al. 144/136 C

OTHER PUBLICATIONS

Bosch Power Tool Catalog, p. 42, © 1985, bottom panel "plunge router" #90303.

Primary Examiner—Winifred E. Herrmann
Assistant Examiner—John Warchol
Attorney, Agent, or Firm—Sughrue, Mion, Zinn, Macpeak & Seas

[57] CLAIM

The ornamental design for an electric router, as shown.

DESCRIPTION

FIG. 1 is a right side elevational view of an electric router showing our new design; FIG. 2 is a left side elevational view thereof; FIG. 3 is a front elevational view thereof; FIG. 4 is a rear elevational view thereof; FIG. 5 is a bottom plan view thereof; and FIG. 6 is a top plan view thereof.

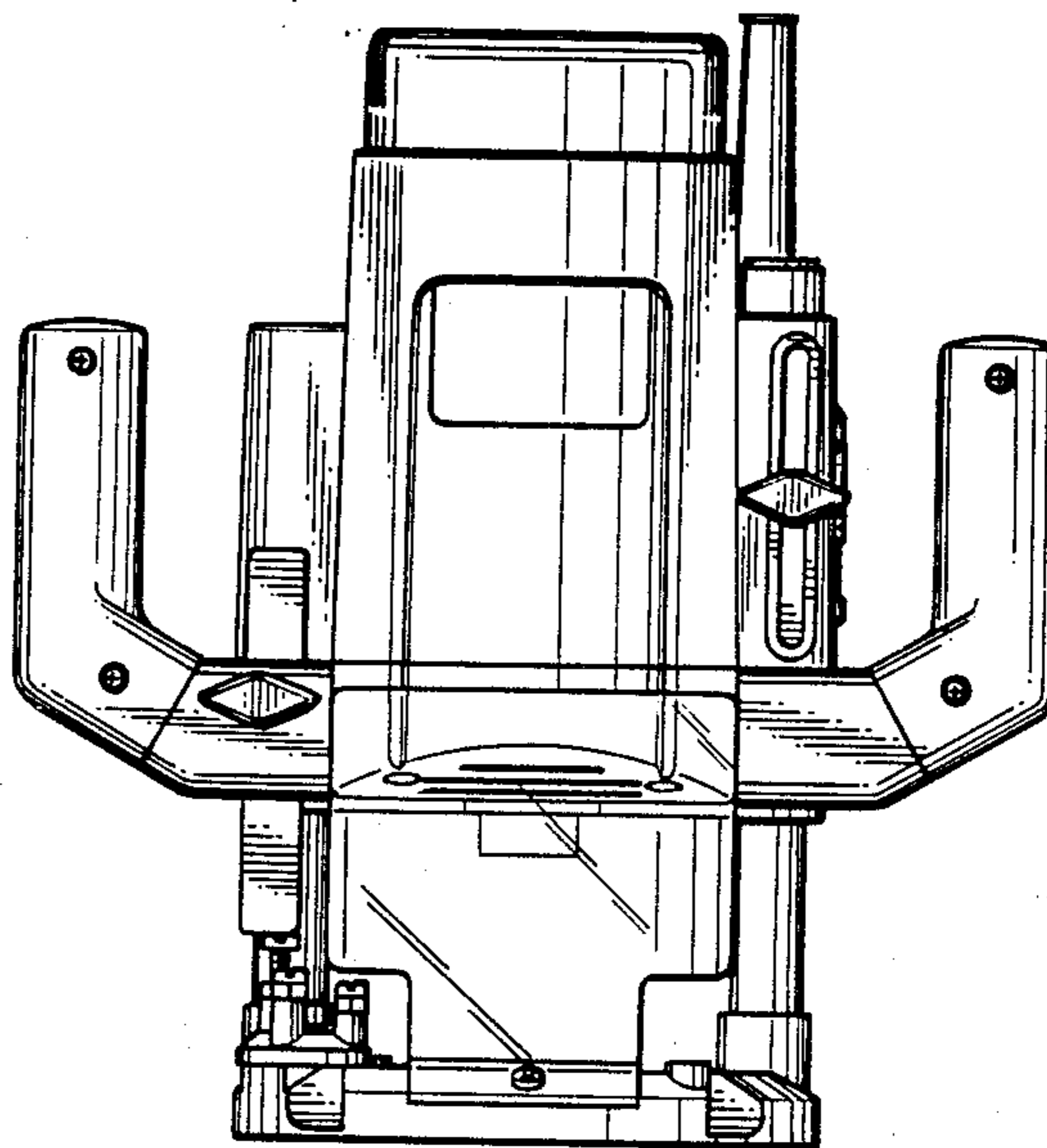
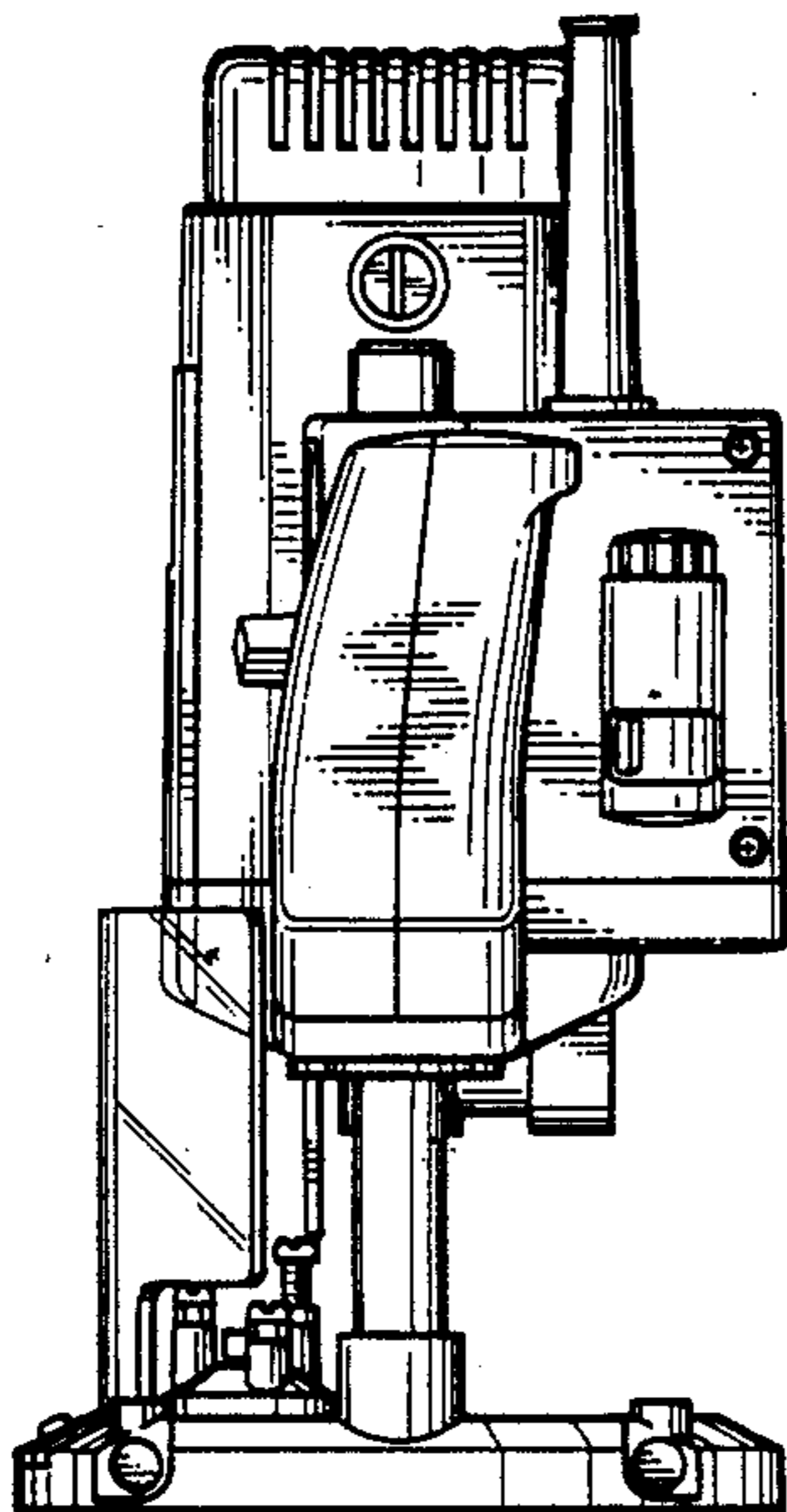


Fig. 2

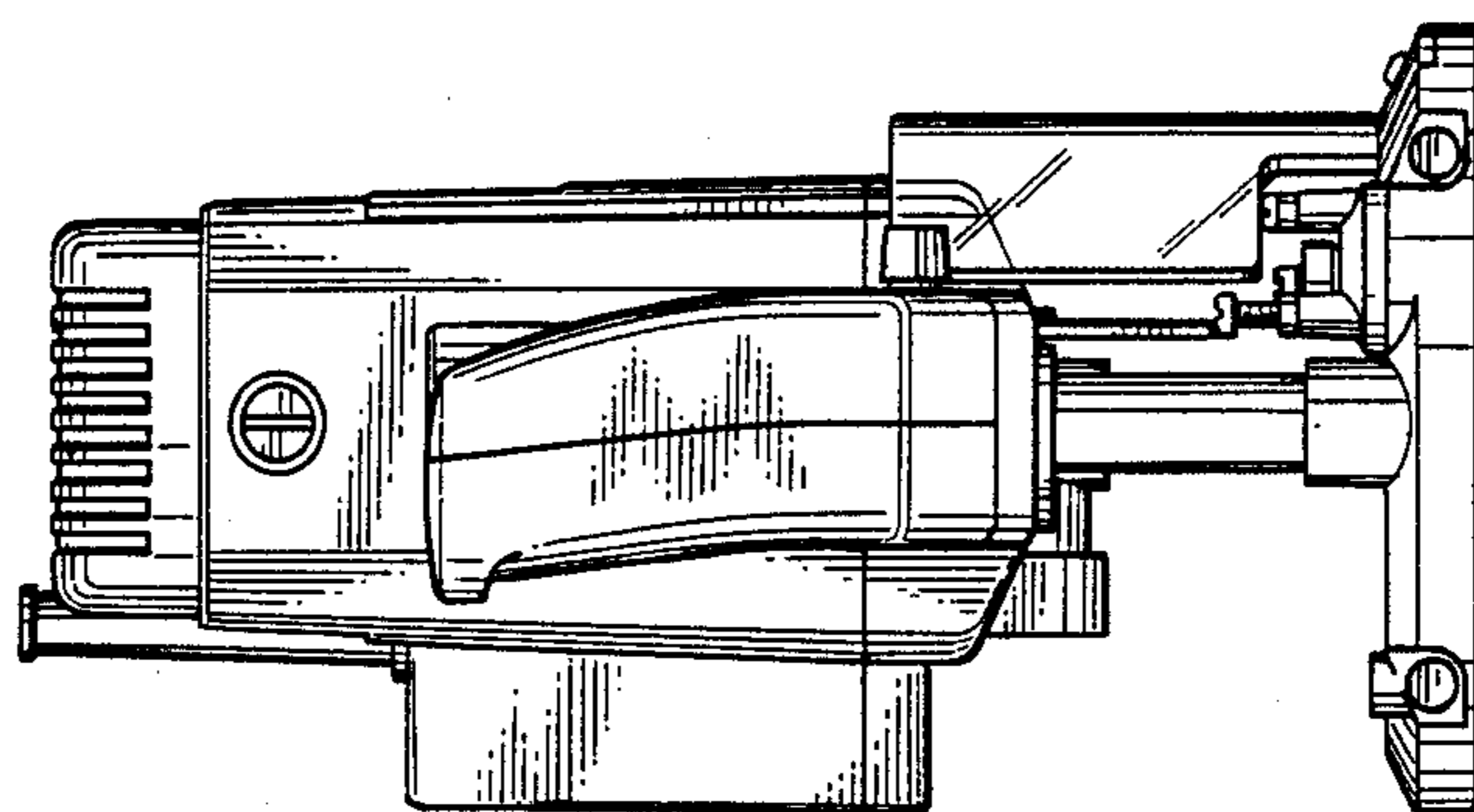


Fig. 1

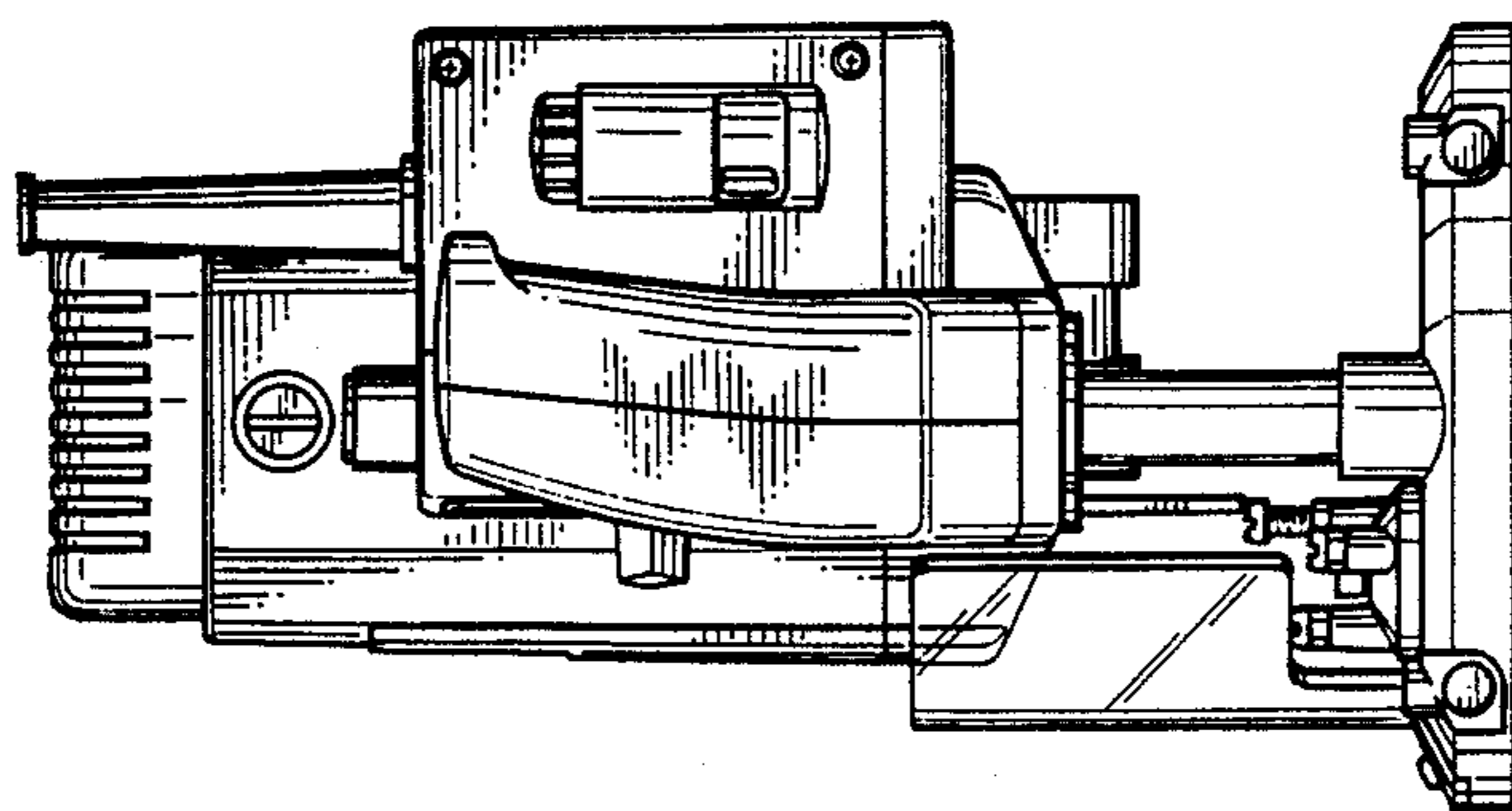


Fig. 4

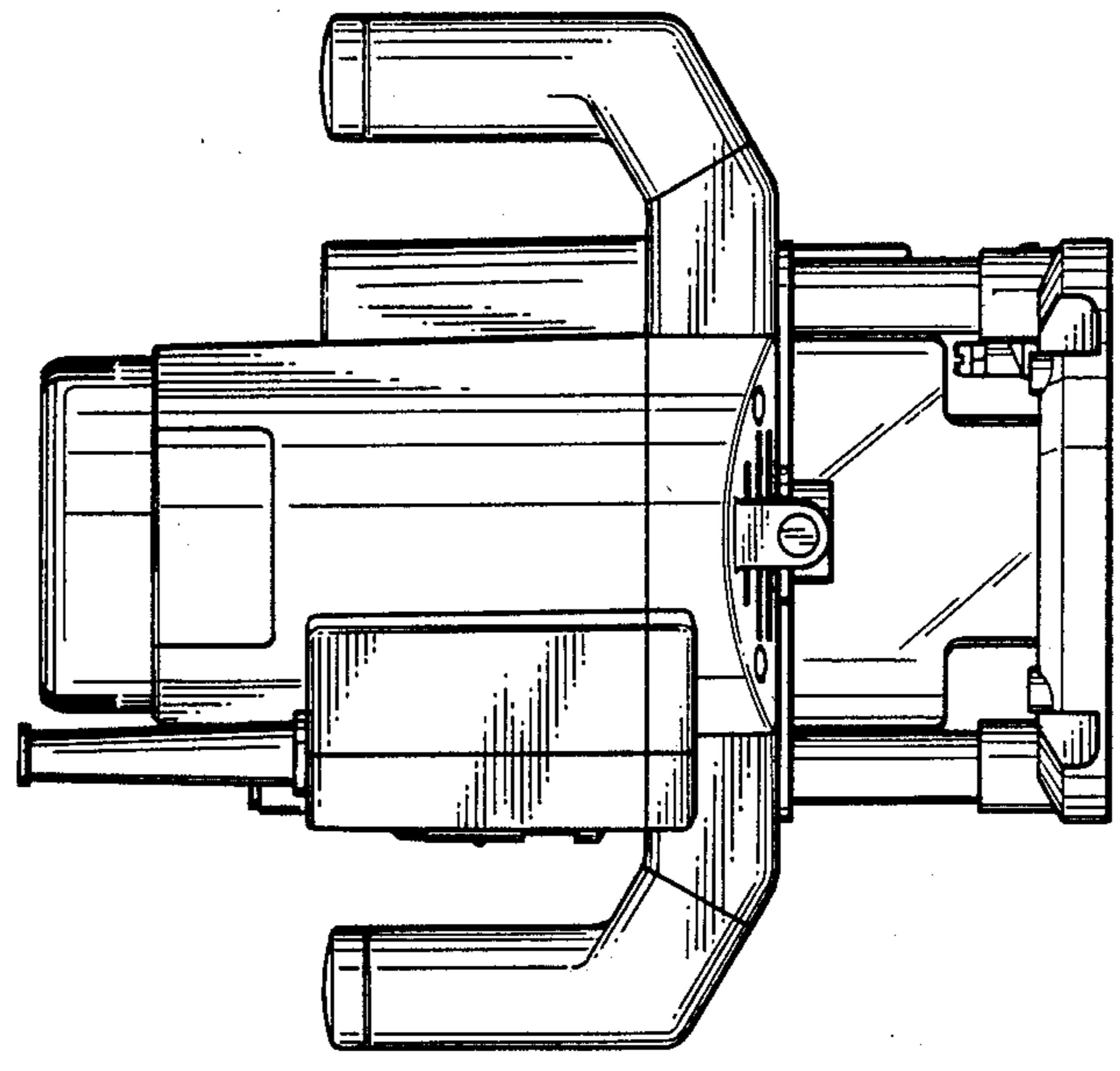


Fig. 3

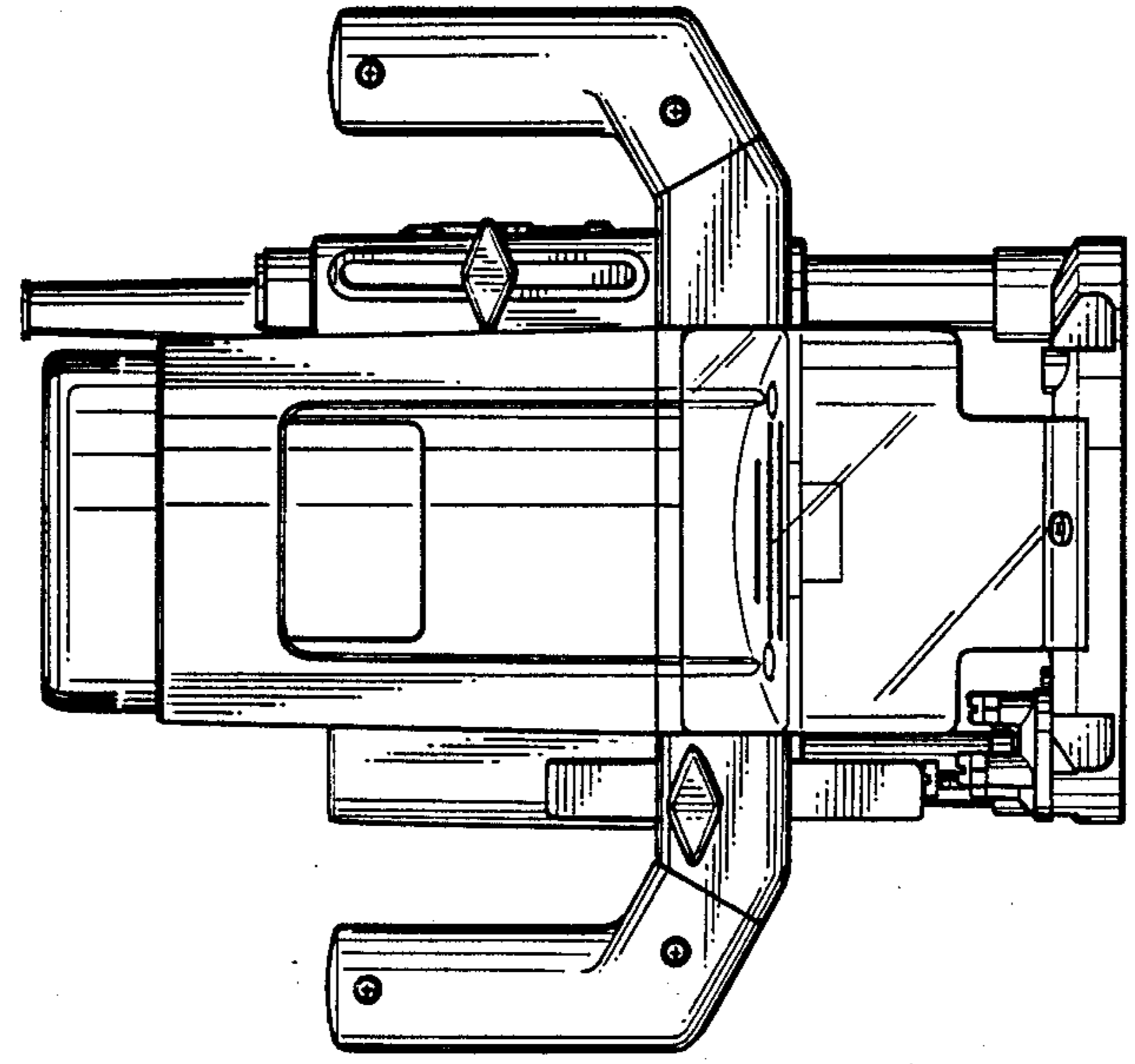


Fig. 6

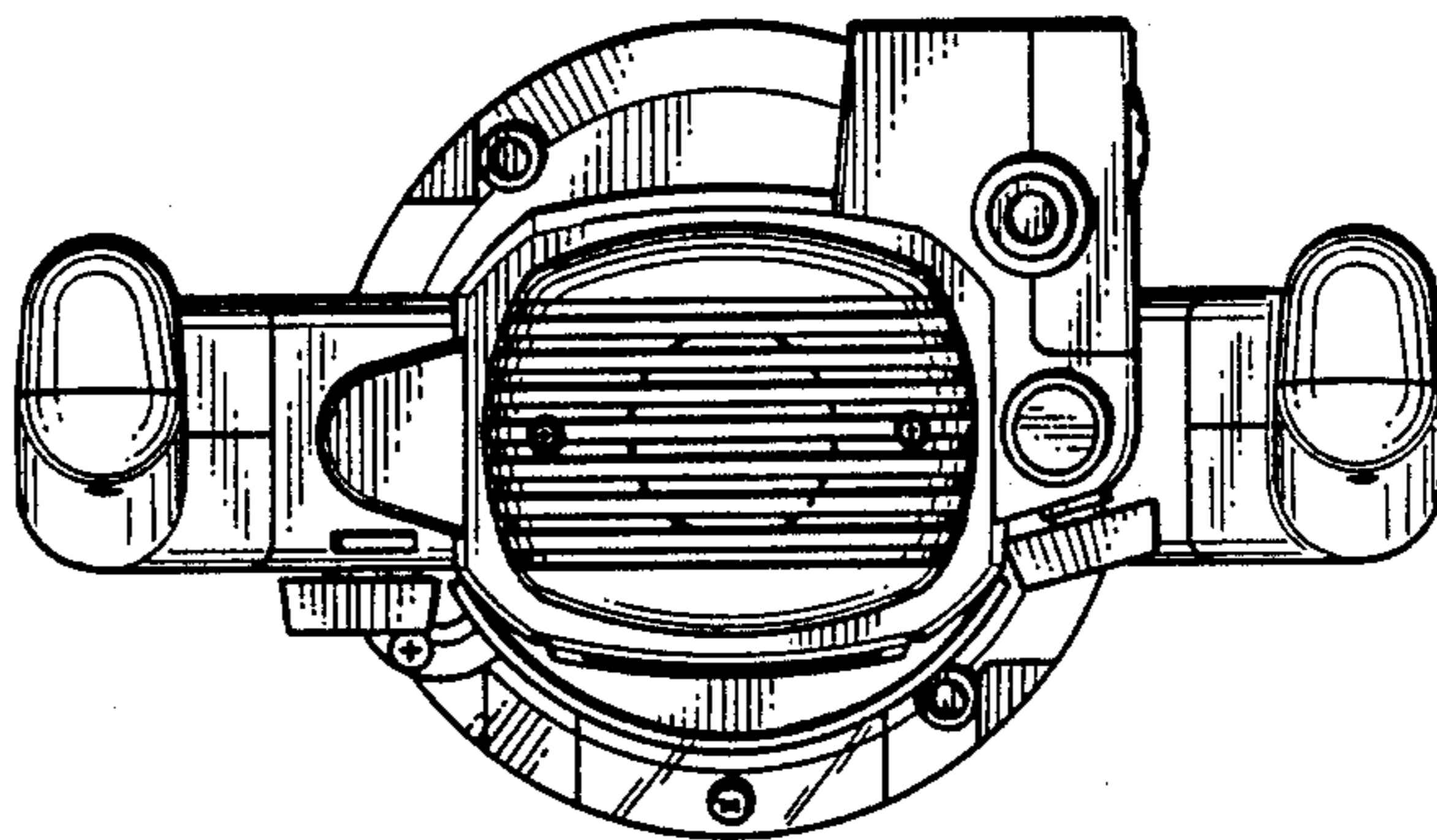


Fig. 5

