

- [54] PORTABLE PNEUMATIC TOOL
- [75] Inventors: Hugh T. Greenlee; Roy P. Hess, both of Gates Mills, Ohio
- [73] Assignee: Upneumat International, Inc., New Fairfield, Conn.
- [**] Term: 14 Years
- [21] Appl. No.: 939,450
- [22] Filed: Dec. 8, 1986
- [52] U.S. Cl. D8/61
- [58] Field of Search D8/61-70; 173/170; 81/57.11, 57.13, 57.14; 51/170 R, 170 PT; 310/50

[56] References Cited

U.S. PATENT DOCUMENTS

D. 248,820	8/1978	Roth et al.	D8/61
D. 288,770	3/1987	Doman	D8/68
D. 294,001	2/1988	Greenlee et al.	D8/68
D. 298,301	11/1988	Stephan	D8/61
2,566,183	8/1951	Forss	81/57.14
2,895,360	7/1959	Madsen	173/170

Primary Examiner—Nelson C. Holtje

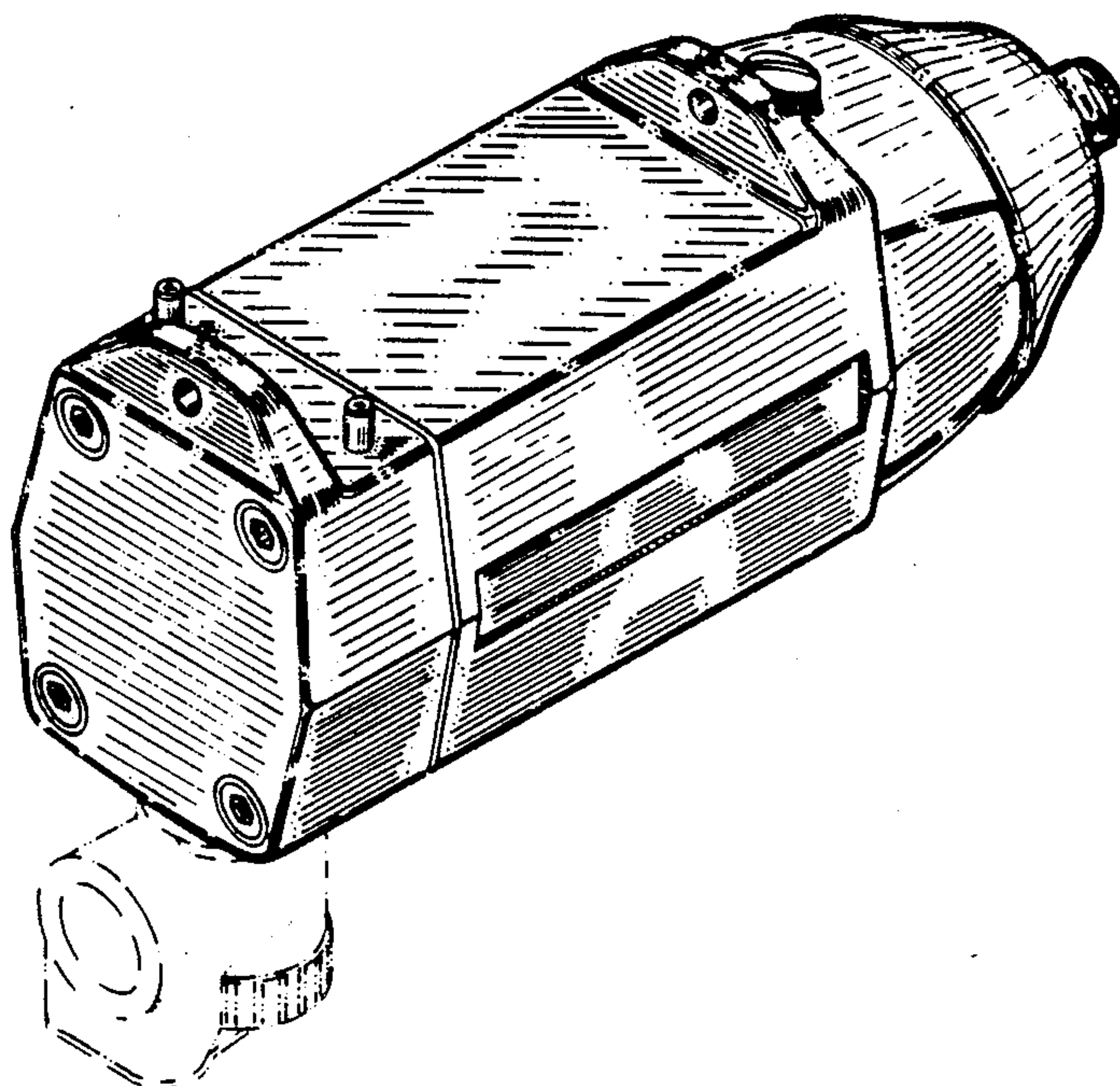
Assistant Examiner—Clare E. Heflin
Attorney, Agent, or Firm—George C. Atwell

[57] CLAIM

The ornamental design for a portable pneumatic tool, as shown and described.

DESCRIPTION

FIG. 1 is a top plan view of a portable pneumatic tool showing our new design;
 FIG. 2 is a side elevational view thereof, the opposite side being a mirror image;
 FIG. 3 is a bottom plan view thereof;
 FIG. 4 is a rear elevational view thereof;
 FIG. 5 is a front elevational view thereof;
 FIG. 6 is a rear perspective view thereof;
 FIG. 7 is a rear perspective view of a portable pneumatic tool showing our new design with a typical control structure and air hose inlet in broken lines for illustrative purposes only;
 FIG. 8 is a top plan view thereof;
 FIG. 9 is a bottom plan view thereof.
 The broken line showing of the related structural components is for illustrative purposes only and forms no part of the claimed design.



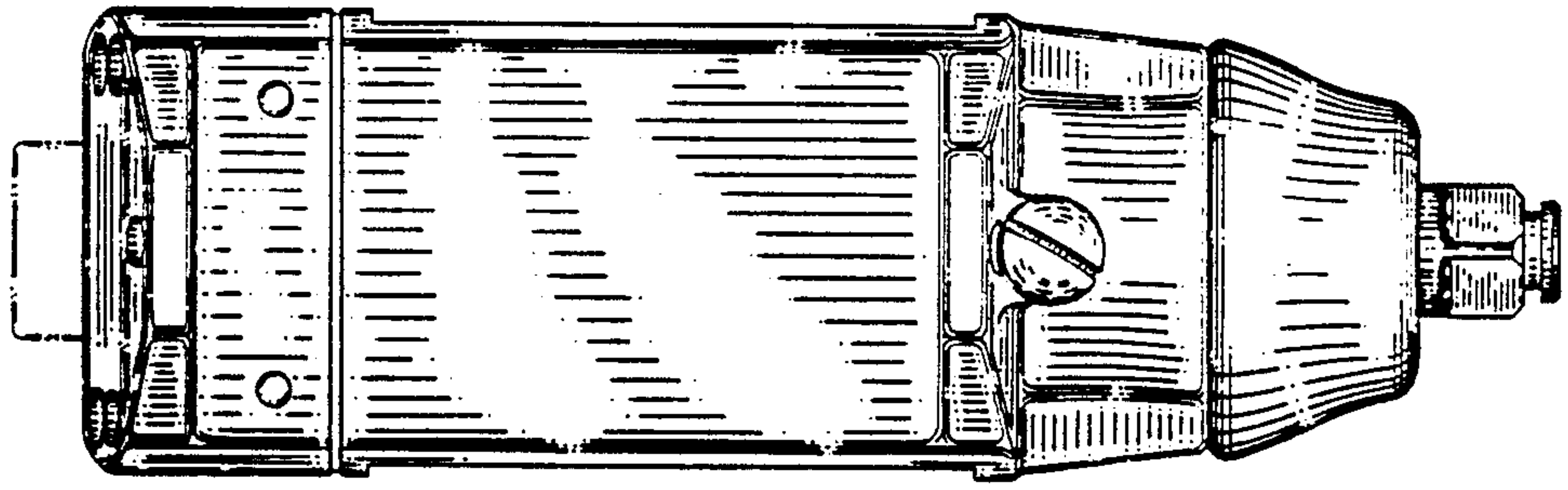


FIG. 1

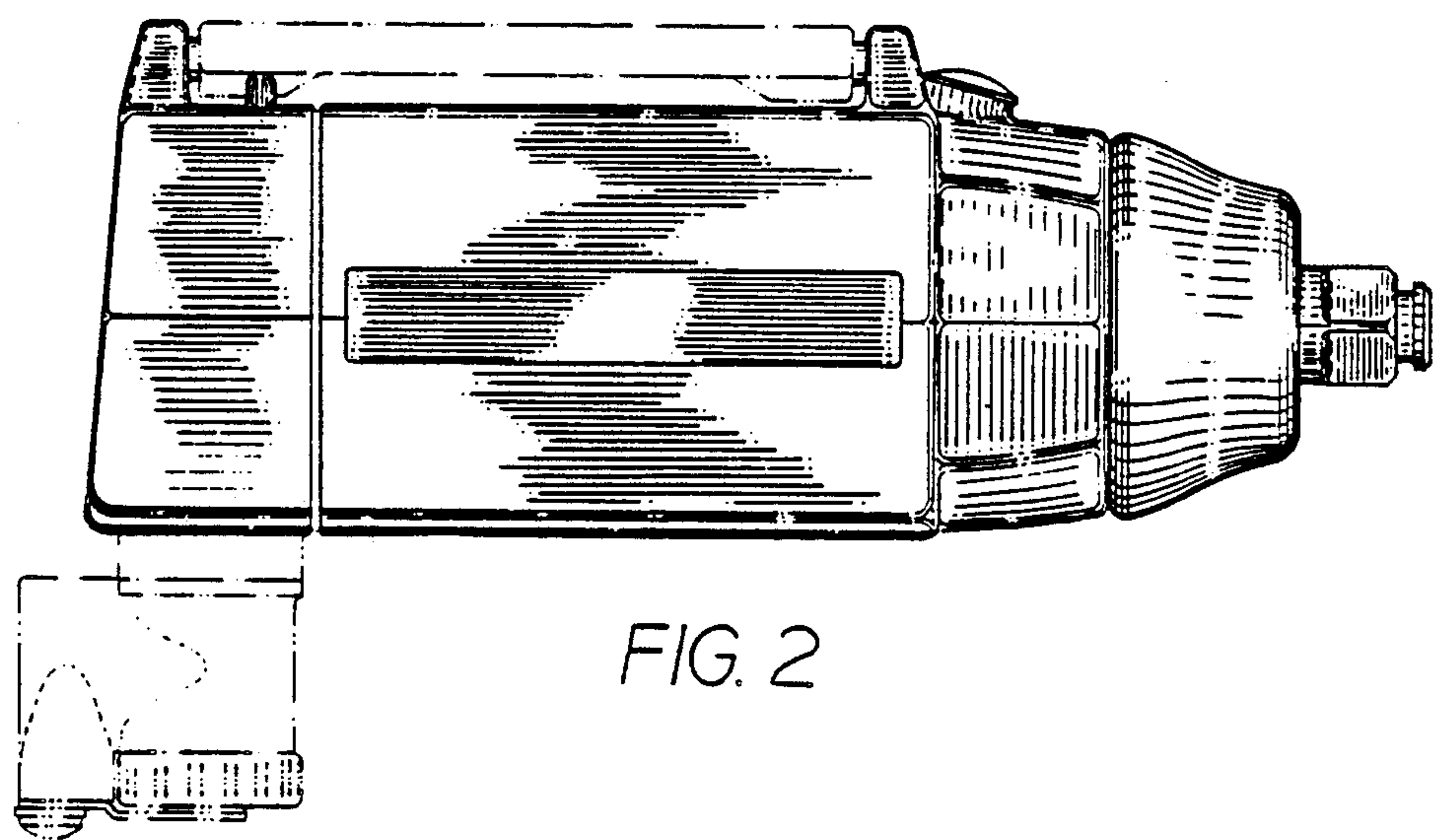


FIG. 2

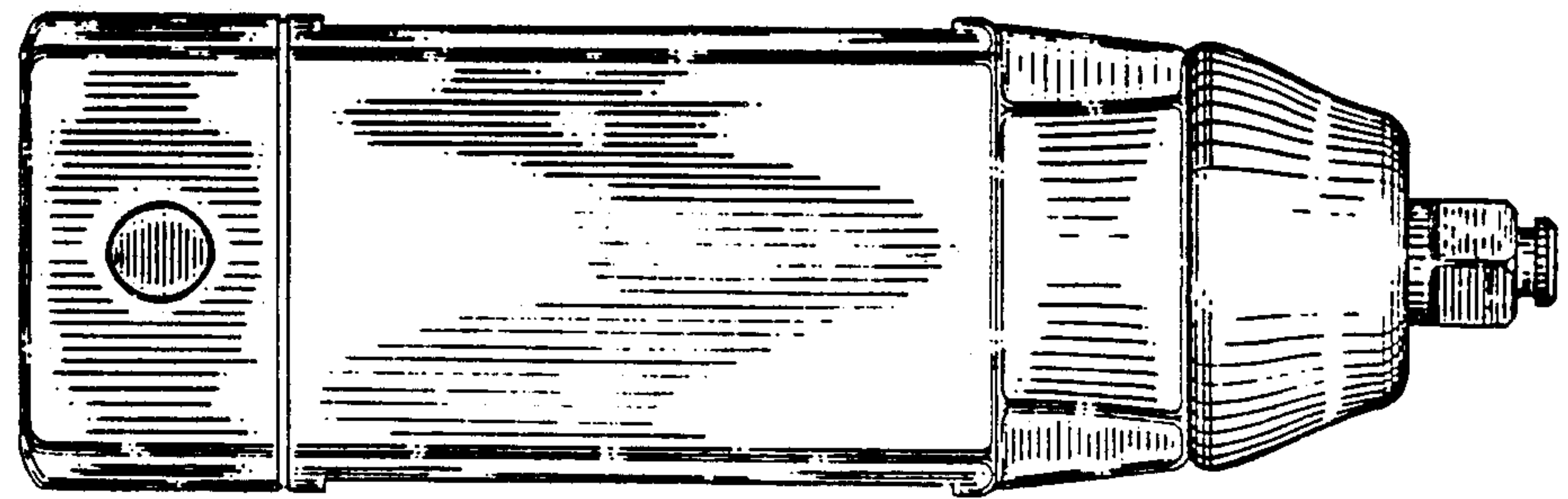


FIG. 3

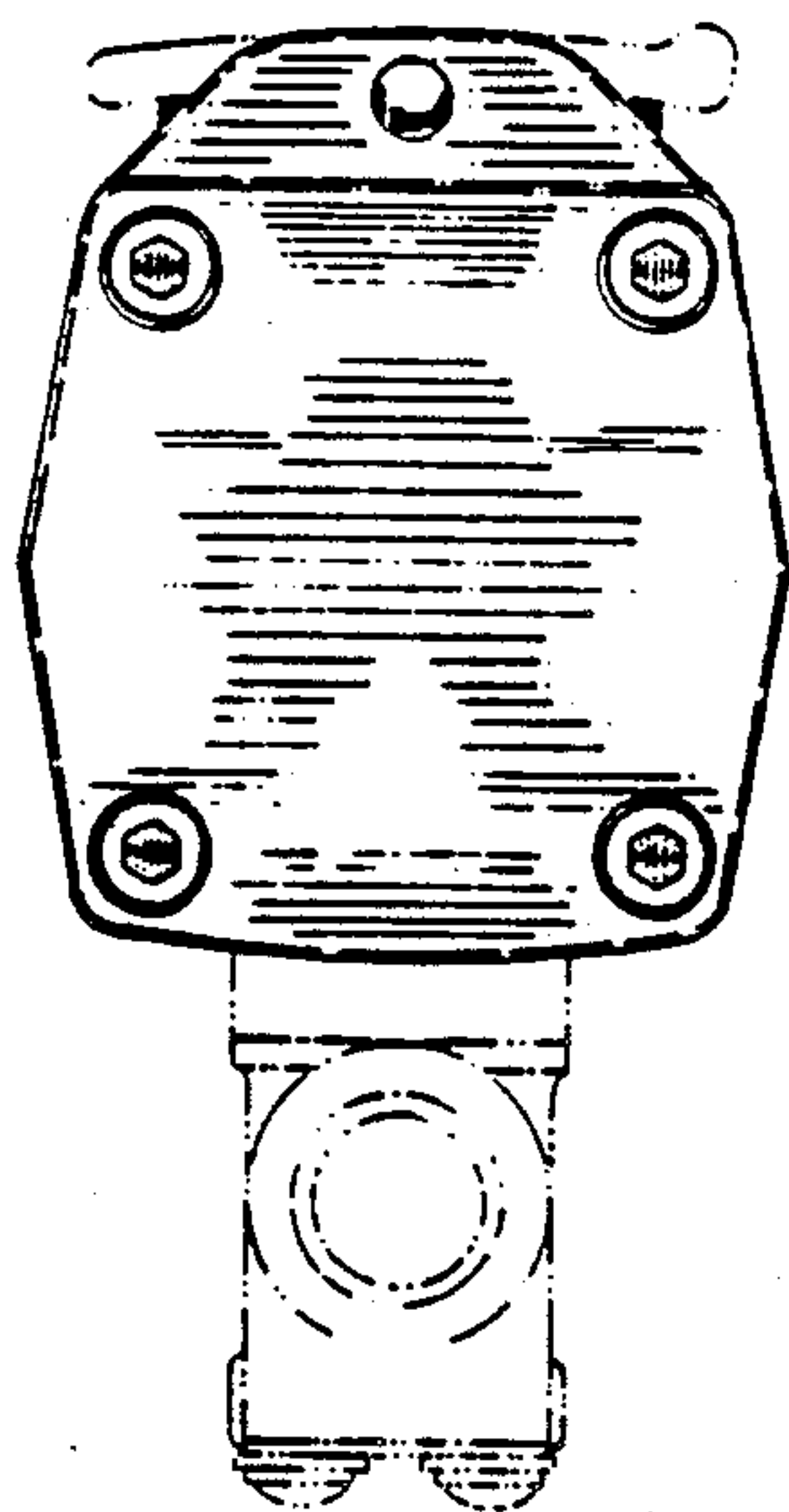


FIG. 4

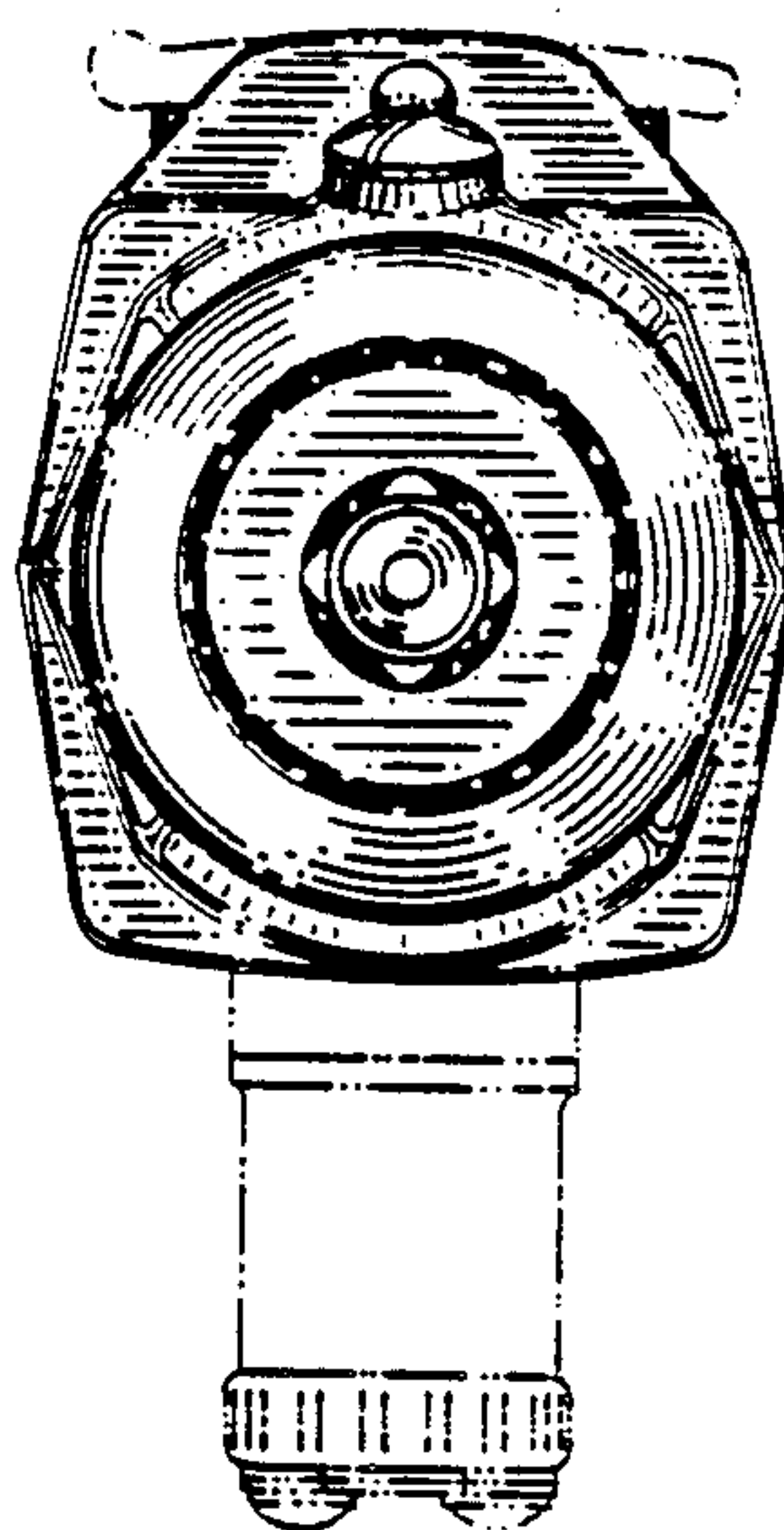


FIG. 5

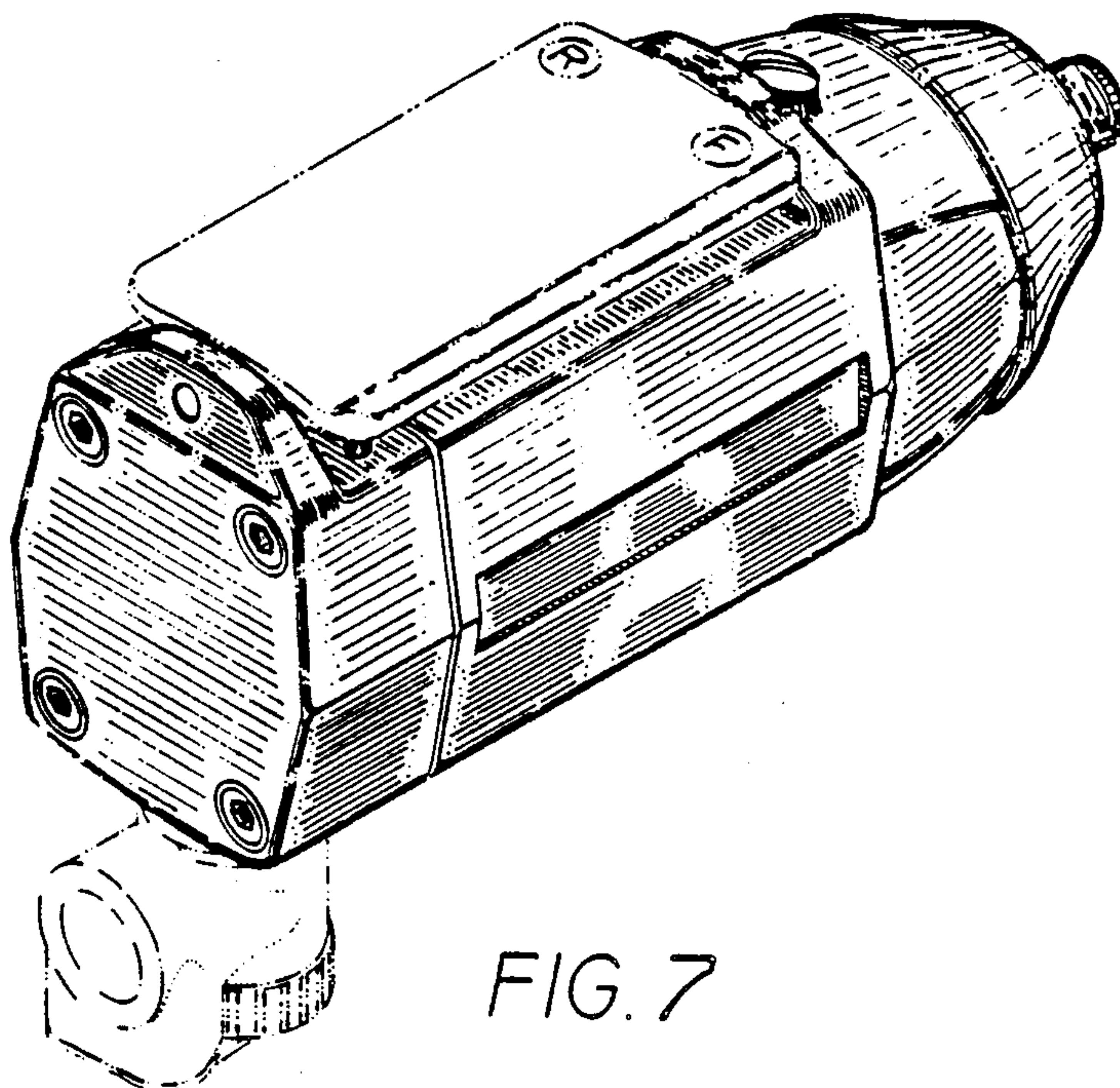


FIG. 7

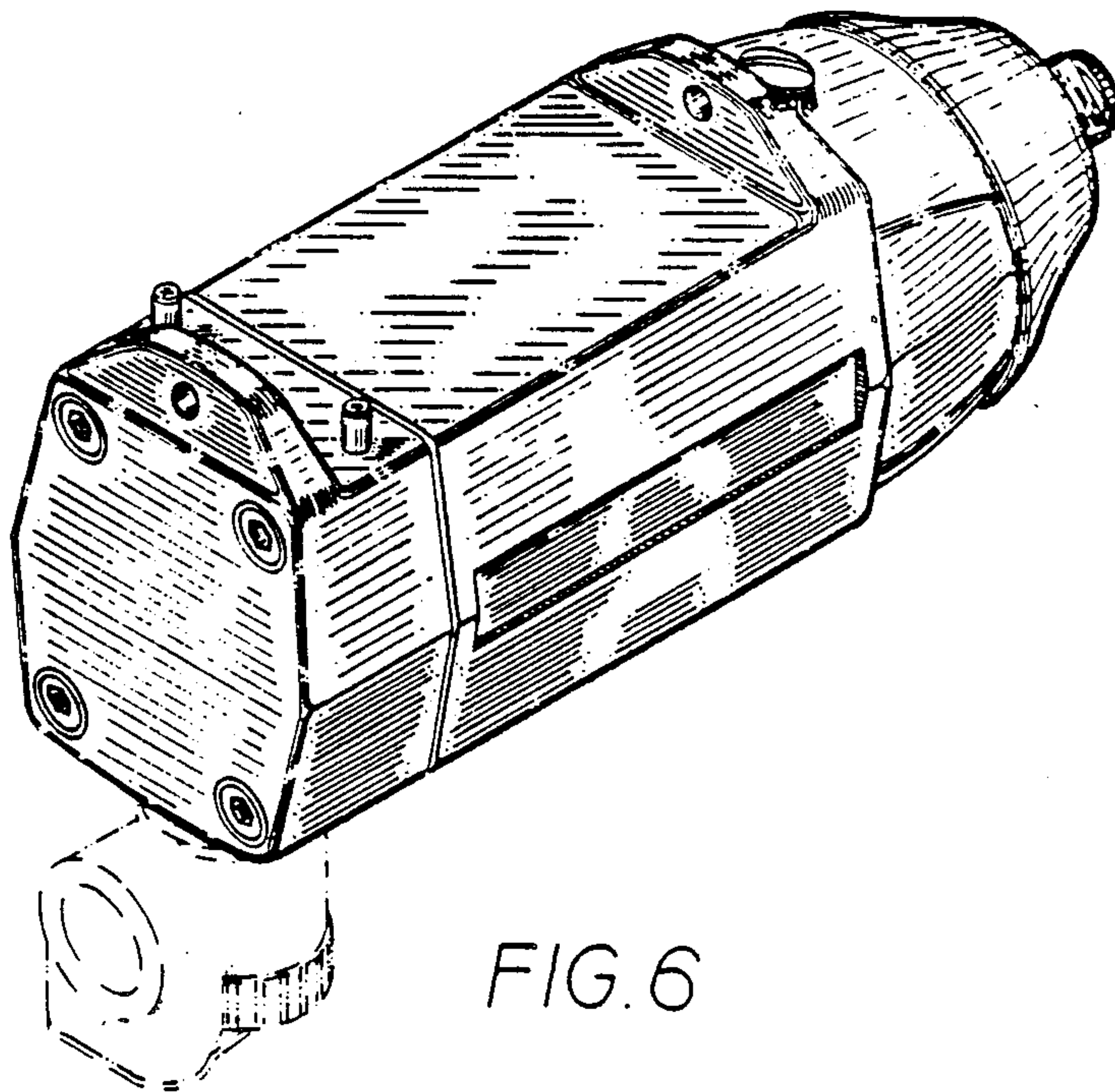


FIG. 6

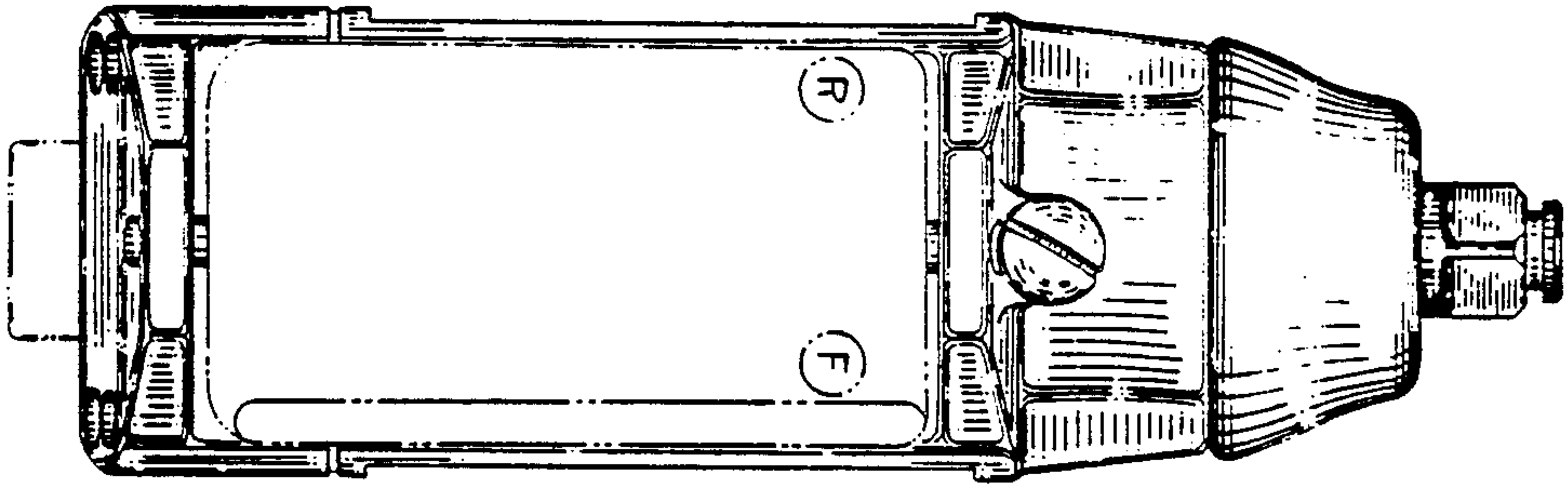


FIG. 8

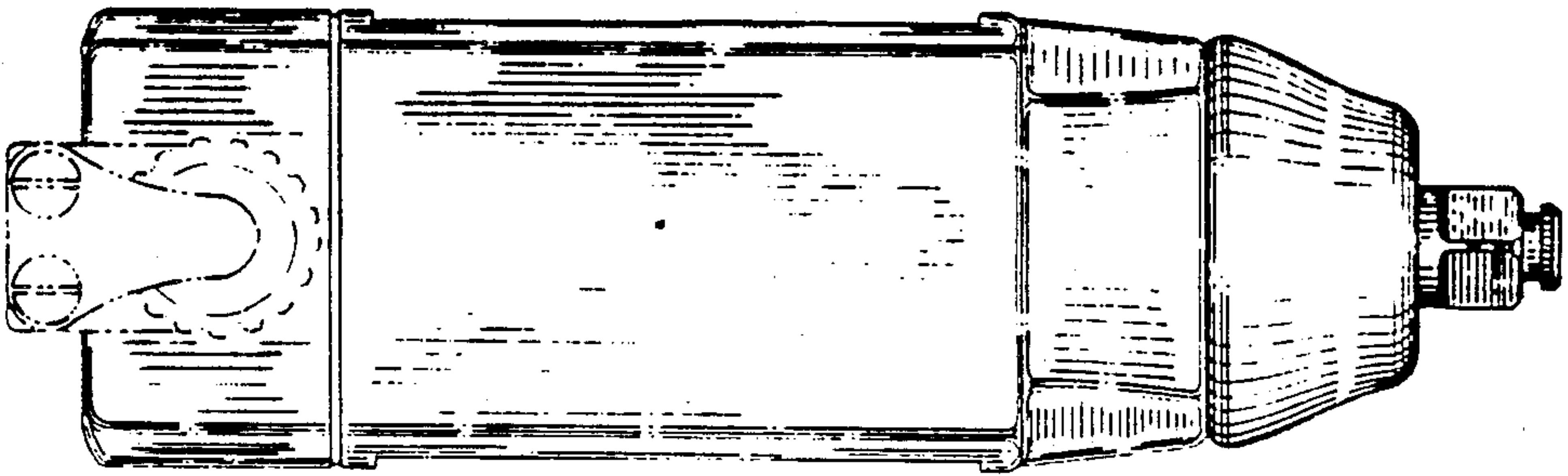


FIG. 9