

[54] HAND TOOL FOR GARDENING PURPOSES

[75] Inventor: Gianfranco Roman, Pasiano, Italy

[73] Assignee: Claber S.p.A., Italy

[**] Term: 14 Years

[21] Appl. No.: 127,698

[22] Filed: Dec. 2, 1987

[30] Foreign Application Priority Data

Jun. 12, 1987 [IT] Italy 21795/87[U]

[52] U.S. Cl. D8/11; D8/6; D8/7; D8/13

[58] Field of Search D8/1, 6-7, D8/9, 11, 13, 107; 172/371, 375, 378, 380-381; 7/114-116; 30/169-171; 56/342, 400.1, 400.04-400.06; 76/109; 294/49, 52

[56] References Cited

U.S. PATENT DOCUMENTS

D. 154,303	6/1949	Pavlinetz	D8/6
D. 234,743	4/1975	Andersen	D8/11 X
D. 241,409	9/1976	Lopizich	D8/6
1,032,376	7/1928	Boivin	294/52
1,685,217	9/1928	Guthrie	172/375
1,749,731	3/1930	Mehlig	D8/13 X
2,040,751	5/1936	Marseilles	172/375
3,952,812	4/1976	Lucan	172/375

OTHER PUBLICATIONS

Tree Temper brochure (1965) "New Hand Tools".
Pritzlaff Hardware Catalogue #90 (1939) p. 384, Weeding Hoes, Withington Brand.
Ames Catalogue No. 21-990 (May 1986) p. 22 Cultivators.
Union Catalogue (12/4/86) p. 32, Weeding Hoes.

Primary Examiner—Wallace R. Burke
Assistant Examiner—Brian N. Vinson
Attorney, Agent, or Firm—Steele, Gould & Fried

[57] CLAIM

The ornamental design for a hand tool for gardening purposes, as shown and described.

DESCRIPTION

FIG. 1 is a right side elevational view of a hand tool for

gardening purposes as embodied in a cultivator and incorporating my new design, the left side being a mirror image of that shown;

FIG. 2 is a top plan view thereof;

FIG. 3 is a bottom plan view thereof;

FIG. 4 is a front elevational view thereof;

FIG. 5 is a rear elevational view thereof;

FIG. 6 is a right side elevational view of a hand tool for gardening purposes as embodied in a weeding hoe and incorporating my new design, the left side being a mirror image of that shown;

FIG. 7 is a top plan view of the embodiment of FIG. 6; FIG. 8 is a bottom plan view of the embodiment of FIG. 6;

FIG. 9 is a front elevational view of the embodiment of FIG. 6;

FIG. 10 is a rear elevational view of the embodiment of FIG. 6;

FIG. 11 is a right side elevational view of a hand tool for gardening purposes as embodied in a weeding hoe and incorporating my new design, the left side being a mirror image of that shown;

FIG. 12 is a top plan view of the embodiment of FIG. 11;

FIG. 13 is a bottom plan view of the embodiment of FIG. 11;

FIG. 14 is a front elevational view of the embodiment of FIG. 11;

FIG. 15 is a rear elevational view of the embodiment of FIG. 11;

FIG. 16 is a right side elevational view of a hand tool for gardening purposes as embodied in a weeding hoe and incorporating my new design, the left side being a mirror image of that shown;

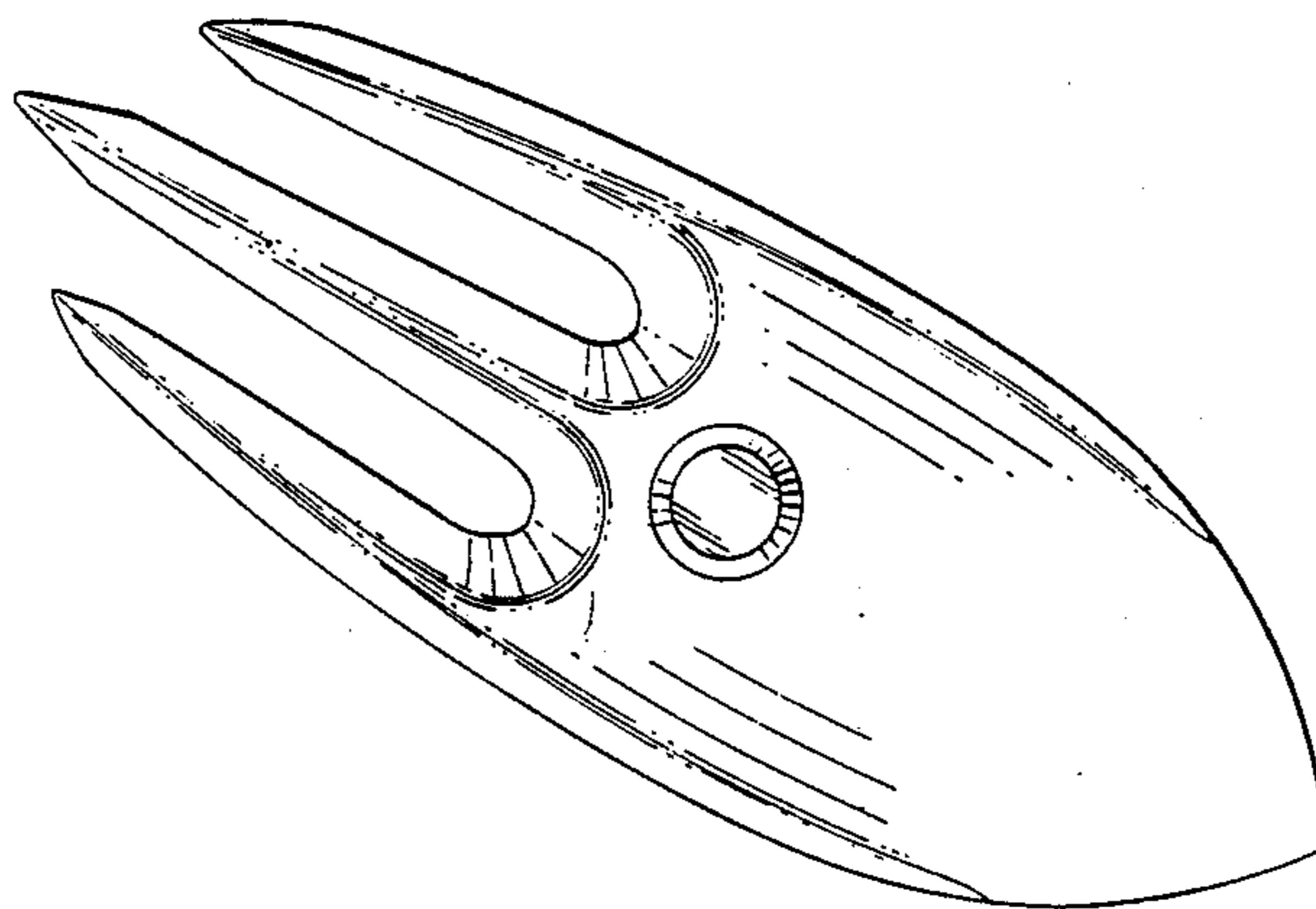
FIG. 17 is a top plan view of the embodiment of FIG. 16;

FIG. 18 is a bottom plan view of the embodiment of FIG. 16;

FIG. 19 is a front elevational view of the embodiment of FIG. 16;

FIG. 20 is a rear elevational view of the embodiment of FIG. 16;

FIG. 21 is a right side elevational view of a hand tool for gardening purposes as embodied in a weeding hoe



and incorporating my new design, the left side being a mirror image of that shown;

FIG. 22 is a top plan view of the embodiment of FIG. 21;

FIG. 23 is a bottom plan view of the embodiment of FIG. 21;

FIG. 24 is a front elevational view of the embodiment of FIG. 21; and

FIG. 25 is a rear elevational view of the embodiment of FIG. 21.

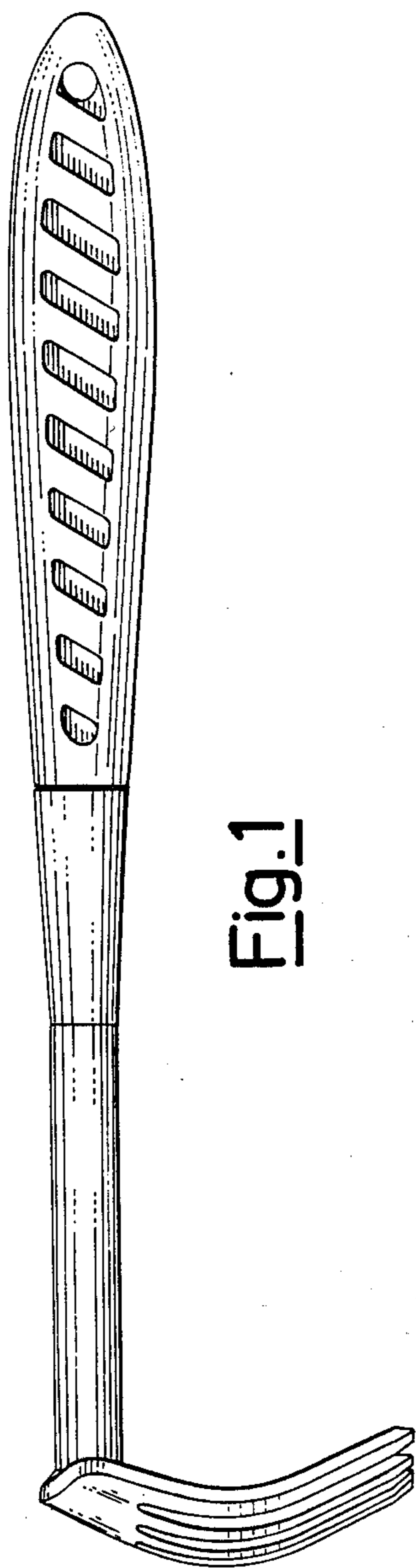


Fig. 1

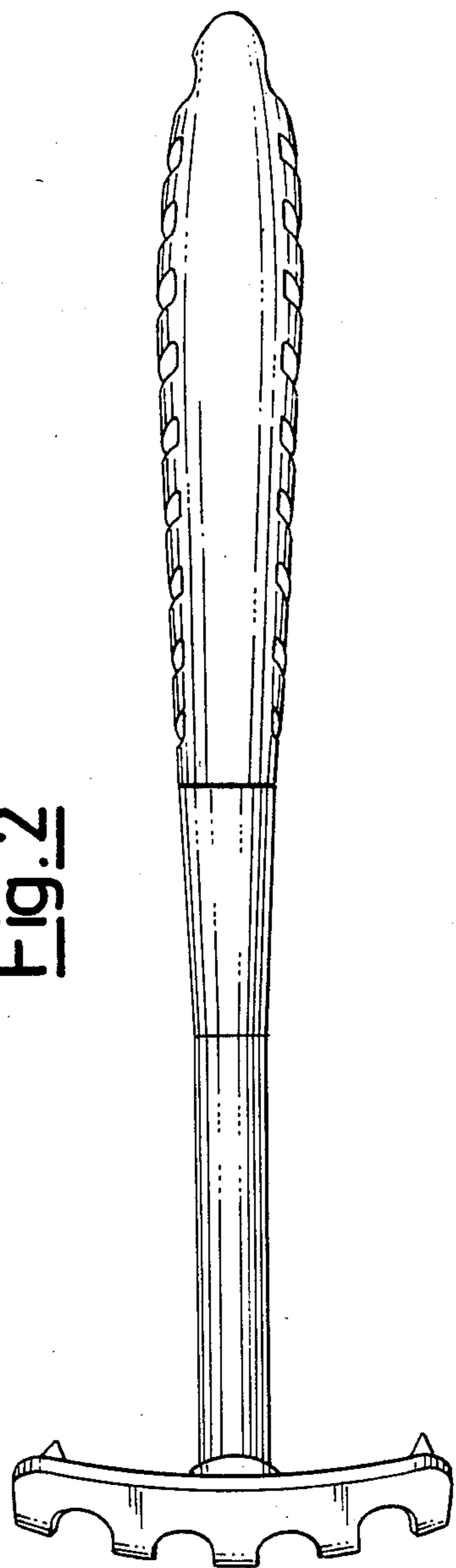


Fig. 2

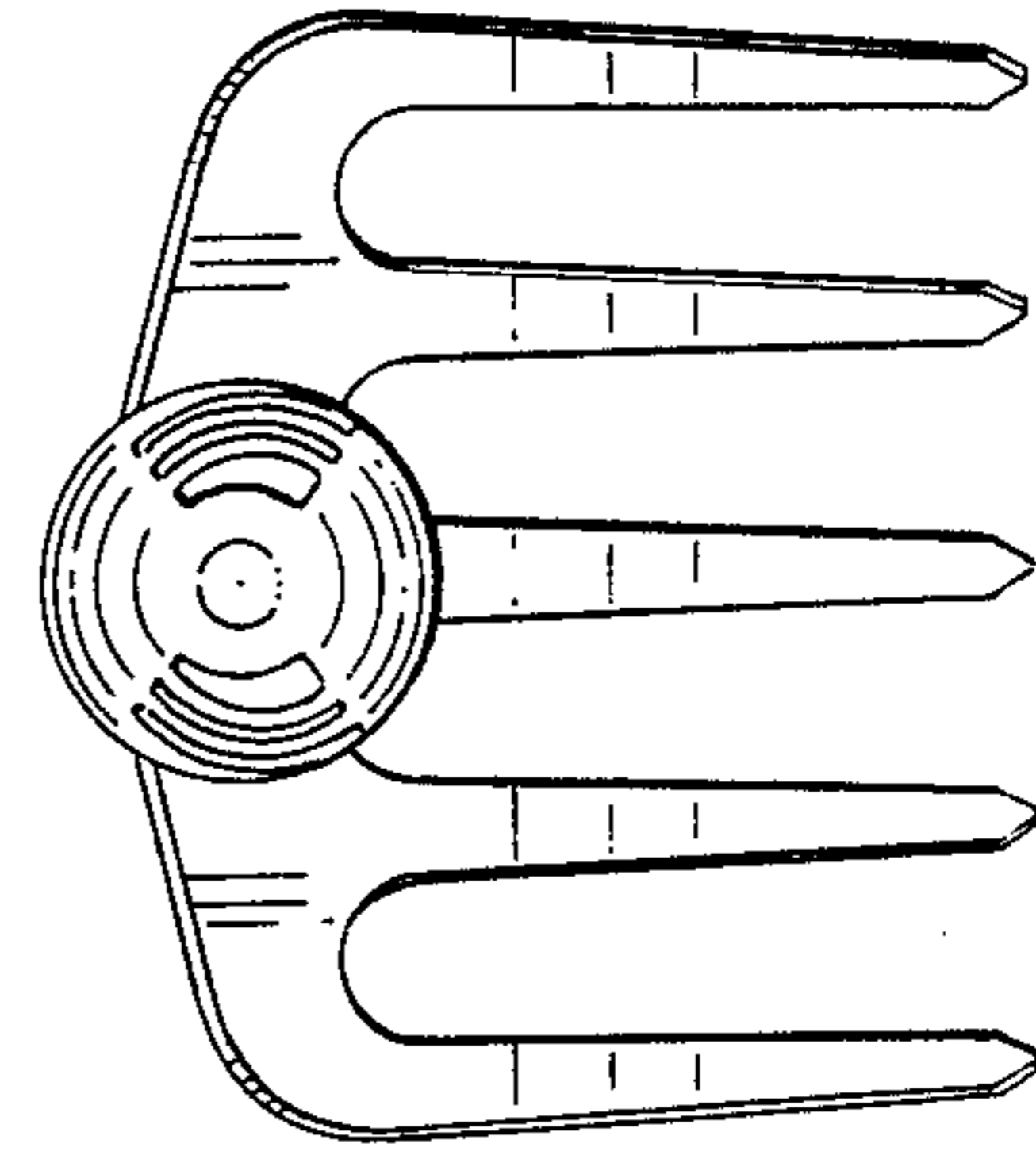
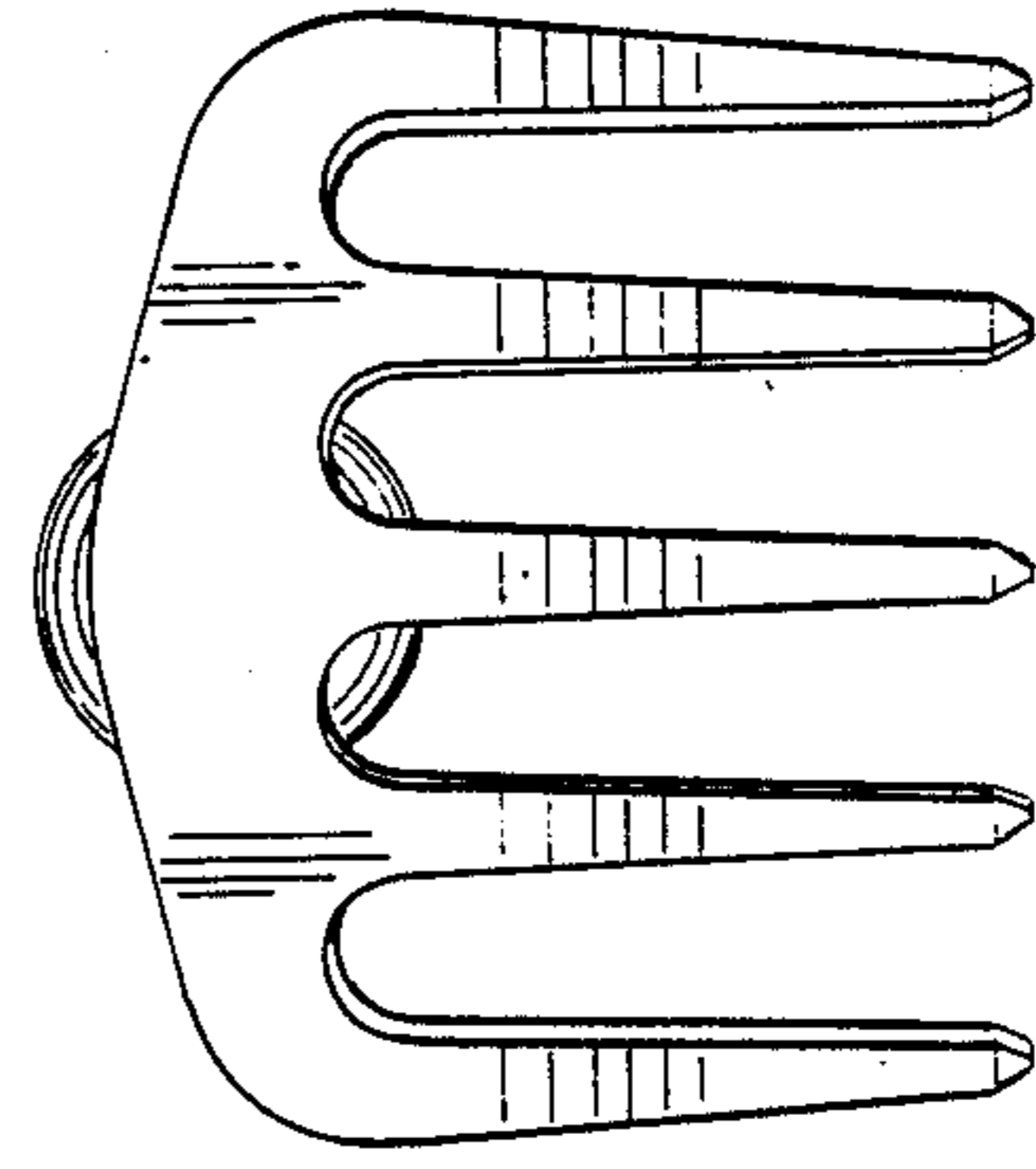
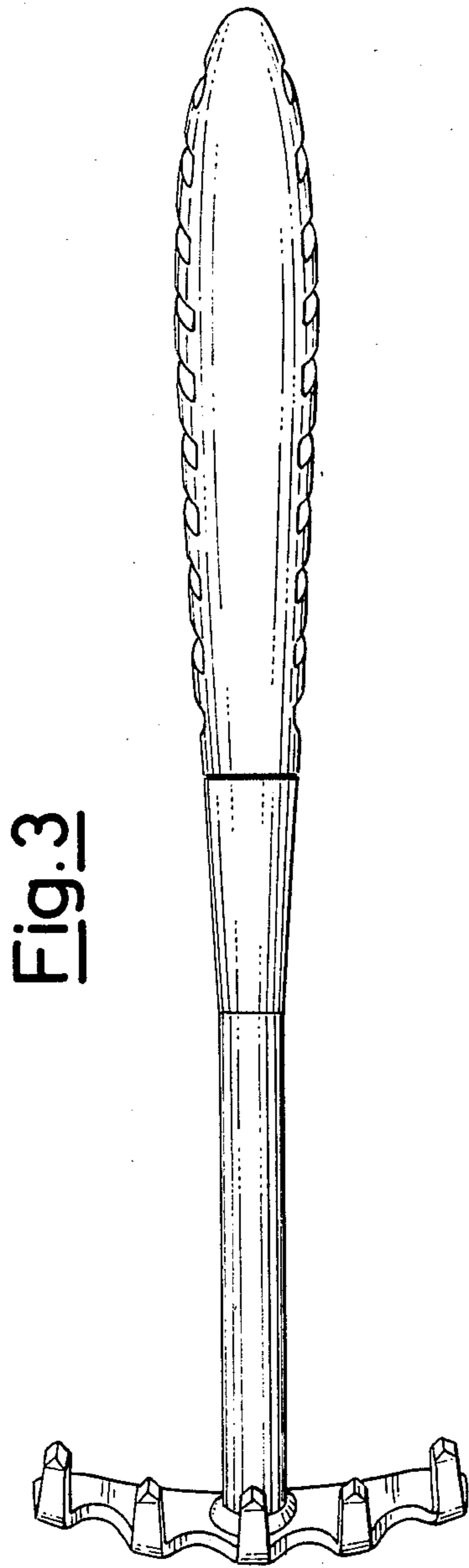


Fig. 6

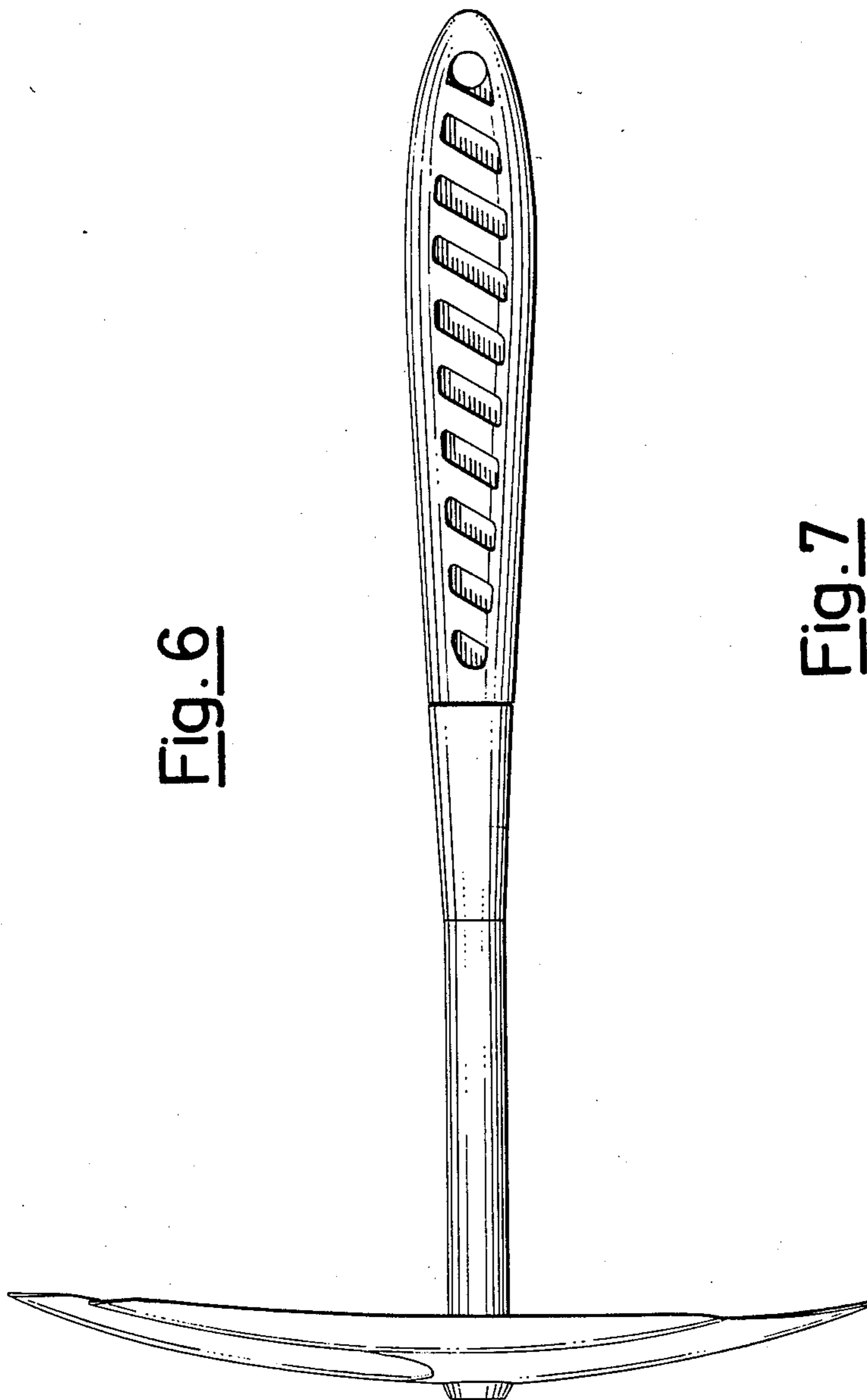
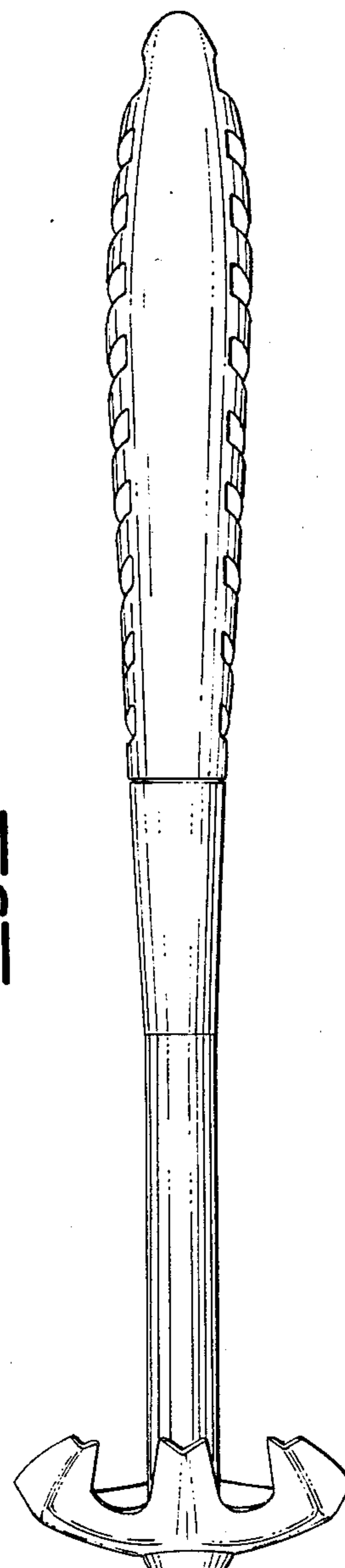


Fig. 7



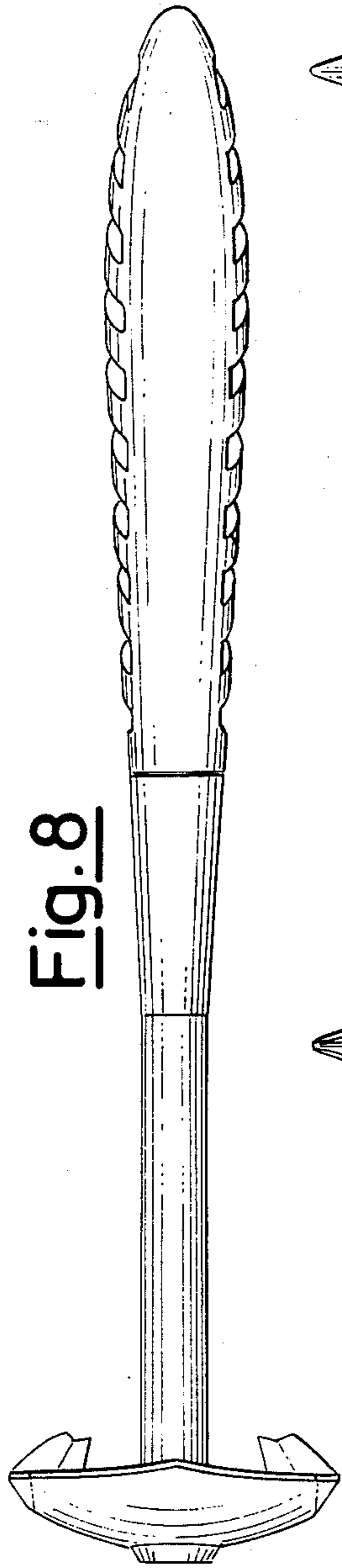


Fig. 8

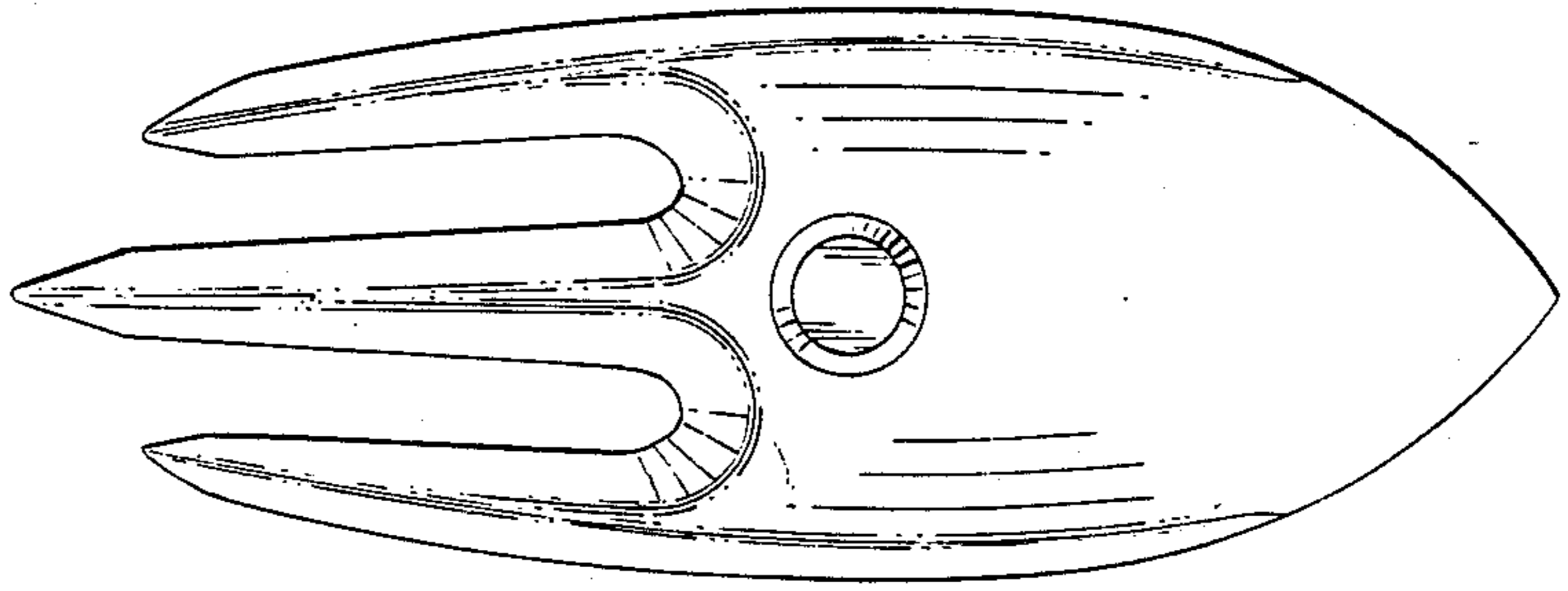


Fig. 9

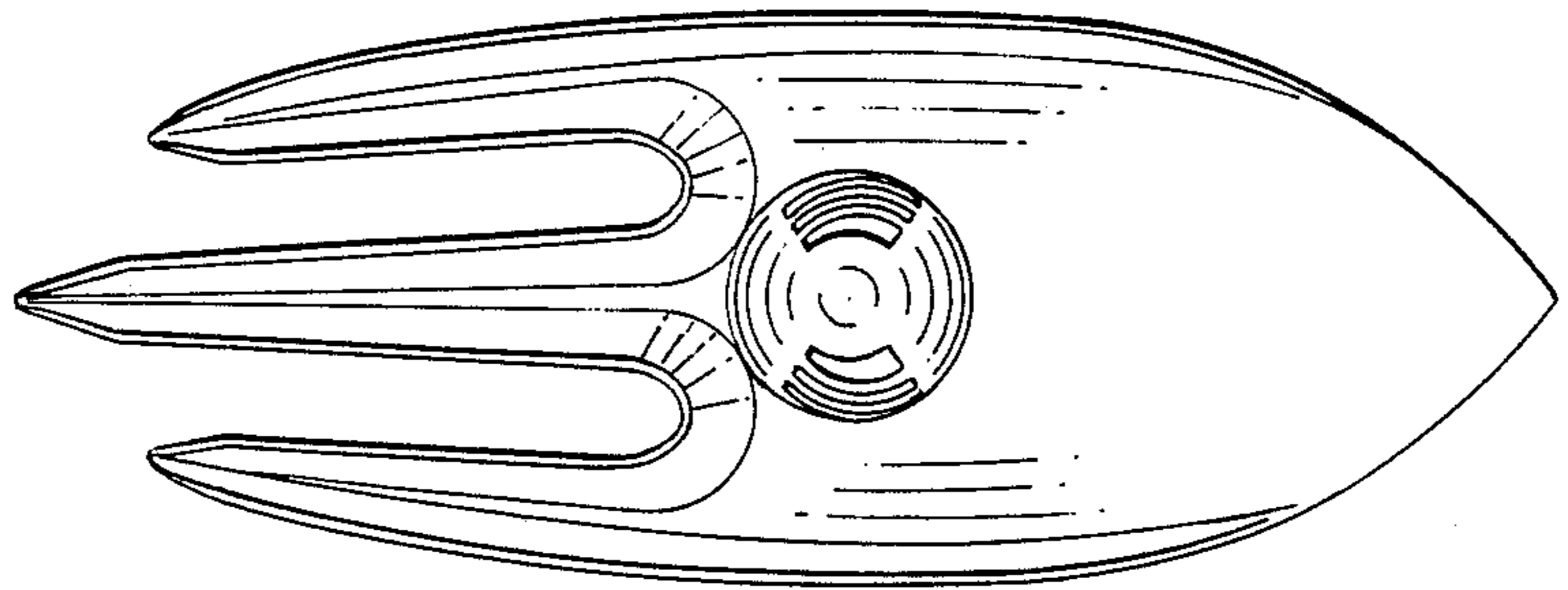


Fig. 10

Fig. 11

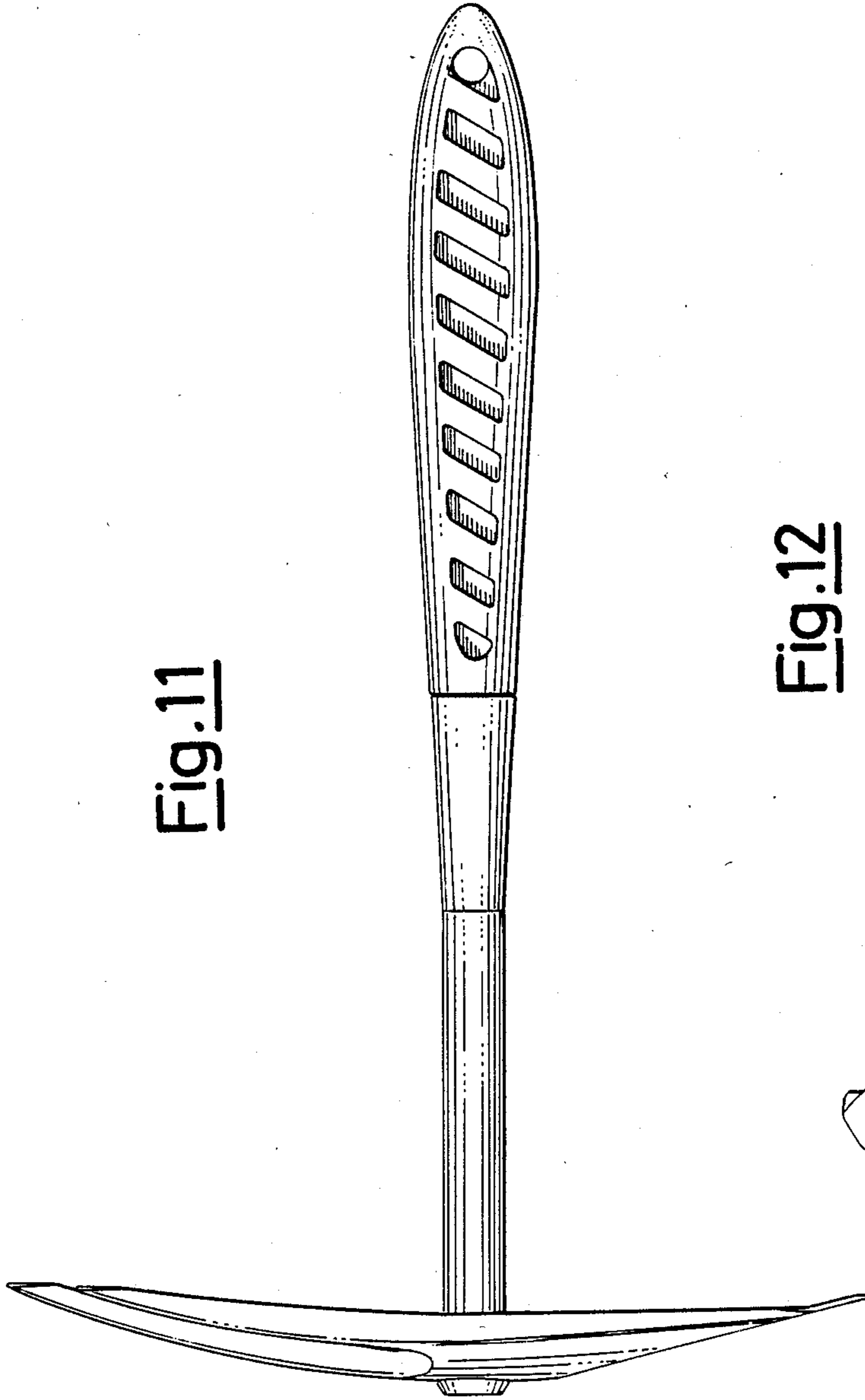
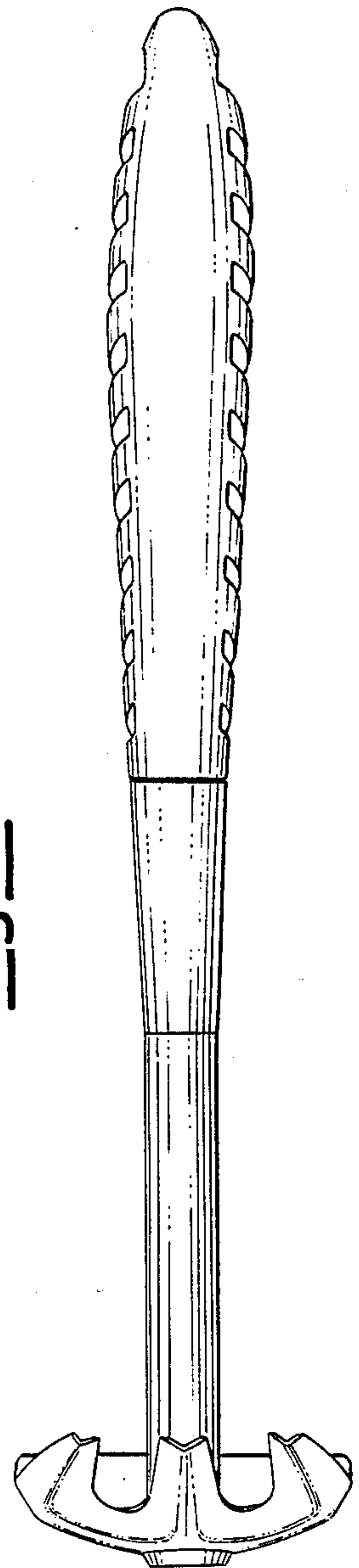


Fig. 12



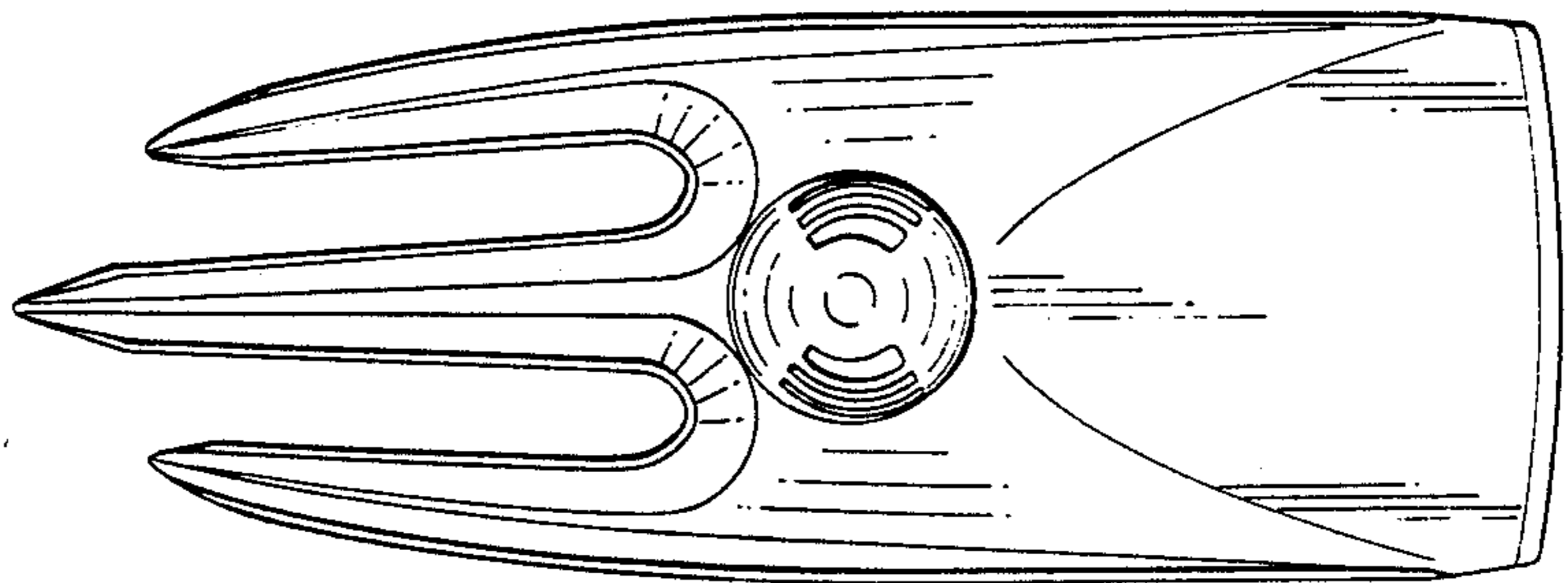
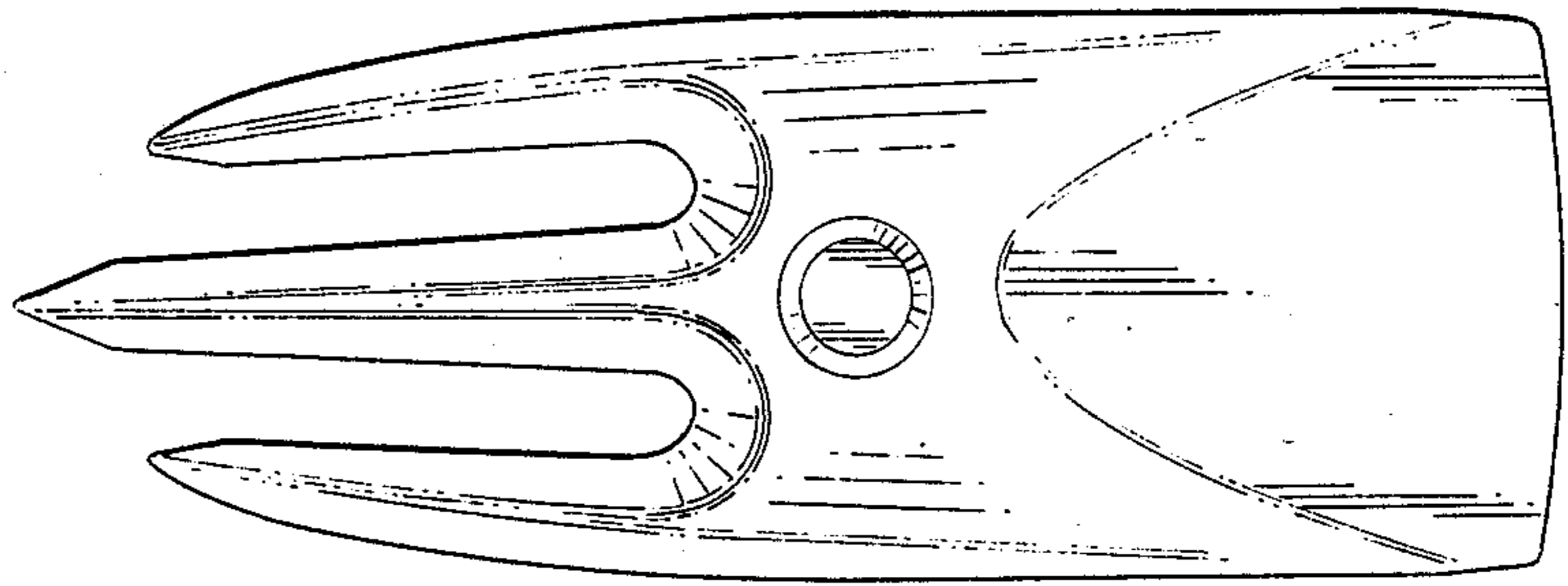
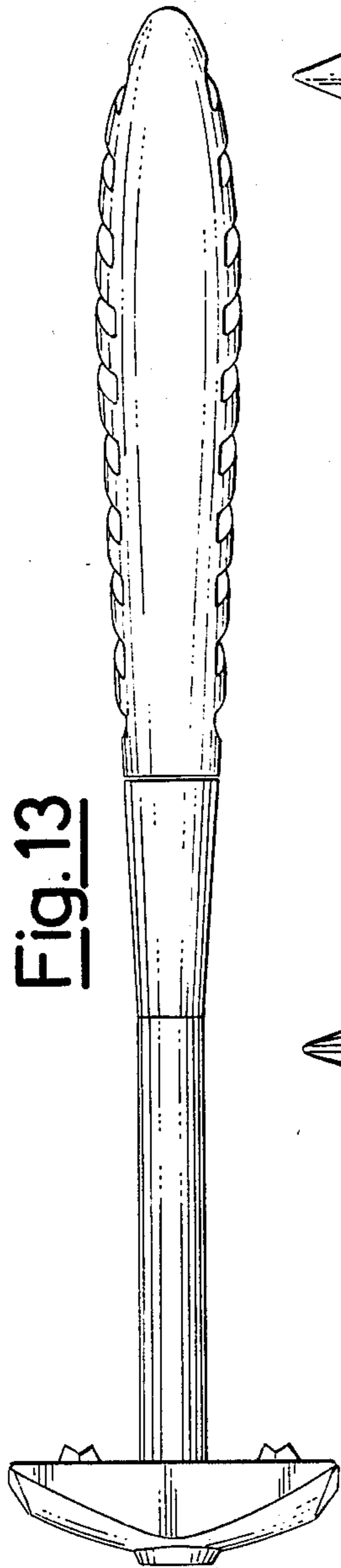


Fig. 16

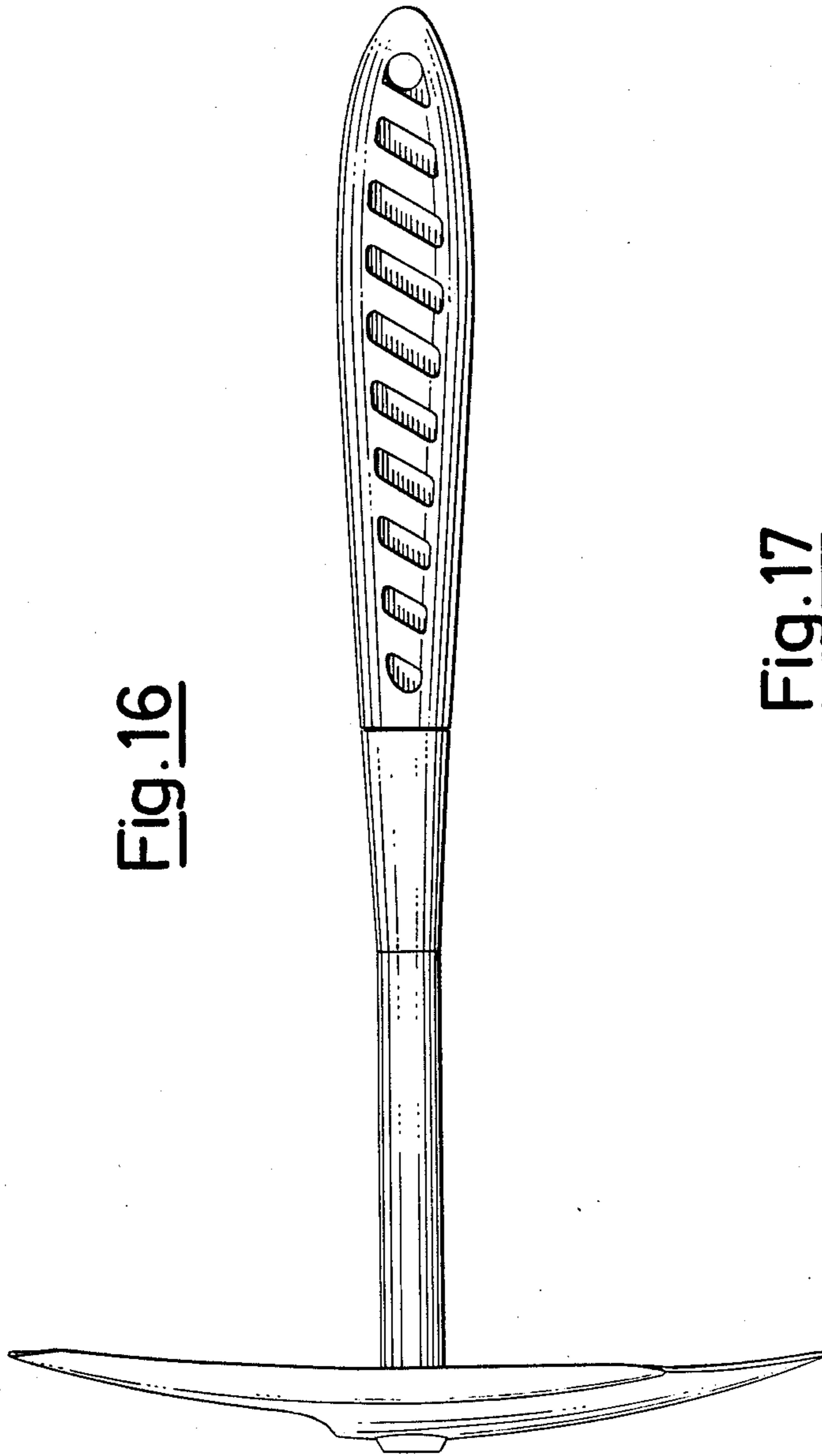
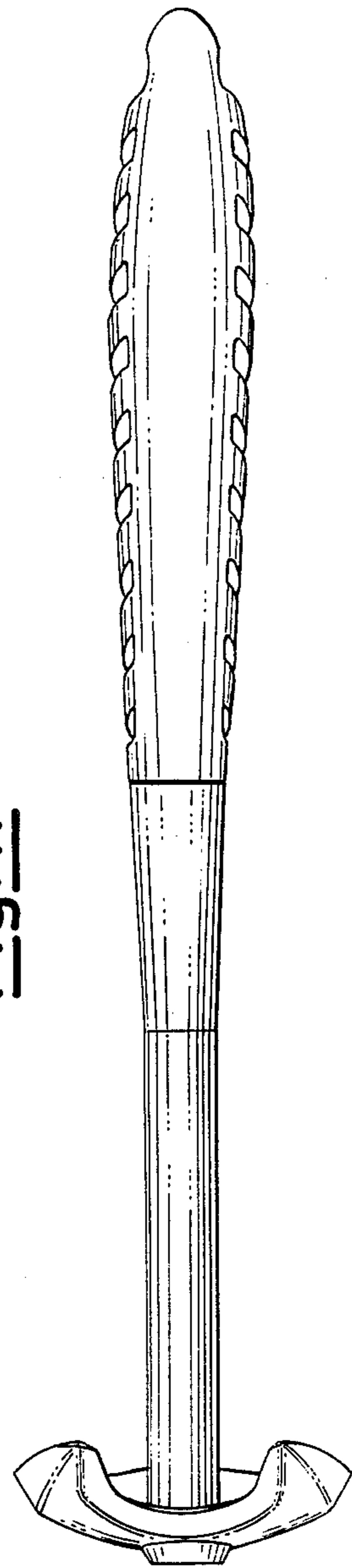


Fig. 17



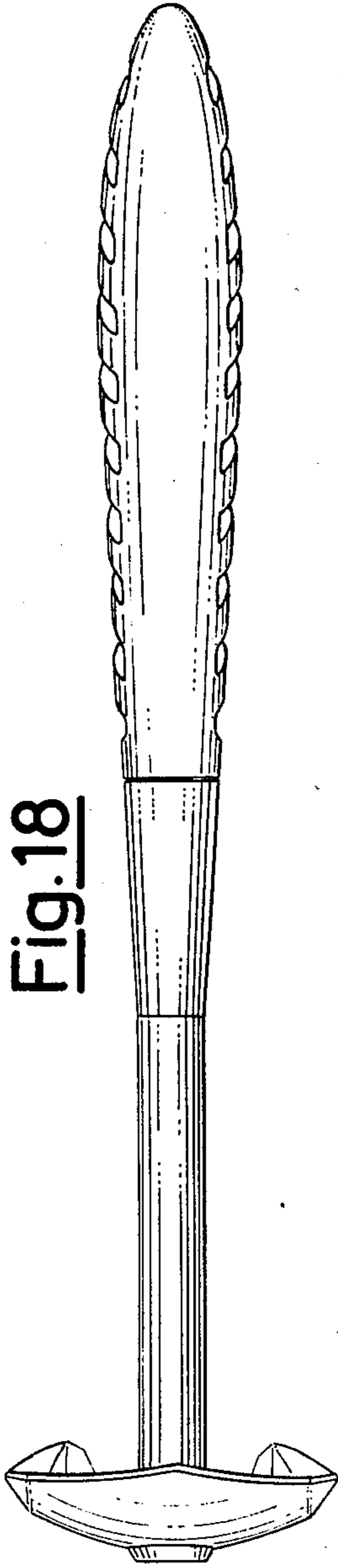


Fig. 18

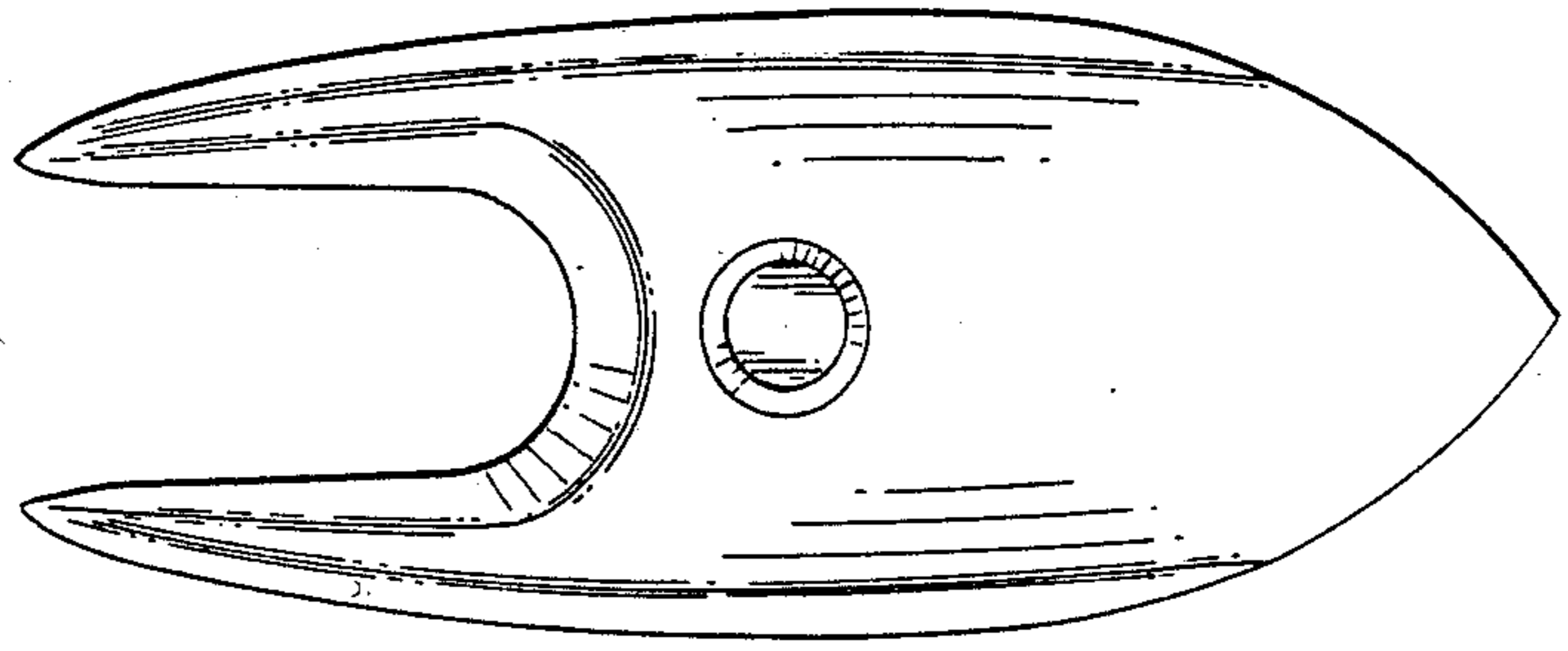


Fig. 19

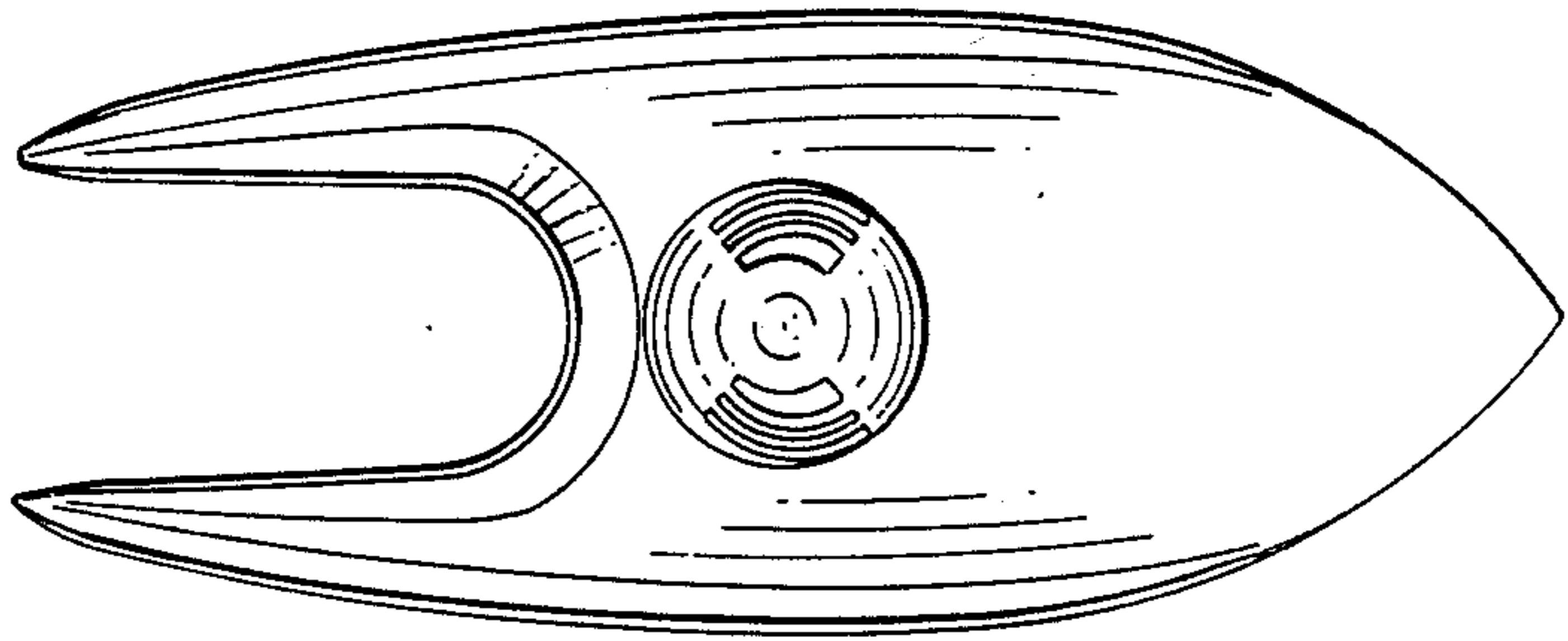


Fig. 20

Fig. 21

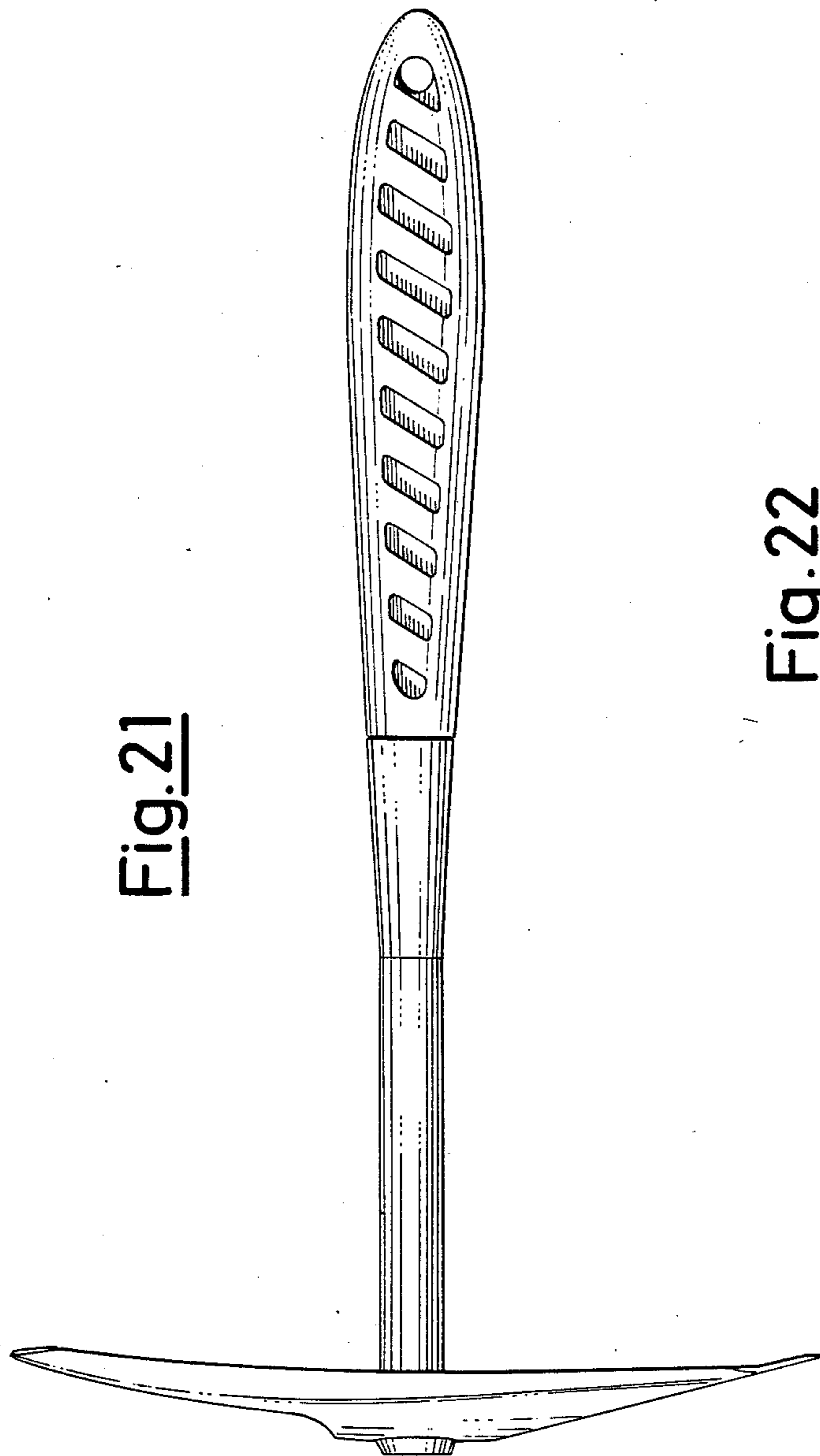
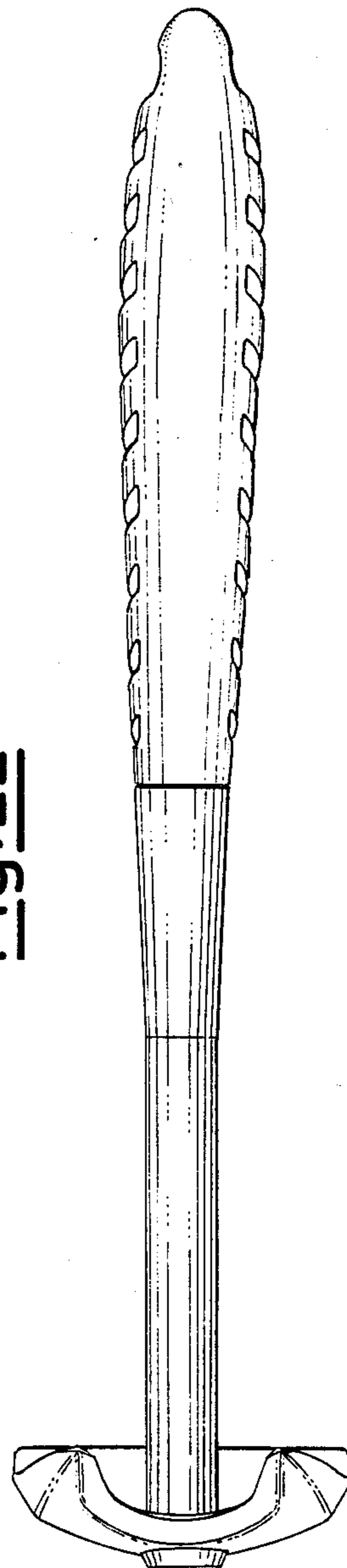


Fig. 22



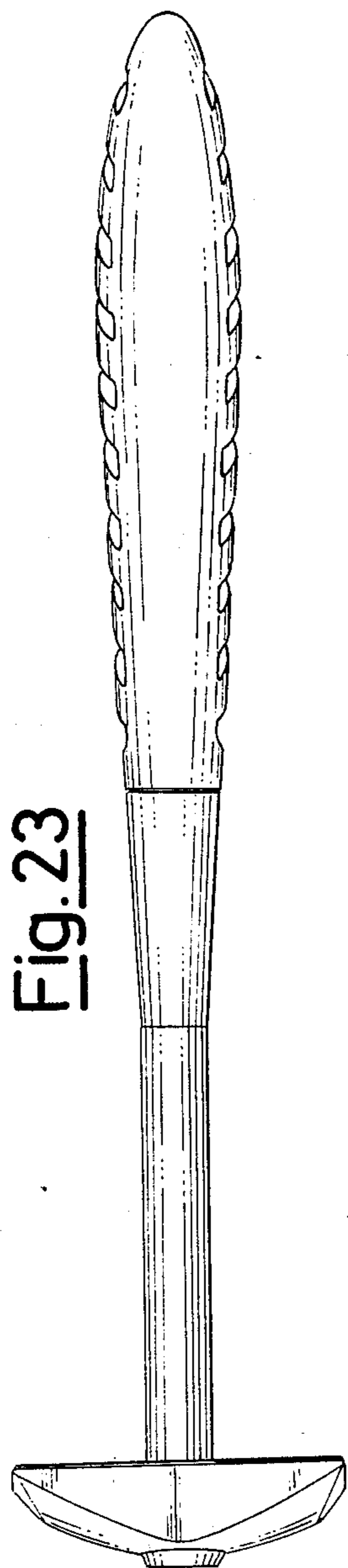


Fig. 23

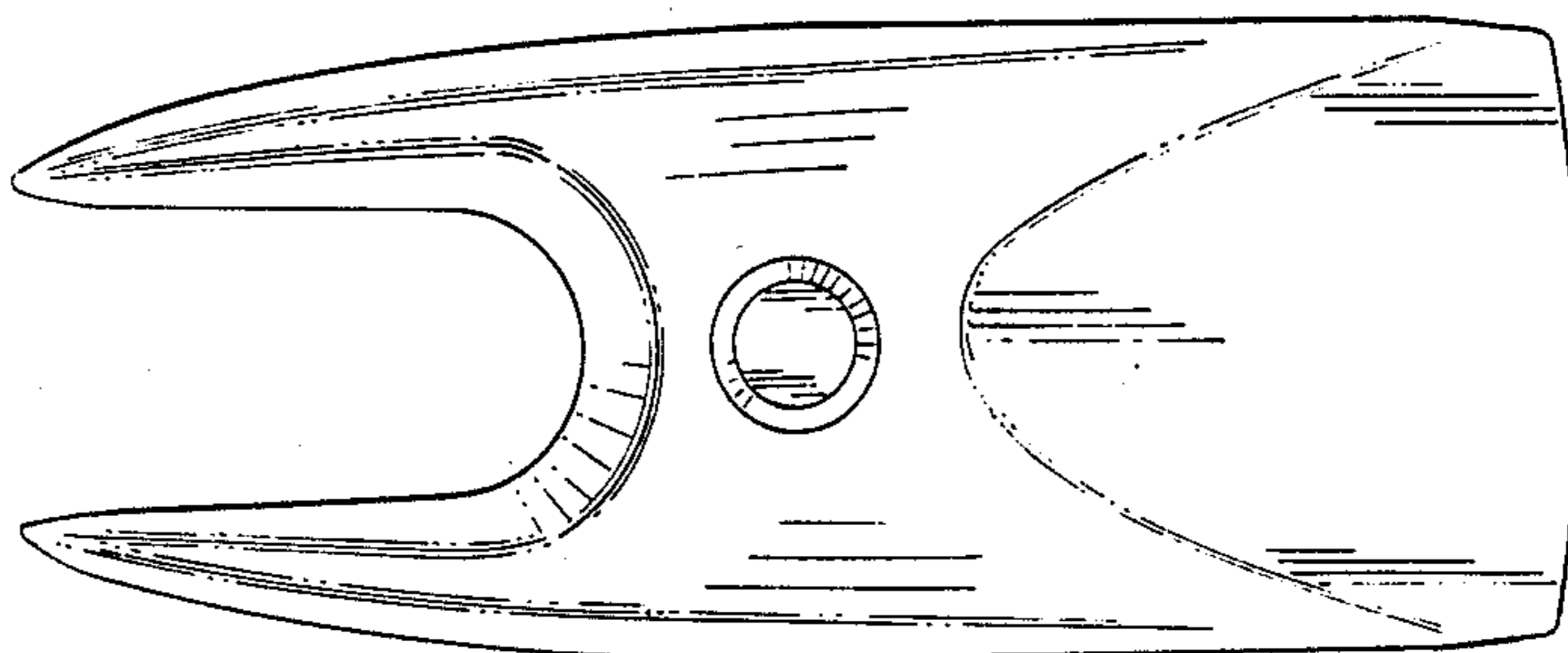


Fig. 24

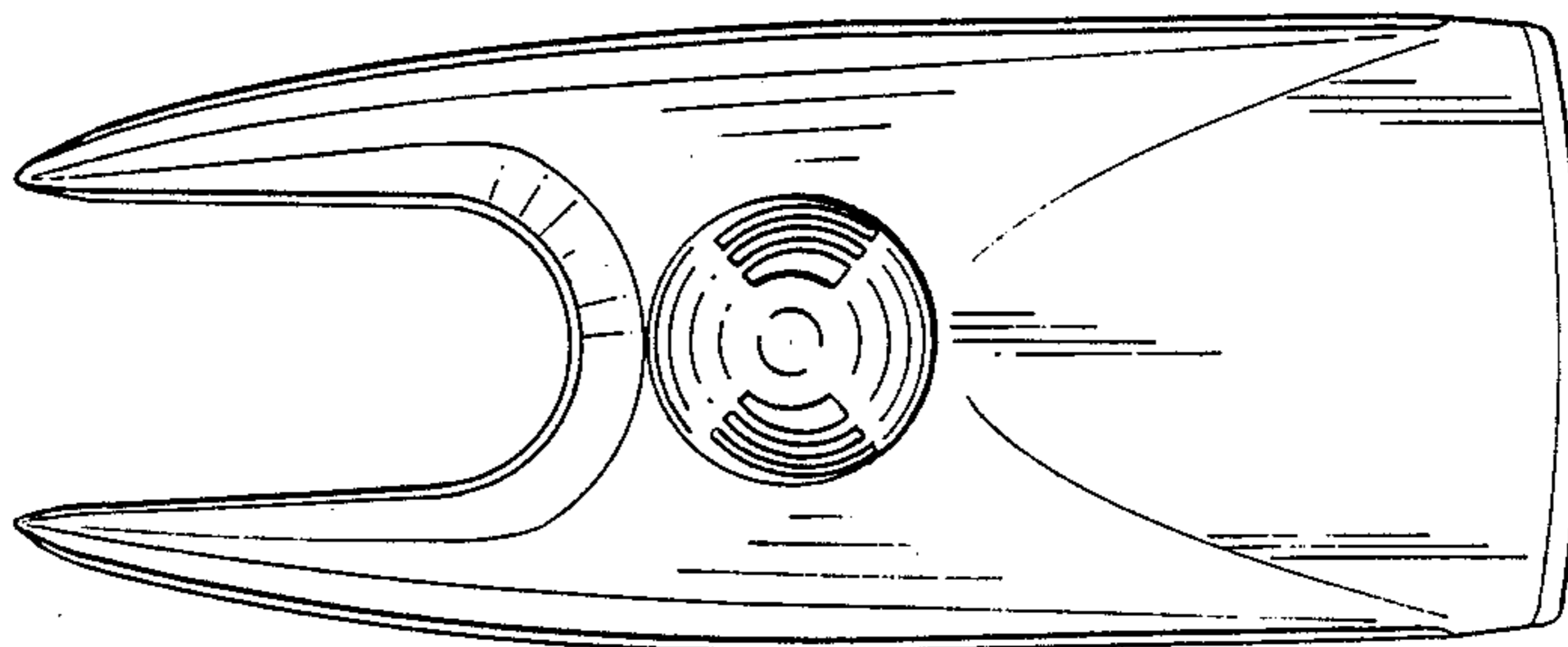


Fig. 25