

[54] HEDGE TRIMMER

[75] Inventor: Franco Clivio, Zürich, Switzerland

[73] Assignee: Gardena Kress & Kastner GmbH, Fed. Rep. of Germany

[\*\*] Term: 14 Years

[21] Appl. No.: 1,998

[22] Filed: Jan. 9, 1987

[30] Foreign Application Priority Data

Jul. 15, 1986 [DE] Fed. Rep. of Germany ..... 1113GRAII2610/

[52] U.S. Cl. .... D8/8

[58] Field of Search ..... D8/1, 7-9; 56/233-237; 30/194, 208-210, 228, 223-224

[56] References Cited

U.S. PATENT DOCUMENTS

- D. 209,222 11/1967 Batson ..... D8/8
- D. 225,296 12/1972 Boldt ..... D8/8
- D. 226,420 3/1973 Bartasevich, Jr. .... D8/8

- D. 285,894 9/1986 Kawakani et al. .... D8/8
- 3,293,746 3/1966 Maxson ..... 30/223

OTHER PUBLICATIONS

Black & Decker "Garten Programm" (1987) Pamphlet.  
Metabo "Gratengerate" (Dec. 1986) Pamphlet.  
Freund "Garten-Profi" (No Date) Pamphlet.

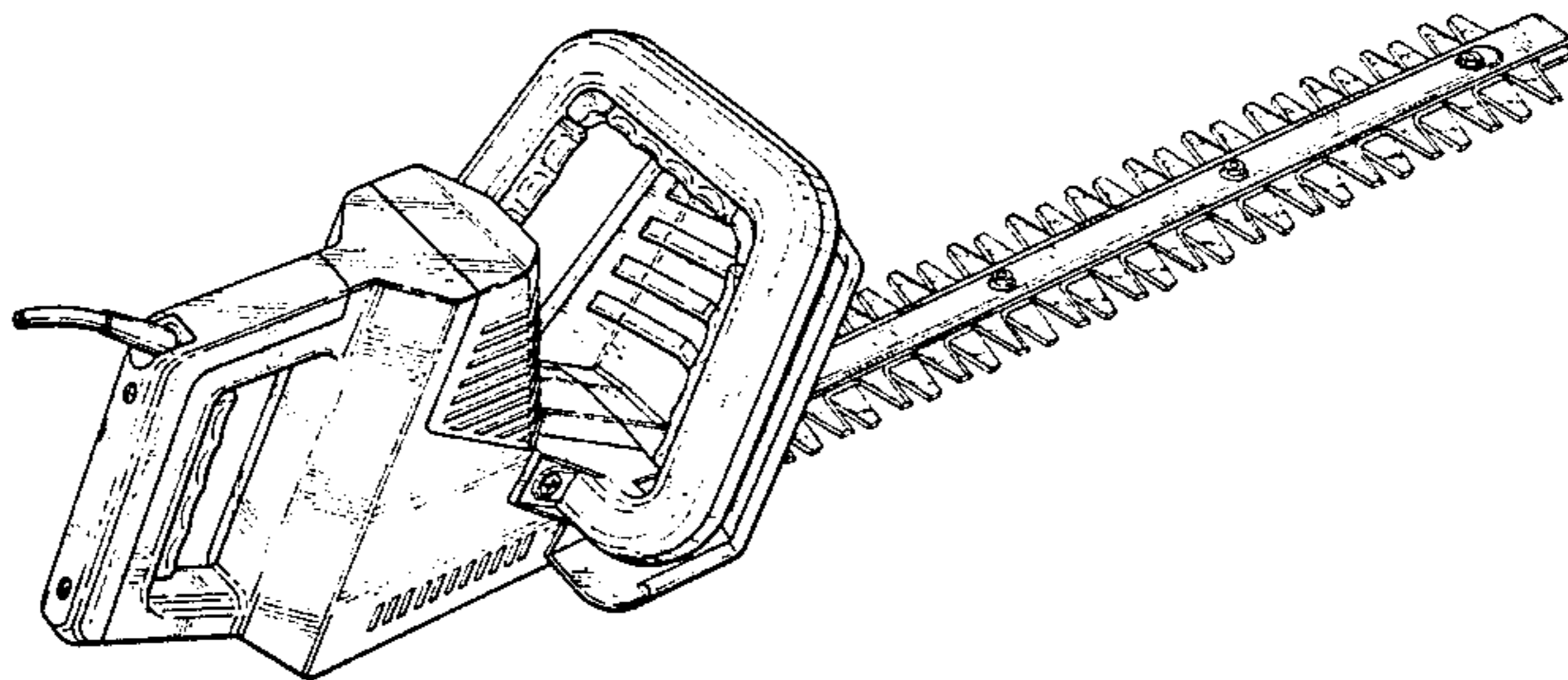
Primary Examiner—Wallace R. Burke  
Assistant Examiner—Brian N. Vinson  
Attorney, Agent, or Firm—Steele, Gould & Fried

[57] CLAIM

The ornamental design for a hedge trimmer, as shown and described.

DESCRIPTION

FIG. 1 is a top and rear perspective view of a hedge trimmer showing my new design;  
FIG. 2 is a side elevational view thereof, the opposite side being a mirror image of that shown;  
FIG. 3 is a top plan view thereof;  
FIG. 4 is a front end elevational view thereof;  
FIG. 5 is a bottom plan view thereof; and  
FIG. 6 is a rear elevational view thereof.



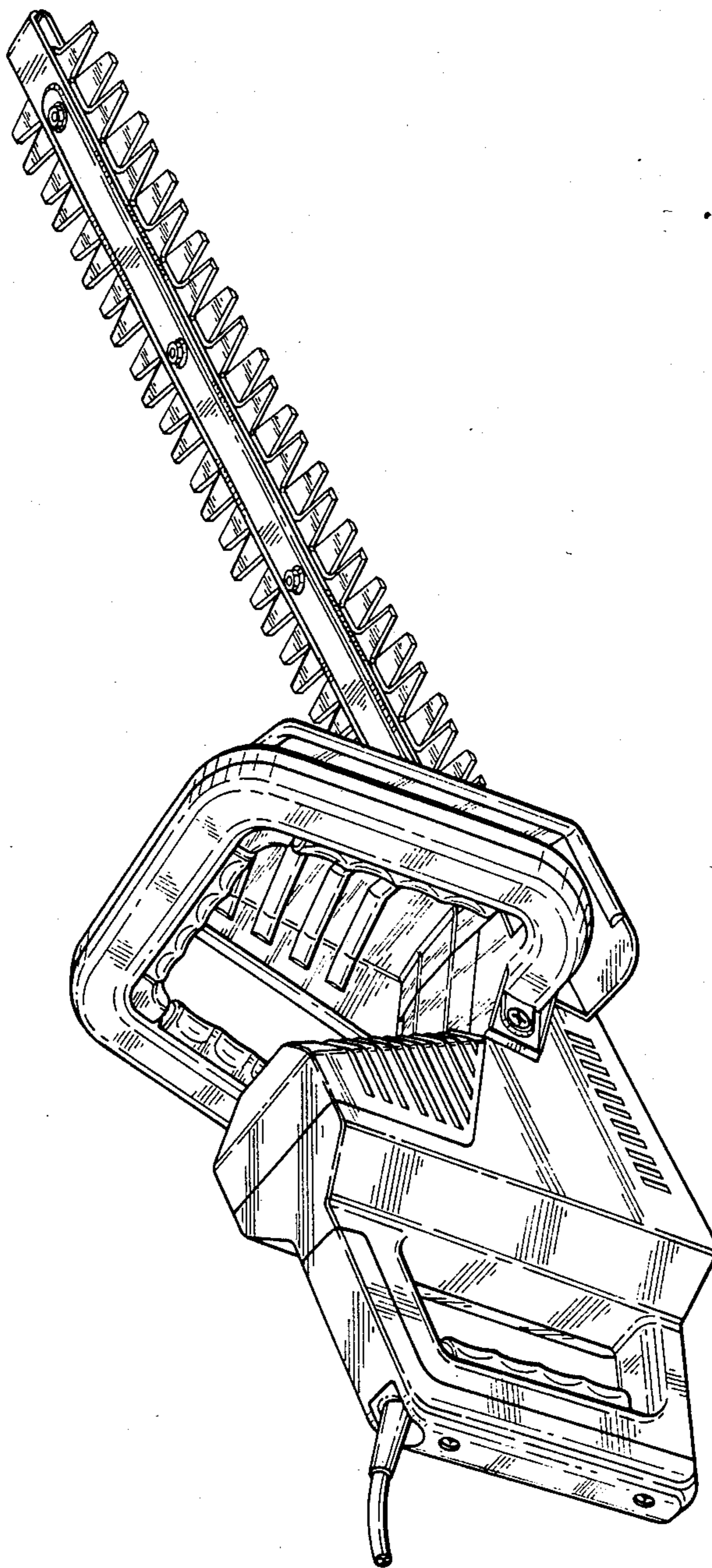


FIG. 1

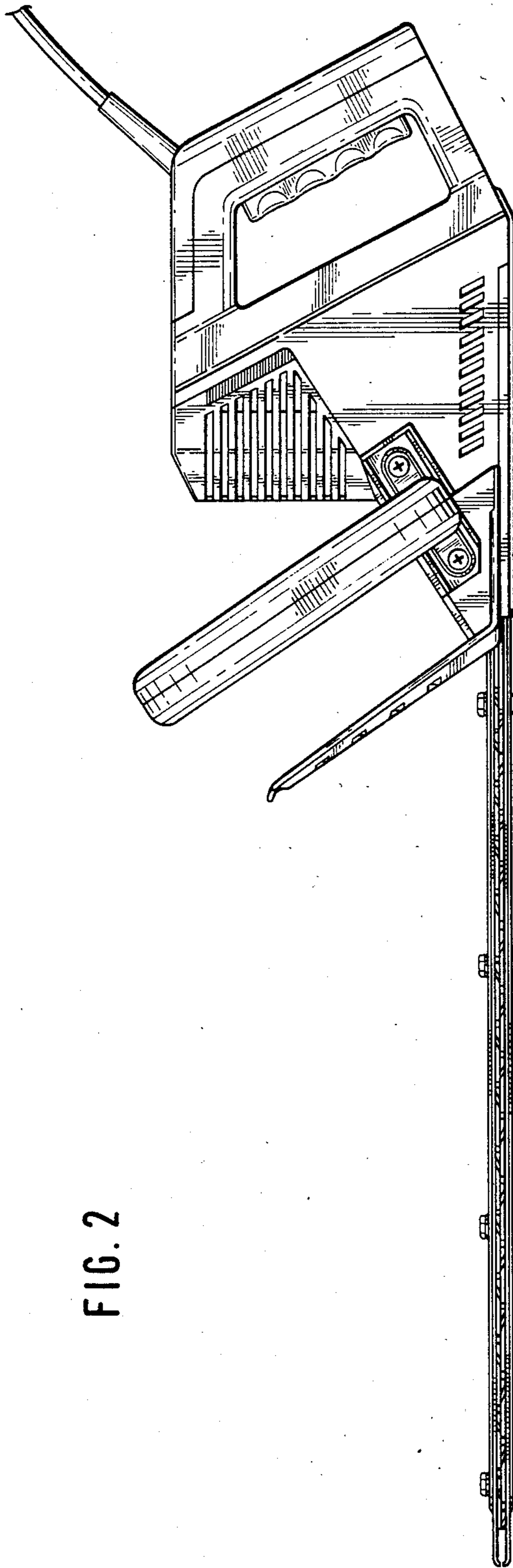


FIG. 2



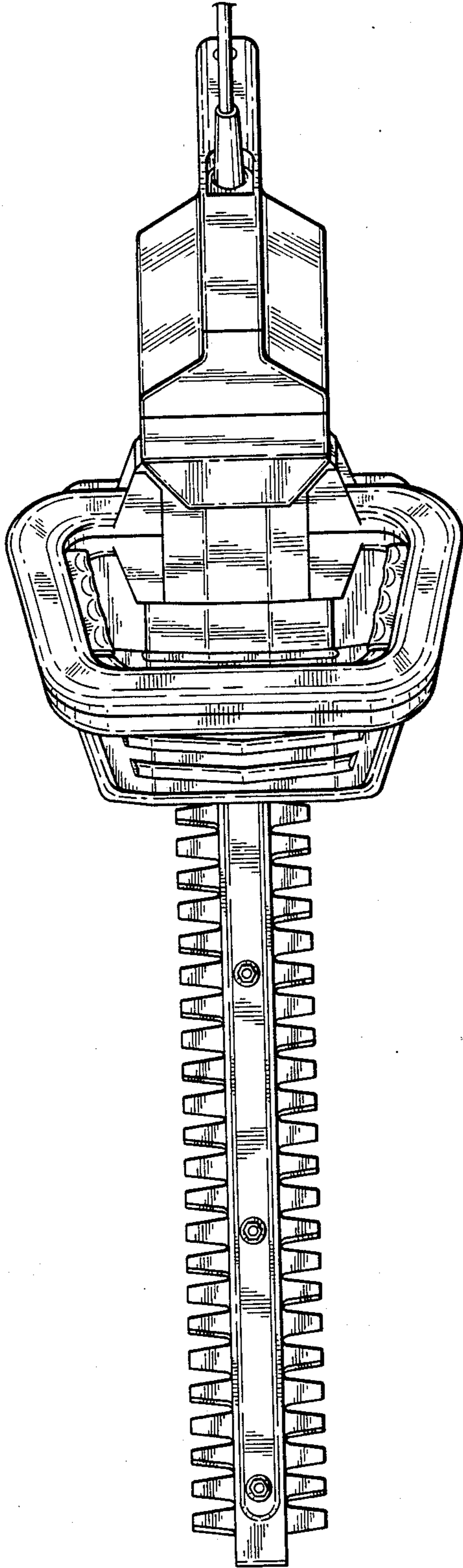


FIG. 3

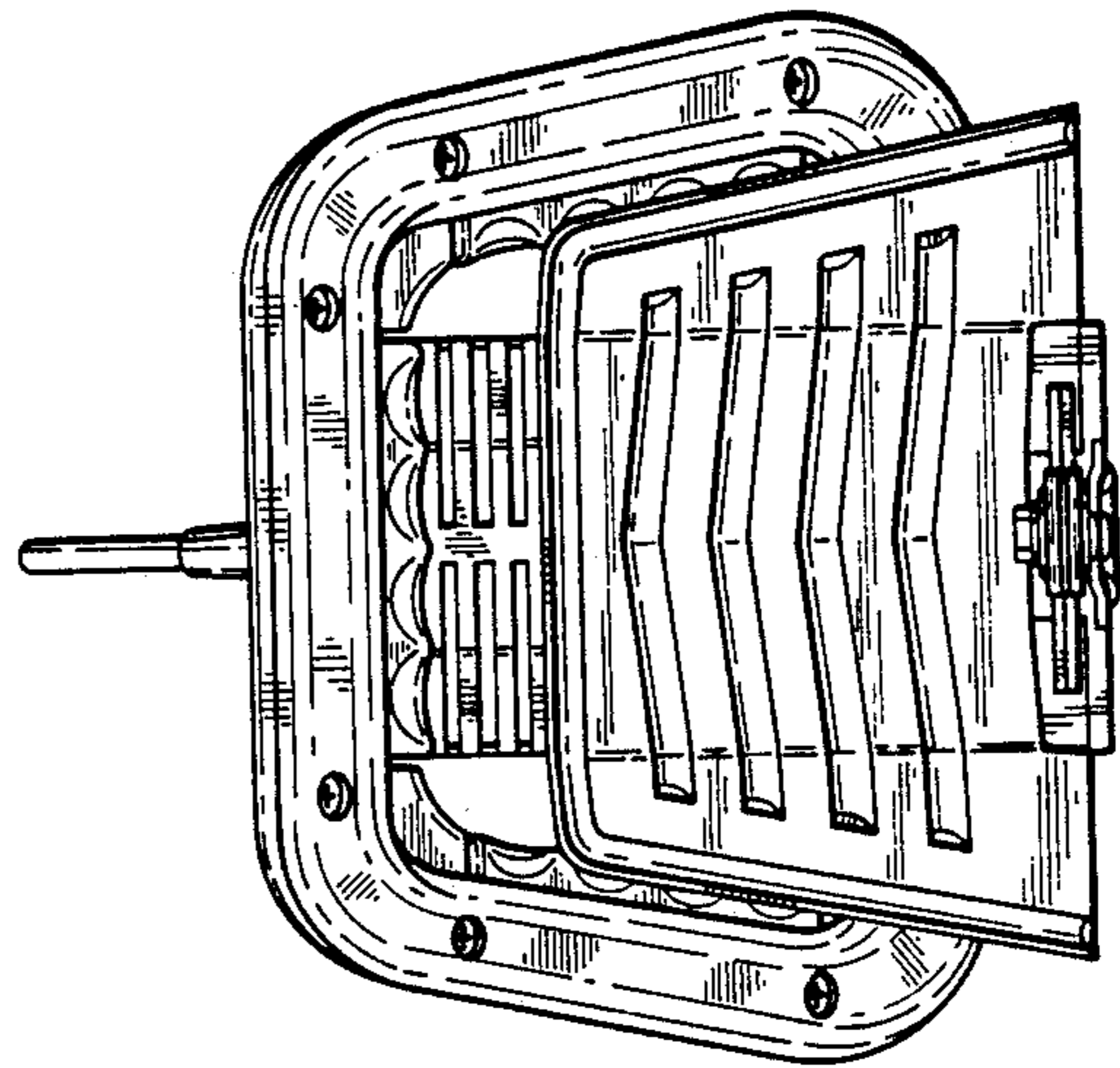


FIG. 4

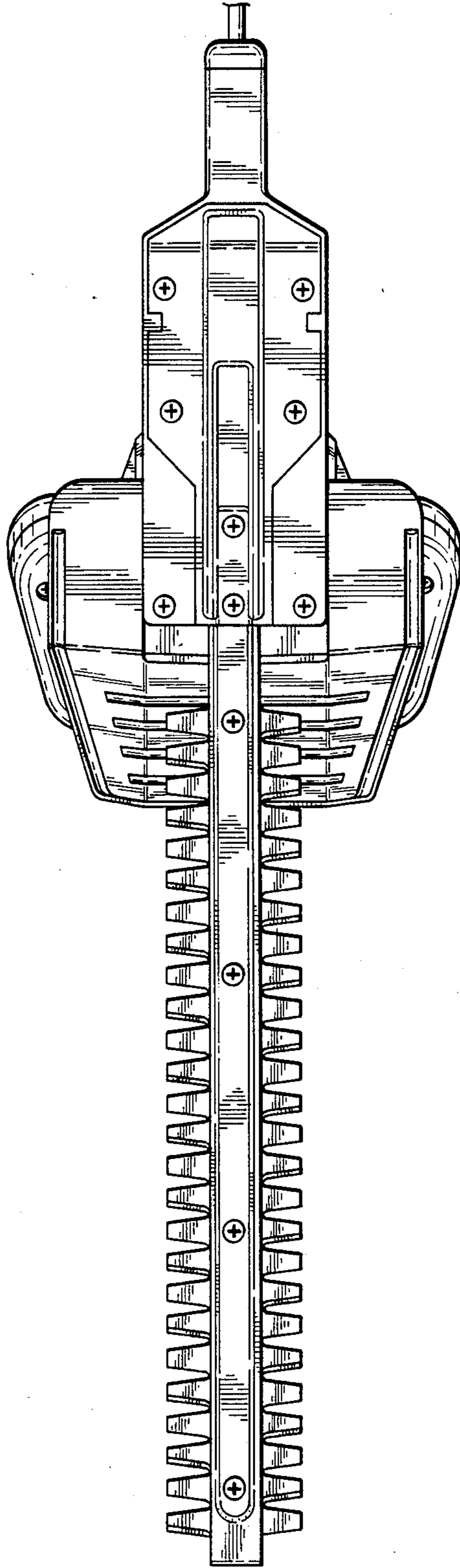


FIG. 5

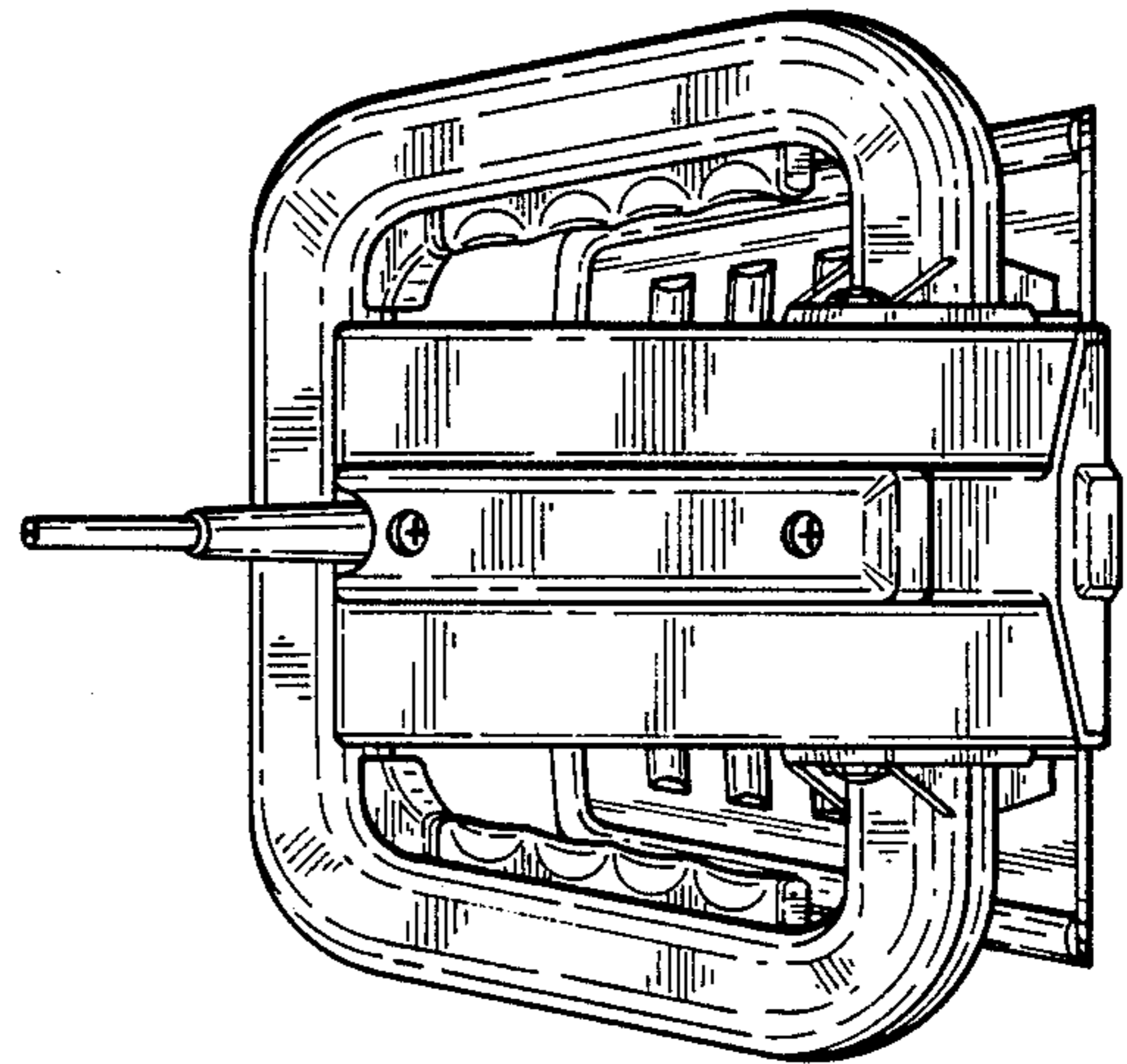


FIG. 6