

United States Patent [19]

Belokin et al.

[11] Patent Number: **Des. 307,094**

[45] Date of Patent: **** Apr. 10, 1990**

[54] **PIZZA CUTTER**

[76] Inventors: **Martin P. Belokin; Norman P. Belokin**, both of 7801 I-35N and Milam Rd., Denton, Tex. 76201

[**] Term: **14 Years**

[21] Appl. No.: **931,634**

[22] Filed: **Nov. 17, 1986**

[52] U.S. Cl. **D7/694; D7/696**

[58] Field of Search **D7/99, 106; 30/299, 30/303, 306-307, 312, 319, 347, 388; 17/29; D21/191, 108**

[56] **References Cited**

U.S. PATENT DOCUMENTS

D. 223,170 3/1972 Camos D7/106 X

D. 245,140 7/1977 Benson D7/99
1,364,132 1/1921 Miller 17/29
1,855,663 4/1932 Bregman 30/306

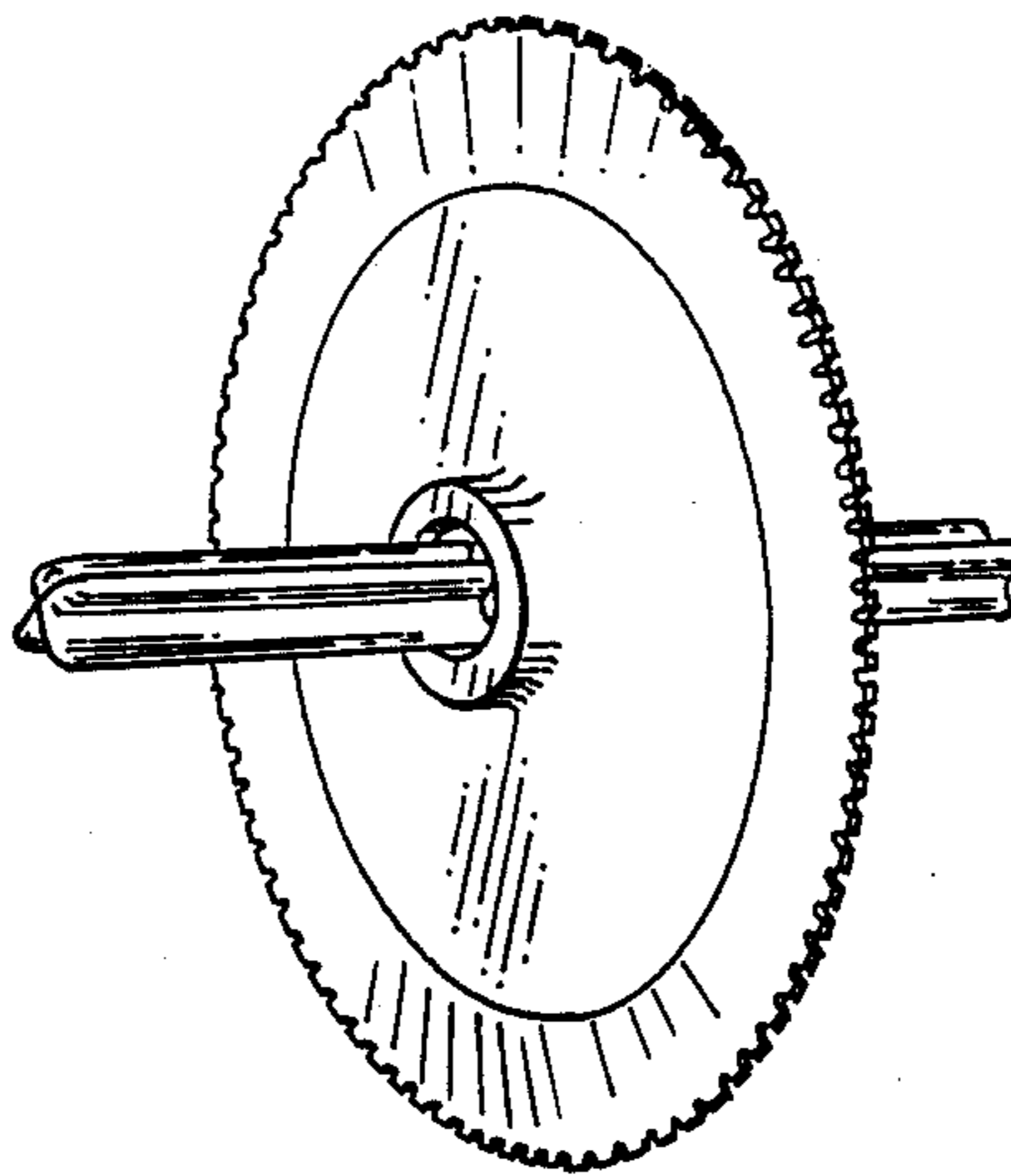
Primary Examiner—Bernard Ansher
Assistant Examiner—Terry A. Pfeffer
Attorney, Agent, or Firm—Wood, Dalton, Phillips, Mason & Rowe

[57] CLAIM

The ornamental design for a pizza cutter, as shown and described.

DESCRIPTION

FIG. 1 is a perspective view of a pizza cutter showing our design;
FIG. 2 is a front elevational view thereof;
FIG. 3 is a right side elevational view thereof; and
FIG. 4 is a left side elevational view thereof.



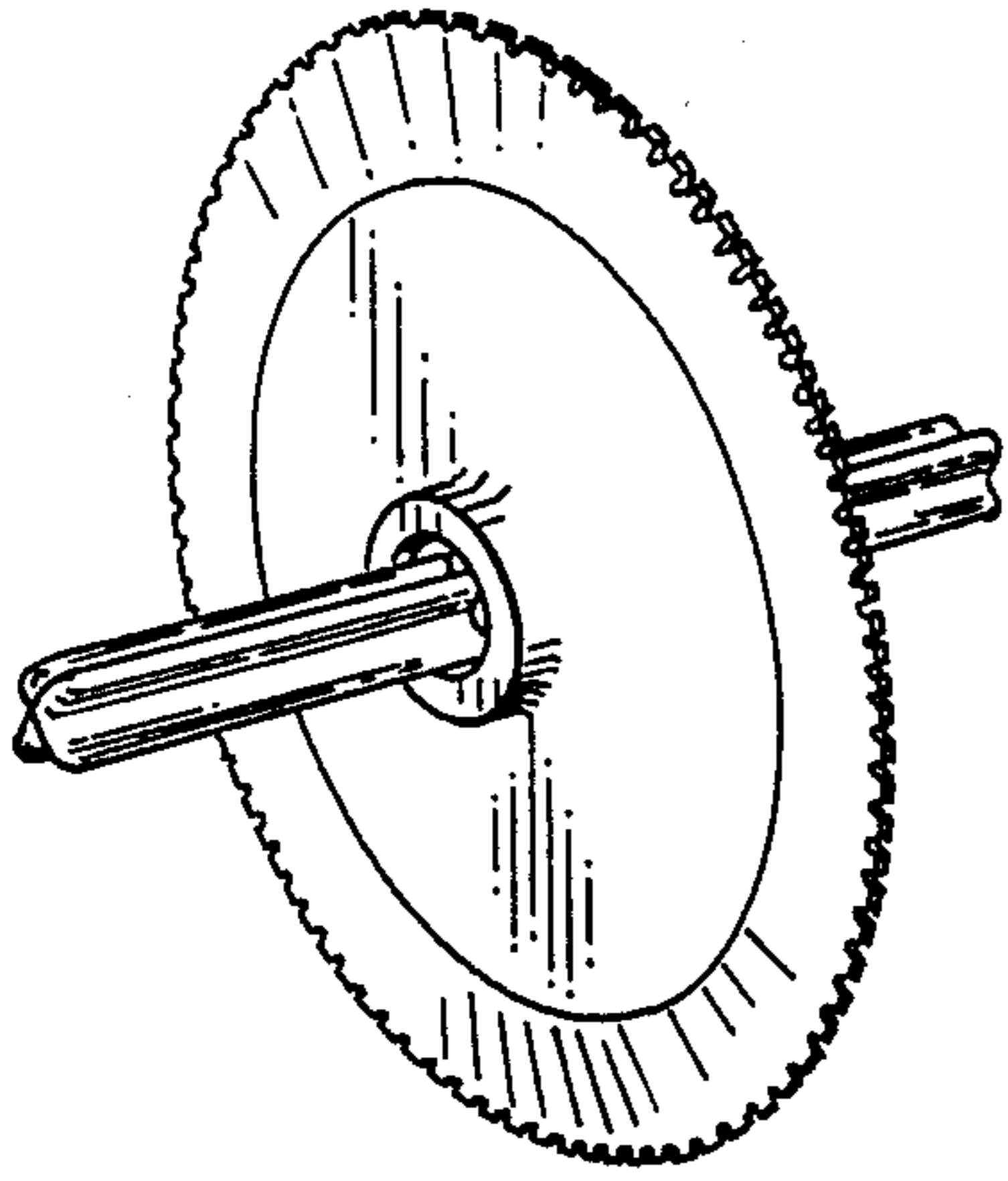


FIG. 1

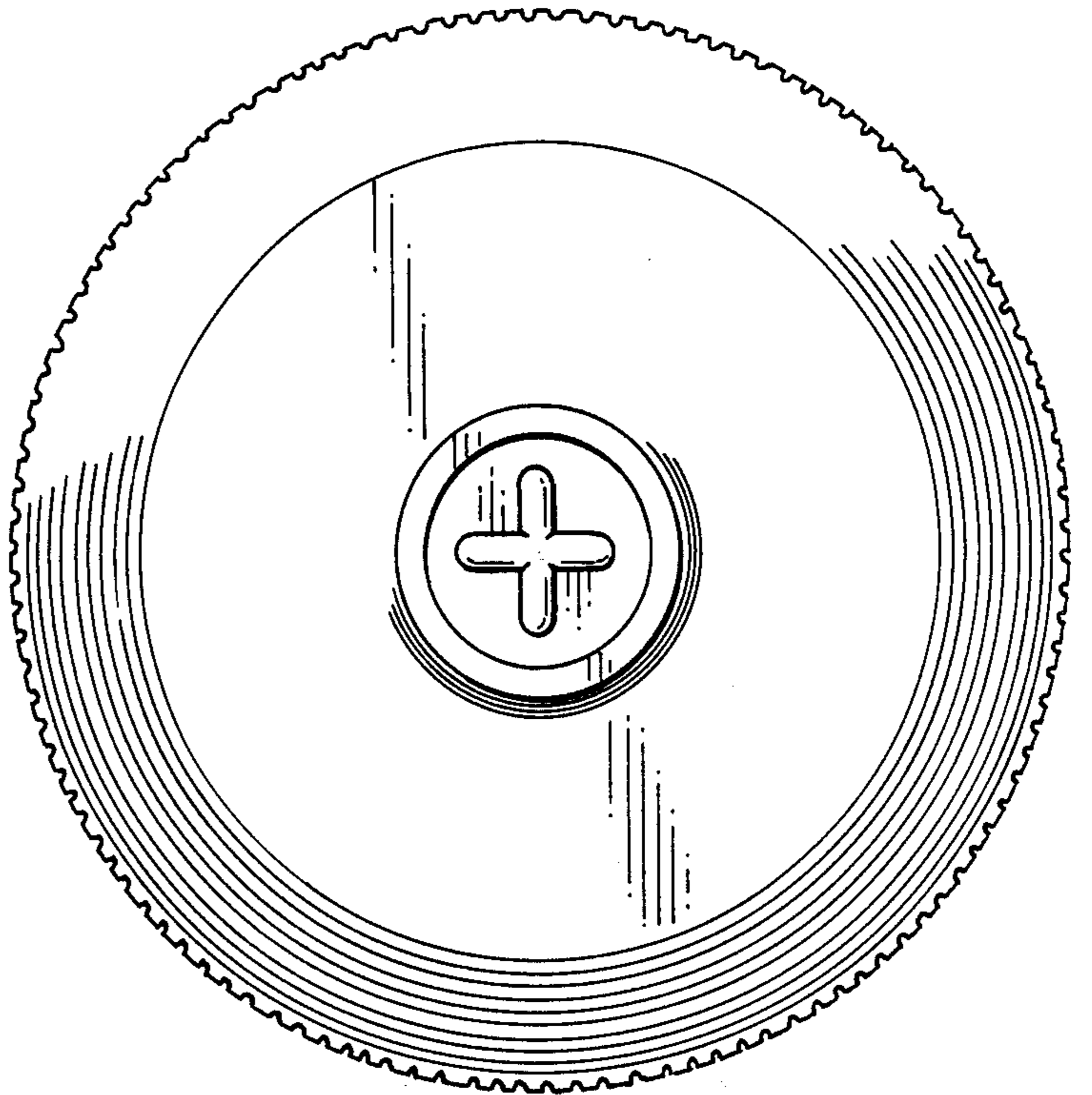


FIG. 3

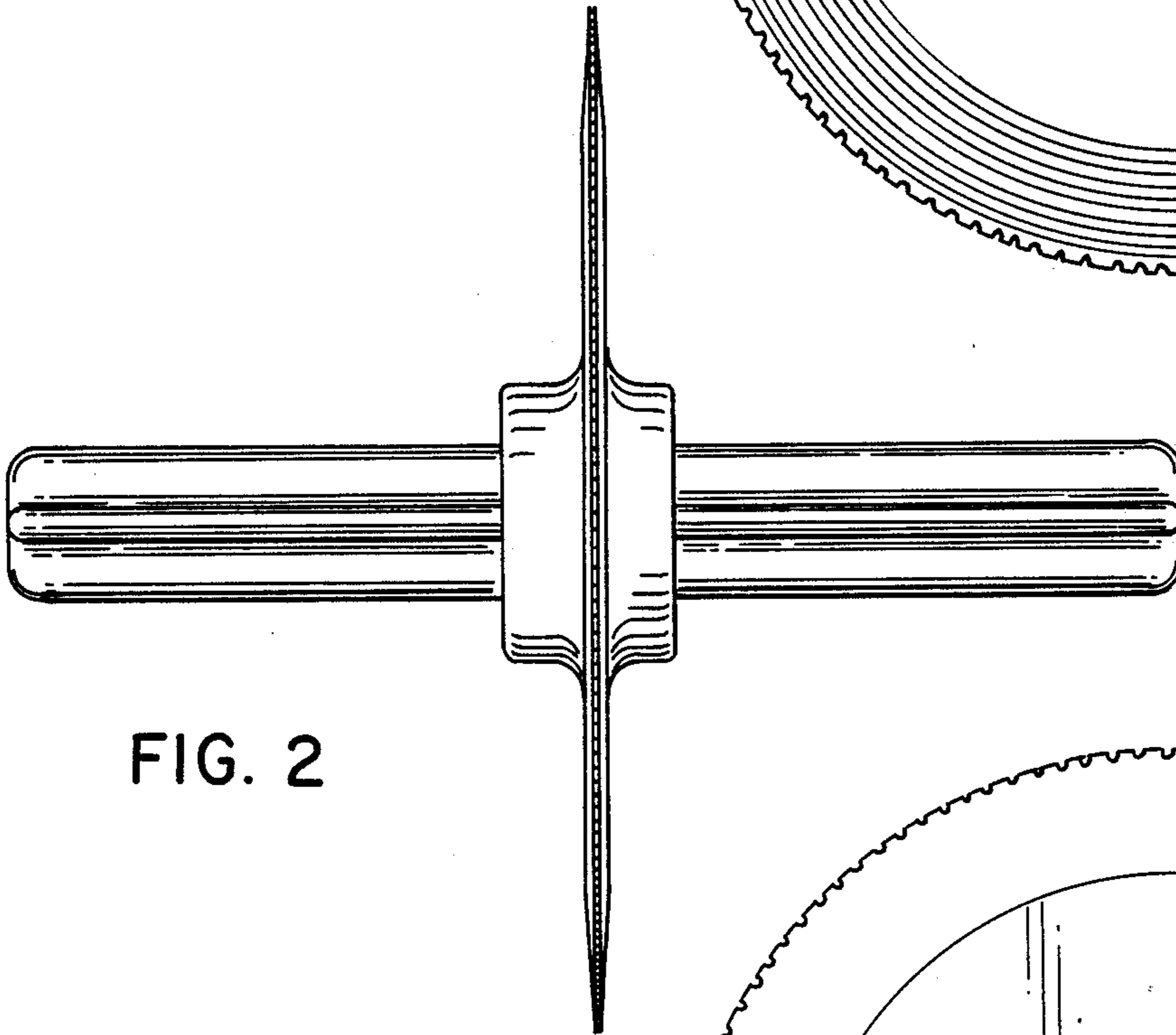


FIG. 2

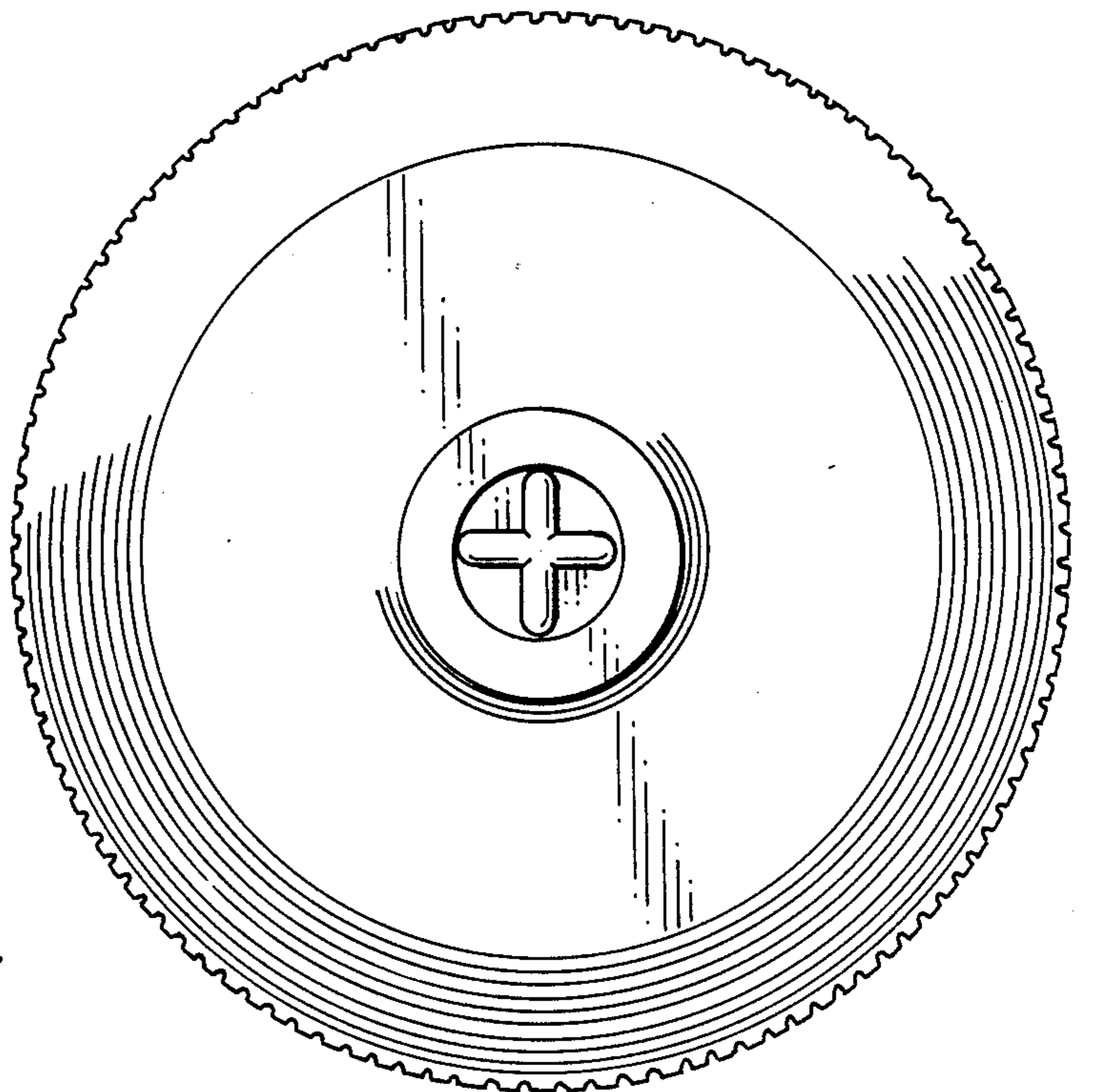


FIG. 4