

[54] **COMBINED ICE BOX AND UTENSIL CASE**

[75] **Inventor: Atsushi Ishimaru, Tsubame, Japan**

[73] **Assignee: Twinbird Industrial Company Limited, Japan**

[**] **Term: 14 Years**

[21] **Appl. No.: 124,774**

[22] **Filed: Nov. 24, 1987**

[52] **U.S. Cl. D7/605; D7/638**

[58] **Field of Search D7/76-77;
206/541, 223, 545, 549; 62/457.1, 457.7, 371;
190/12 R; 220/DIG. 10, 412**

[56] **References Cited**

U.S. PATENT DOCUMENTS

- D. 289,597 5/1987 Averitt D7/77
- 4,295,345 10/1981 Atkinson D7/77 X

Primary Examiner—Bernard Ansher
Assistant Examiner—Terry A. Pfeffer
Attorney, Agent, or Firm—Steele, Gould & Fried

[57] **CLAIM**

The ornamental design for combined ice box and utensil case, as shown and described.

DESCRIPTION

FIG. 1 is a top, front, right side perspective view of a combined ice box and utensil case showing my new design;

FIG. 2 is a front elevational view thereof;

FIG. 3 is a rear elevational view thereof;

FIG. 4 is a left side elevational view thereof;

FIG. 5 is a top plan view thereof;

FIG. 6 is a bottom plan view thereof; and

FIG. 7 is an exploded perspective view thereof in an open position.

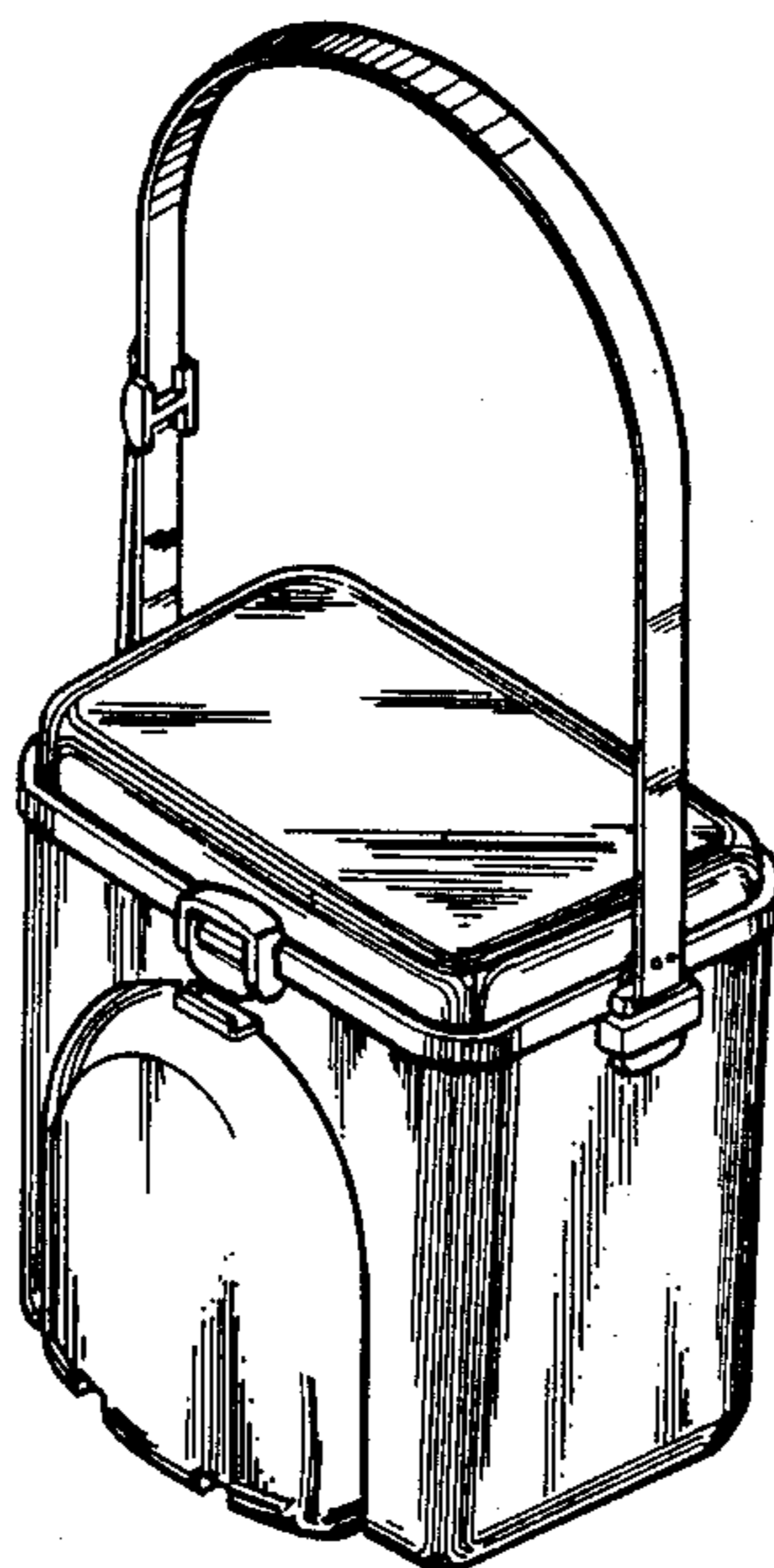


FIG. 1

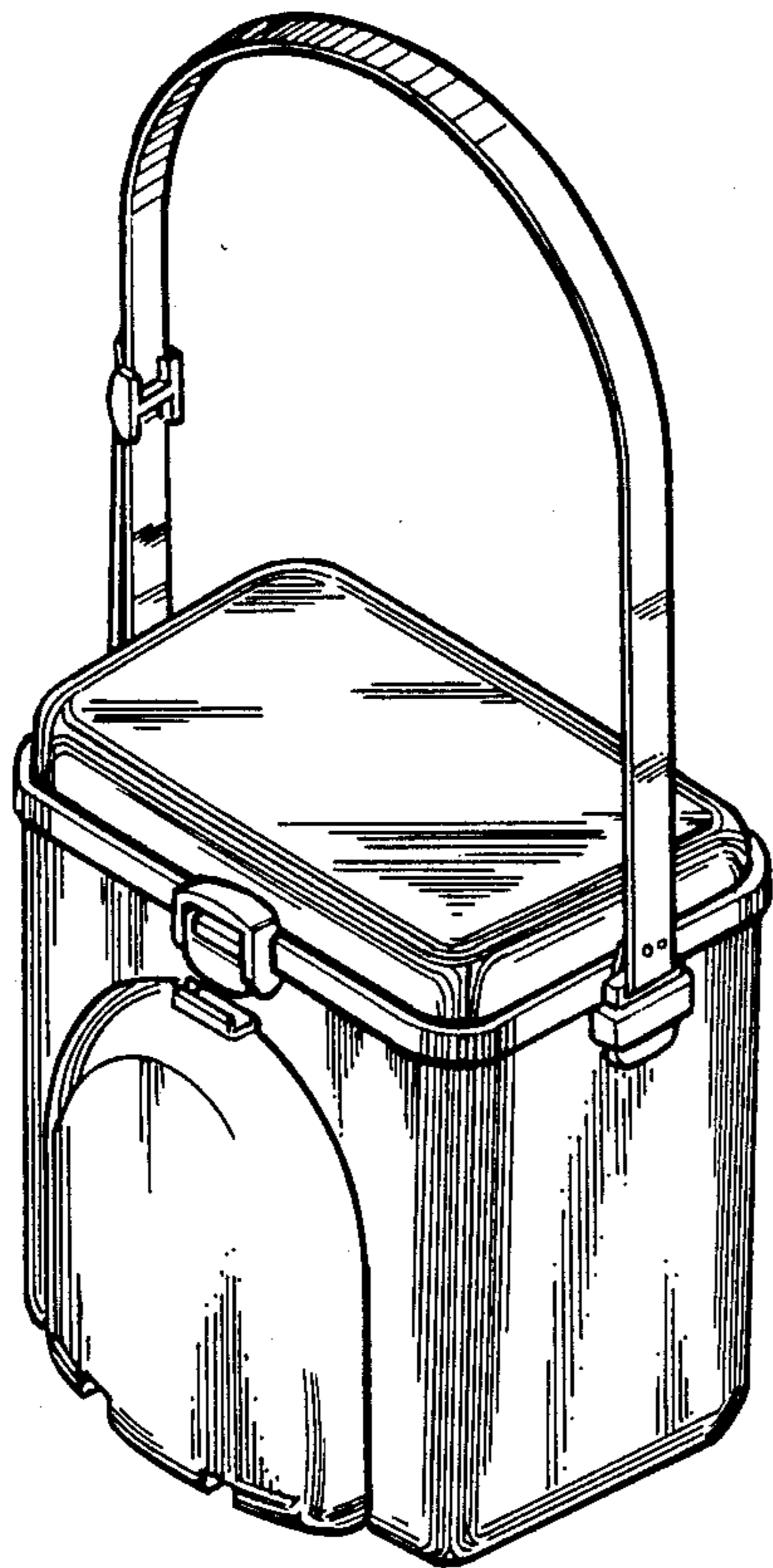


FIG. 2

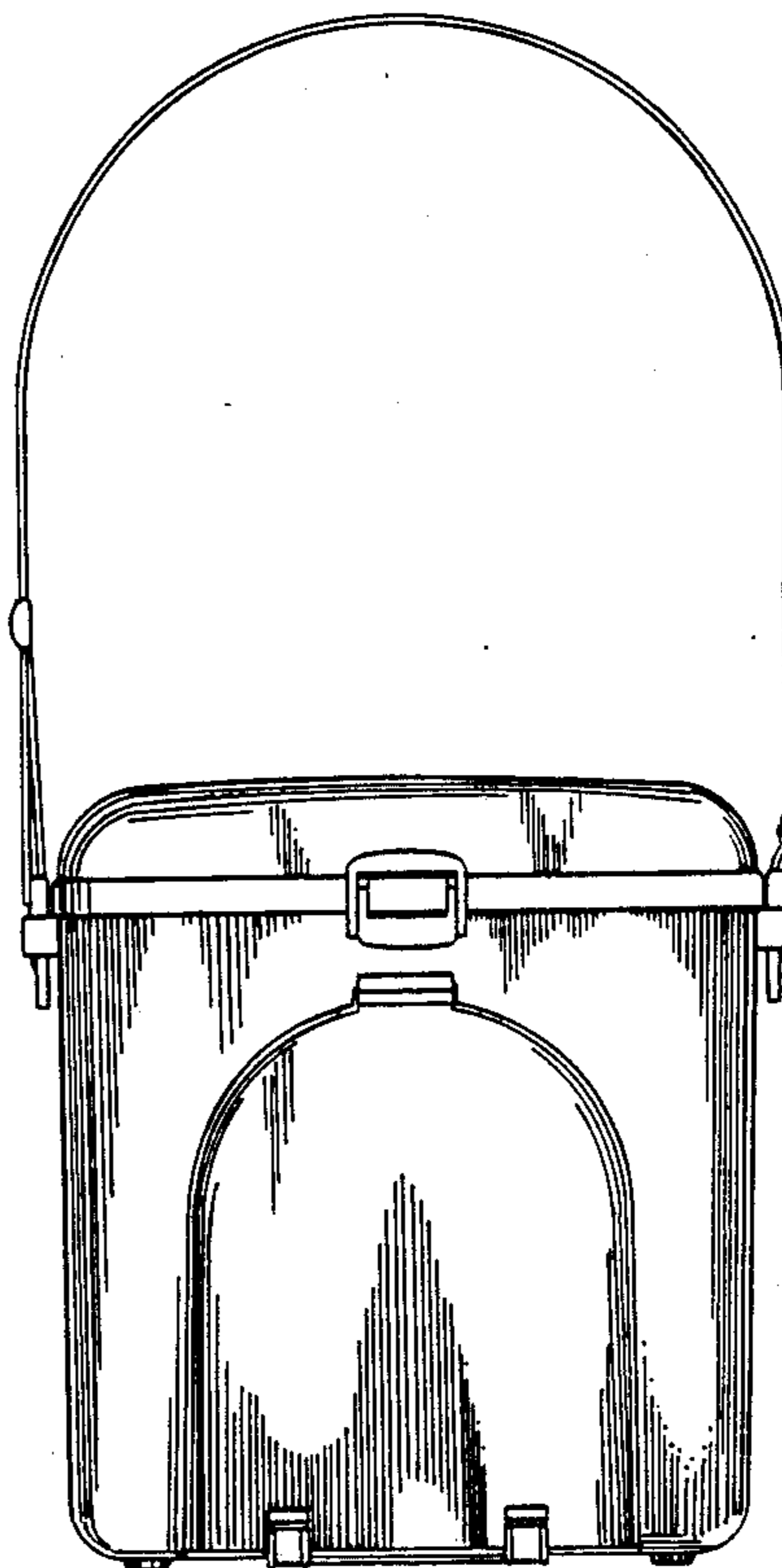


FIG. 3

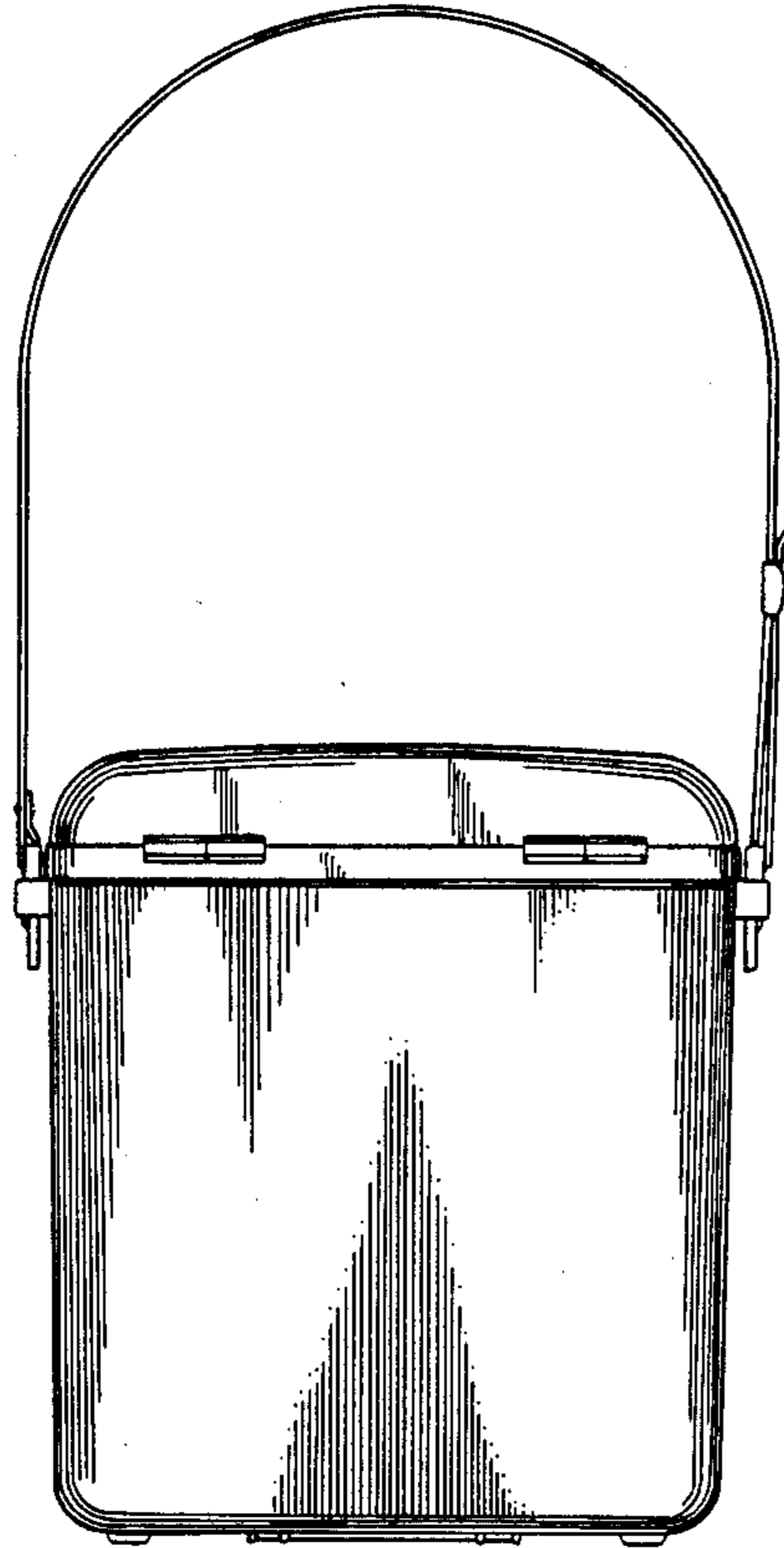


FIG. 4

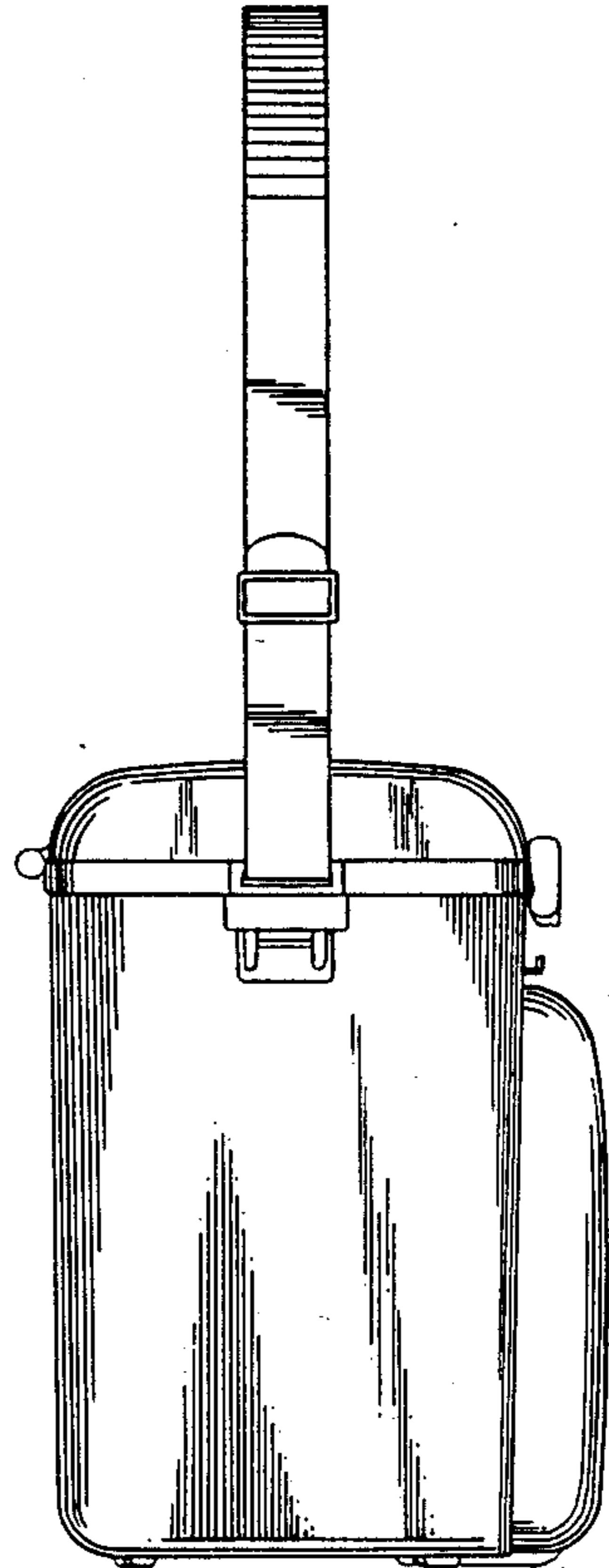


FIG. 5

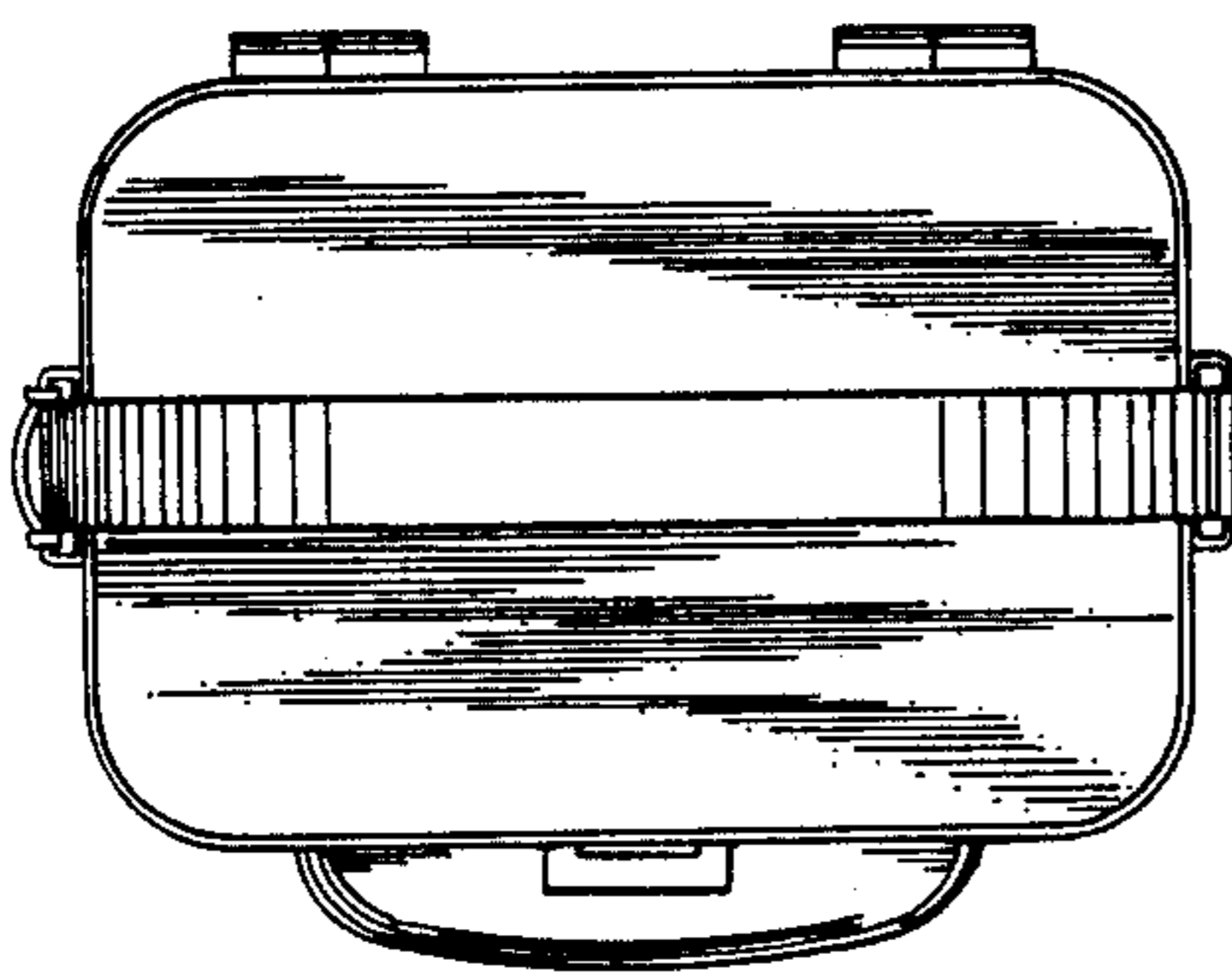


FIG. 6

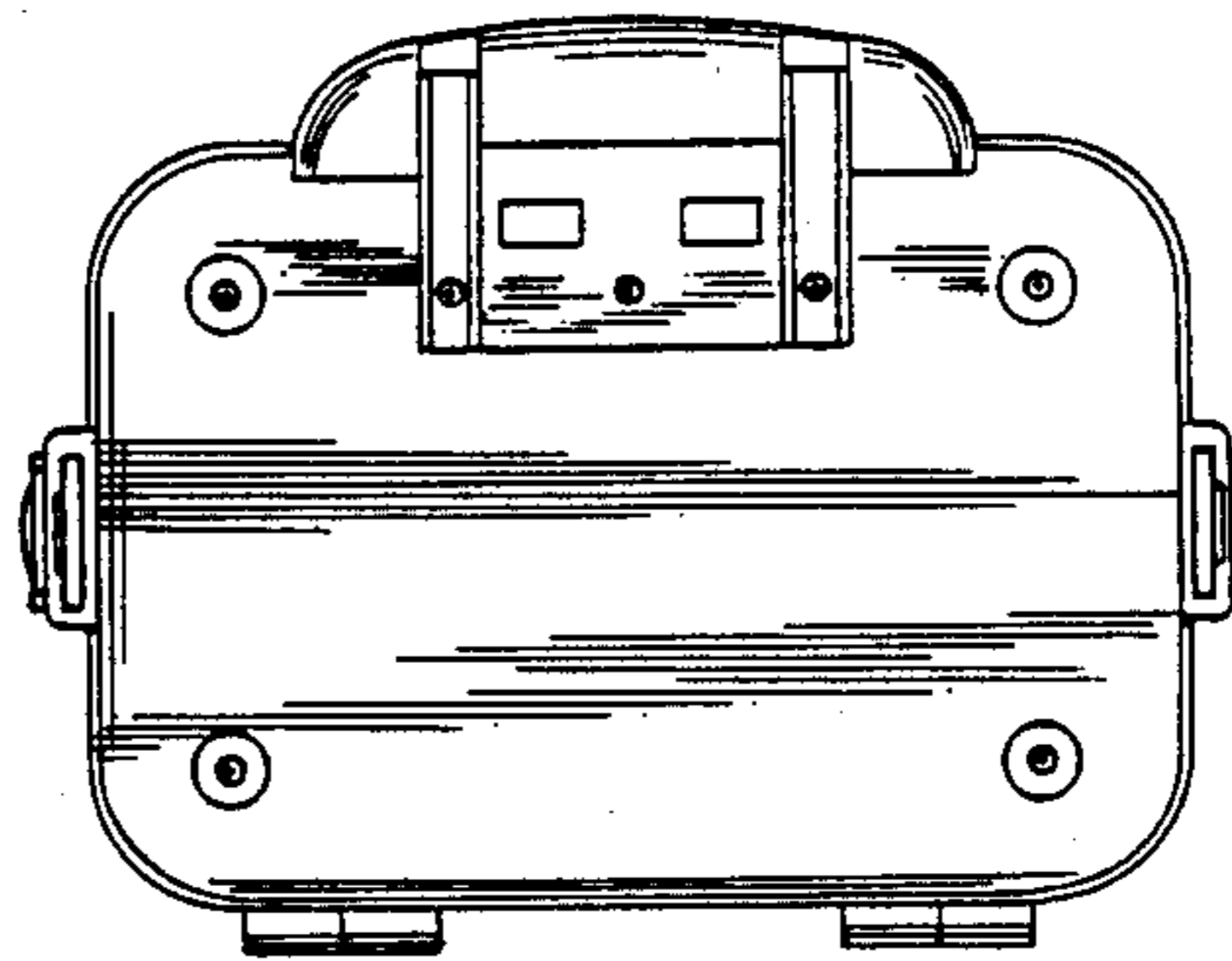


FIG. 7

