

[54] WALL MOUNTED MERCHANDISE DISPLAY STAND

[75] Inventor: Fred Frieden, Jr., Lombard, Ill.

[73] Assignee: The Sherwin-Williams Company, Cleveland, Ohio

[**] Term: 14 Years

[21] Appl. No.: 73,771

[22] Filed: Jul. 6, 1987

Related U.S. Application Data

[62] Division of Ser. No. 659,977, Oct. 12, 1984, Pat. No. D. 297,191.

[52] U.S. Cl. D6/570; D6/461; D6/469

[58] Field of Search D6/449, 455, 457, 458, D6/459, 460, 461, 470, 469, 555, 569, 570

[56] References Cited

U.S. PATENT DOCUMENTS

- D. 186,060 9/1959 Udesky et al. D6/461 X
- D. 189,535 1/1961 Rath, Jr. D6/469
- D. 199,942 12/1964 Tintary D6/461

- D. 207,191 3/1967 Kearns et al. D6/461 X
- D. 216,713 3/1970 Buchwach D6/469 X
- D. 234,381 2/1975 Berger D6/469
- D. 237,432 11/1975 Taub D6/461
- D. 285,029 8/1986 Cooper D6/461
- D. 294,668 3/1988 Handler et al. D6/570
- 2,685,757 8/1954 Mirigian D6/555 X

Primary Examiner—Carmen H. Vales-Lado
Attorney, Agent, or Firm—Robert E. McDonald; Steven W. Tan

[57] CLAIM

The ornamental design for wall mounted merchandise display stand, as shown and described.

DESCRIPTION

FIG. 1 is a side elevational view of a wall mounted merchandise display stand showing my new design, the opposite side being a mirror image thereof;
 FIG. 2 is a top plan view thereof;
 FIG. 3 is a rear elevational view thereof;
 FIG. 4 is a bottom plan view thereof;
 FIG. 5 is a perspective view thereof;
 FIG. 6 is an enlarged fragmentary elevational view taken along line 6—6 of FIG. 2; and
 FIG. 7 is a sectional view taken along line 7—7 of FIG. 4.

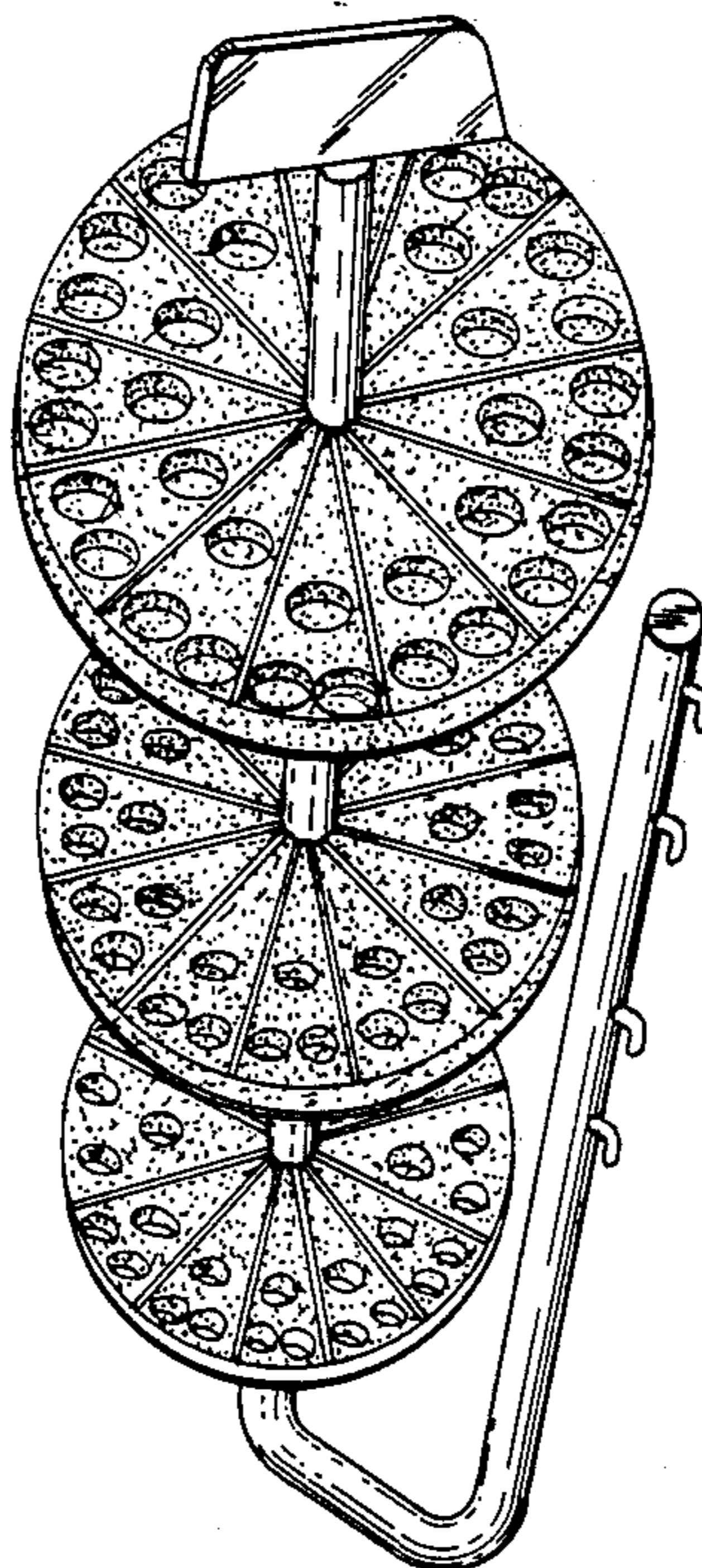


FIG. 1

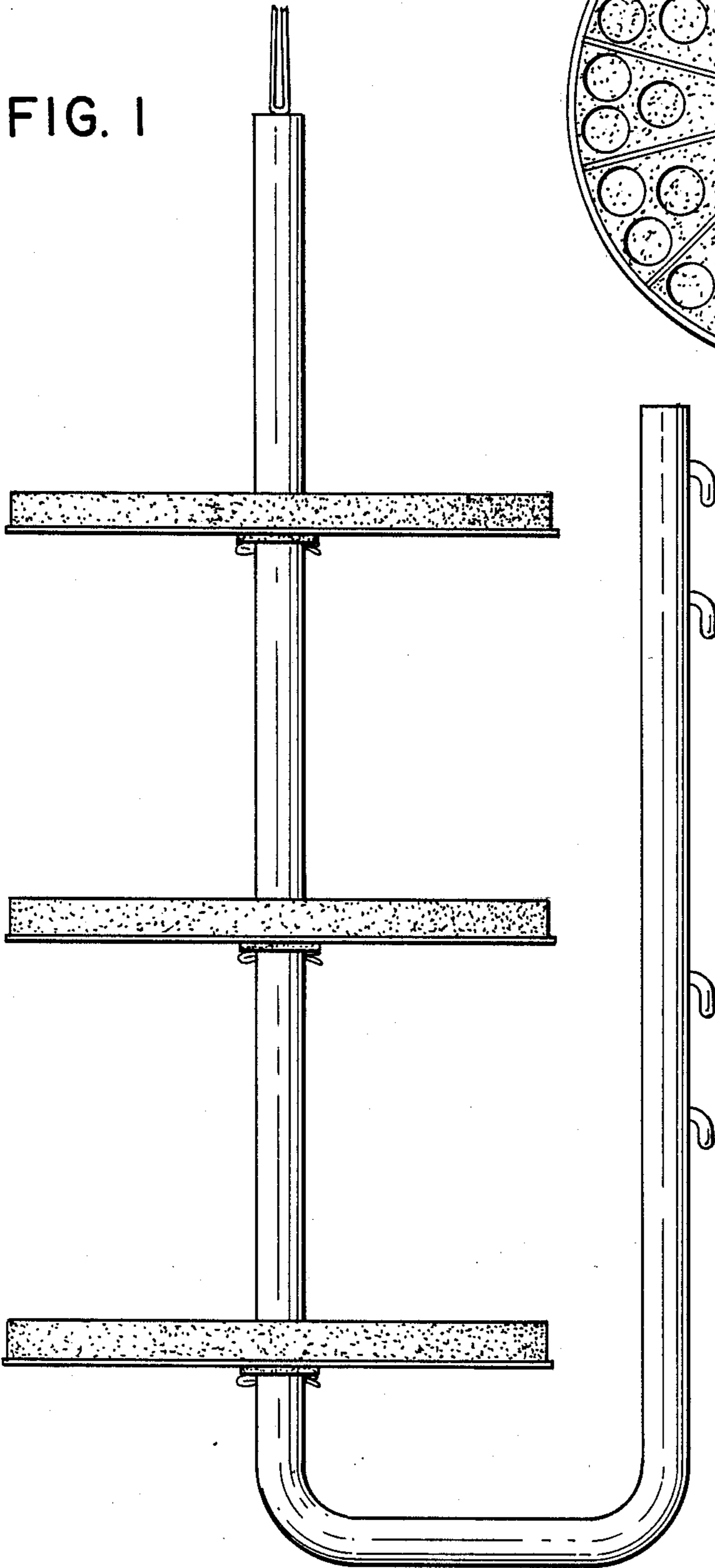


FIG. 2

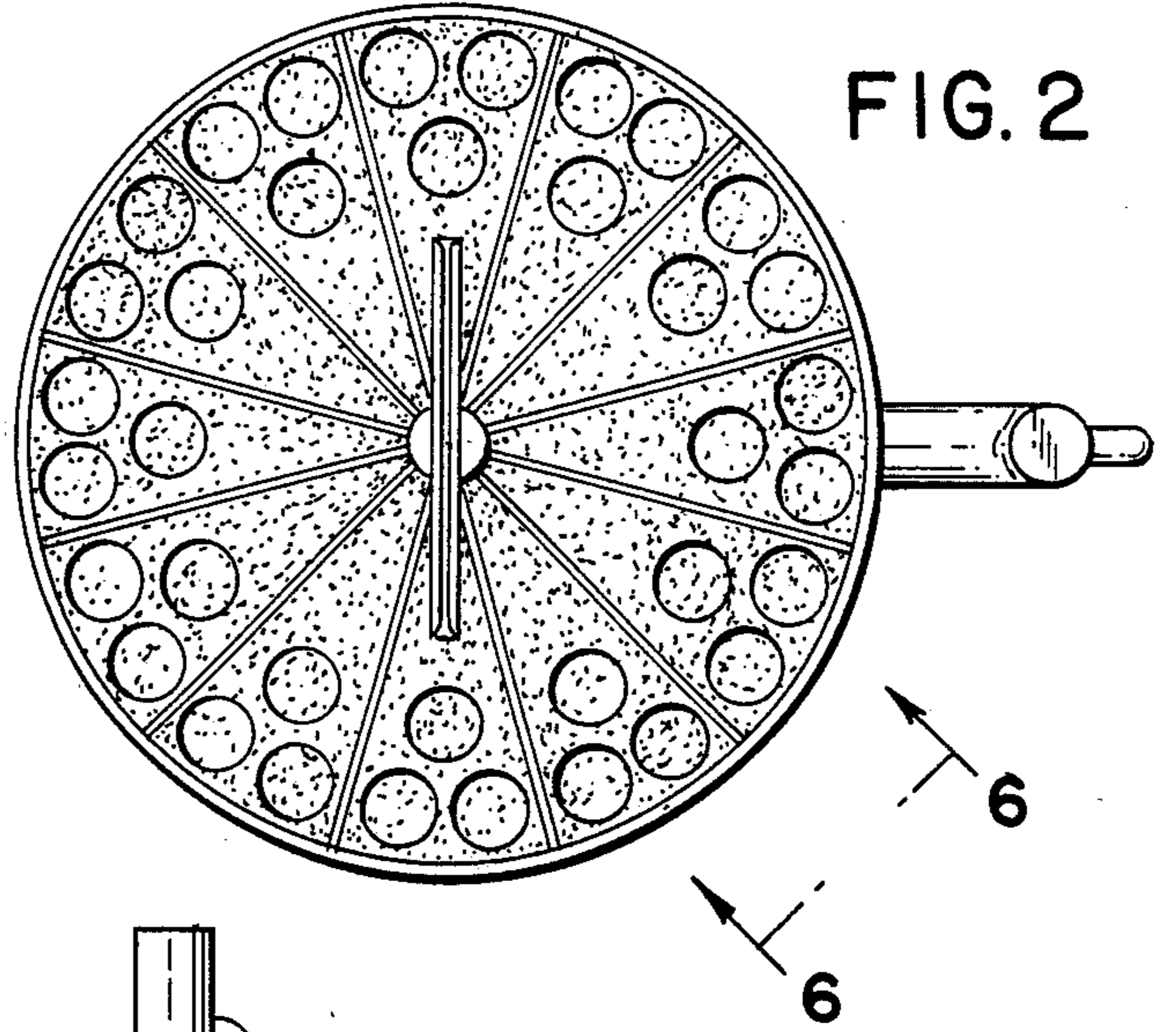


FIG. 6

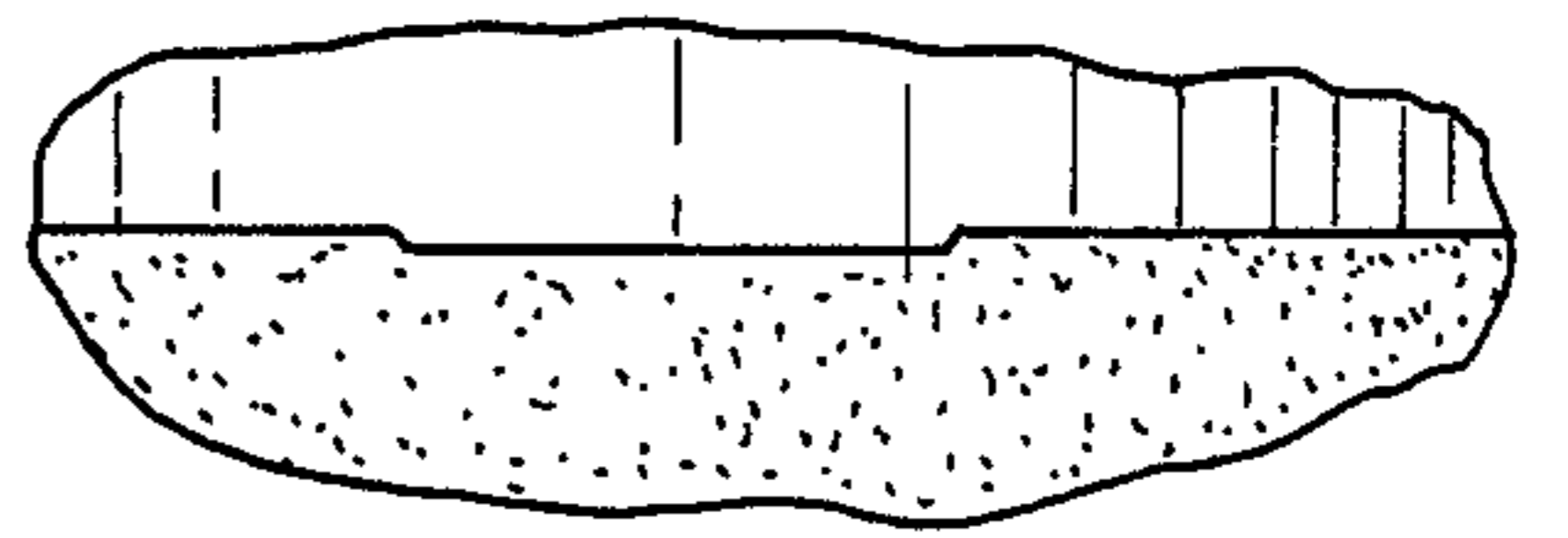


FIG. 3

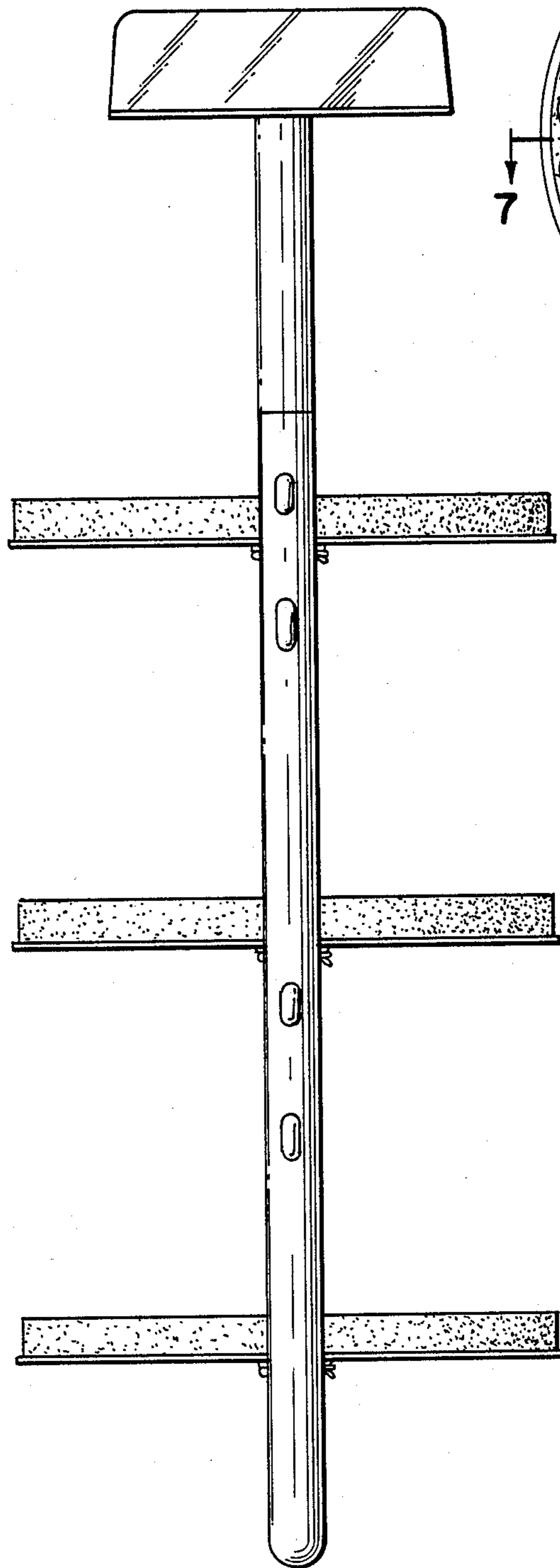


FIG. 4

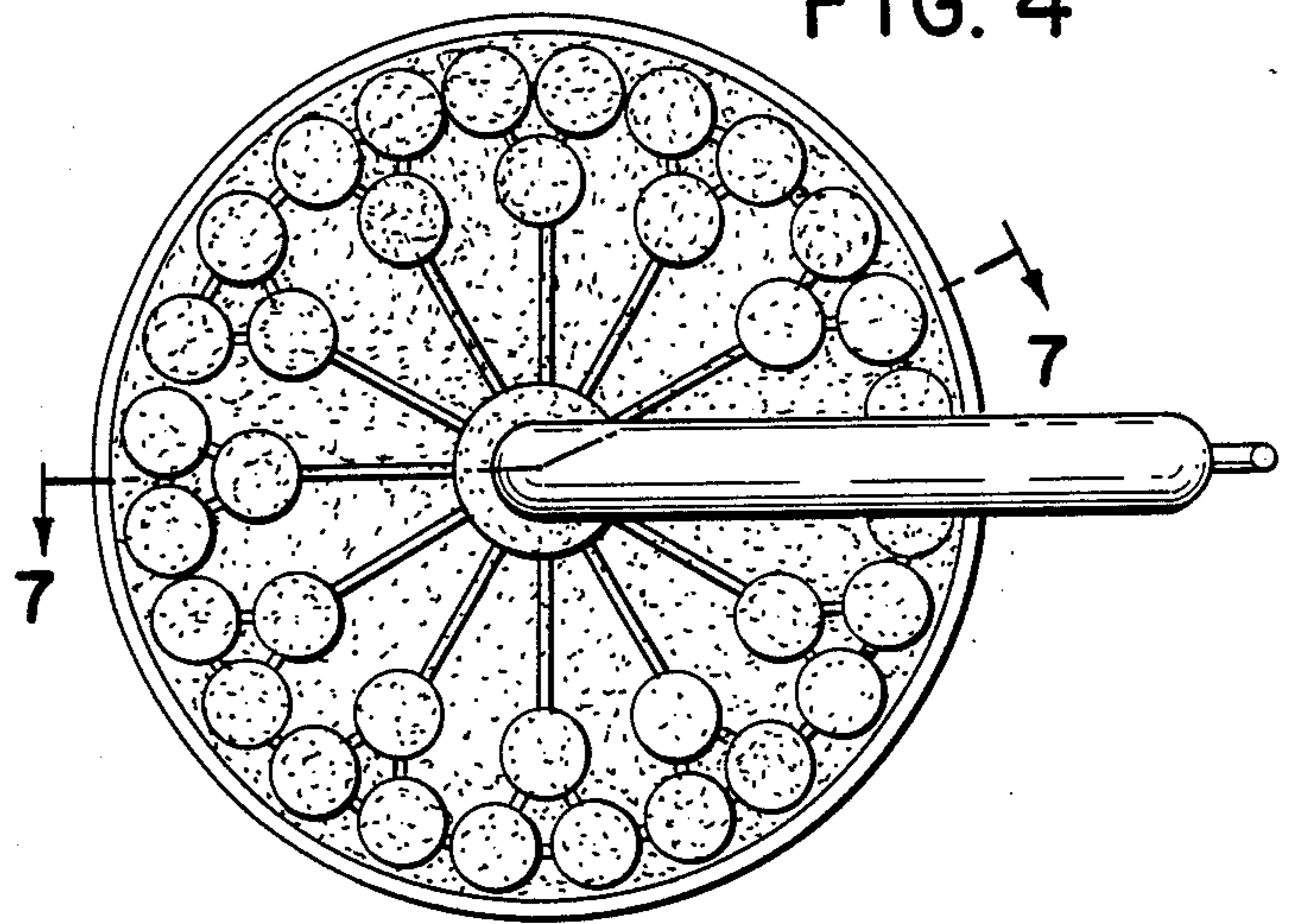


FIG. 5

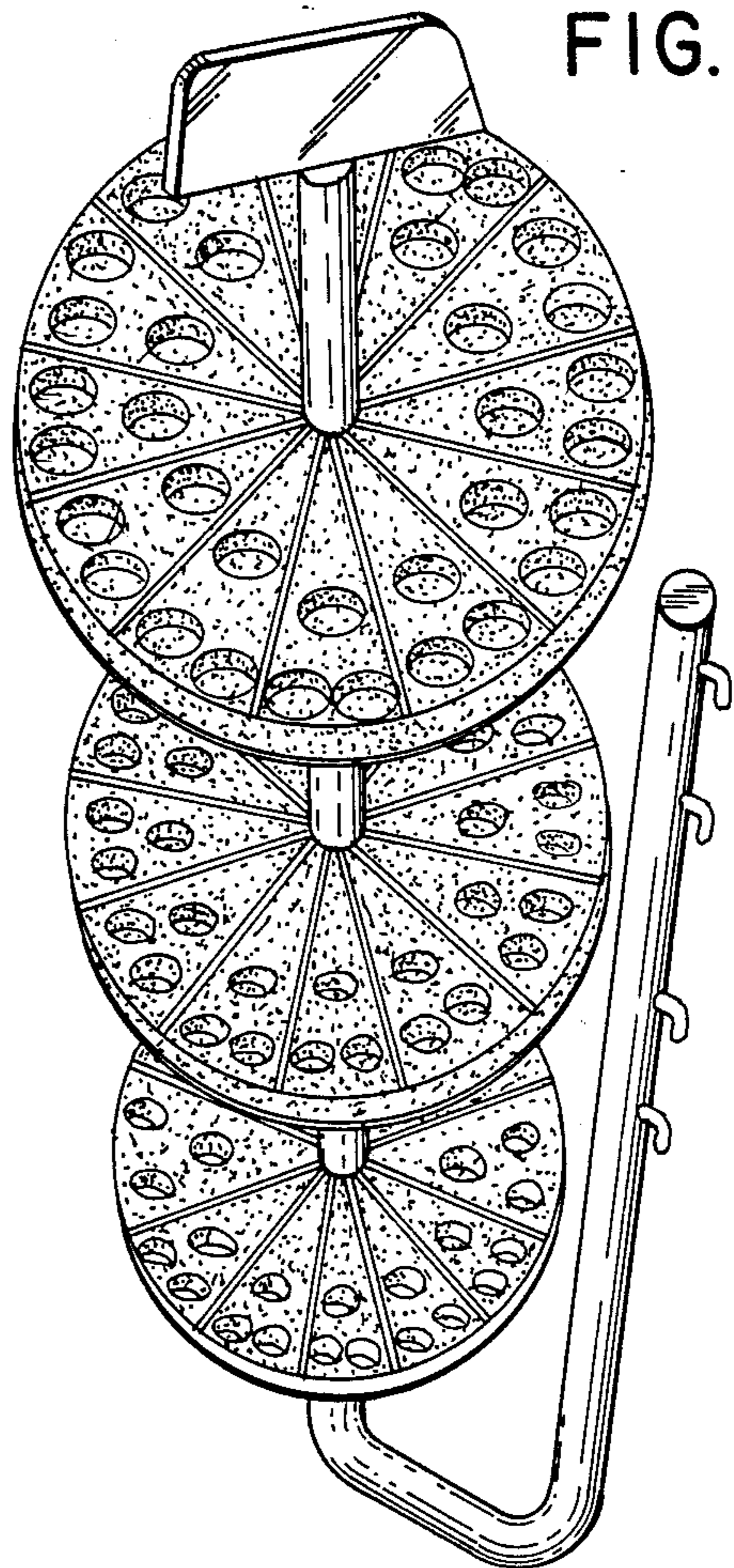


FIG. 7

