

[54] PORTABLE HOLDER FOR FISHING RODS

[76] Inventors: Gary Gibson, 2932 Helena Ave., N., Oakdale, Minn. 55119; Kenneth Tannehill, 1200 W. 96th St., Minneapolis, Minn. 55431

[**] Term: 14 Years

[21] Appl. No.: 135,758

[22] Filed: Dec. 21, 1987

[52] U.S. Cl. D6/552

[58] Field of Search D6/512, 552, 449; 211/13, 60.1, 68, 70.8; 248/316.8

[56] References Cited

U.S. PATENT DOCUMENTS

D. 223,259	4/1972	Stahl	D6/552
D. 248,347	7/1978	McCollum	D6/552
D. 249,173	8/1978	Coleman	D6/552 X
D. 281,393	11/1985	Karnhag et al.	D6/552 X
3,731,817	5/1973	Fowlkes et al.	211/60.1
4,003,612	1/1977	Munsell	211/60.1

4,014,466	3/1977	Wess et al.	211/60.1
4,109,796	8/1978	Mitchell	211/60.1
4,352,337	10/1982	Wyoral	211/60.1
4,485,578	12/1984	Novoy	211/68 X

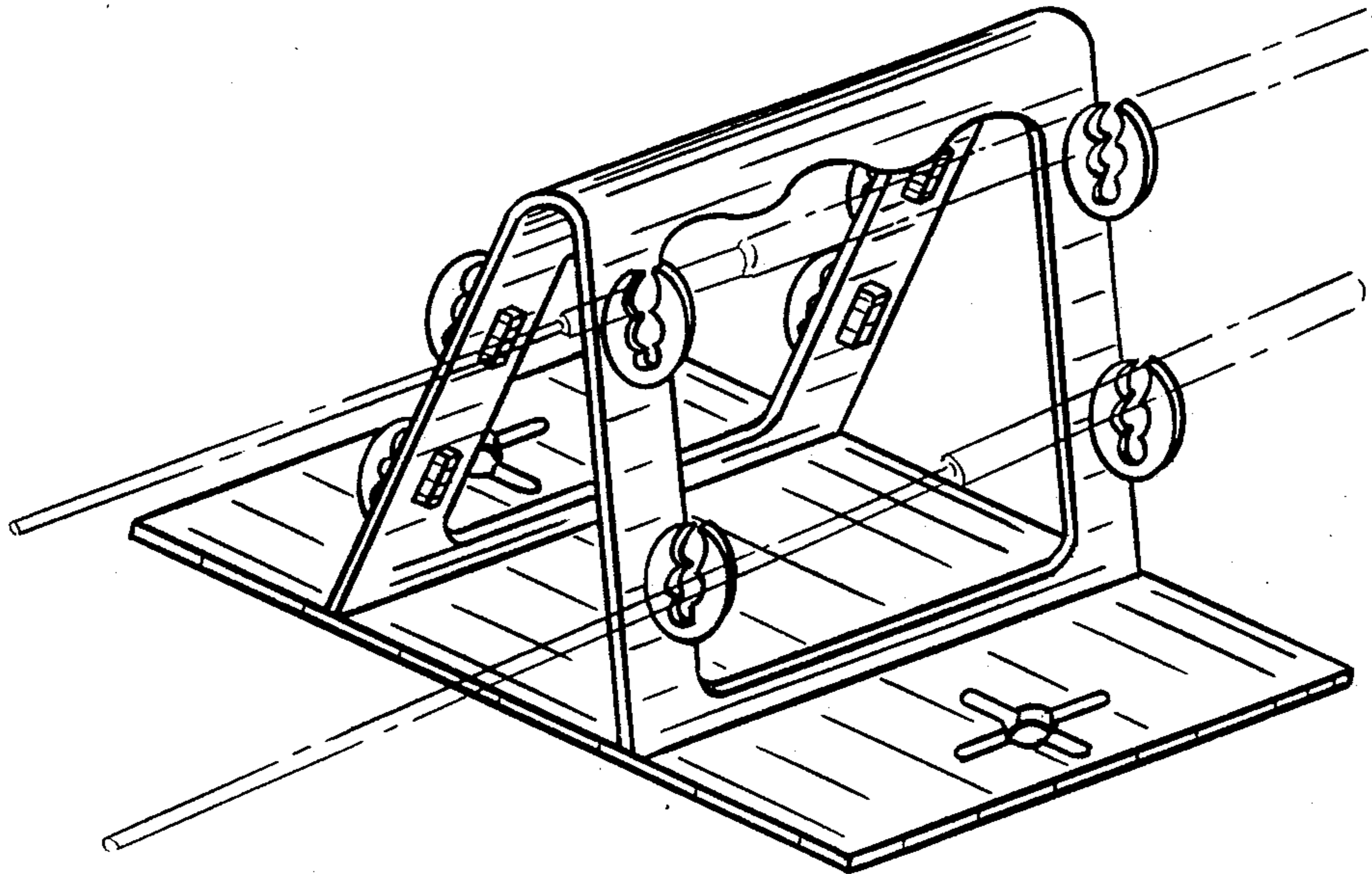
Primary Examiner—Wallace R. Burke
Assistant Examiner—Brian N. Vinson
Attorney, Agent, or Firm—Norman B. Rainer

[57] CLAIM

The ornamental design for a portable holder for fishing rods, as shown and described.

DESCRIPTION

FIG. 1 is an end elevational view of a portable holder for fishing rods showing our new design, the end opposite being a mirror image of that shown; FIG. 2 is a side elevational view thereof, the side opposite being a mirror image of that shown; FIG. 3 is a top plan view thereof; and FIG. 4 is a perspective view thereof, the broken-line showing of the fishing rods being for illustrative purposes only and forming no part of the claimed design.



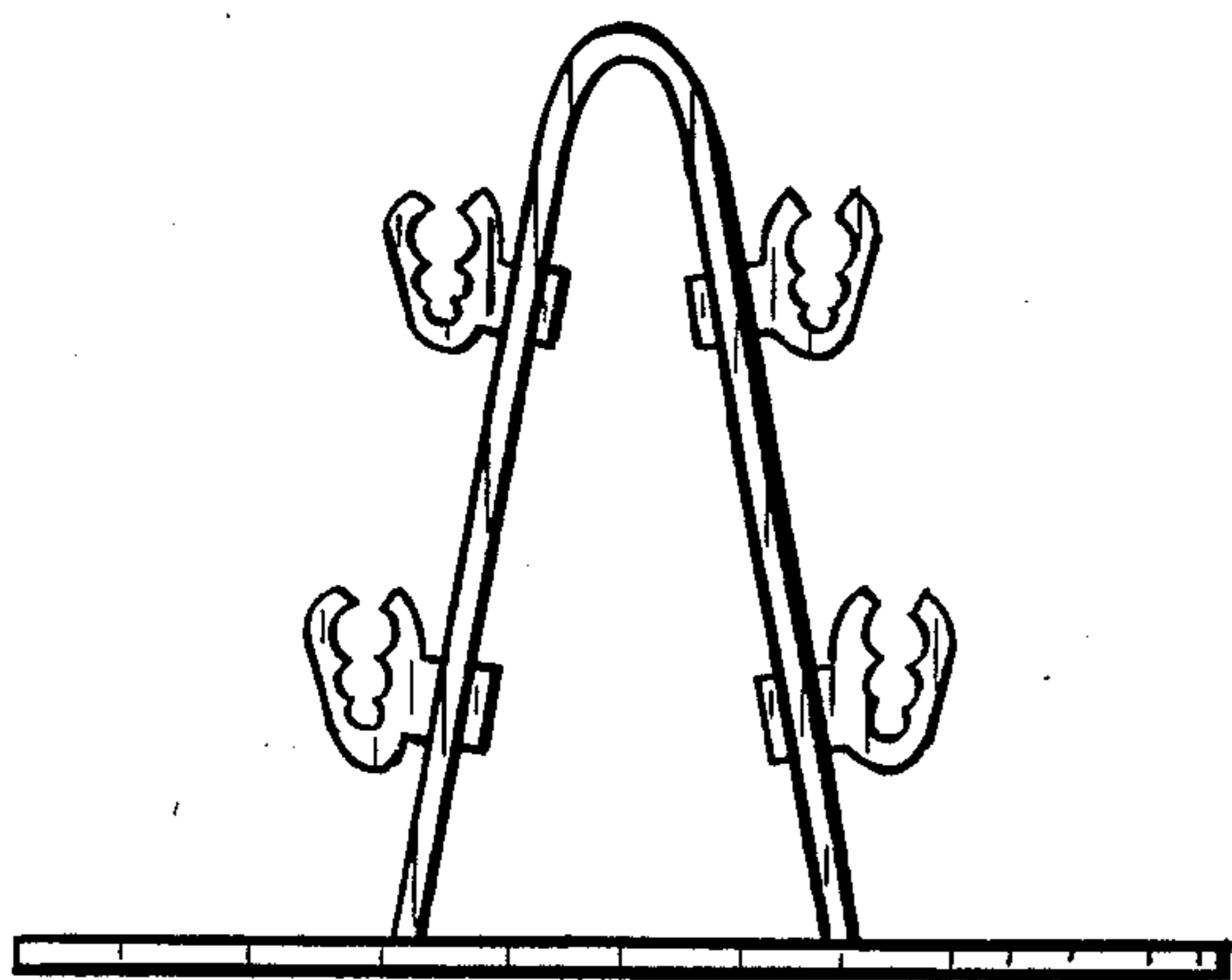


FIG. 1

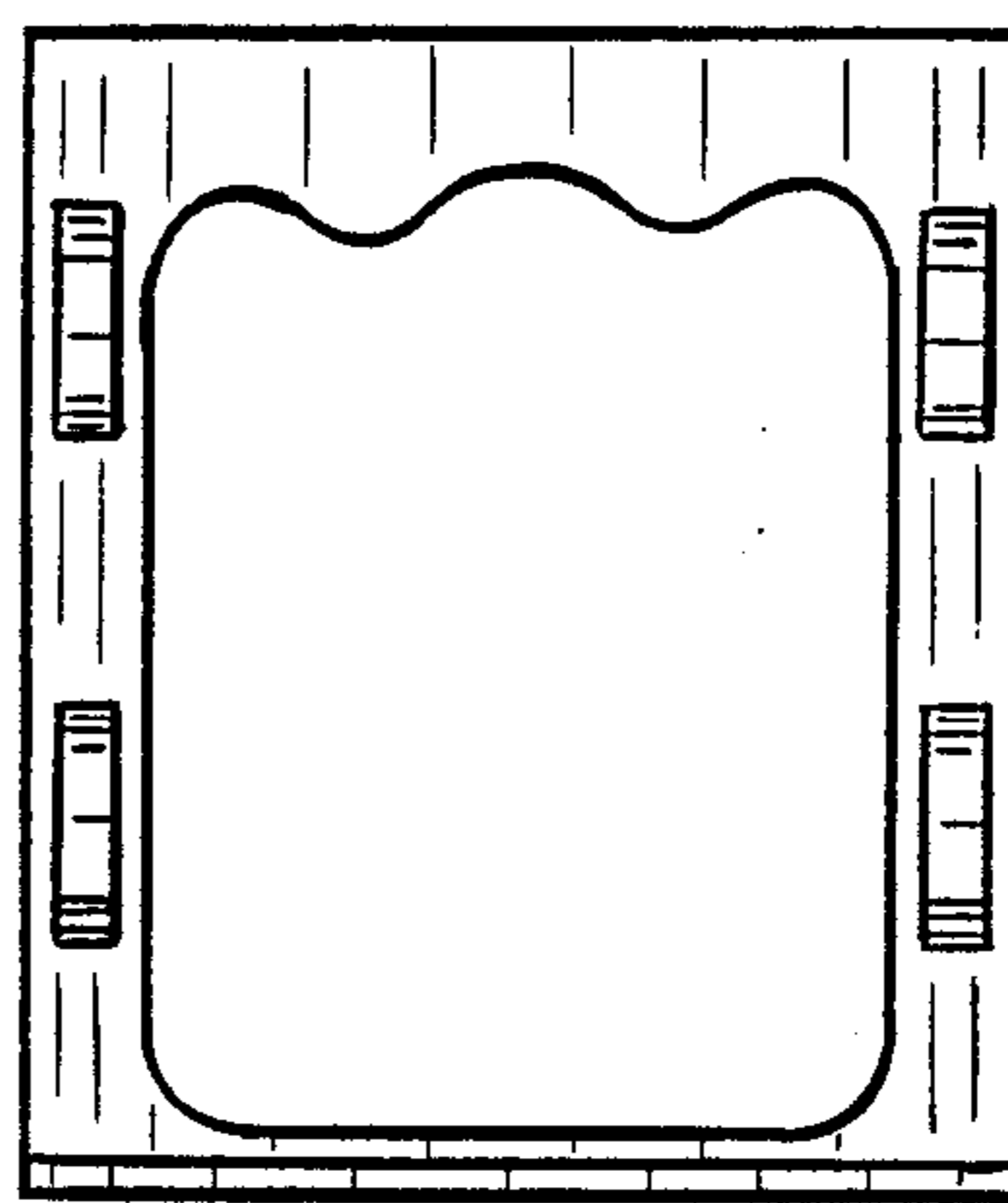


FIG. 2

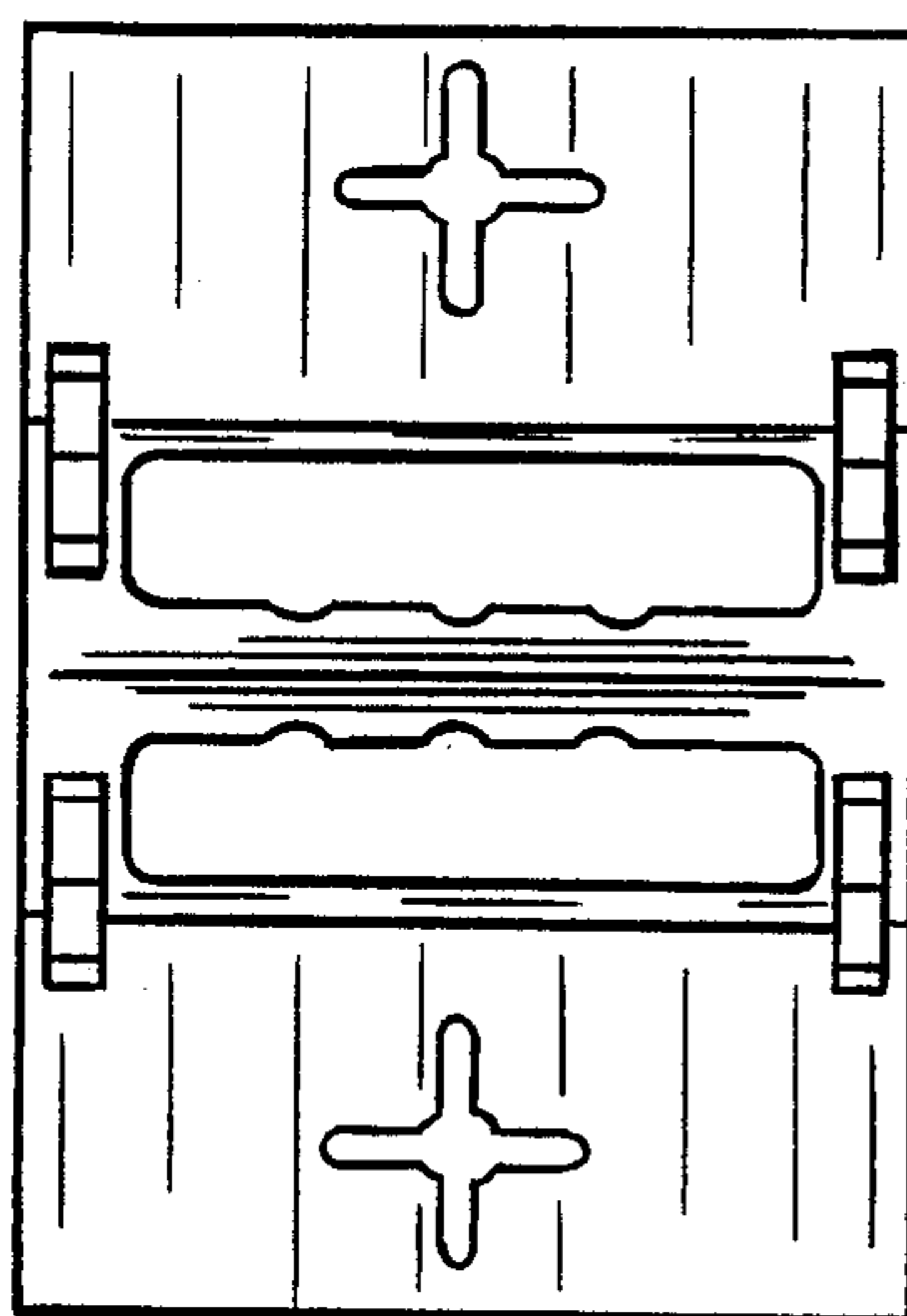


FIG. 3

FIG. 4

