

# United States Patent [19]

Cook et al.

[11] Patent Number: Des. 307,085

[45] Date of Patent: \*\* Apr. 10, 1990

[54] CHILD'S SEAT

[76] Inventors: Virginia L. Cook; James T. Cook, Jr.,  
both of P.O. Box 181, Livingston,  
La. 70754

[\*\*] Term: 14 Years

[21] Appl. No.: 76,938

[22] Filed: Jul. 23, 1987

[52] U.S. Cl. .... D6/502; D6/354;  
297/195

[58] Field of Search ..... D6/334, 344, 354, 367,  
D6/368, 462, 495, 496, 500, 501, 502; 297/195;  
D12/109, 111

[56] References Cited

### U.S. PATENT DOCUMENTS

D. 184,602 3/1959 Chamness ..... D6/354  
D. 294,546 3/1988 Opsvik ..... D6/500

615,077 11/1898 Lovekin ..... D6/354 X  
2,980,162 4/1961 Bourgois ..... 297/195  
4,130,263 12/1978 Roericht ..... 297/195 X  
4,469,372 9/1984 Long ..... D6/366 X

Primary Examiner—Carmen H. Vales-Lado

Assistant Examiner—Schon C. Oppert

Attorney, Agent, or Firm—Jerry T. Kearns

[57] CLAIM

The ornamental design for a child's seat, as shown and described.

### DESCRIPTION

FIG. 1 is a front elevational view of a child's seat showing our new design;

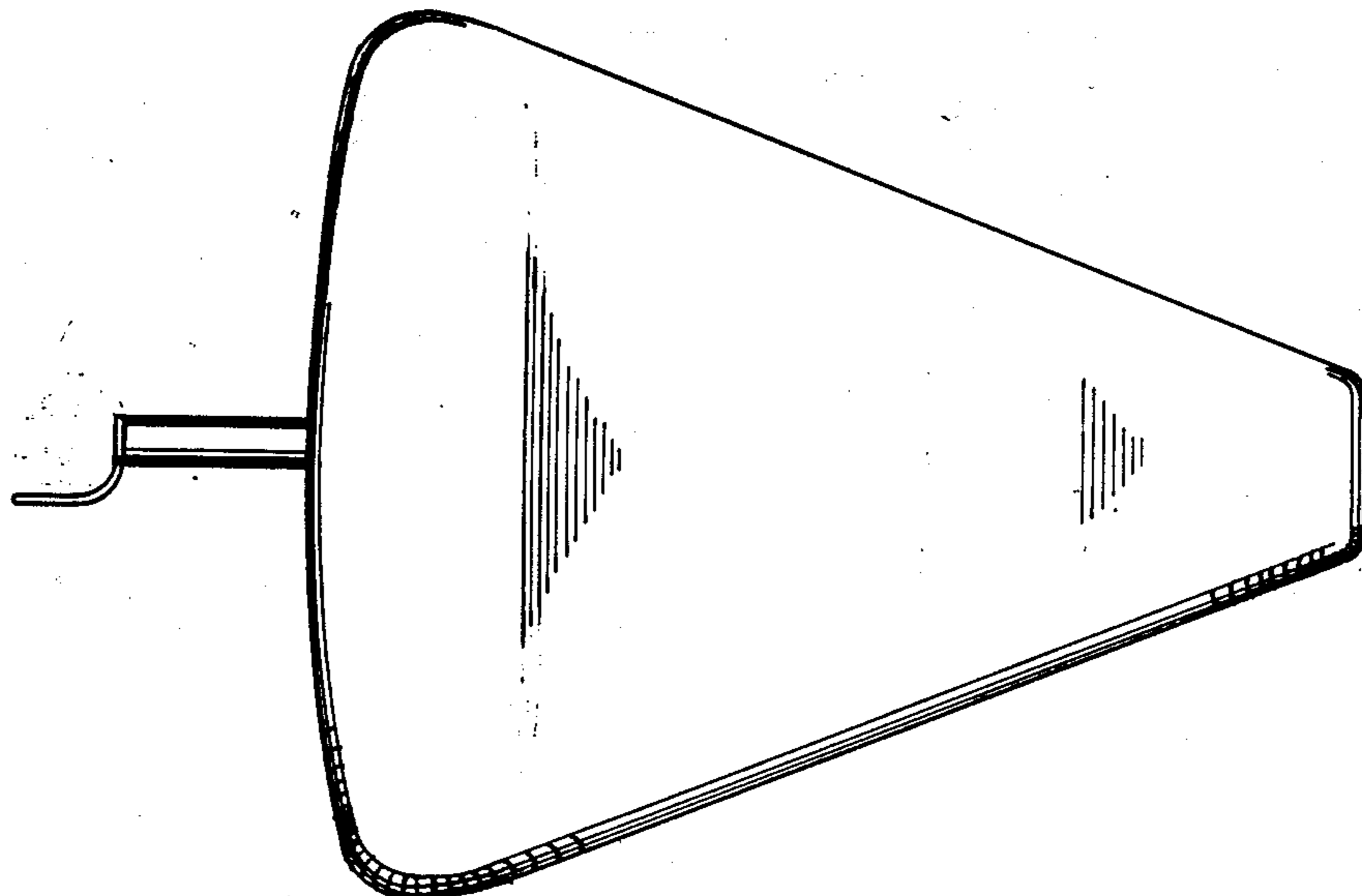
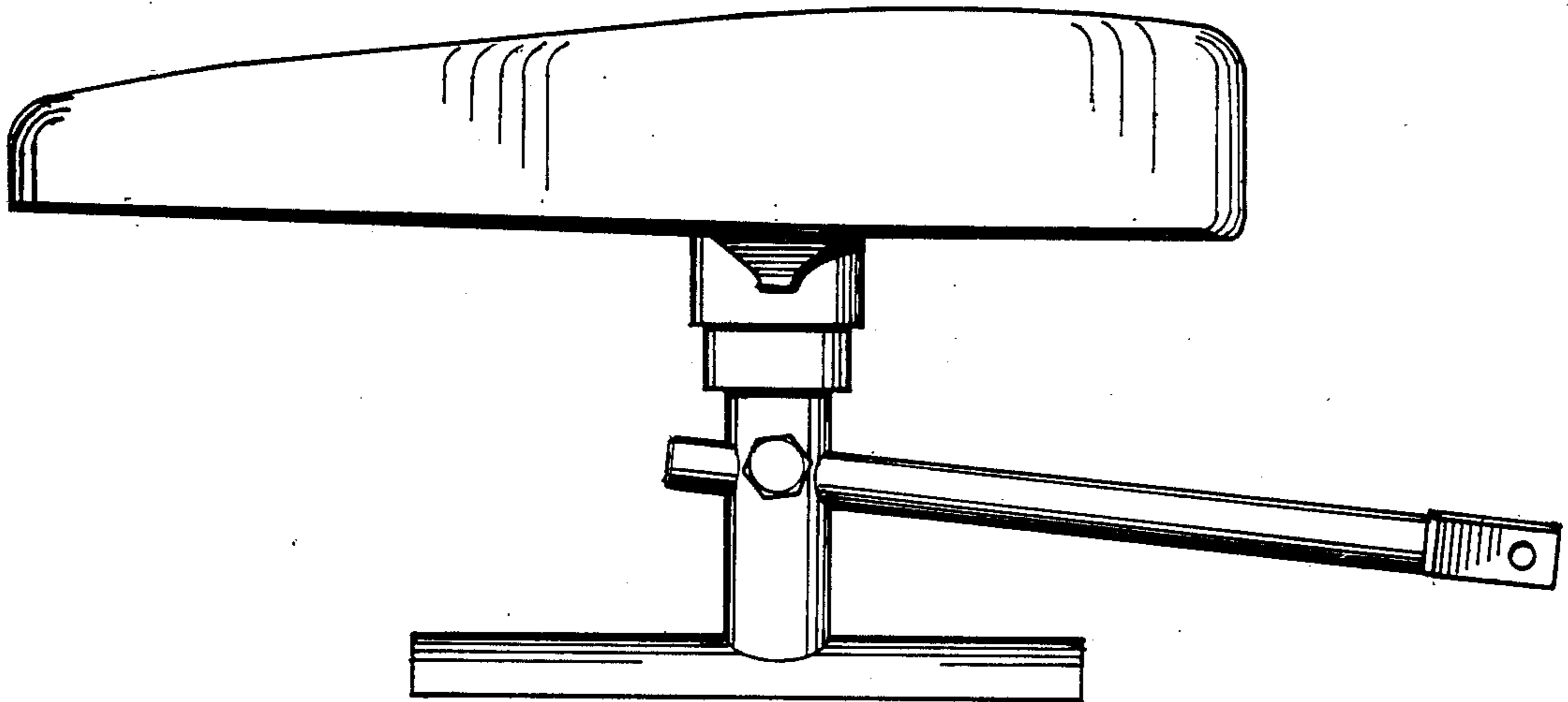
FIG. 2 is a rear elevational view thereof;

FIG. 3 is a right side elevational view thereof;

FIG. 4 is a left side elevational view thereof;

FIG. 5 is a top plan view thereof; and,

FIG. 6 is a bottom plan view thereof.



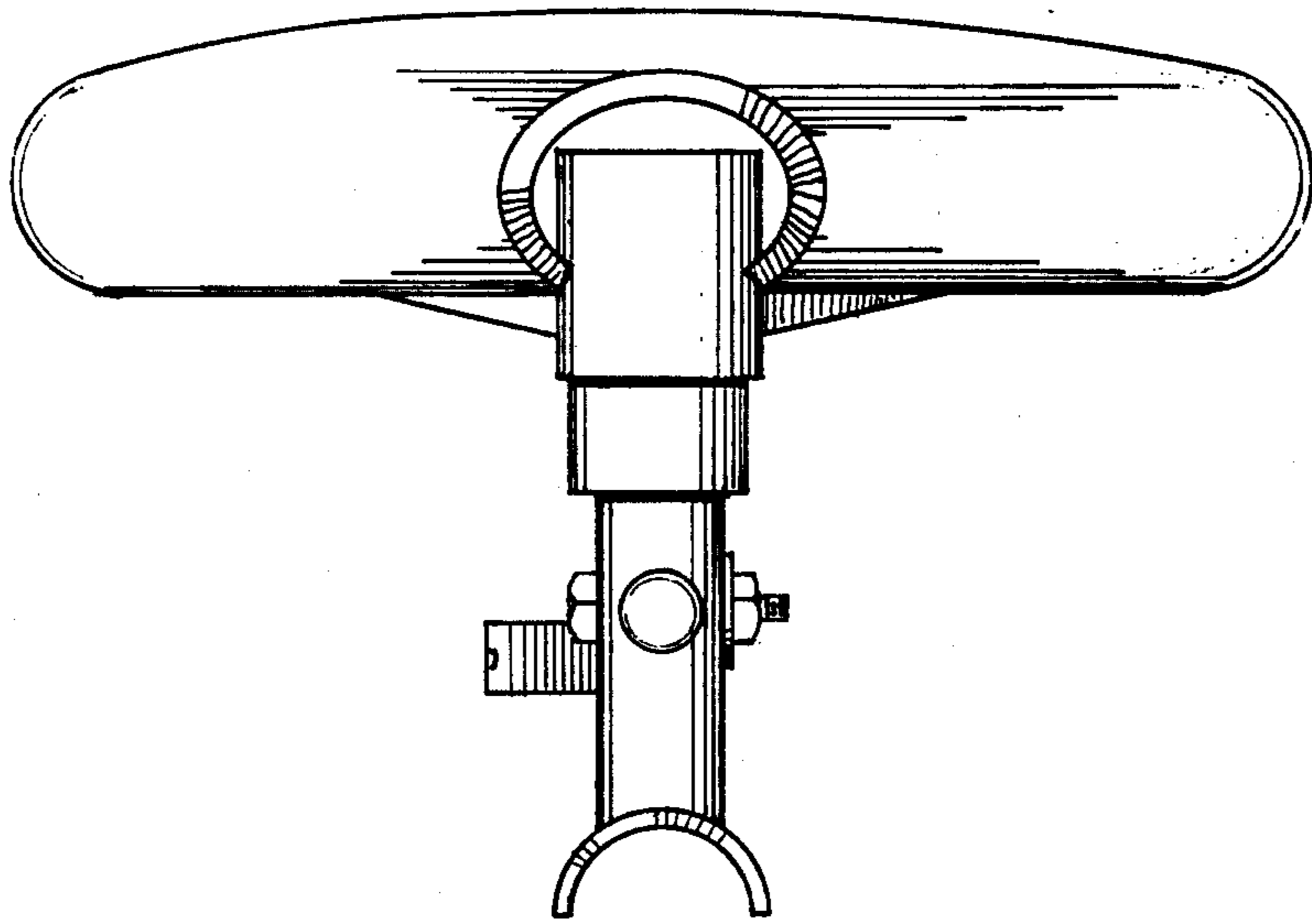


Fig. 1

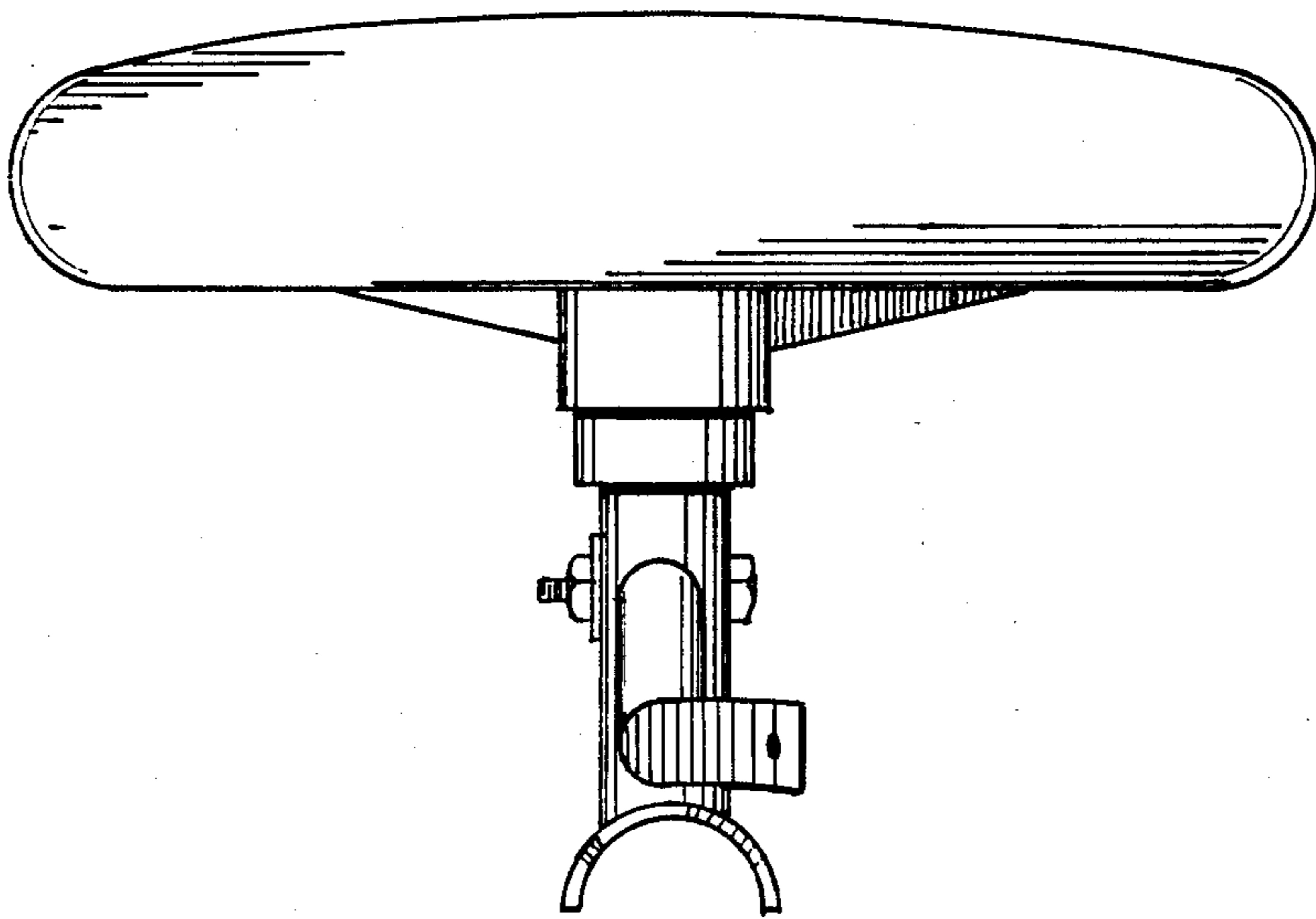


Fig. 2

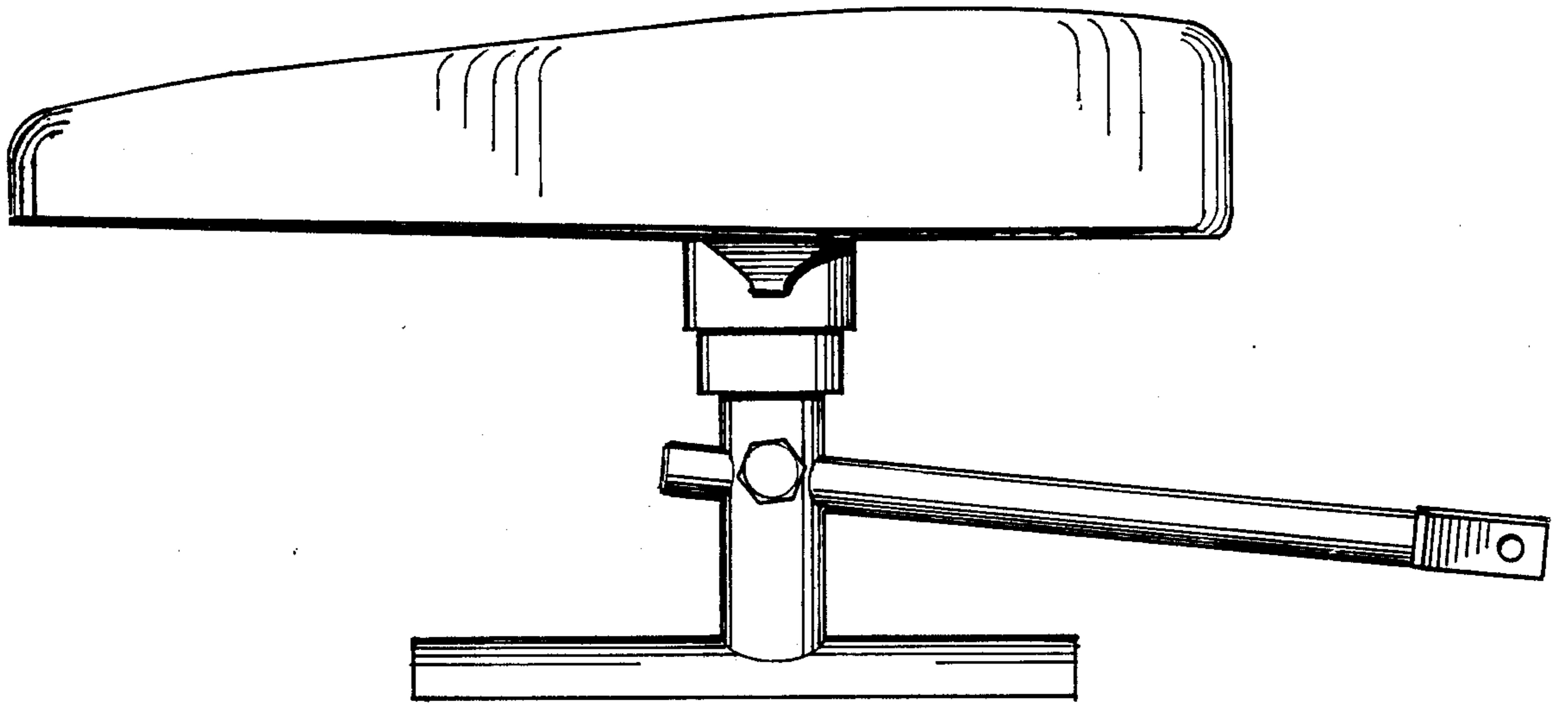


Fig. 3

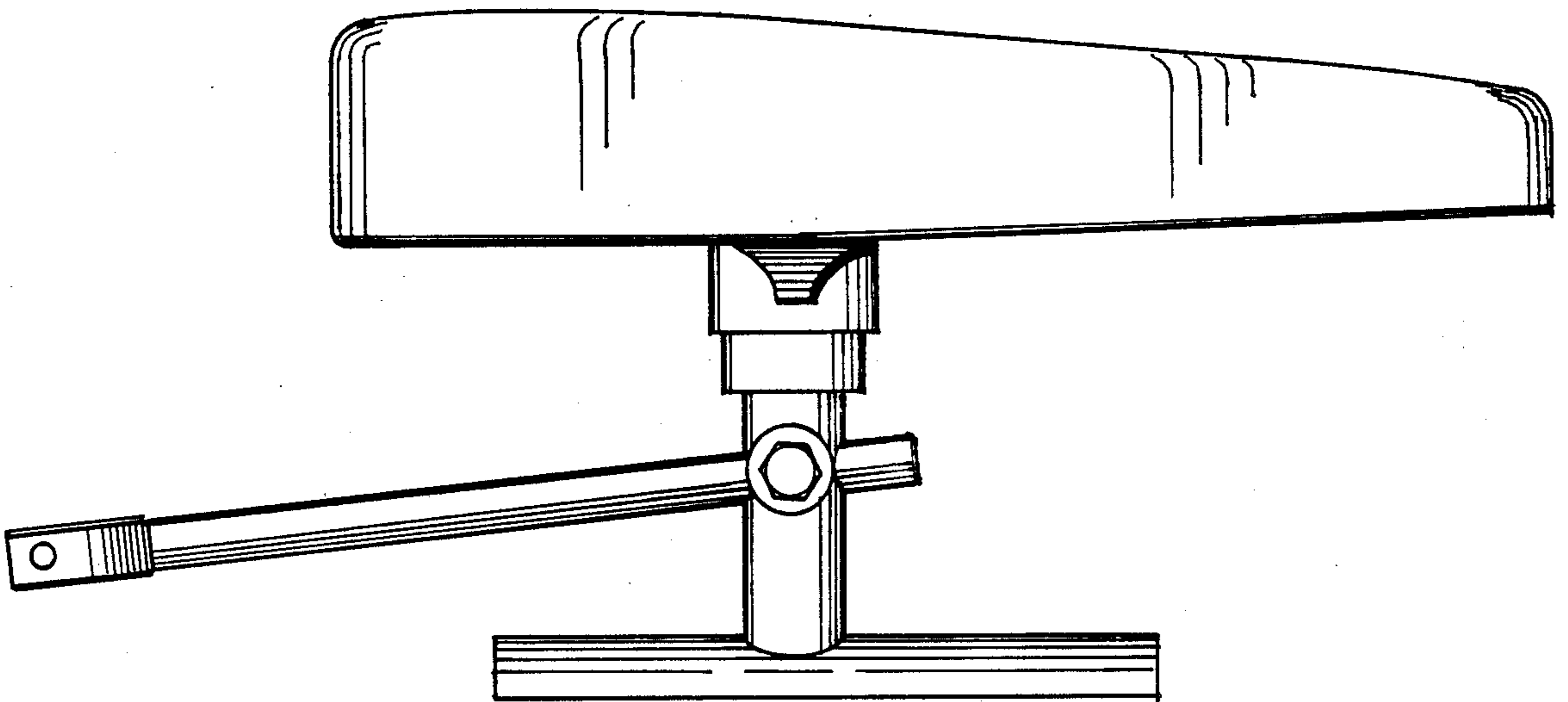


Fig. 4

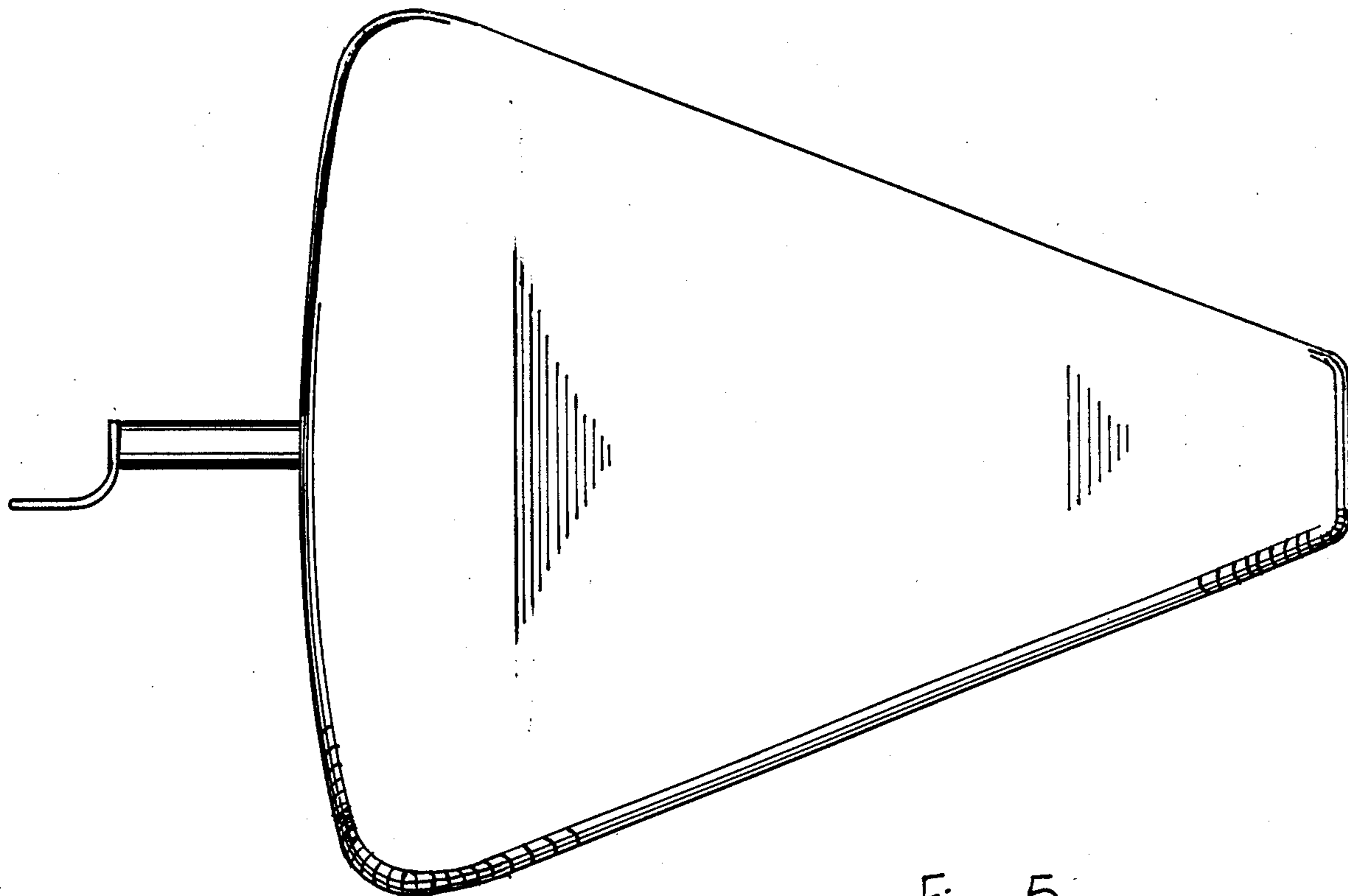


Fig. 5

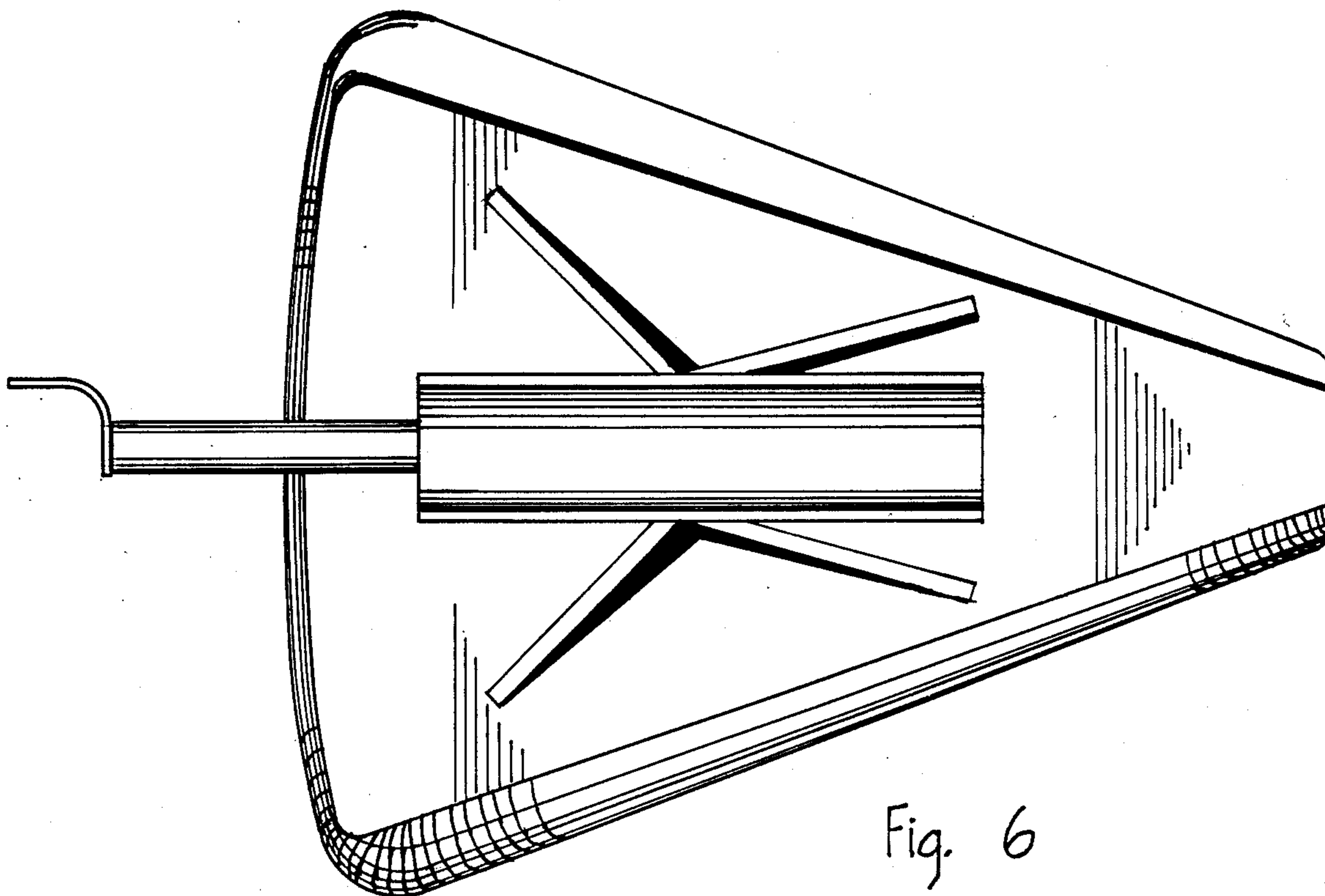


Fig. 6