

[54] **PRINTER STAND**

[75] Inventor: **Wallace R. Currie, Dallas, Tex.**

[73] Assignee: **Balt, Inc., Cameron, Tex.**

[**] Term: **14 Years**

[21] Appl. No.: **67,359**

[22] Filed: • **Jun. 29, 1987**

[52] U.S. Cl. **D6/464; 211/13; 248/676**

[58] **Field of Search** **D6/396, 397, 405, 449, D6/462-463, 464, 474, 487, 509, 511, 428; 211/13, 45, 187, 189; 248/127, 175, 639, 676, 918**

[56] **References Cited**

U.S. PATENT DOCUMENTS

- D. 188,742 8/1960 Kiegel et al. D6/463
- D. 258,789 4/1981 Verdesca D6/428 X

- D. 288,157 2/1987 Sandor D6/474
- D. 290,020 5/1987 McCoy D6/462 X
- D. 296,143 6/1988 Bettess D6/474 X

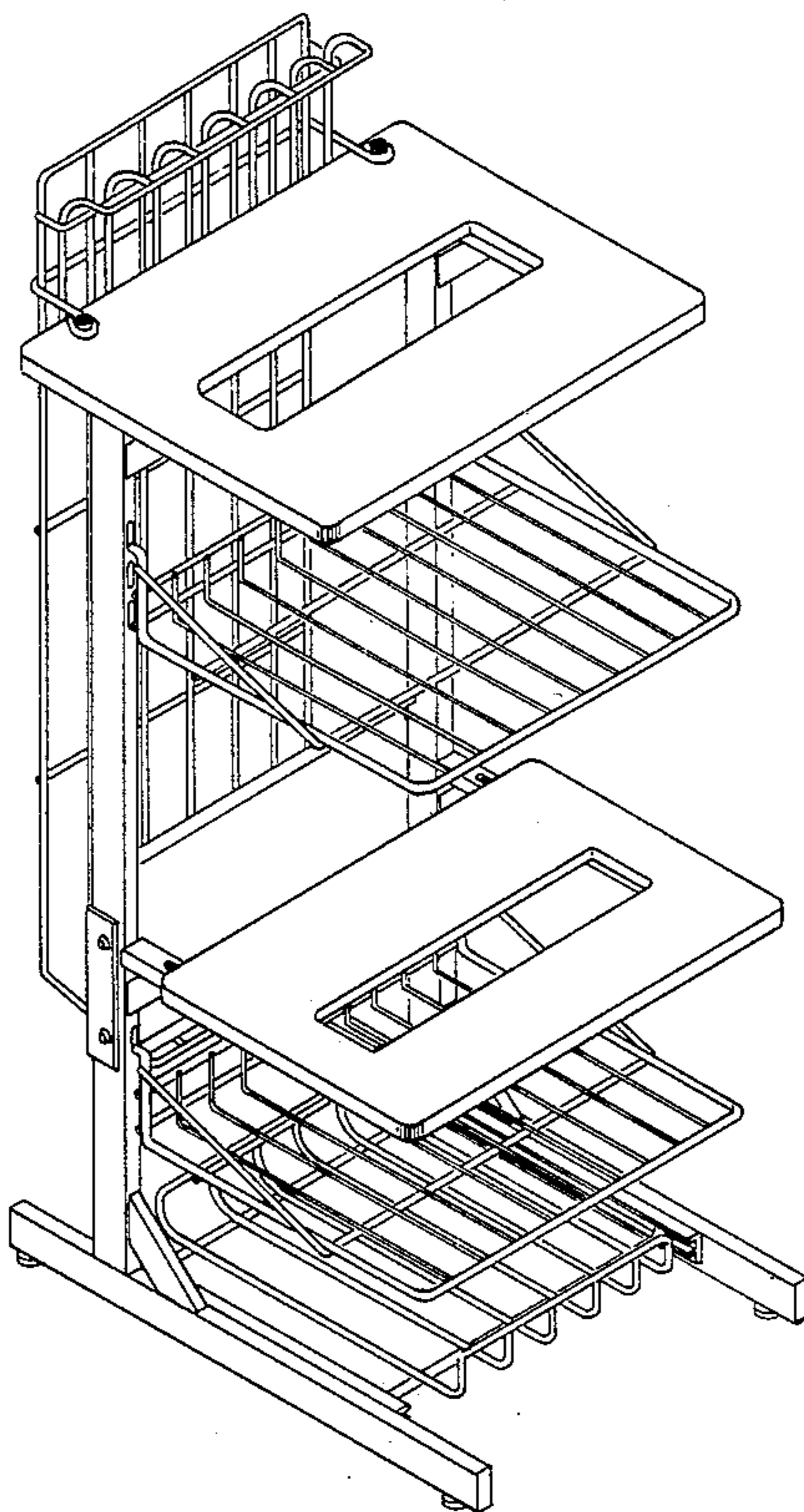
Primary Examiner—Carmen H. Vales-Lado
Assistant Examiner—Schon C. Oppert
Attorney, Agent, or Firm—Johnson & Gibbs

[57] **CLAIM**

The ornamental design for the printer stand, as shown and described.

DESCRIPTION

FIG. 1 is a top perspective view of the printer stand showing my new design;
FIG. 2 is a front elevational view thereof;
FIG. 3 is a right side elevational view, the left side being identical thereto;
FIG. 4 is a rear elevational view thereof;
FIG. 5 is a top plan view thereof; and
FIG. 6 is a bottom plan view thereof.



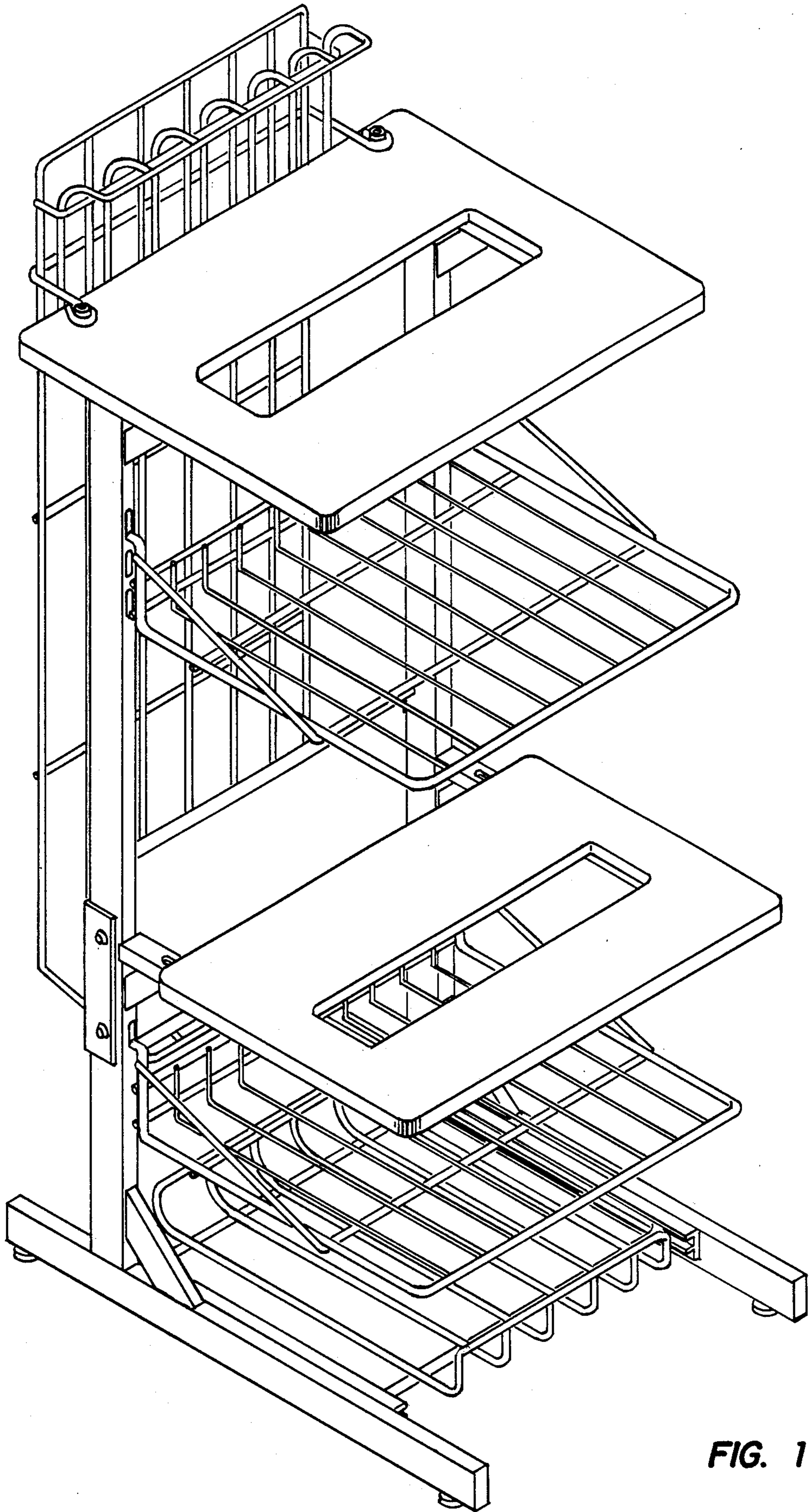


FIG. 1

FIG. 2

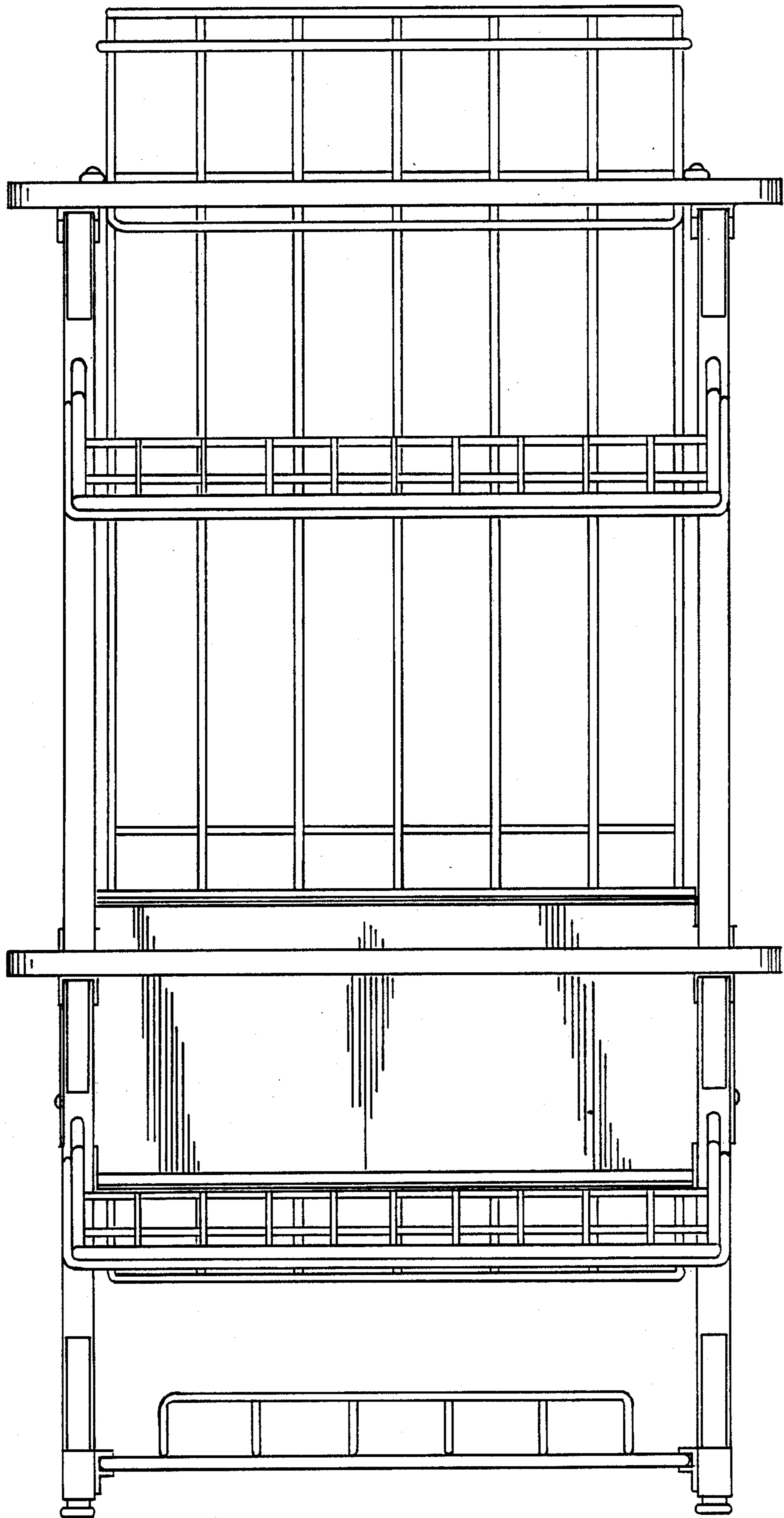


FIG. 3

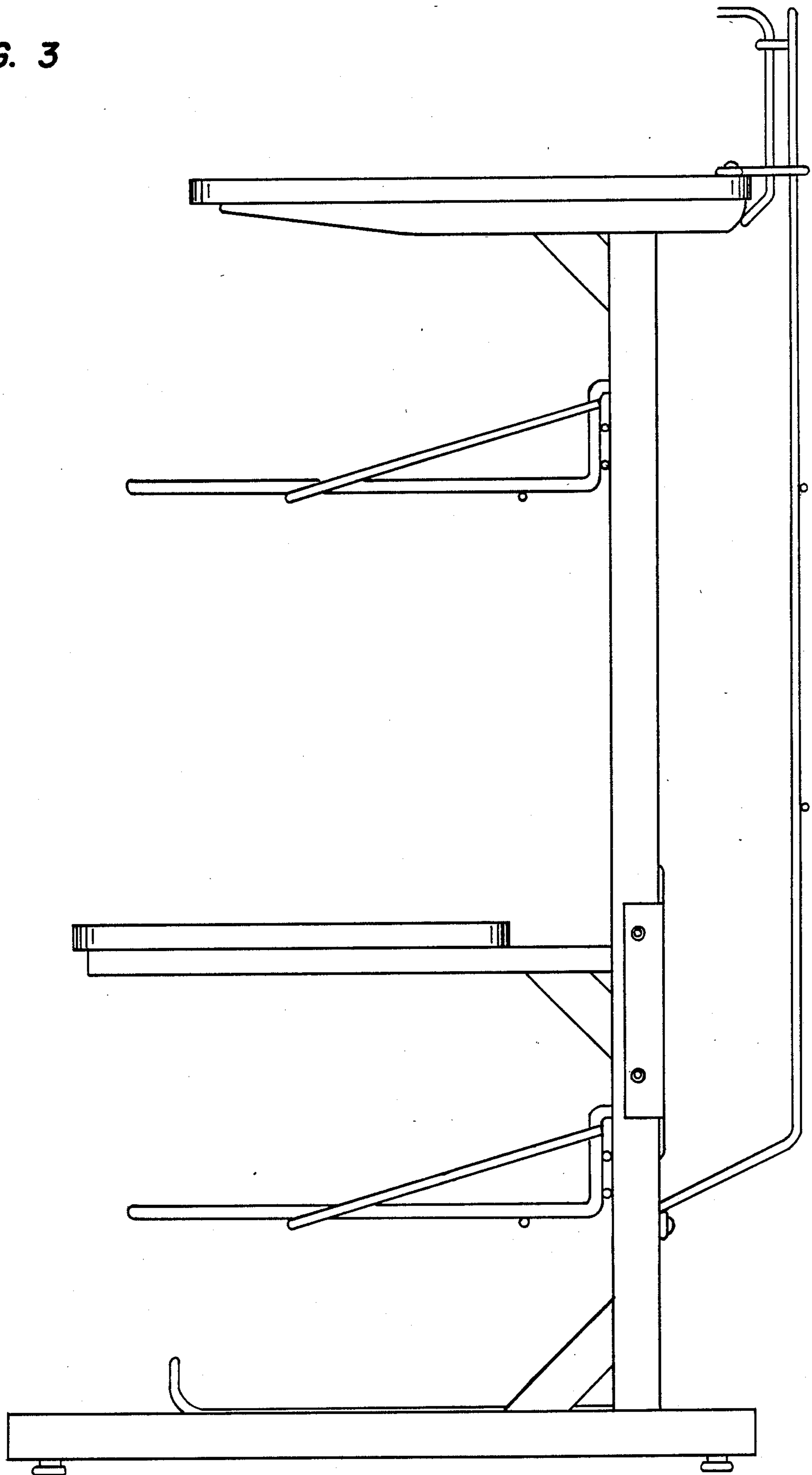
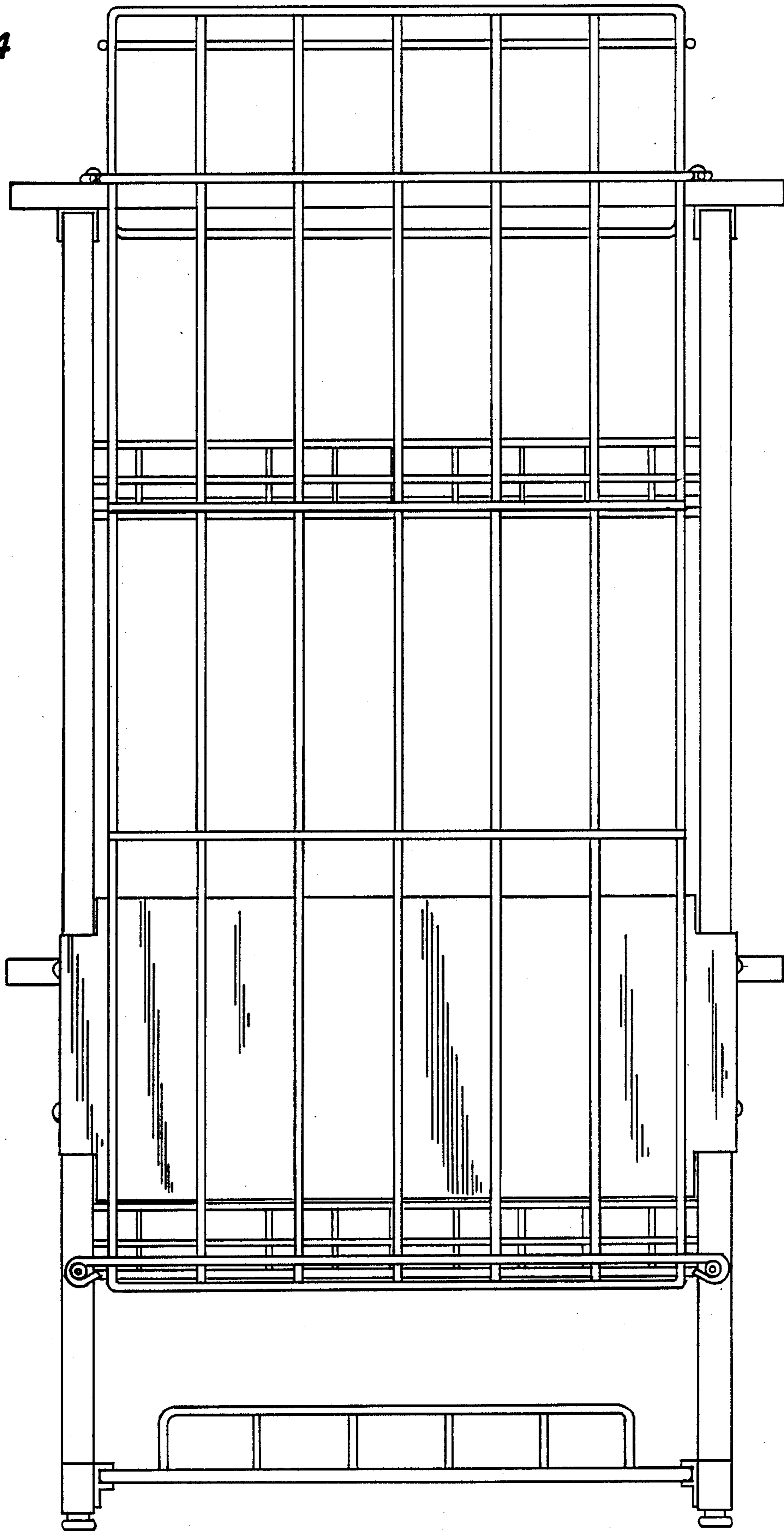


FIG. 4



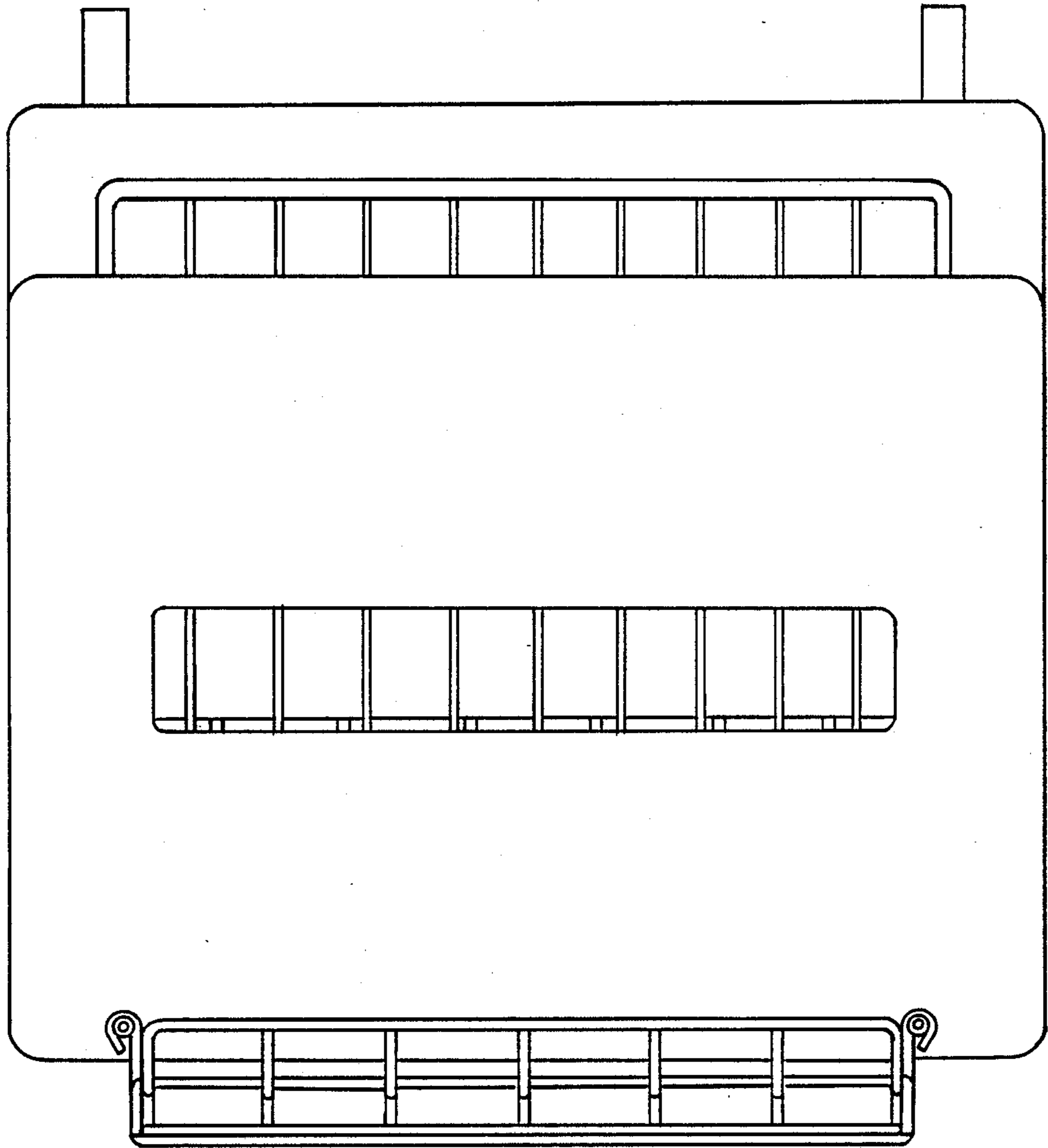


FIG. 5

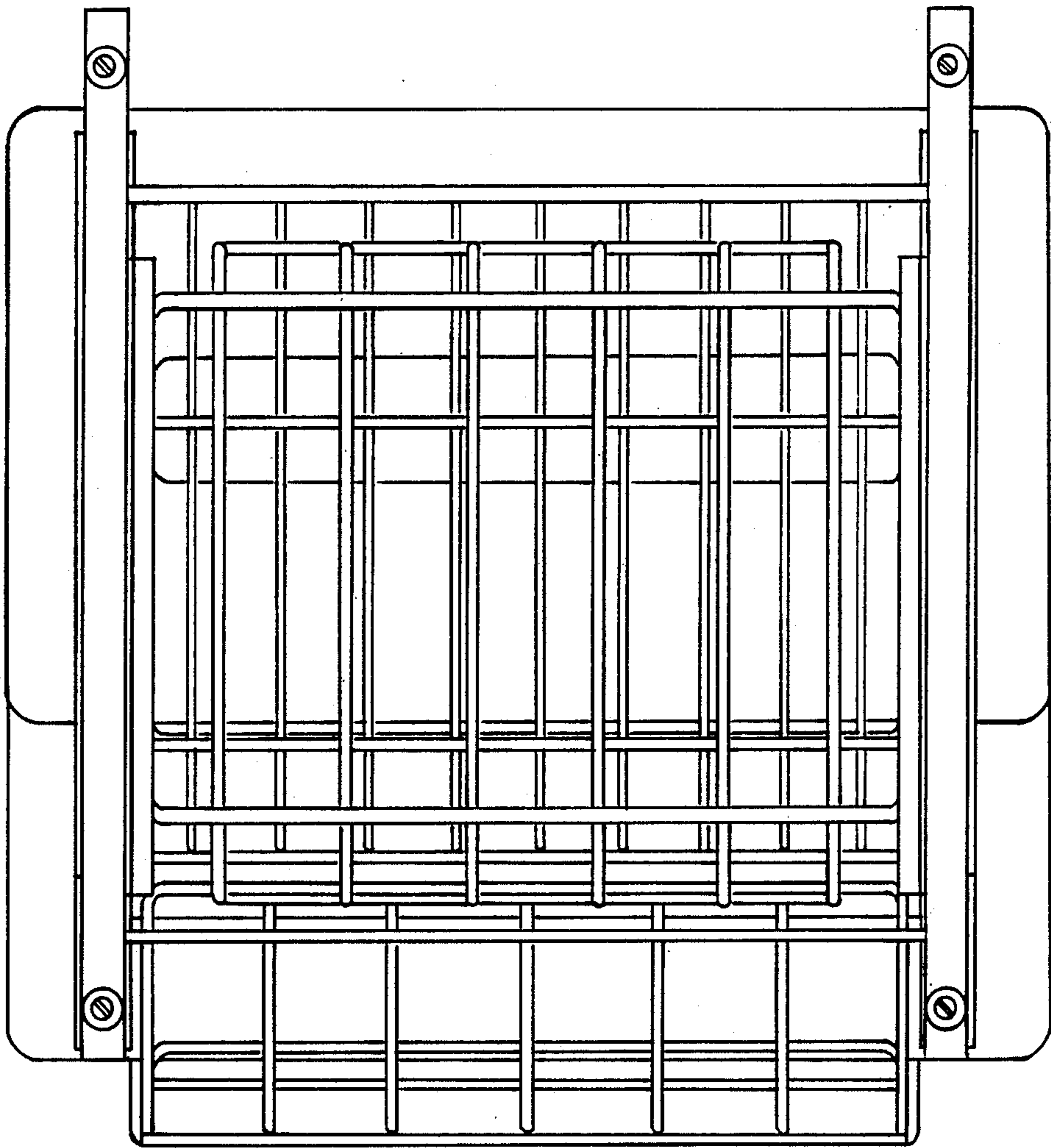


FIG. 6