

[54] **FRAME CORNER BRACKET**

[75] **Inventor: Guy Guillemet, Quebec, Canada**

[73] **Assignee: Les Produits Duvernay Ltée,
St-Leonard, Canada**

[**] **Term: 14 Years**

[21] **Appl. No.: 258,435**

[22] **Filed: Oct. 17, 1988**

[52] **U.S. Cl. D6/300; D8/382**

[58] **Field of Search D8/382; D6/300;
403/201, 230, 231, 286, 292, 295, 405.1, 187,
188**

[56] **References Cited**

U.S. PATENT DOCUMENTS

- D. 226,302 2/1973 Tompkins et al. D8/382
- D. 267,764 2/1983 Sundberg D6/300
- 4,187,649 2/1980 Chaffee 403/171

4,270,872 6/1981 Kiyosawa 403/217

FOREIGN PATENT DOCUMENTS

2531794 2/1977 Fed. Rep. of Germany 403/295

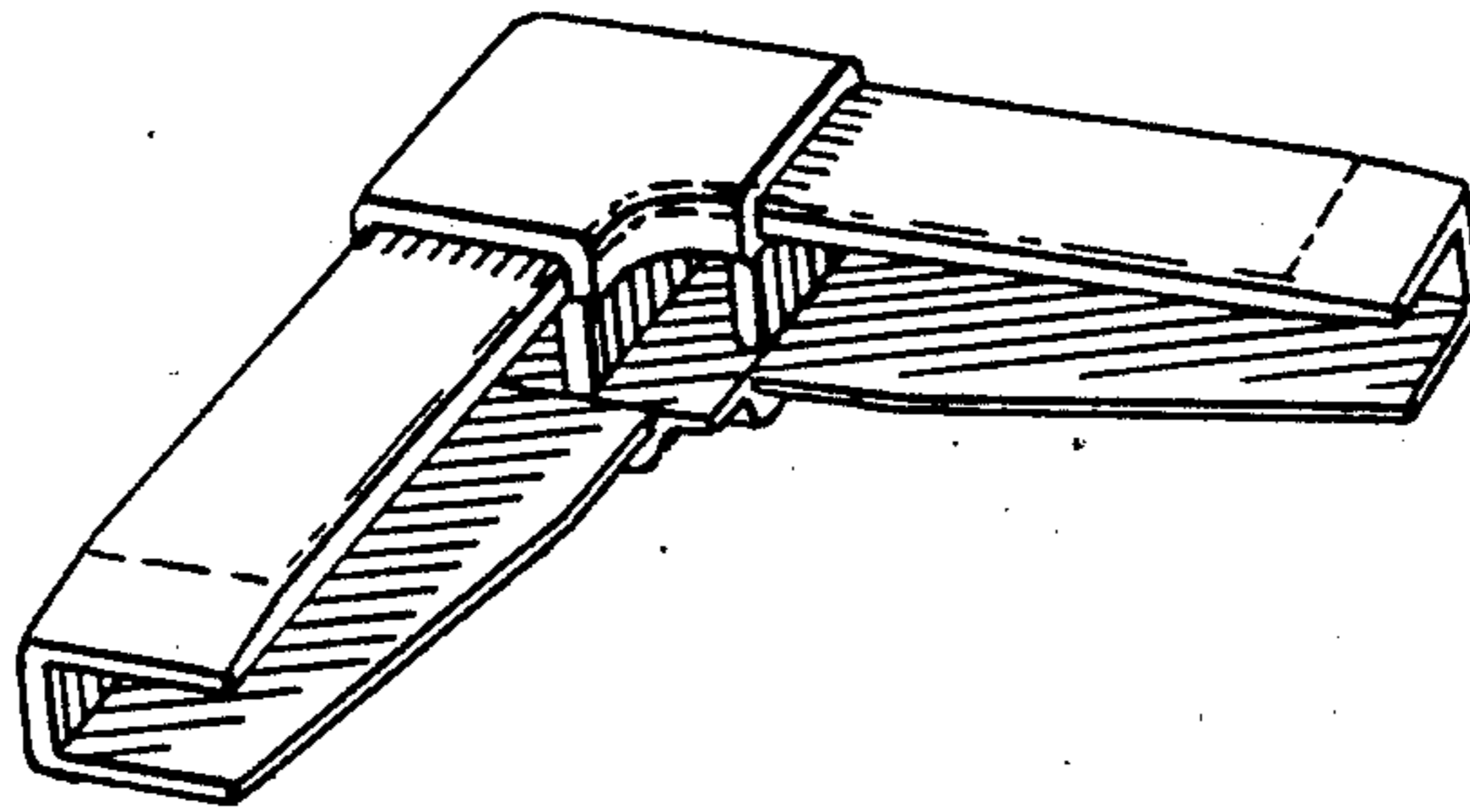
Primary Examiner—B. J. Bullock

[57] **CLAIM**

The ornamental design for a frame corner bracket, as shown and described.

DESCRIPTION

FIG. 1 is a front view of the frame corner bracket showing my new design;
 FIG. 2 is a rear view thereof;
 FIG. 3 is an outer side view thereof;
 FIG. 4 is an inner side view taken from the right of FIG. 1;
 FIG. 5 is an inner side view taken from the bottom of FIG. 1; and
 FIG. 6 is a perspective view thereof.



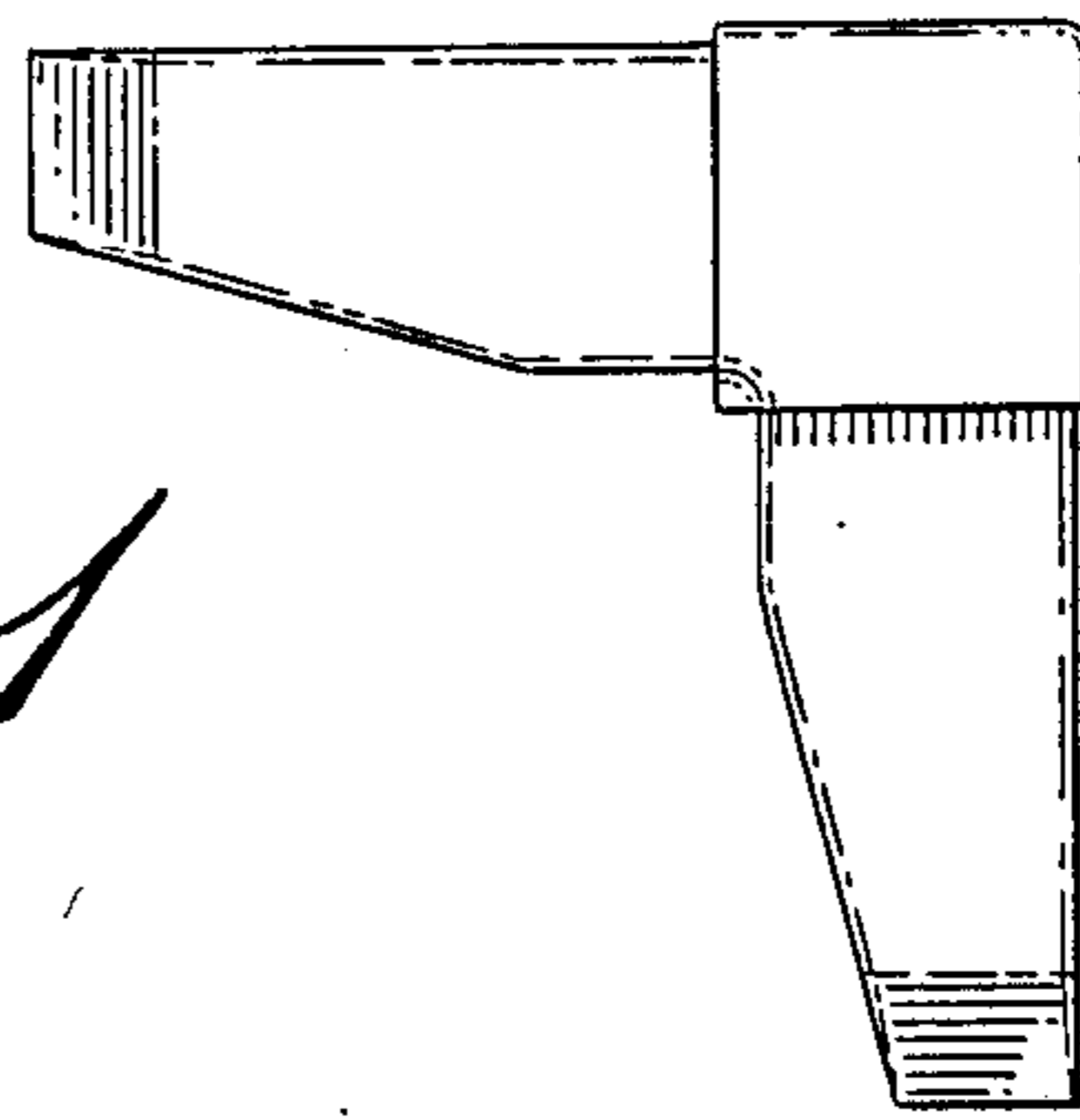


Fig. 1

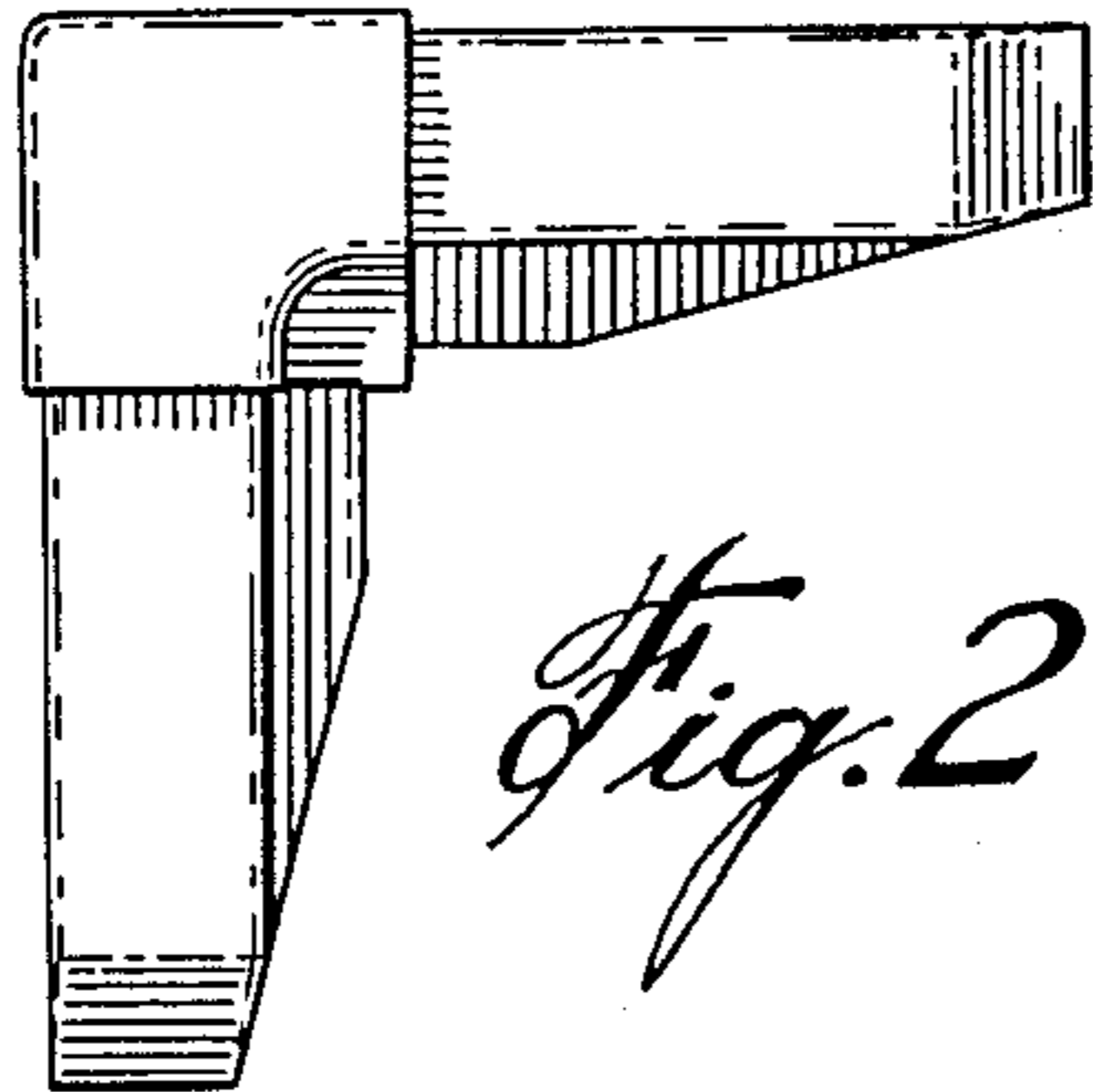


Fig. 2

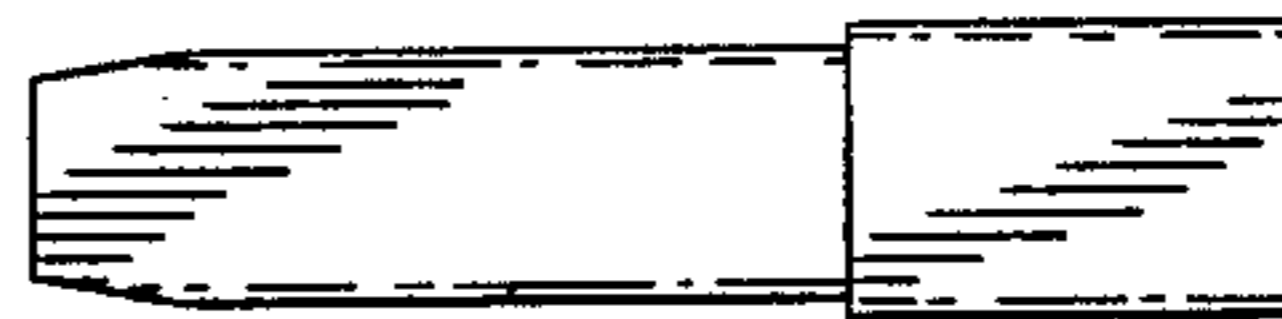


Fig. 3

Fig. 4

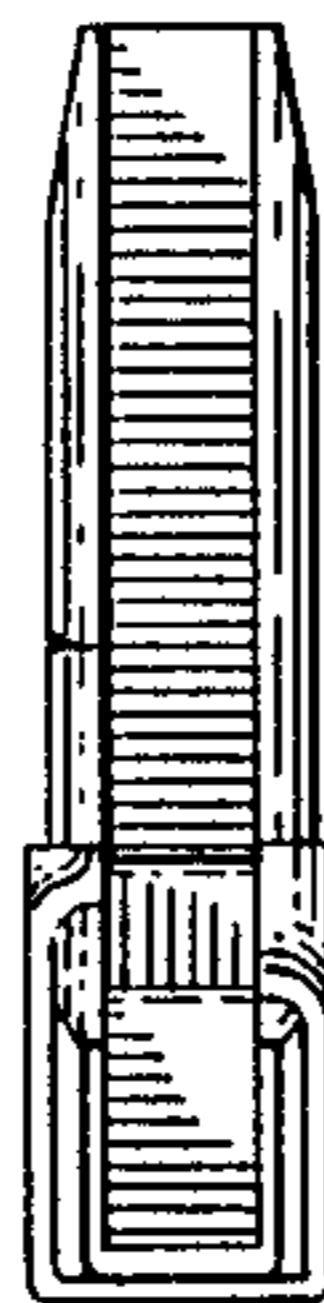


Fig. 5

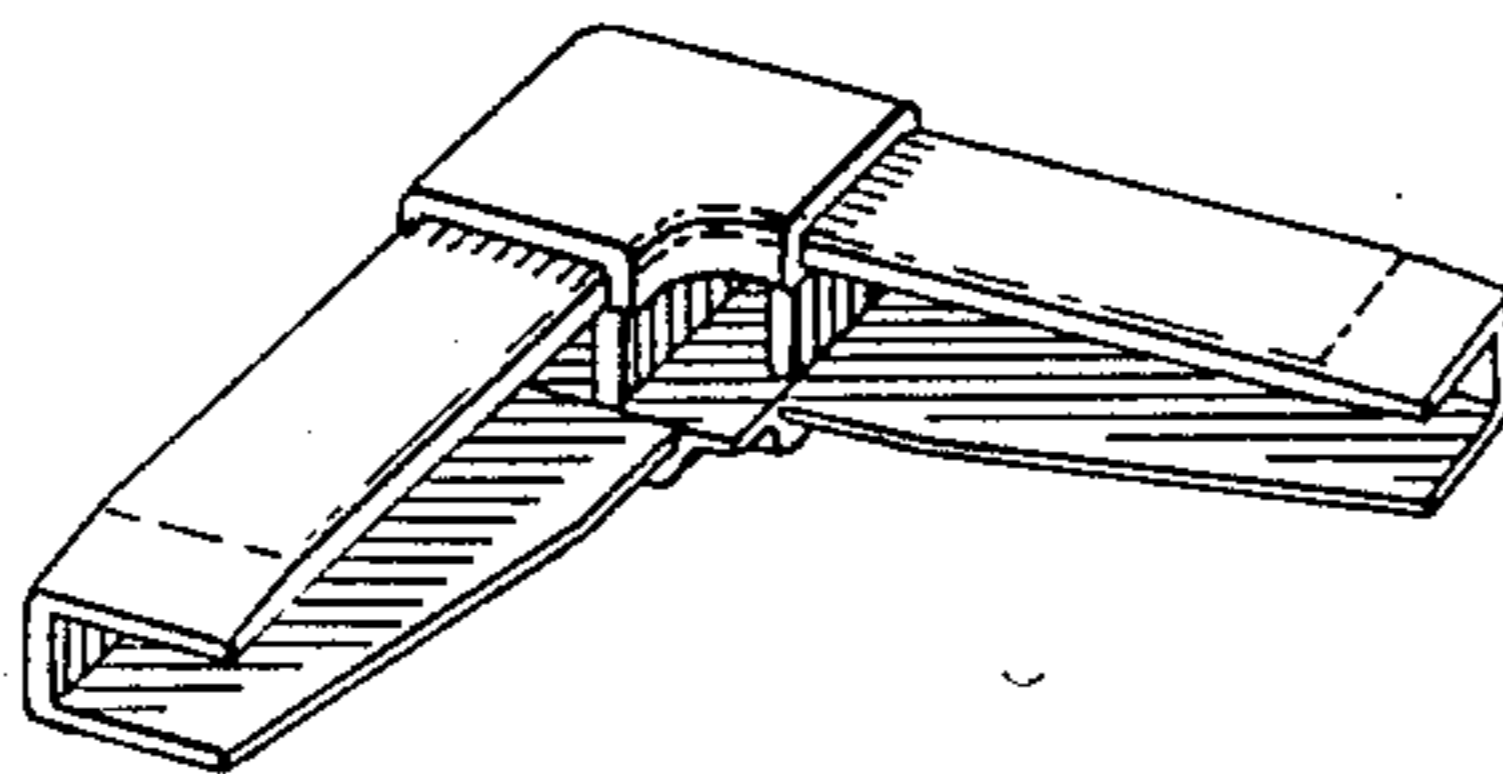


Fig. 6