

[54] **DISKETTE STORAGE CONTAINER**

4,684,019 8/1987 Egly 206/444 X

[75] **Inventor: Robert Pollack, Culver City, Calif.**

Primary Examiner—Nelson C. Holtje

Assistant Examiner—Y. Brunot

[73] **Assignee: MicroComputer Accessories, Inc.,
Los Angeles, Calif.**

Attorney, Agent, or Firm—Richard B. O'Planick

[**] **Term: 14 Years**

[57] **CLAIM**

The ornamental design for a diskette storage container,
a shown and described.

[21] **Appl. No.: 879,556**

DESCRIPTION

[22] **Filed: Jun. 27, 1986**

[52] **U.S. Cl. D3/35**

[58] **Field of Search D3/35; 206/444, 445**

FIG. 1 is a perspective view of a diskette storage con-
tainer showing my new design;

FIG. 2 is a front elevational view;

FIG. 3 is a rear elevational view;

FIG. 4 is a left side elevational view, the opposite side
being a mirror image thereof;

FIG. 5 is a top plan view;

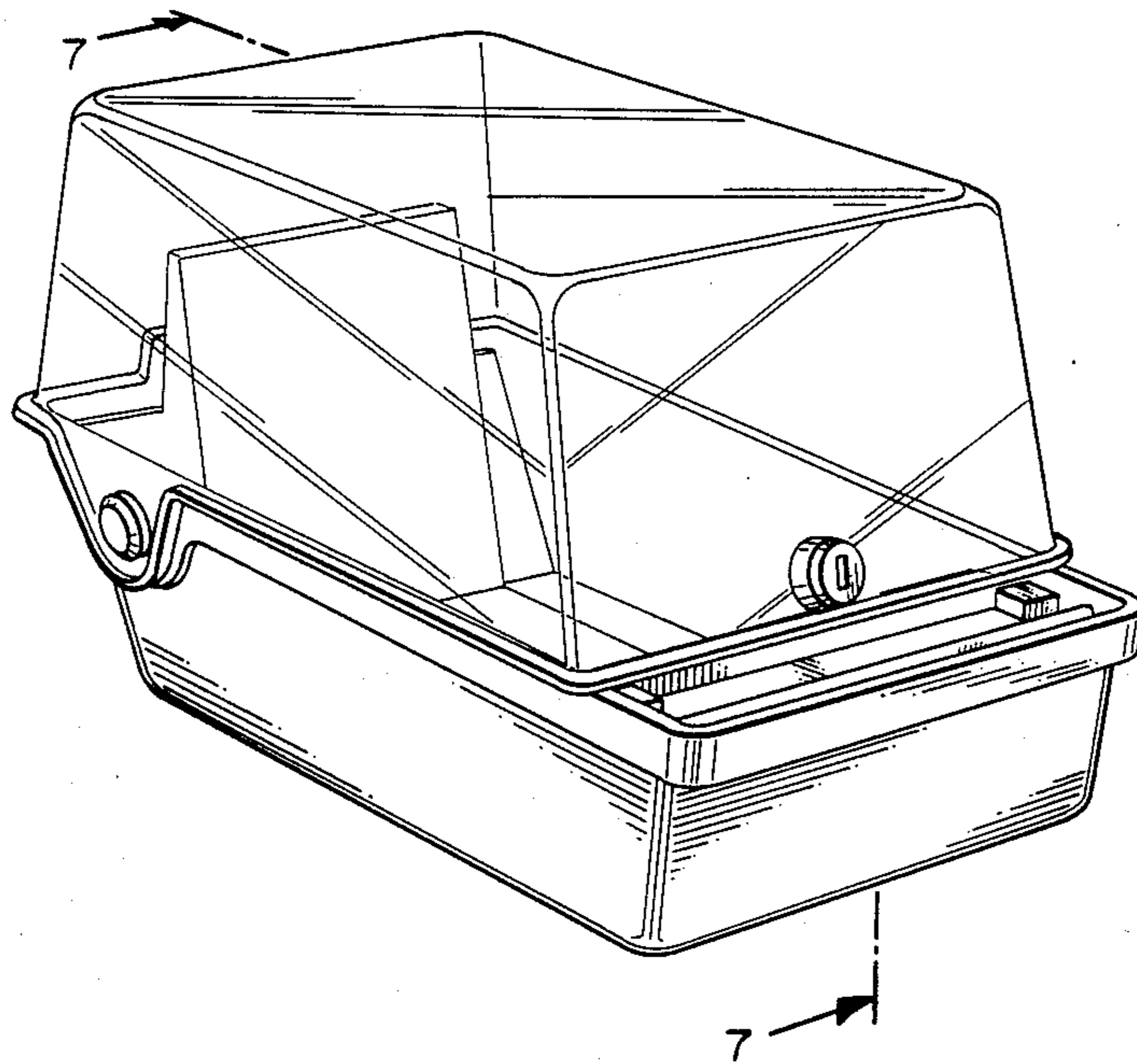
FIG. 6 is a bottom plan view;

FIG. 7 is an enlarged cross-sectional view taken along
line 7—7 in FIG. 1.

[56] **References Cited**

U.S. PATENT DOCUMENTS

D. 283,902	5/1986	Goertz	D3/35 X
D. 287,544	1/1987	Long et al.	D3/35
D. 287,545	1/1987	Long et al.	D3/35
D. 288,145	2/1987	Northrup et al.	D3/35



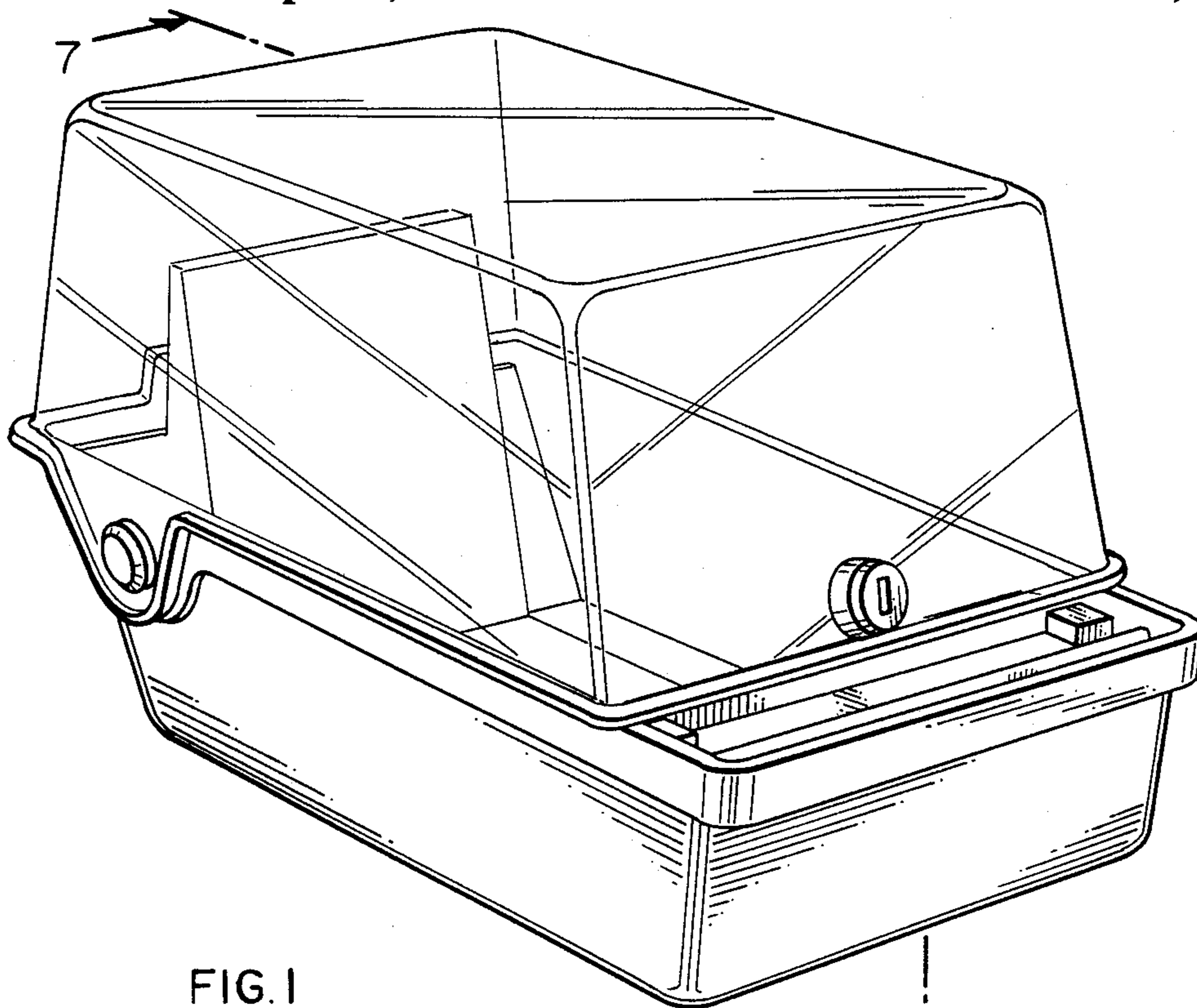


FIG. 1

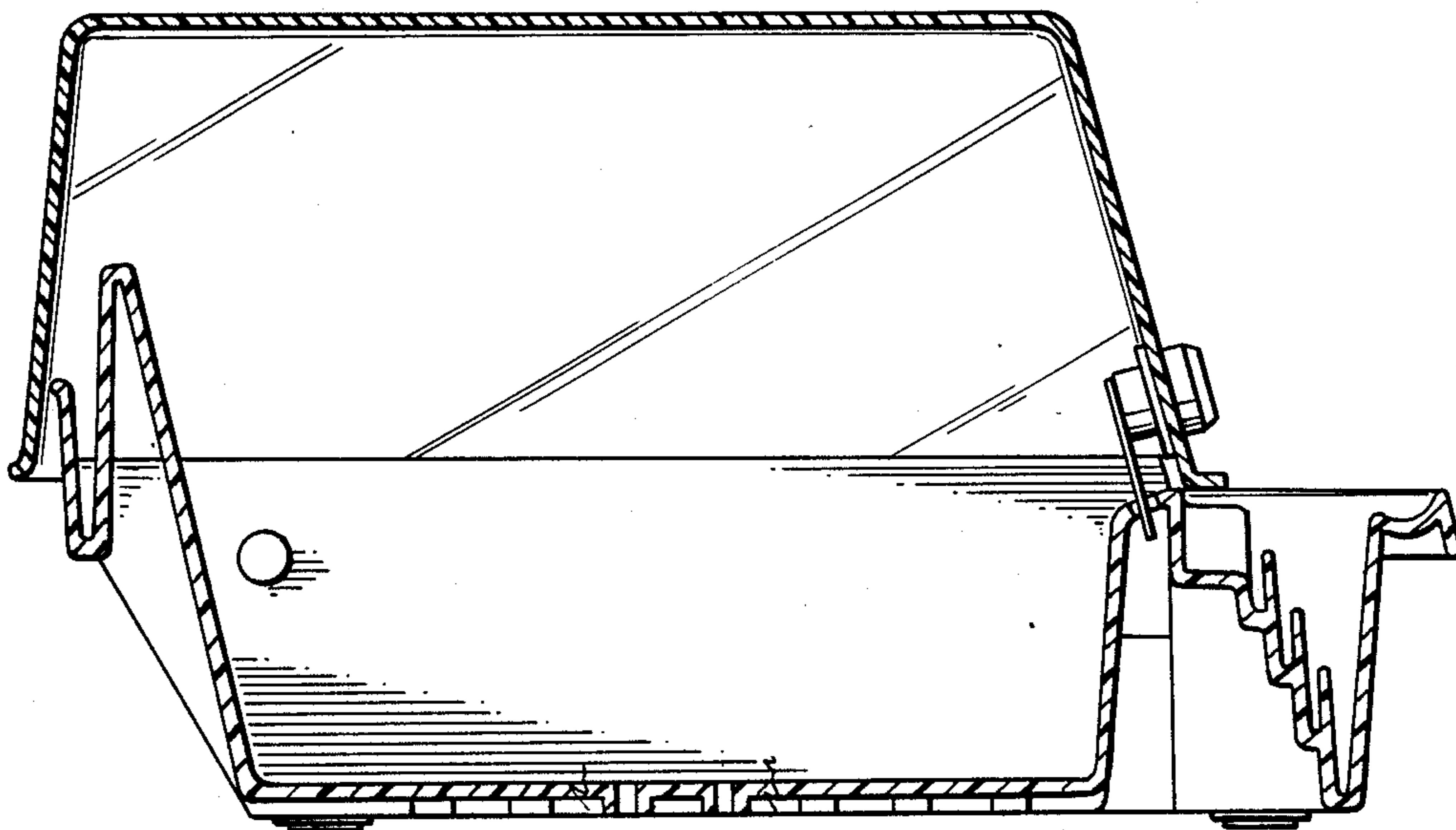


FIG. 7

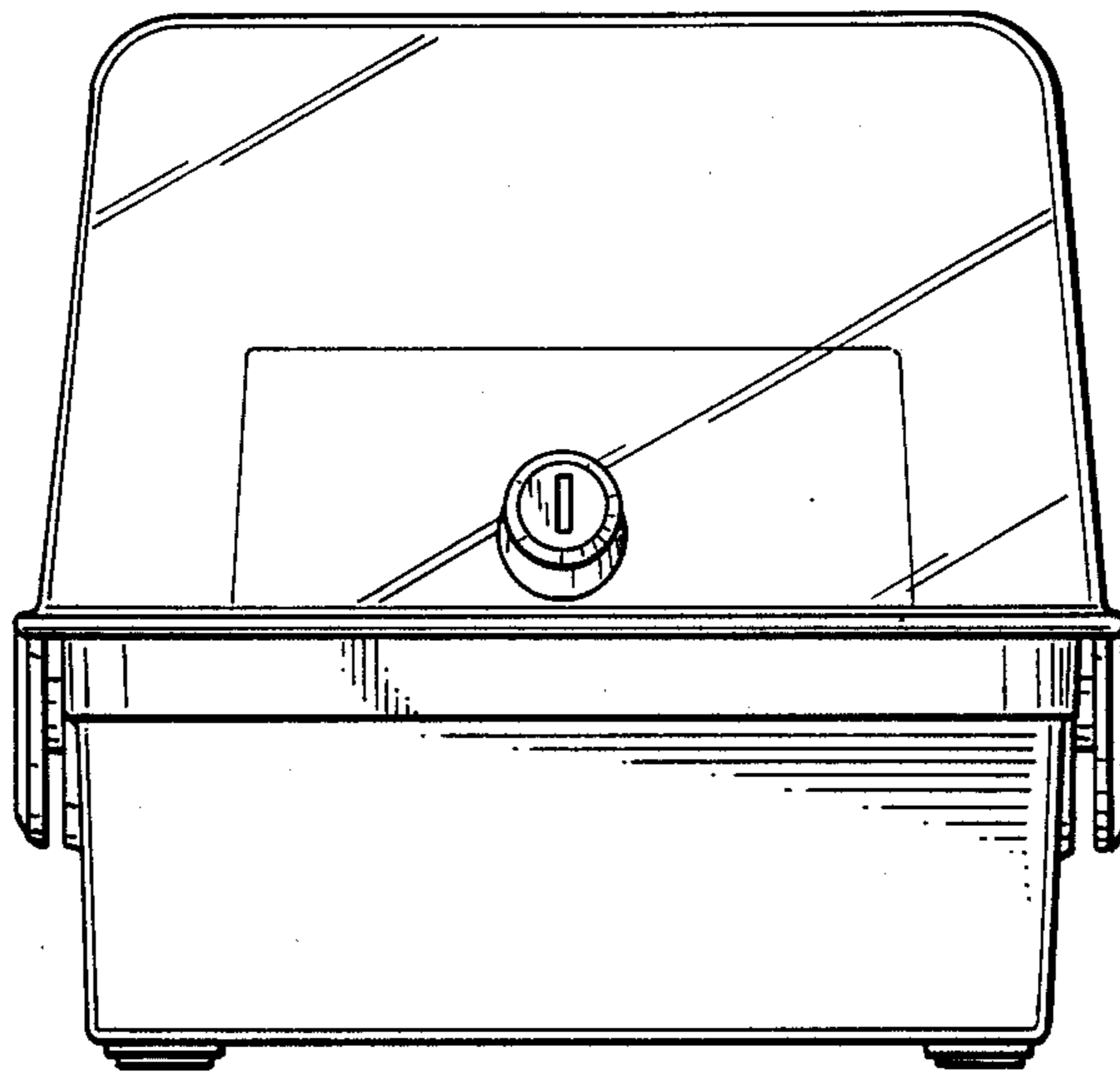


FIG. 2

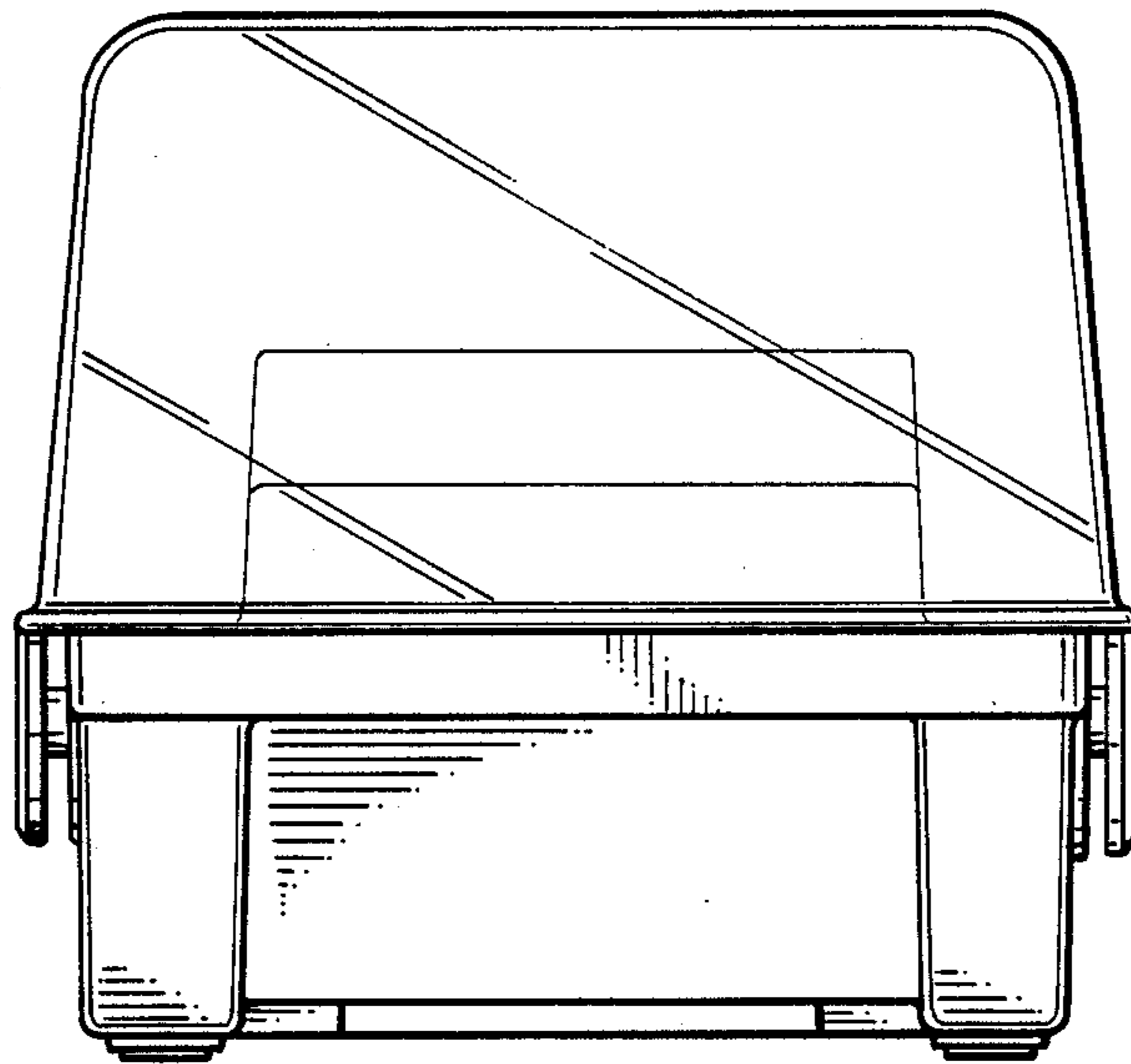


FIG. 3

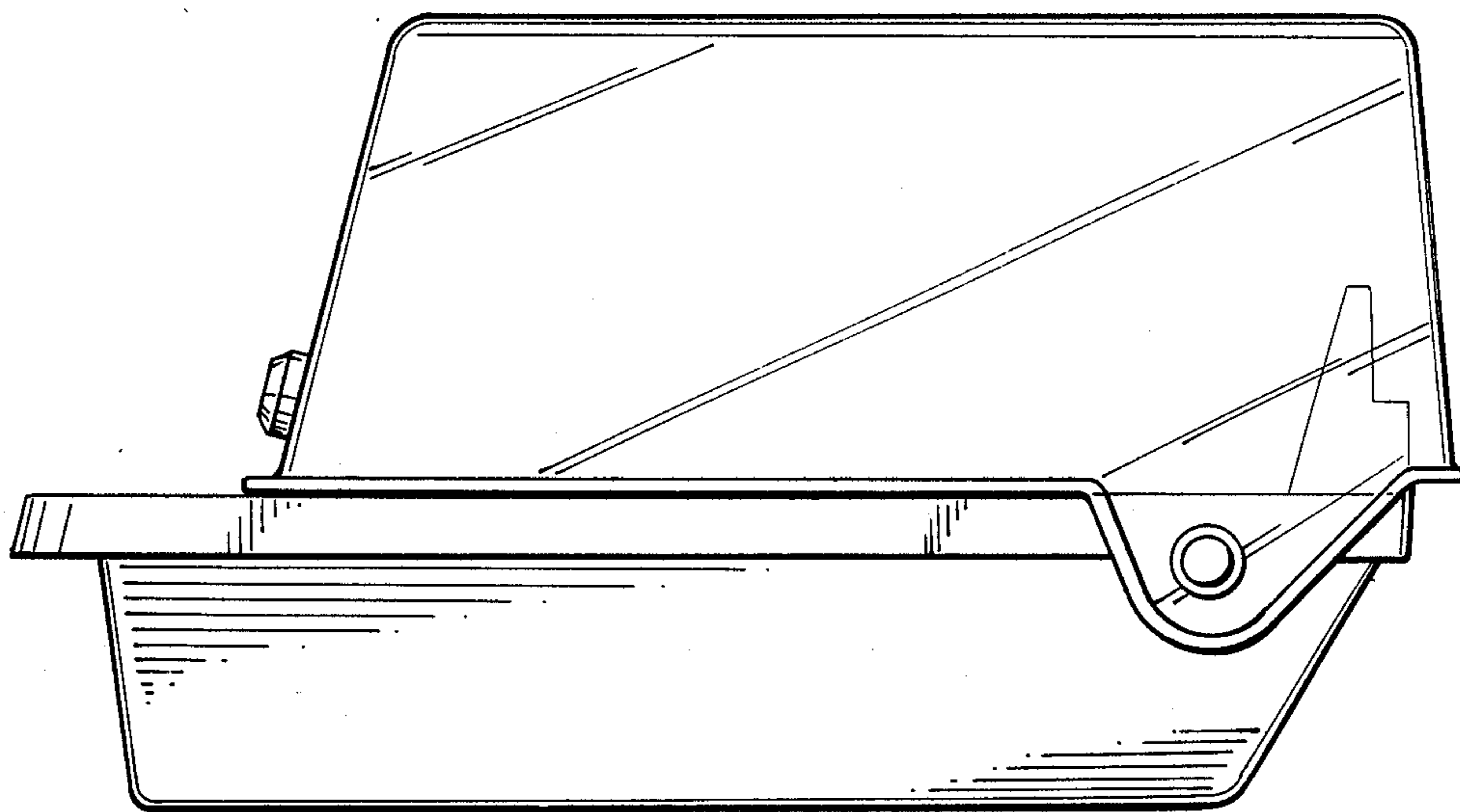


FIG. 4

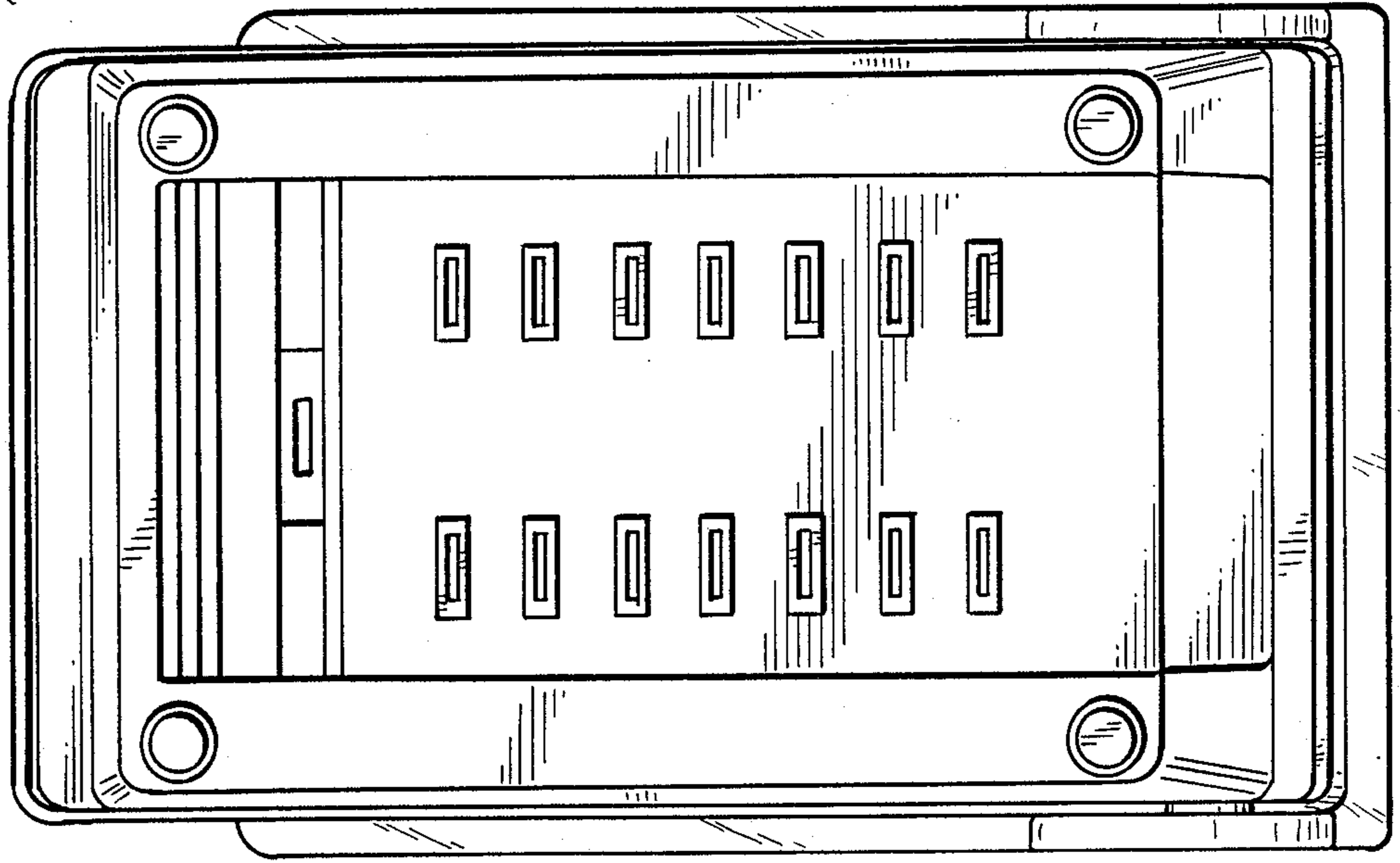


FIG. 6

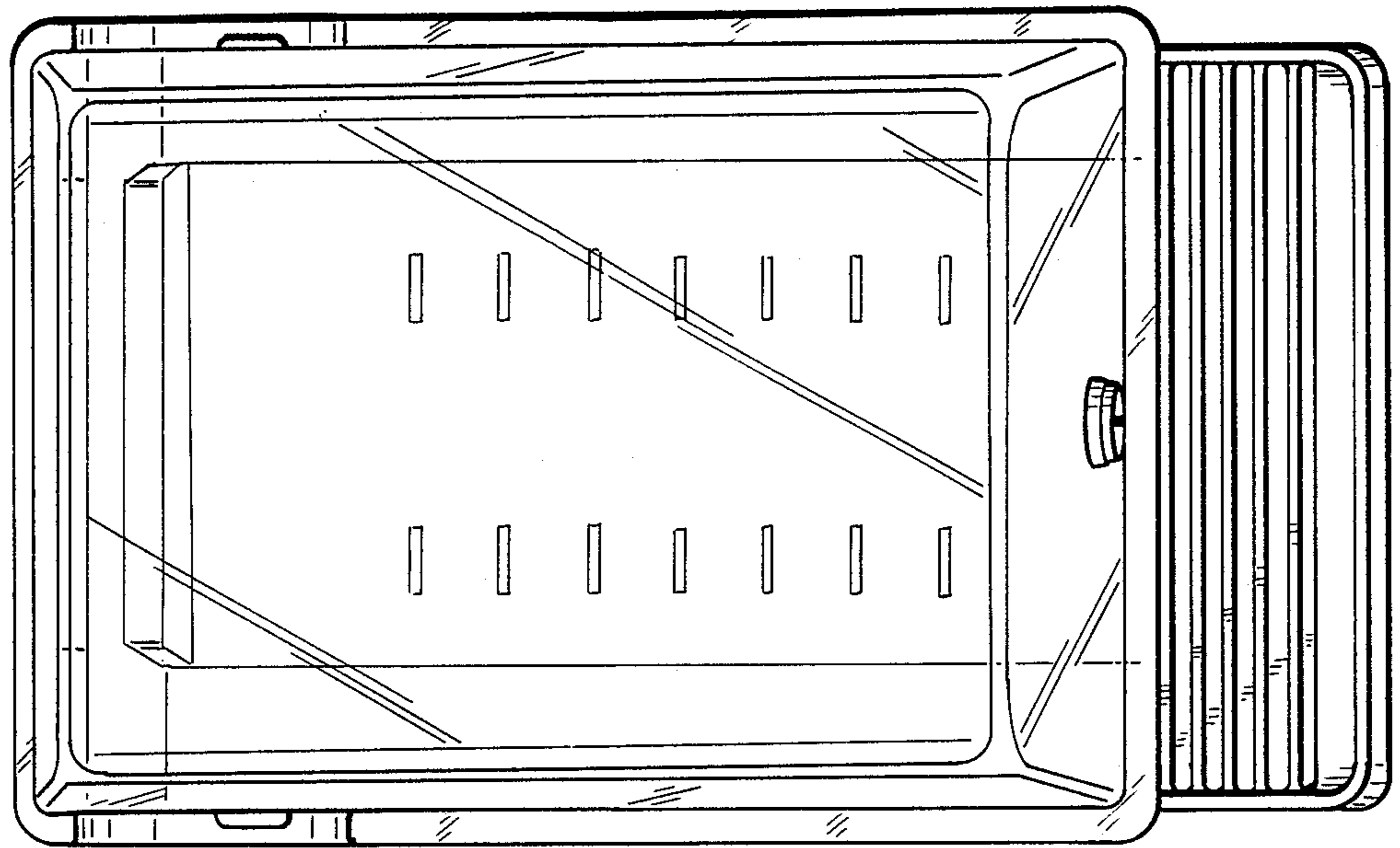


FIG. 5