

[54] COMBINED FLOOR SCRUBBER AND POLISHER

[75] Inventor: Sidney H. Bradd, Solon, Ohio

[73] Assignee: The Hoover Company, North Canton, Ohio

[**] Term: 14 Years

[21] Appl. No.: 72,611

[22] Filed: Jul. 13, 1987

[52] U.S. Cl. D32/15

[58] Field of Search D32/1, 15-16, D32/19-20, 25, 29; 15/49 R, 49 C, 50 R, 50 C, 78, 79 R, 79 A, 81-83, 87, 107, 179-180, 339, 340.1-340.4, 344; 51/170 T, 177

[56] References Cited

U.S. PATENT DOCUMENTS

- D. 125,653 3/1941 Vetter .
- D. 152,948 3/1949 Dolan .
- D. 156,689 1/1950 Atkin .
- D. 166,572 4/1952 Pond .
- D. 169,372 4/1953 Holt .
- D. 192,554 4/1962 Holt .
- D. 193,653 9/1962 Harris .
- D. 205,444 8/1966 Storm, Jr. D32/19
- D. 205,758 9/1966 Storm, Jr. .
- D. 231,246 4/1974 Sundberg D32/19
- D. 251,007 2/1979 Burgoon .

- D. 269,557 6/1983 Cook, Jr. D32/19
- D. 282,110 1/1986 Tucker et al. D32/19
- D. 296,250 6/1988 Genovese D32/19

OTHER PUBLICATIONS

Hoover Floor Machines, Models C5023, C5025 and C5027.
Kent KF Series Floor Machines, 1983.
Kent KF 1755A & KF 2055A, 1984.
Advance Machine Co., "Wizard II Burnisher", 1982.

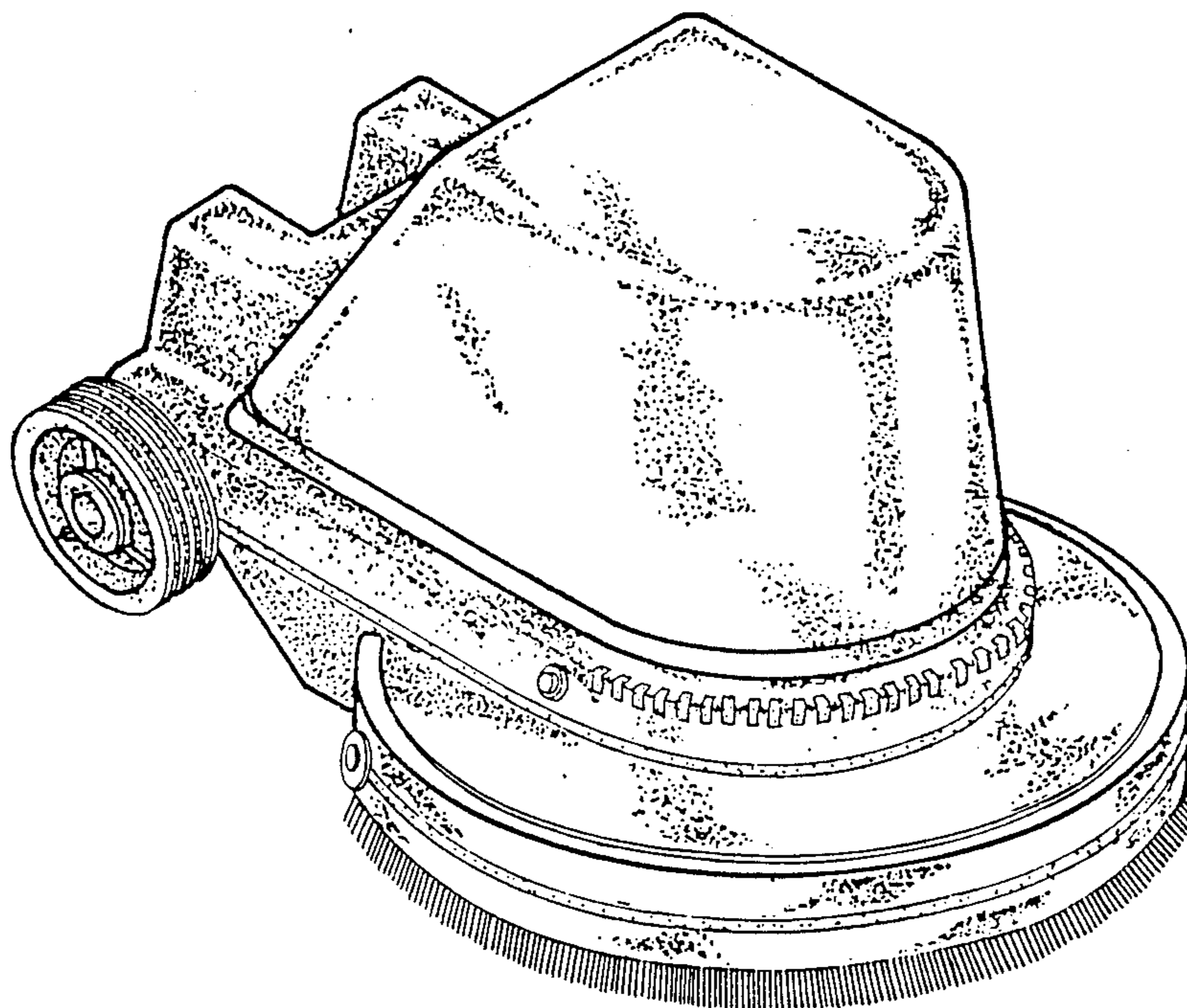
Primary Examiner—Nelson C. Holtje
Assistant Examiner—Ruth Takemoto

[57] CLAIM

The ornamental design for a combined floor scrubber and polisher, as shown and described.

DESCRIPTION

FIG. 1 is a top, front and left side perspective view of a combined floor scrubber and polisher machine base showing my new design;
FIG. 2 is a right side elevational view thereof, the left side being a mirror image of the right side;
FIG. 3 is a front elevational view thereof;
FIG. 4 is a rear elevational view thereof;
FIG. 5 is a top plan view thereof; and
FIG. 6 is a bottom plan view thereof.
The lines shown on the brush in FIGS. 2-4 are understood to repeat throughout the indicated area.



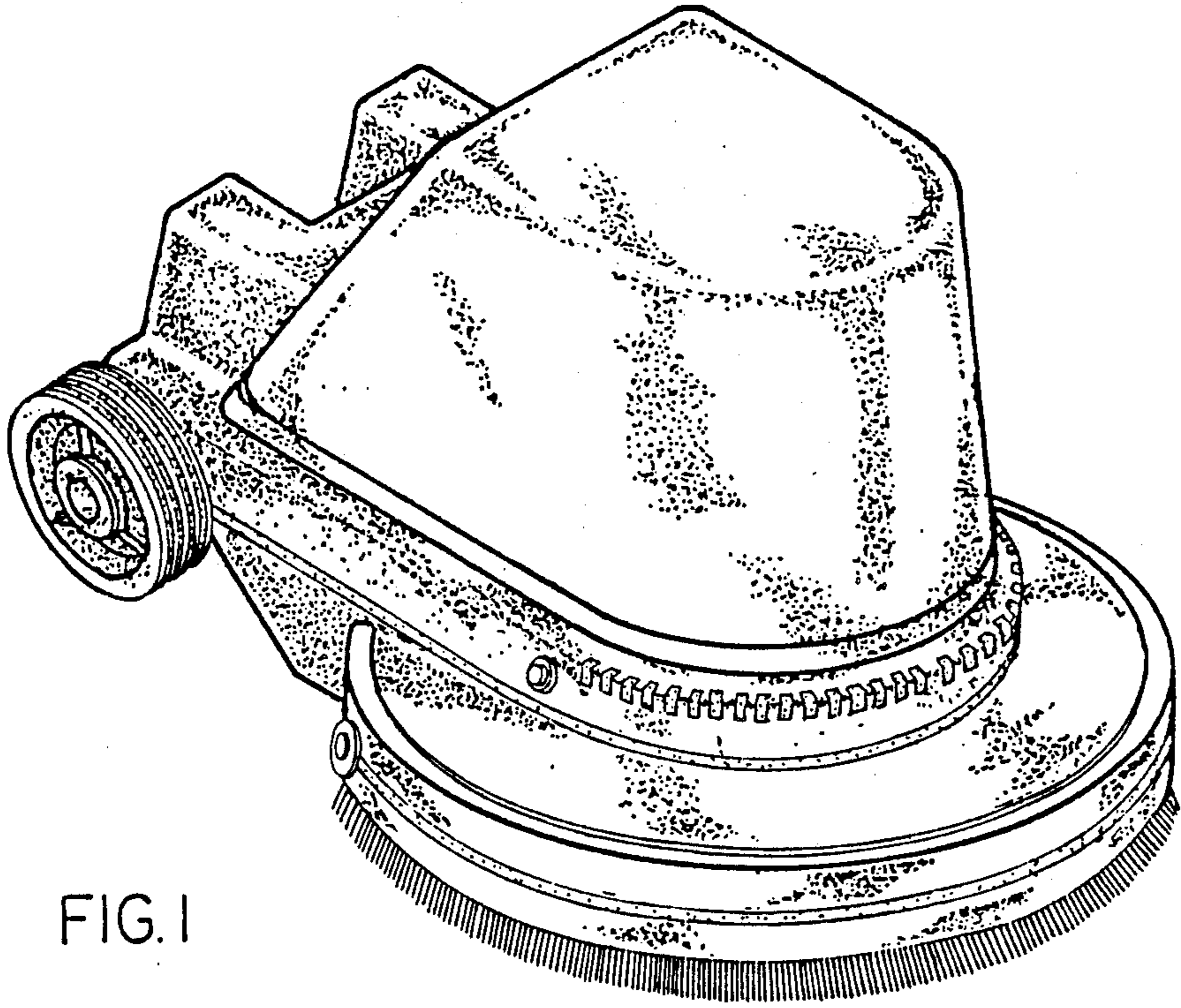


FIG. 1

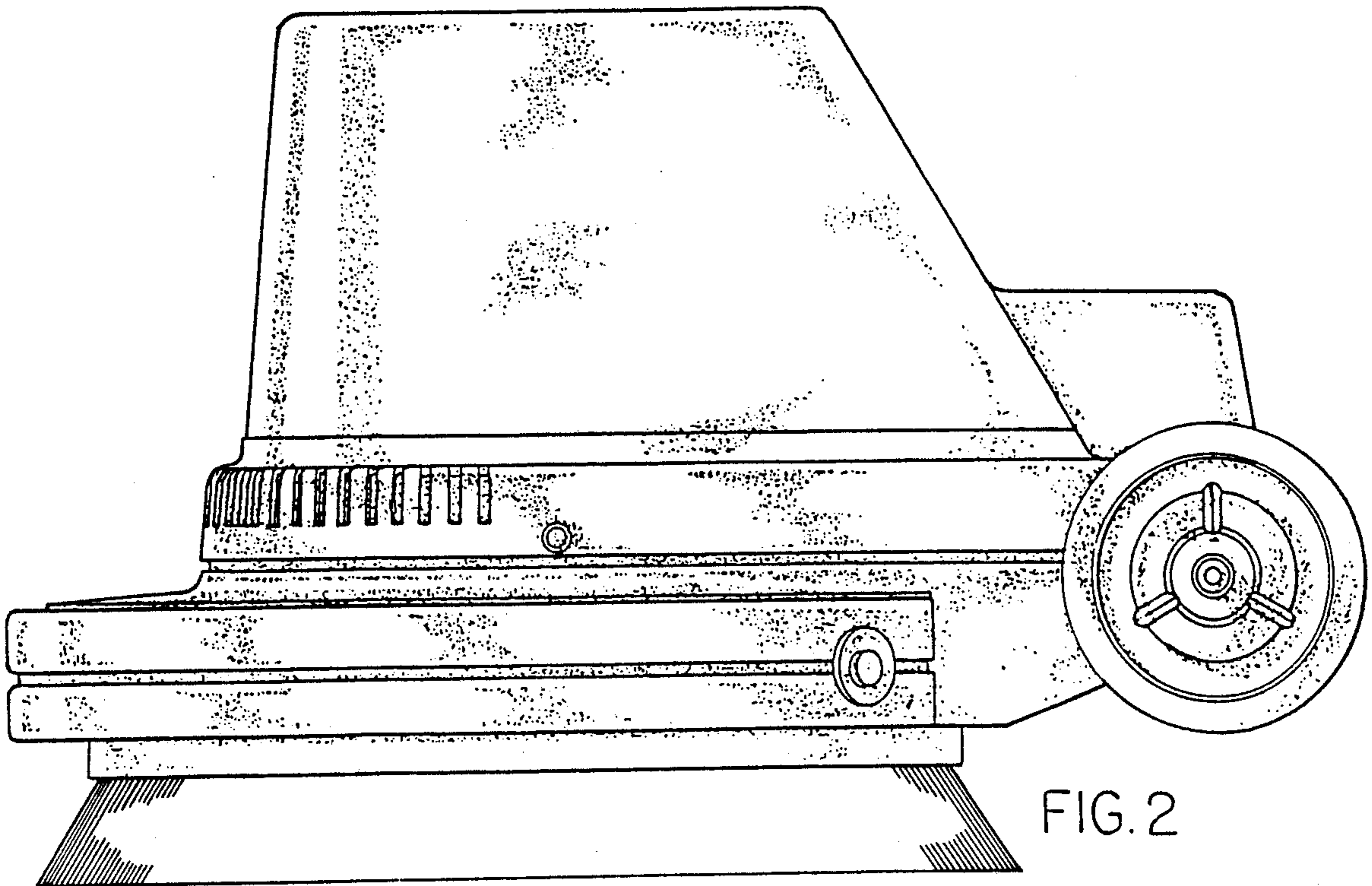


FIG. 2

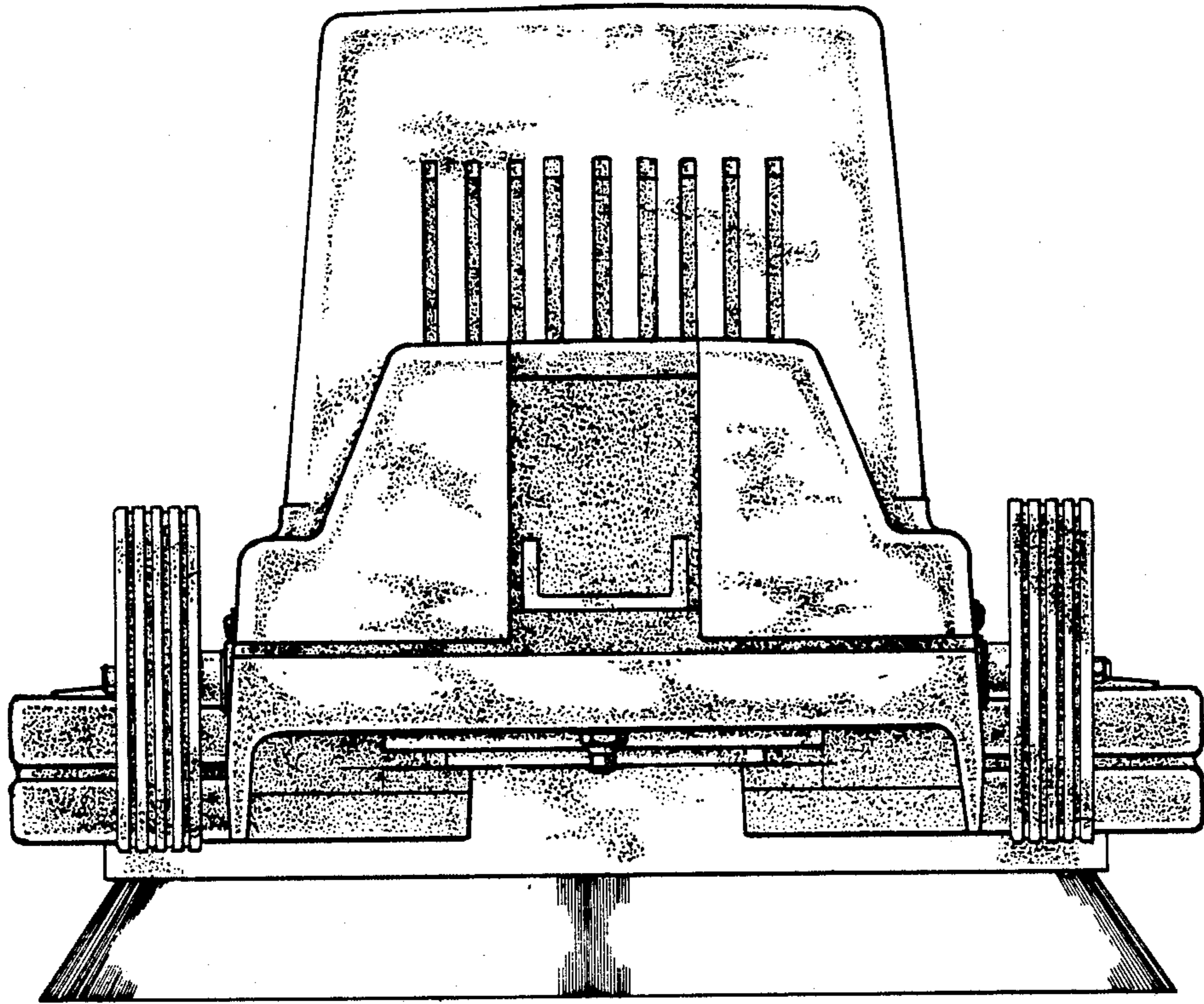


FIG. 4

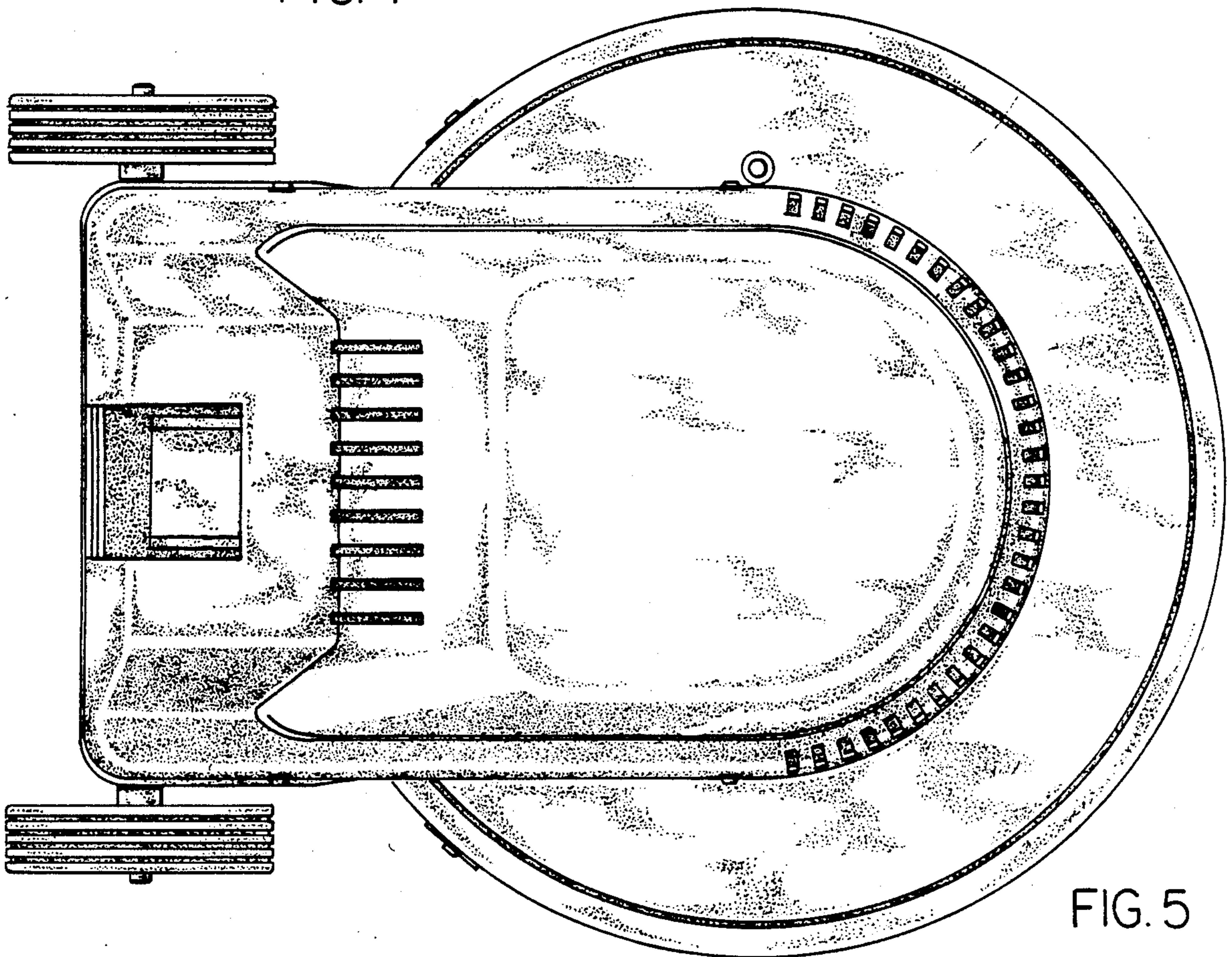


FIG. 5

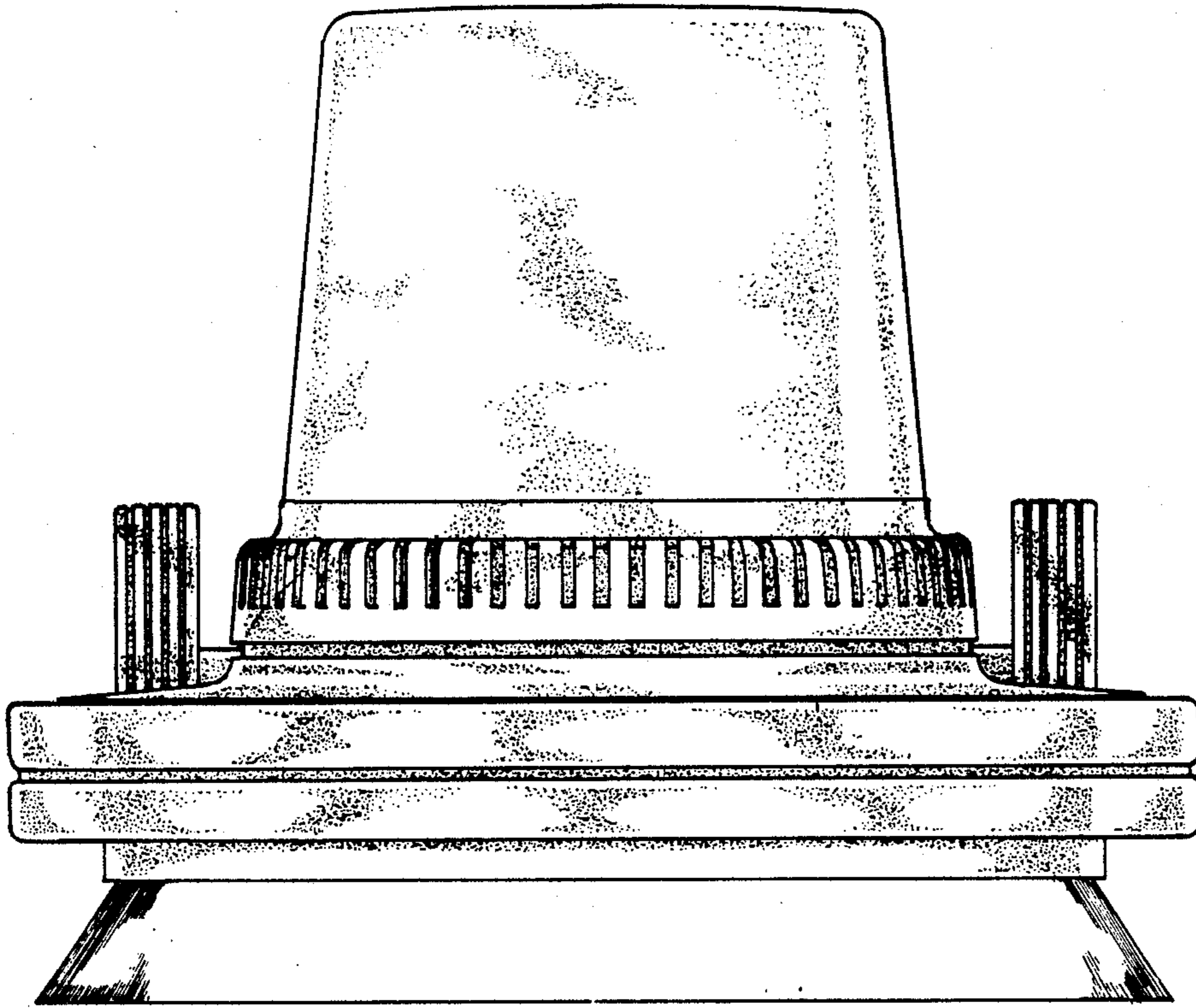


FIG. 3

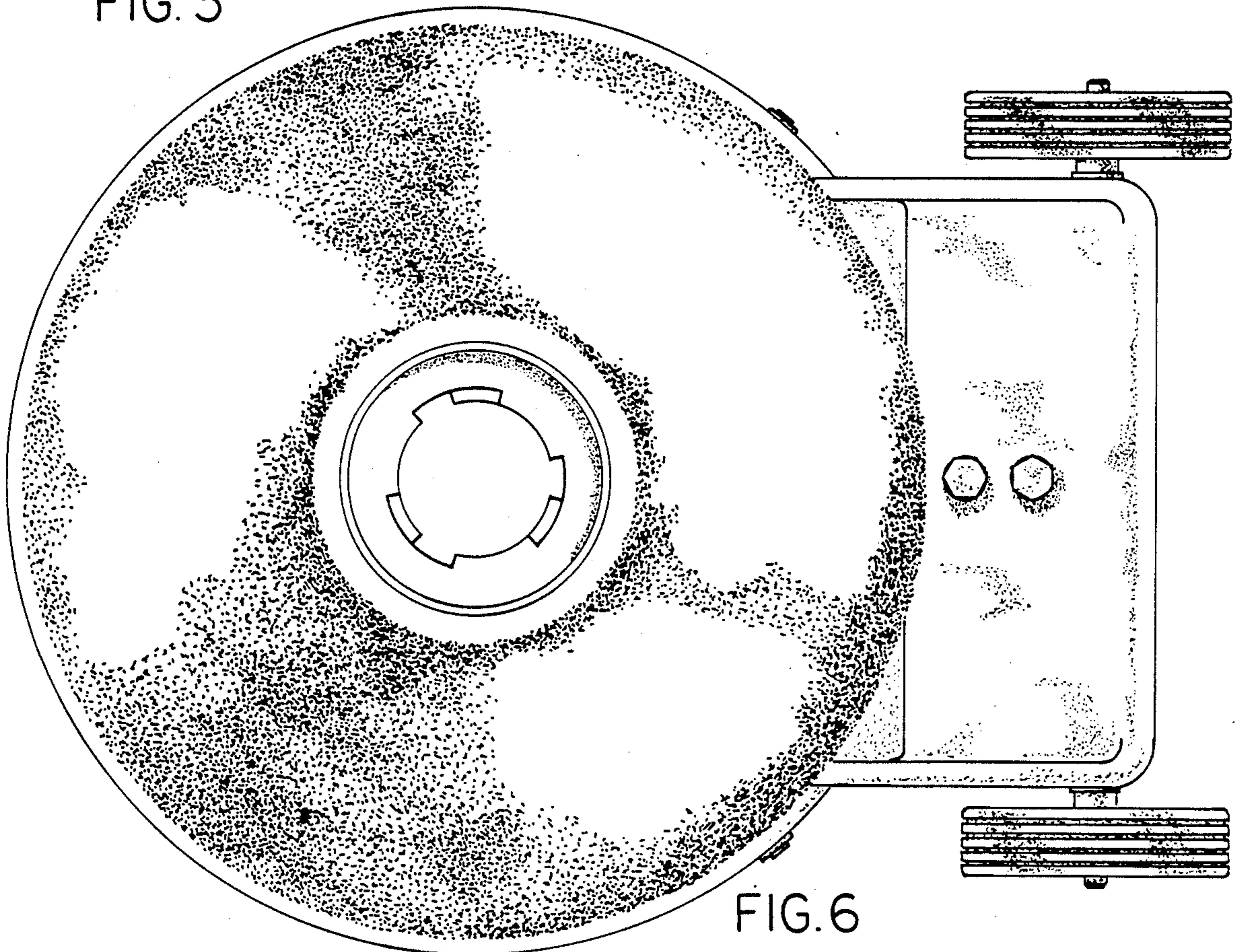


FIG. 6