

[54] SUSPENDED LAMP

13338 of 1887 United Kingdom 362/407

[75] Inventor: Simon Fraser, Zell Am See, Austria

OTHER PUBLICATIONS

[73] Assignee: Artemide Litech S.p.A., Pregnana Milanese Mi, Italy

Design, 9-1981, p. 63, "Conus" Spotlight. Domus, 5-1977, inside front cover, Hanging Lamp.

[**] Term: 14 Years

Primary Examiner—Susan J. Lucas
Attorney, Agent, or Firm—Guido Modiano; Albert Josif

[21] Appl. No.: 24,107

[57] CLAIM

[22] Filed: Mar. 9, 1987

The ornamental design for suspended lamp, as shown and described.

[30] Foreign Application Priority Data

DESCRIPTION

Sep. 9, 1986 [IT] Italy 22972/86[U]

[52] U.S. Cl. D26/88; D26/63

[58] Field of Search D26/72, 80-92, D26/118, 128-137; 362/362, 404-408, 432, 147

FIG. 1 is a bottom perspective view of a suspended lamp showing my new design;
FIG. 2 is a side elevational view thereof as seen from the right hand side of FIG. 1 on an enlarged scale, the side seen from the left hand side being a mirror image;
FIG. 3 is a side elevational view thereof as seen from the front of FIG. 1 on an enlarged scale, the opposite side being a mirror image;
FIG. 4 is a top plan view thereof on an enlarged scale;
FIG. 5 is a bottom plan view thereof on an enlarged scale.
The broken lines are shown for illustrative purposes only.

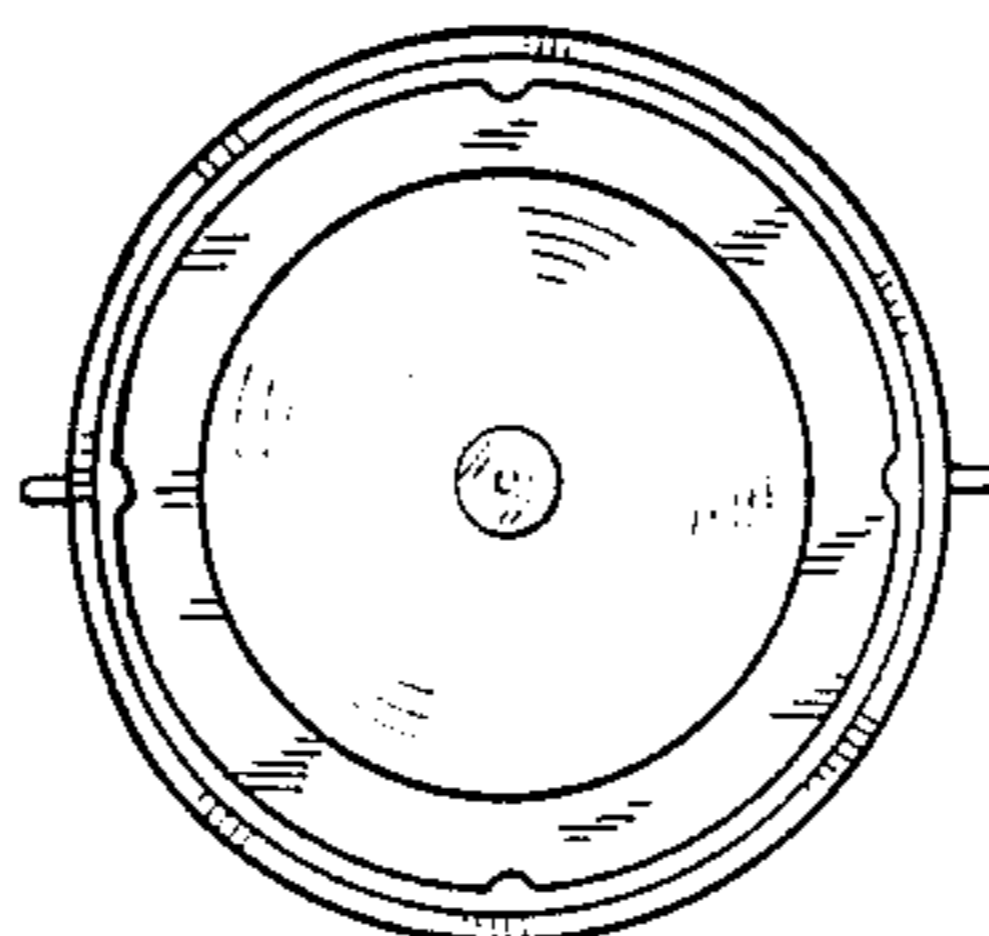
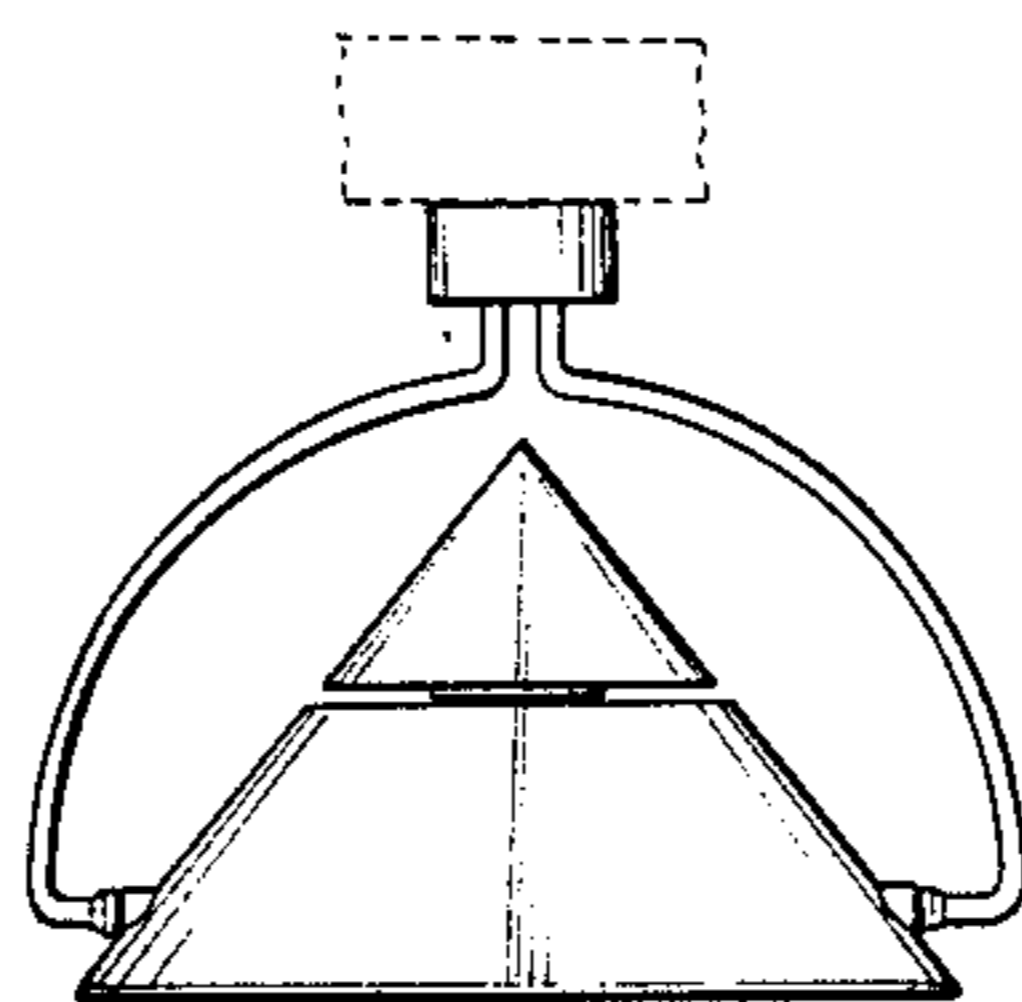
[56] References Cited

U.S. PATENT DOCUMENTS

- D. 178,212 7/1956 Schreckengost D26/89
- D. 202,804 11/1965 Bushcott D26/88 X
- 2,173,325 9/1939 Alexander 362/33

FOREIGN PATENT DOCUMENTS

- 155887 3/1954 Australia 362/33



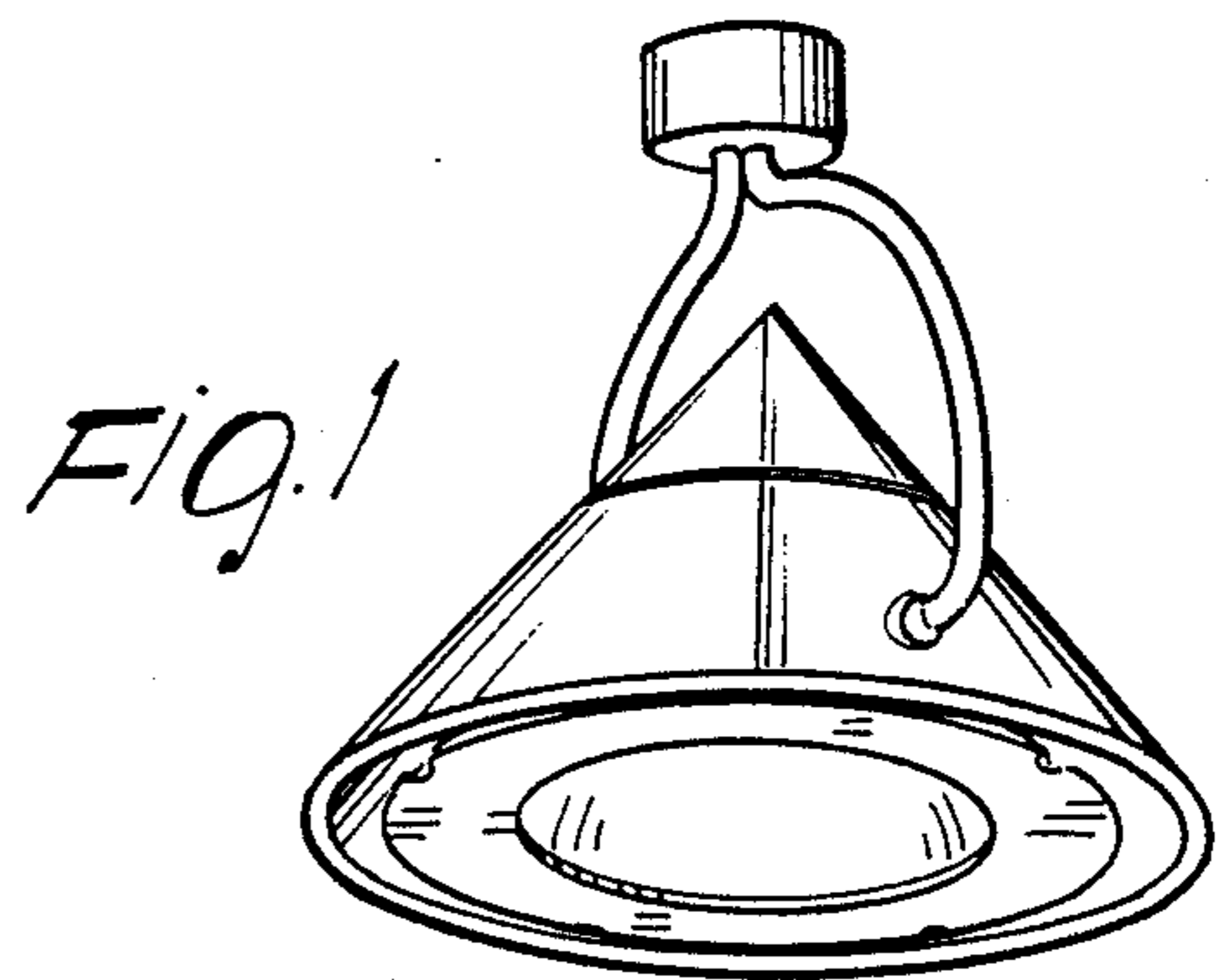


FIG. 1

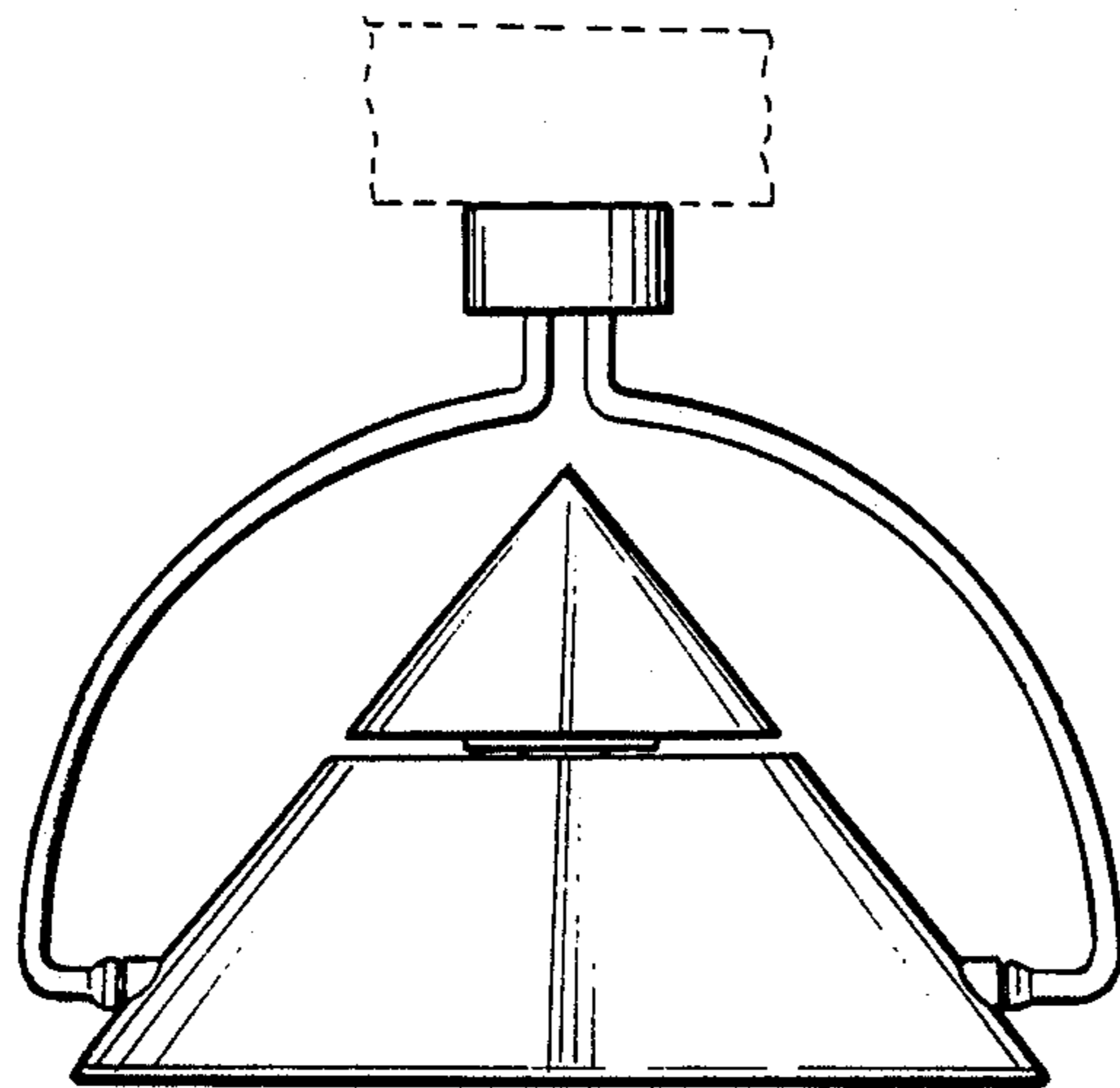


FIG. 2

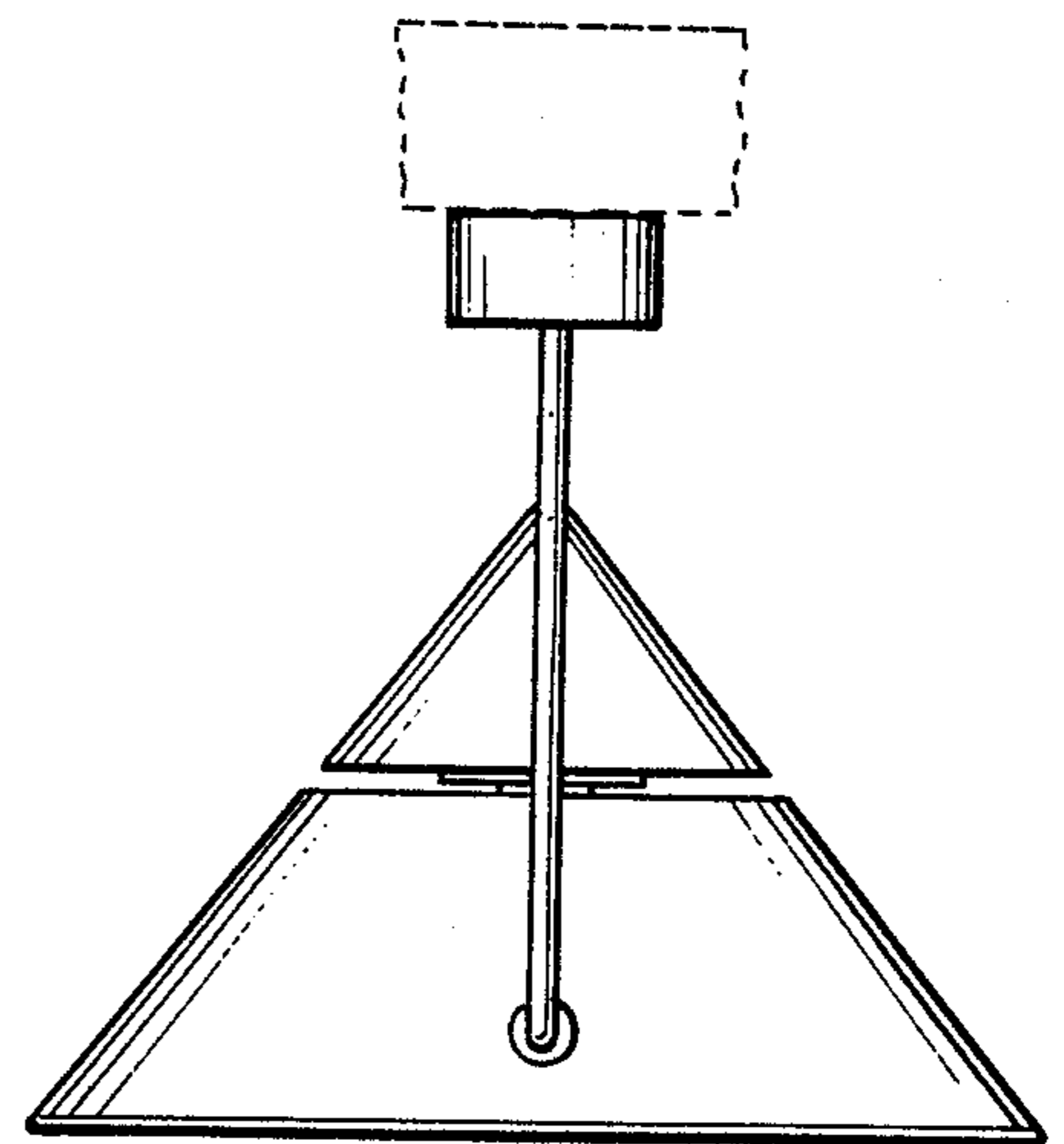


FIG. 3

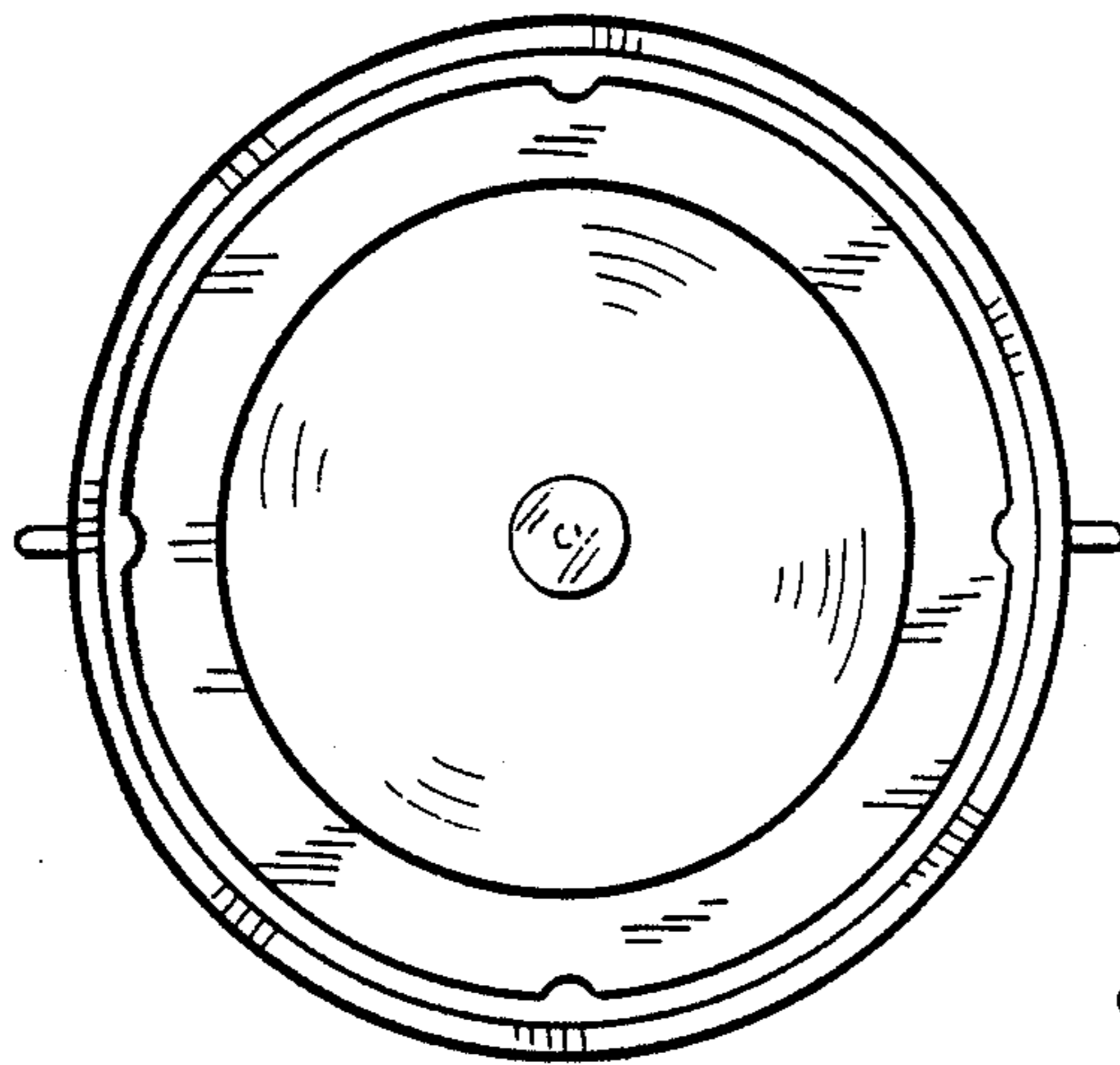


FIG. 5

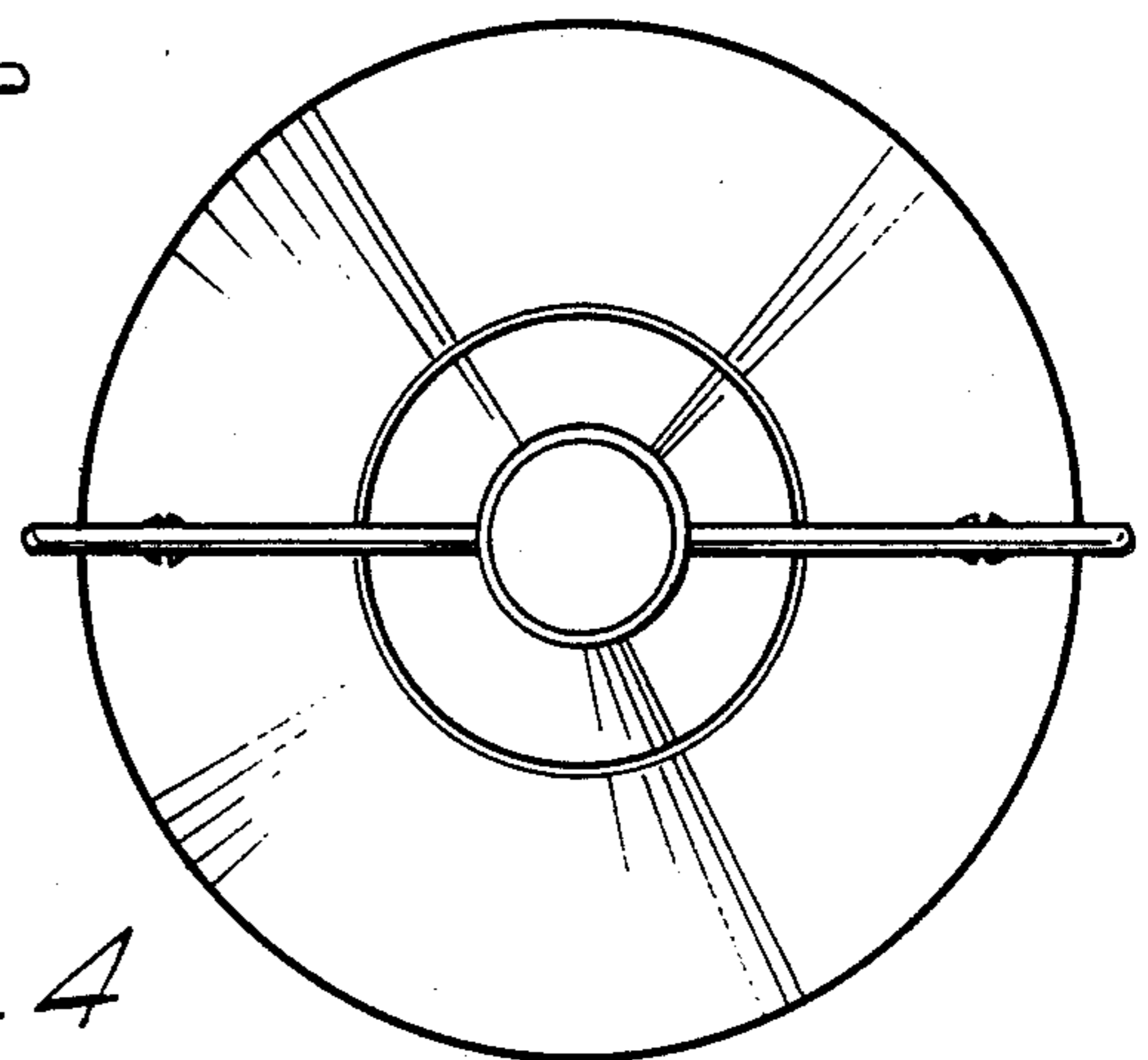


FIG. 4