

[54] RECESSED LIGHTING FIXTURE

[75] Inventor: Donald D. Szymanek, Westlake Village, Calif.

[73] Assignee: Thin-Lite Corporation, Camarillo, Calif.

[**] Term: 14 Years

[21] Appl. No.: 886,749

[22] Filed: Jul. 18, 1986

[52] U.S. Cl. D26/74; D26/76

[58] Field of Search D26/72, 74, 80-97, D26/75, 76, 77; 362/404-408, 232, 362, 364, 222, 223

[56] References Cited

U.S. PATENT DOCUMENTS

D. 227,692	7/1973	Hughes et al.	D26/76
2,770,717	11/1956	Schwartz et al.	362/222
2,897,347	7/1959	Kurtzon	362/223
3,078,366	2/1963	Winkler	362/223
3,560,317	2/1971	Nanny et al.	362/364 X

Primary Examiner—Susan J. Lucas
Attorney, Agent, or Firm—Fulwider, Patton Lee & Utecht

[57] CLAIM

The ornamental design for a recessed lighting fixture, as shown and described.

DESCRIPTION

FIG. 1 is a top, front perspective view of a recessed lighting fixture showing my new design;
 FIG. 2 is a left side elevational view thereof on an enlarged scale;
 FIG. 3 is a right side elevational view thereof on an enlarged scale;
 FIG. 4 is a front elevational view thereof on an enlarged scale, the rear being a mirror image;
 FIG. 5 is a top plan view thereof on an enlarged scale; and
 FIG. 6 is a bottom plan view thereof on an enlarged scale.
 The side and front panels of the lens are shaded to depict transparency.

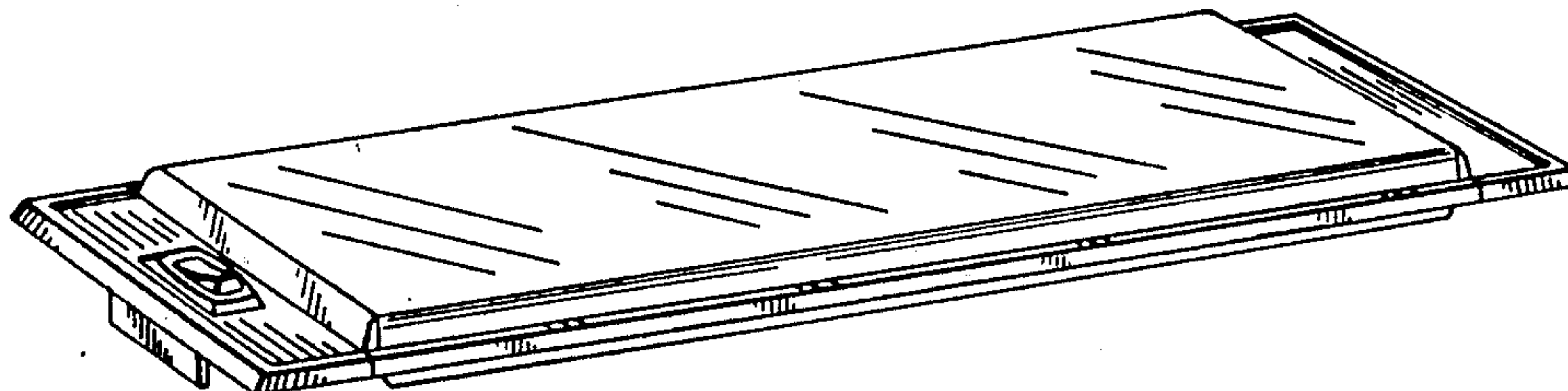


FIG. 1

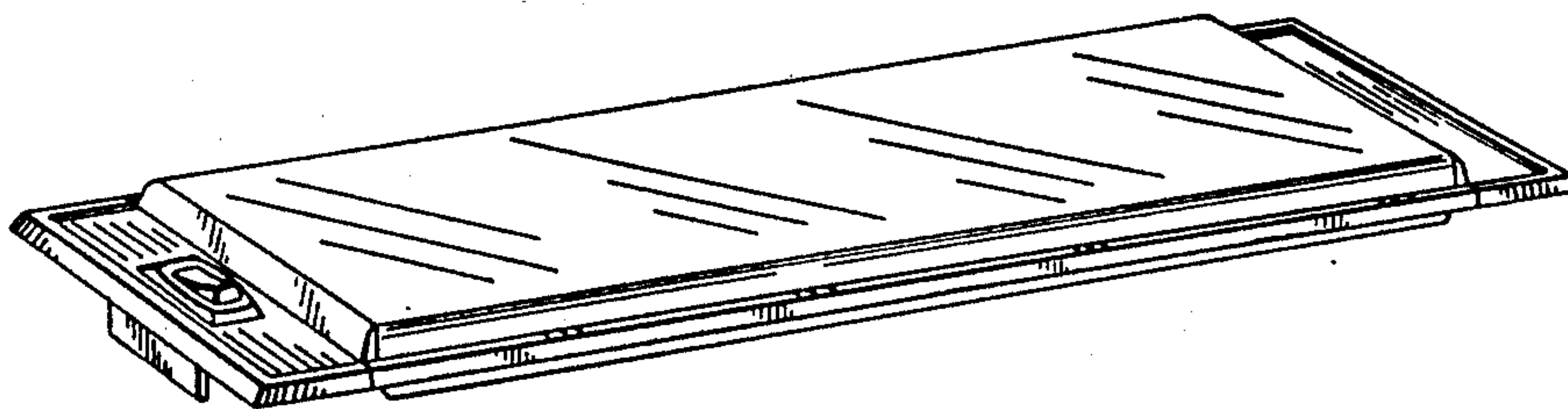


FIG. 2



FIG. 3

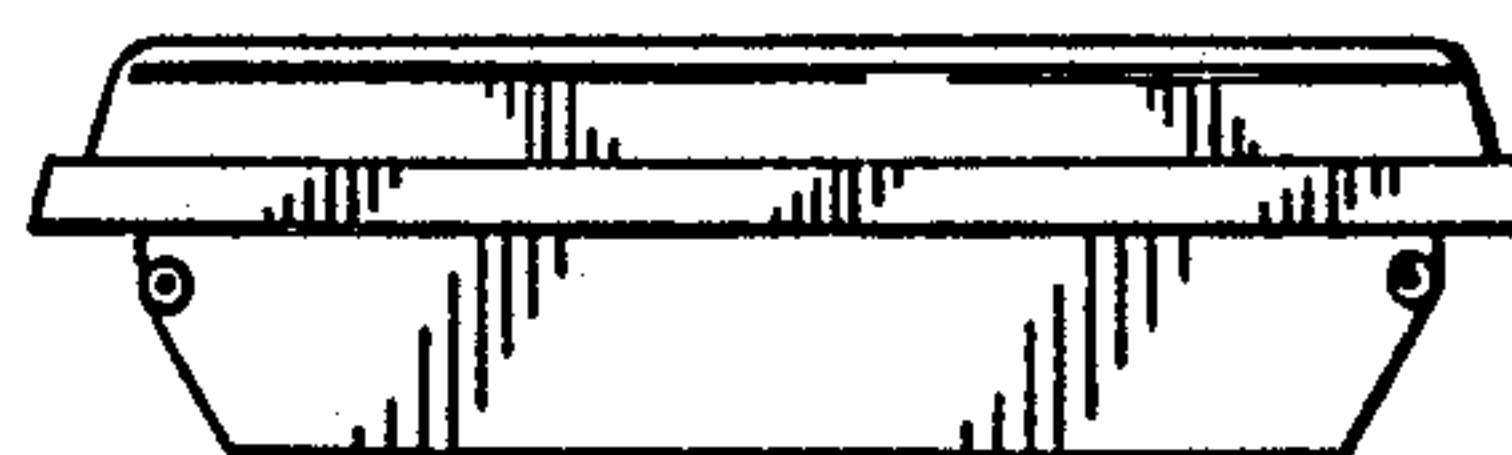


FIG. 4

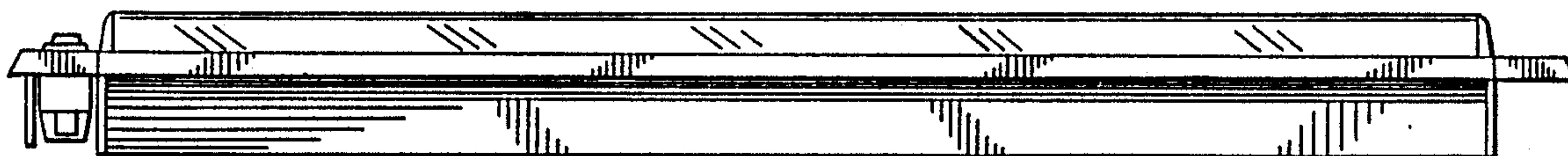


FIG. 5

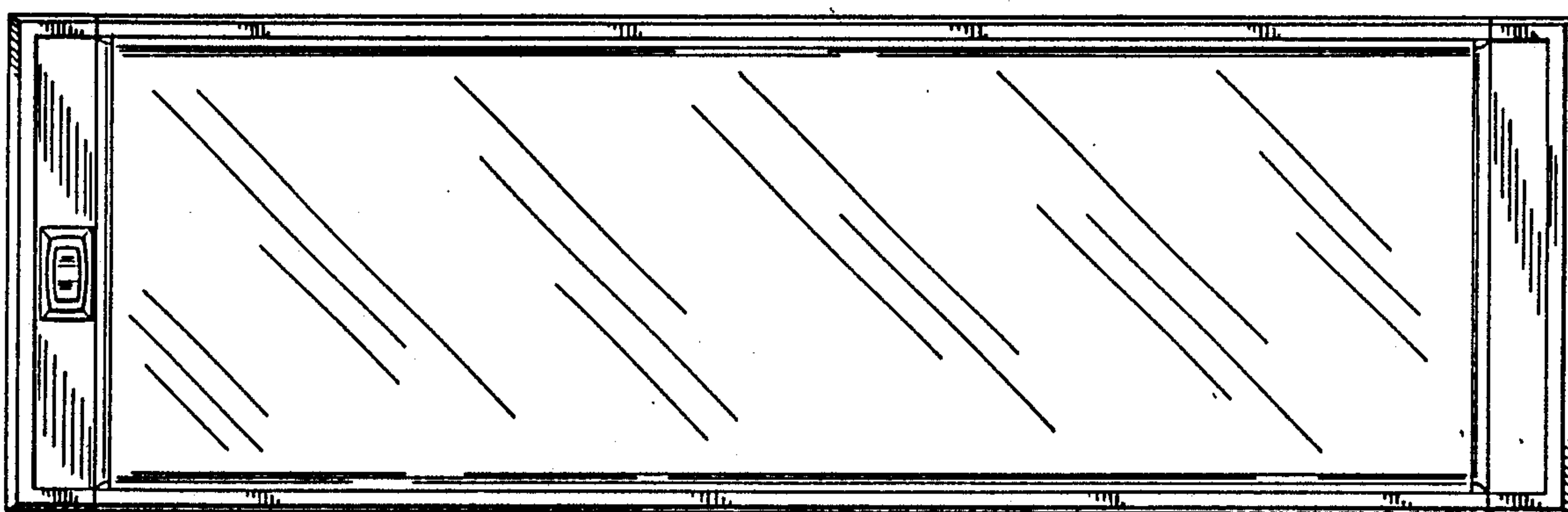
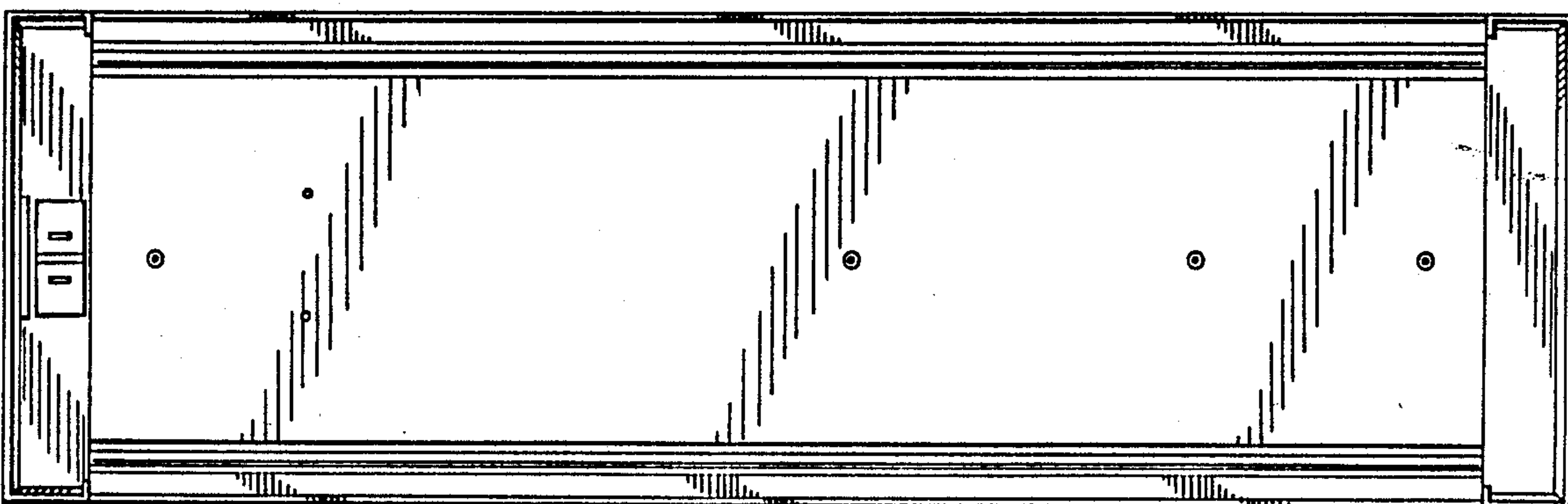


FIG. 6



REEXAMINATION CERTIFICATE (1486th)

United States Patent [19]

[11] B1 Des. 307,059

Szymanek

[45] Certificate Issued Jun. 11, 1991

4] RECESSED LIGHTING FIXTURE

5] Inventor: Donald D. Szymanek, Westlake Village, Calif.

3] Assignee: Thin-Lite Corporation, Camarillo, Calif.

Reexamination Request

No. 91/002,191, Nov. 2, 1990

No. 90/002,259, Jan. 22, 1991

Reexamination Certificate for:

Patent No.: Des. 307,059

Issued: Apr. 3, 1990

Appl. No.: 886,749

Filed: Jul. 18, 1986

2] U.S. Cl. D26/74

6] References Cited

U.S. PATENT DOCUMENTS

D. 227,692 7/1973 Hughes et al. .
D. 300,471 3/1989 Szymanek .
D. 300,874 4/1989 Szymanek .
2,694,775 11/1954 Florence .
2,770,717 11/1956 Schwartz et al. .
2,897,347 7/1959 Kurtzon .
3,078,366 2/1963 Winkler .
3,560,317 2/1971 Nanny et al. .

OTHER PUBLICATIONS

Photocopy of catalog page of Thin-Lite Model 716.

Photocopy of catalog page of Jensen Model A8797.

Photocopy of catalog page of Xantech Model 108520, two pages.

Photocopy of catalog page of Progressive Dynamics Model PD650, two pages.

Photocopy of catalog page of Jensen-Wemac Model 8765.

Photographs of Thin-Lite Model 716, set of three.

Photographs of Jensen Model A8797, set of three.

Photographs of Xantech Model 108520, set of three.

Photographs of Progressive Dynamics Model PD650, set of three.

Photographs of Jensen-Wemac Model 8765, set of three.

"Self-Centering Diffuser," article by Legion Lighting, 221 Glenmore Avenue, Brooklyn, New York, AIA File No. 31-F23.

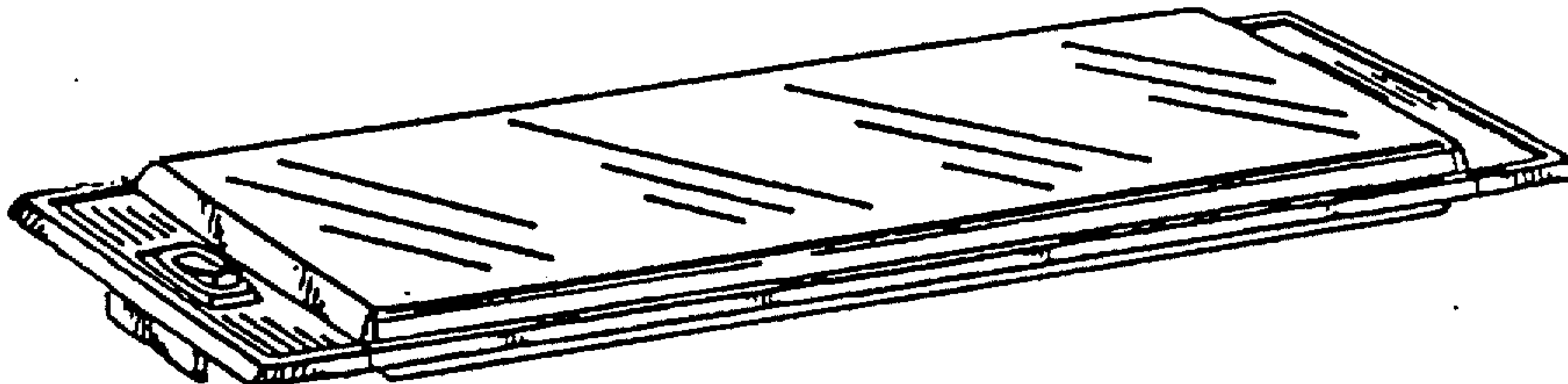
Primary Examiner—Susan J. Lucas

[57]

CLAIM

DESCRIPTION

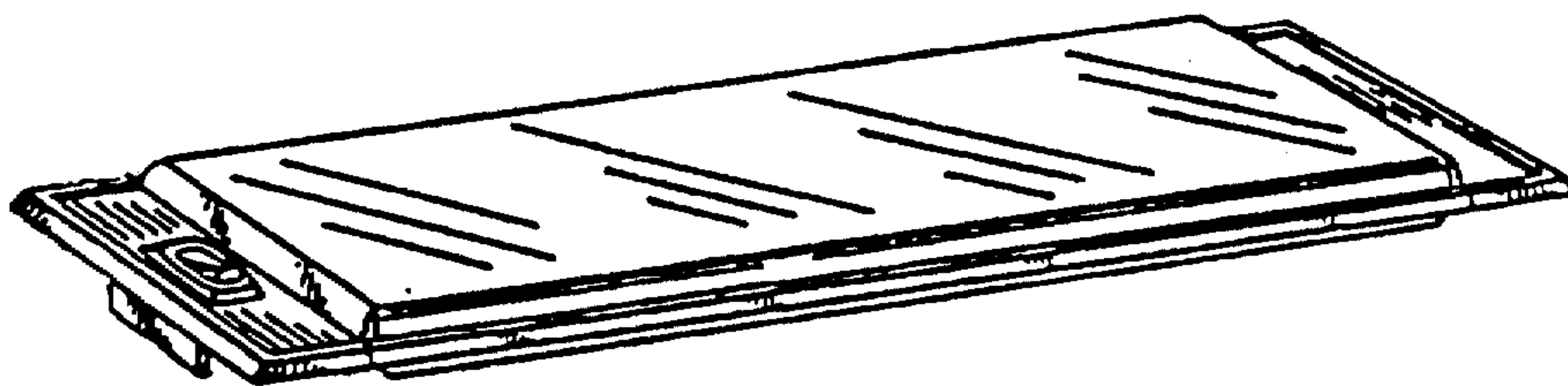
The single FIGURE is a perspective view of a supporting beam for conveyor elements or the like showing my new design. The unseen sides are identical to the sides seen in the drawing and the bottom view is identical to the top side.



U.S. Patent

June 11, 1991

B1 Des. 307,059



**REEXAMINATION CERTIFICATE
ISSUED UNDER 35 U.S.C. 307**

NO AMENDMENTS HAVE BEEN MADE TO
THE PATENT

AS A RESULT OF REEXAMINATION, IT HAS
BEEN DETERMINED THAT:

5 The patentability of the claim is confirmed.

* * * * *

10

15

20

25

30

35

40

45

50

55

60

65