

# United States Patent [19]

Seok

[11] Patent Number: **Des. 307,057**

[45] Date of Patent: **\*\* Apr. 3, 1990**

[54] FLASHLIGHT

[76] Inventor: **Chan-Bok Seok**, 52-9-1, Sujin 1  
Dong, Seongnam City,  
Kyeongki-Do, Rep. of Korea

[\*\*] Term: **14 Years**

[21] Appl. No.: **35,694**

[22] Filed: **Apr. 7, 1987**

[30] Foreign Application Priority Data

Oct. 8, 1986 [KR] Rep. of Korea ..... 14250

[52] U.S. Cl. .... **D26/49**

[58] Field of Search ..... **D26/37-50;**  
362/157, 158, 183-208

[56] References Cited

### U.S. PATENT DOCUMENTS

D. 147,058 7/1947 Murray ..... D26/49

D. 290,517 6/1987 Smith ..... D26/46

2,825,797 3/1958 Min ..... D26/49 X  
4,244,011 1/1981 Hammel et al. .... 362/183

### OTHER PUBLICATIONS

Eddie Bauer Catalog, 1980, p. 74, Streamlight-20 Rechargeable Flashlight.

*Primary Examiner*—Susan J. Lucas

*Attorney, Agent, or Firm*—Jones, Tullar & Cooper

[57] CLAIM

The ornamental design for a flashlight, as shown and described.

### DESCRIPTION

FIG. 1 is a top, front, right side perspective view of a flashlight showing my new design;

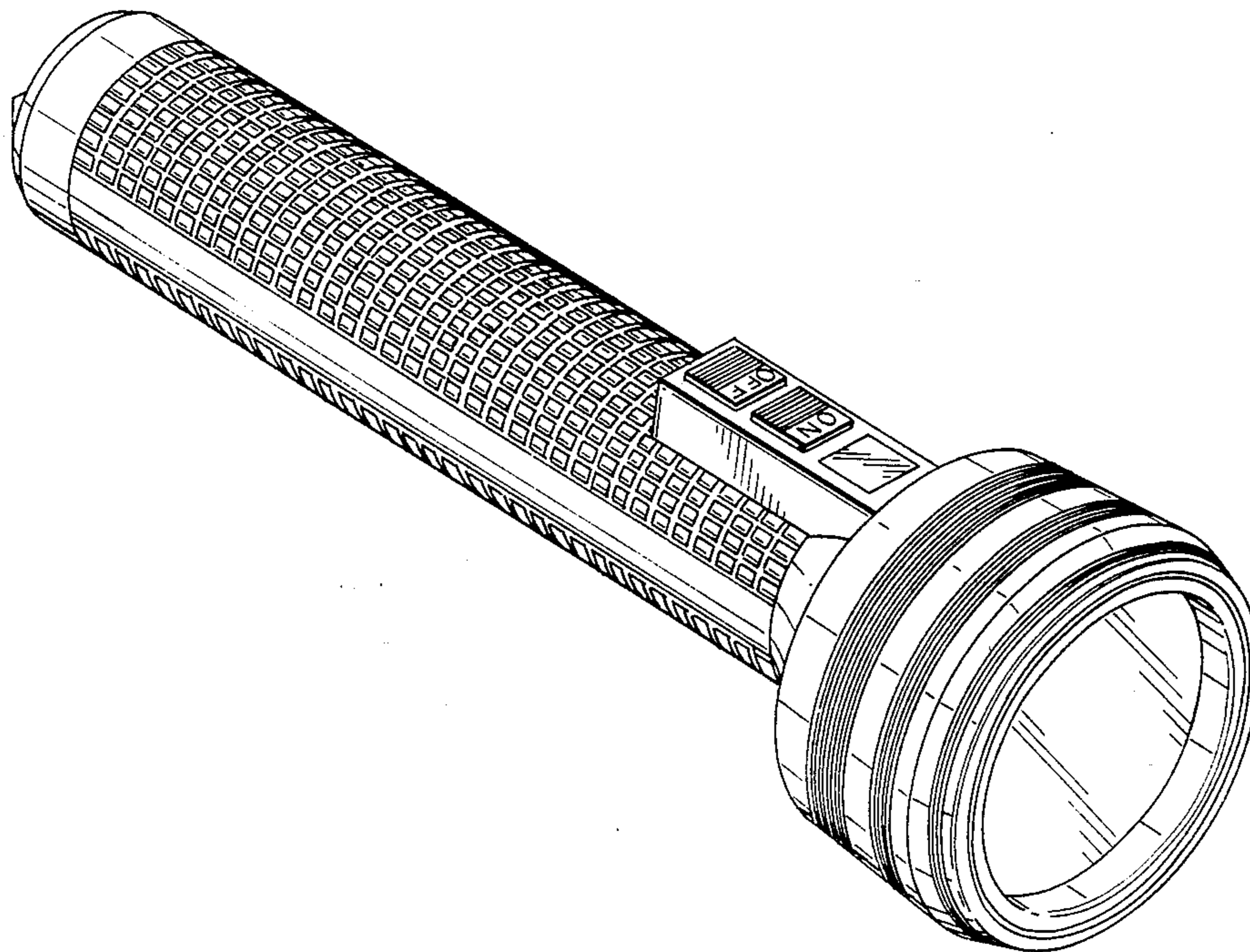
FIG. 2 is a top plan view thereof;

FIG. 3 is a bottom plan view thereof;

FIG. 4 is a left side elevational view thereof;

FIG. 5 is a front elevational view thereof;

FIG. 6 is a rear elevational view thereof.



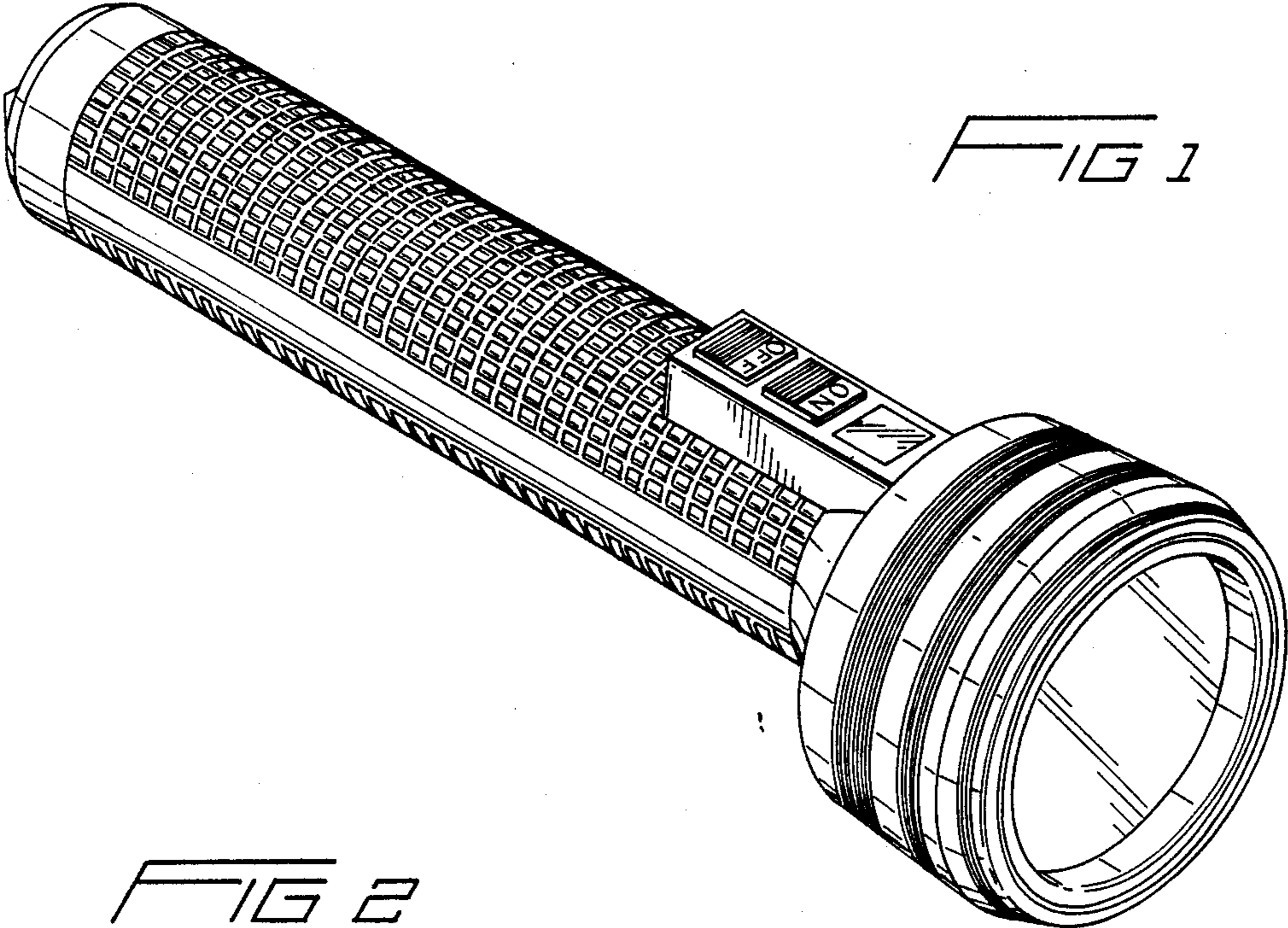


FIG 2

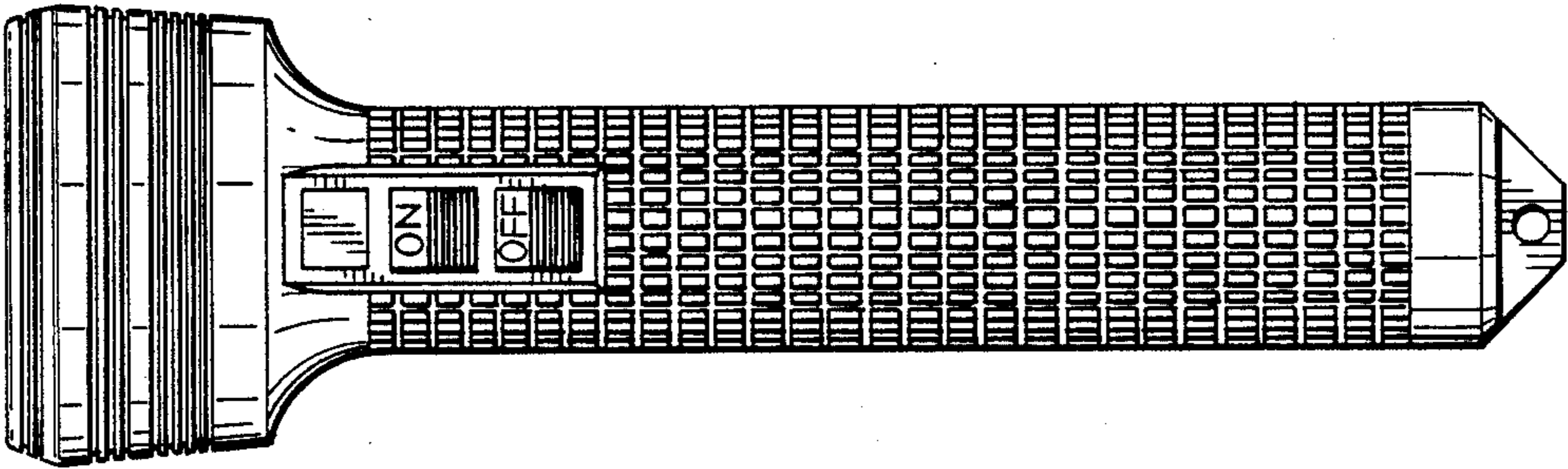
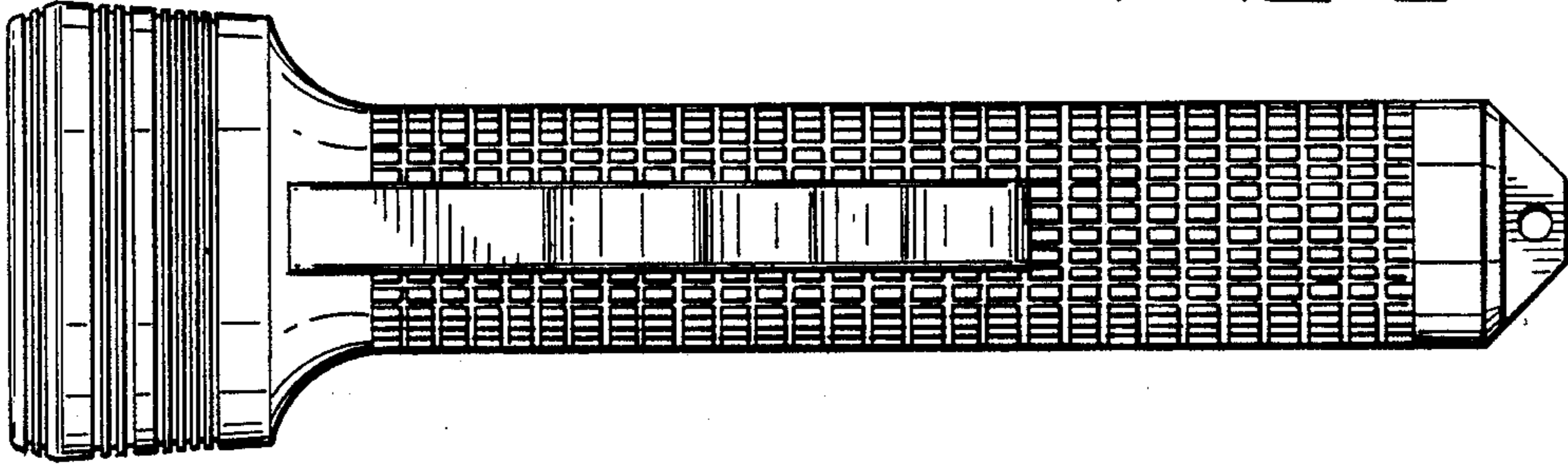


FIG 3



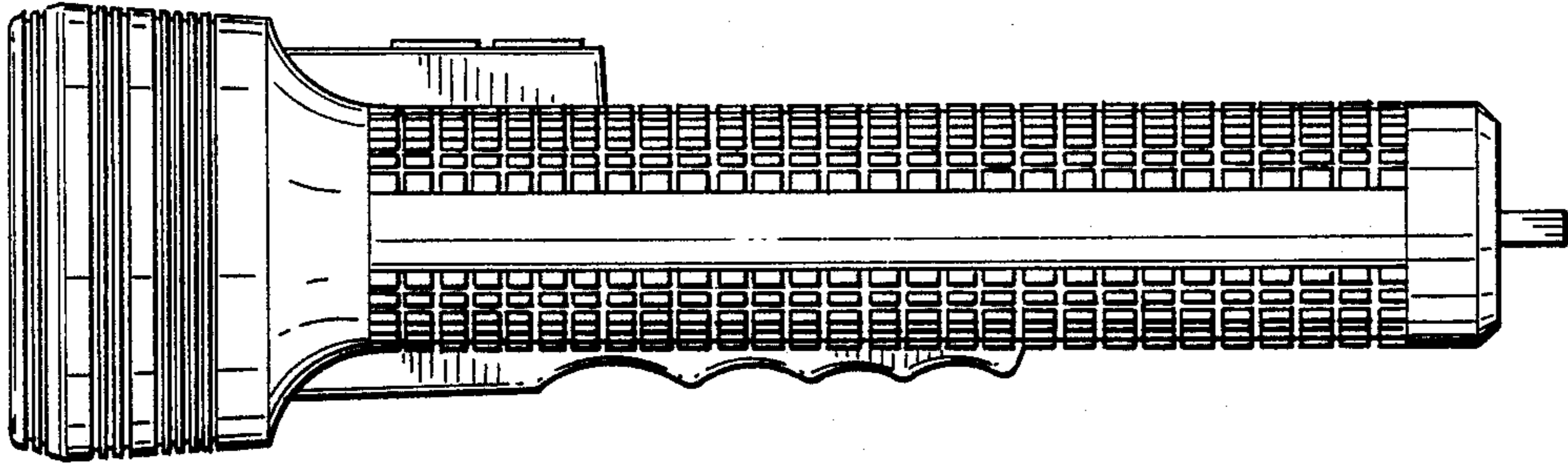


FIG 4

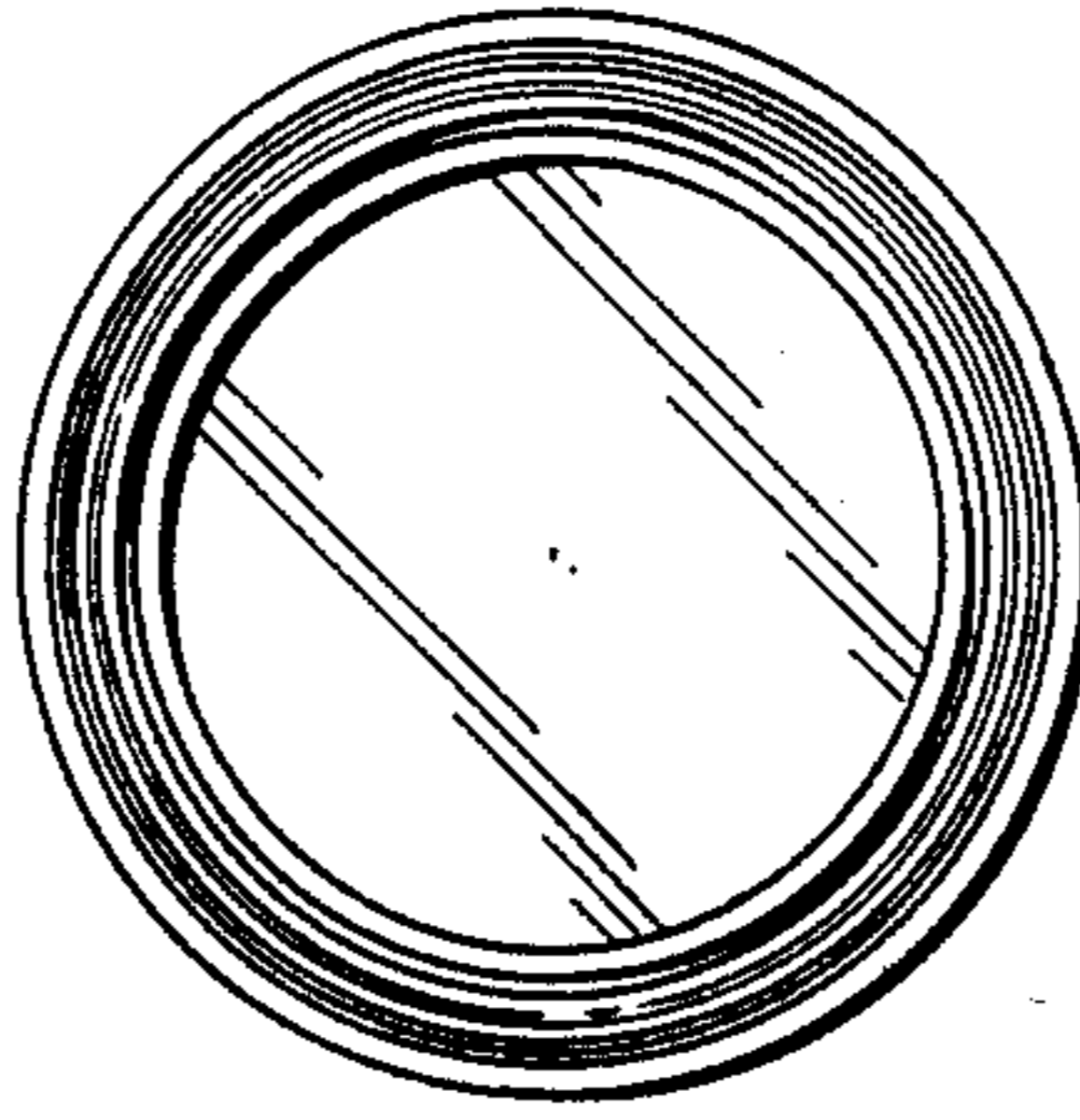


FIG 5

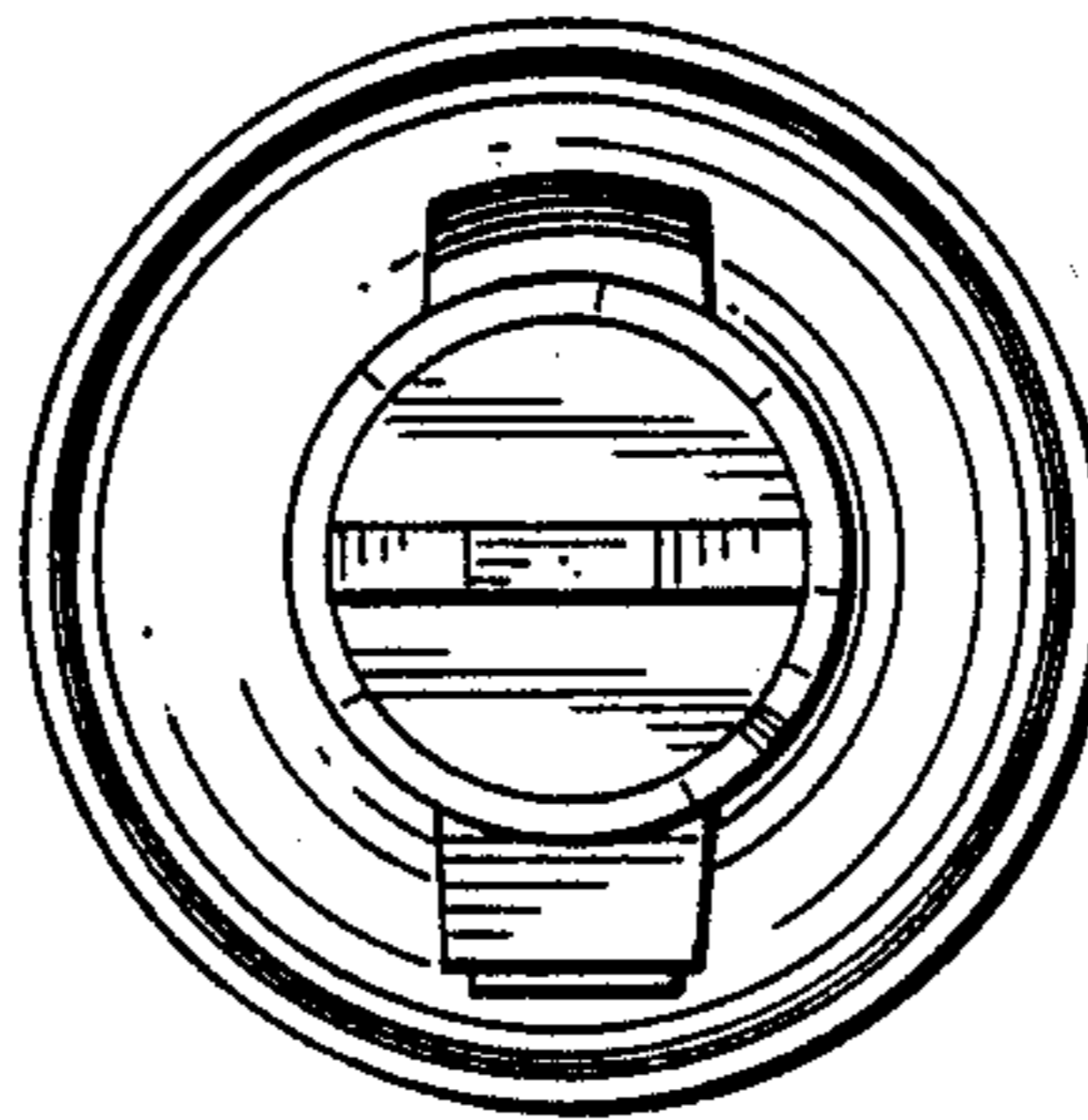


FIG 6