

[54] STANDING FRAME FOR THE HANDICAPPED

[76] Inventor: Malcolm C. Johnston, 17 Devenport Road, London, England, W12 8NZ

[**] Term: 14 Years

[21] Appl. No.: 62,046

[22] Filed: Jun. 11, 1987

[30] Foreign Application Priority Data

Feb. 12, 1987 [CA] Canada 12-02-87-6

[52] U.S. Cl. D24/64

[58] Field of Search D24/64; 128/80 G, 80 R, 128/84 R, 68; 272/134-142, 93, 50, 36, 44; D12/128, 130

[56] References Cited

U.S. PATENT DOCUMENTS

3,750,659	8/1973	Loomans	128/80 R
3,958,568	5/1976	Gaddy	128/80 R
4,029,089	6/1977	Mulholland	128/80 R
4,349,195	9/1982	Johnston	272/134

Primary Examiner—Wallace R. Burke

Assistant Examiner—Stella M. Reid

Attorney, Agent, or Firm—Burgess, Ryan and Wayne

[57] CLAIM

The ornamental design for a standing frame for the handicapped, as shown.

DESCRIPTION

FIG. 1 is a front perspective view of a standing frame for the handicapped showing my new design; FIG. 2 is a side perspective view thereof; and FIG. 3 is a top plan view thereof.

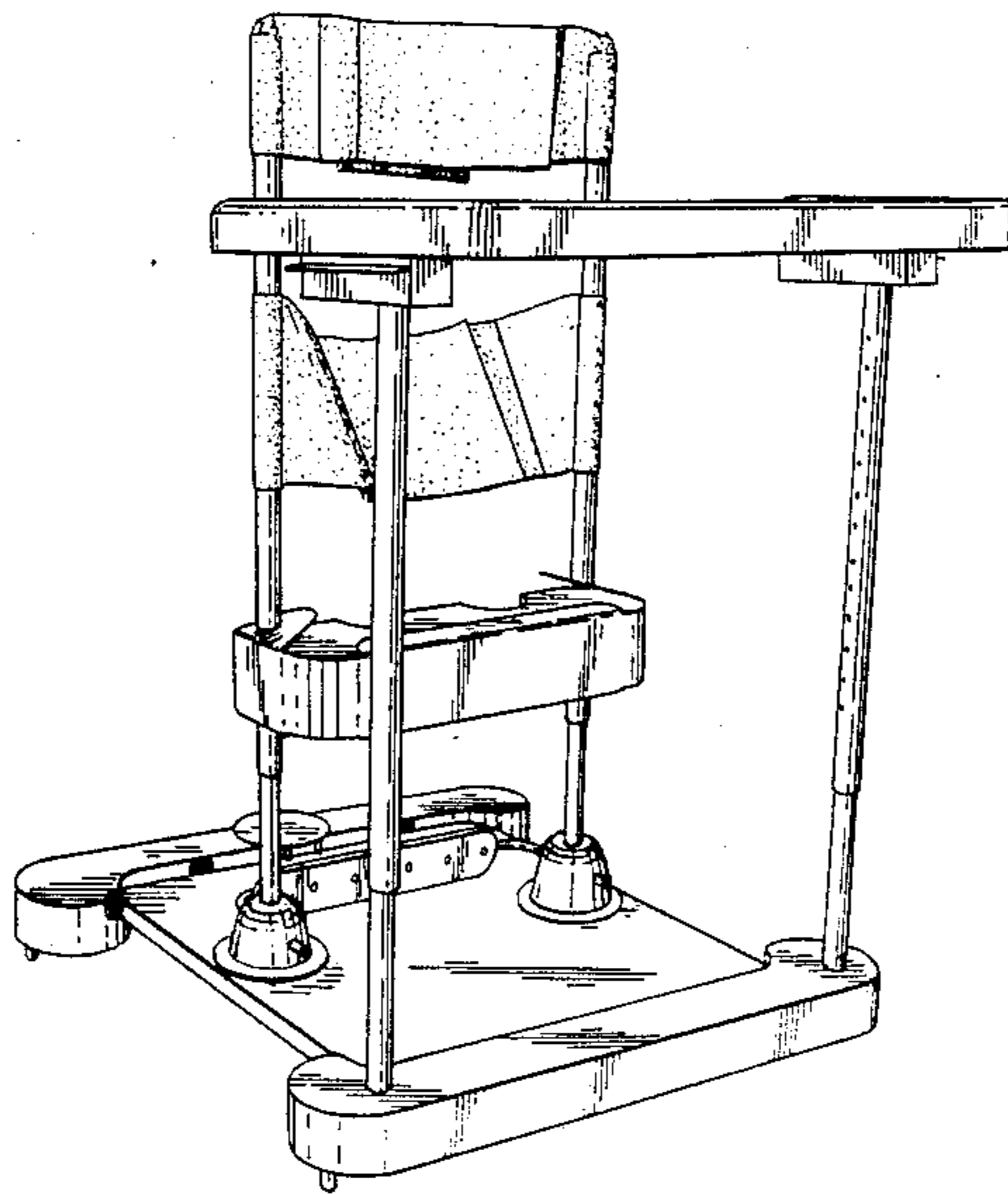


FIG. 1.

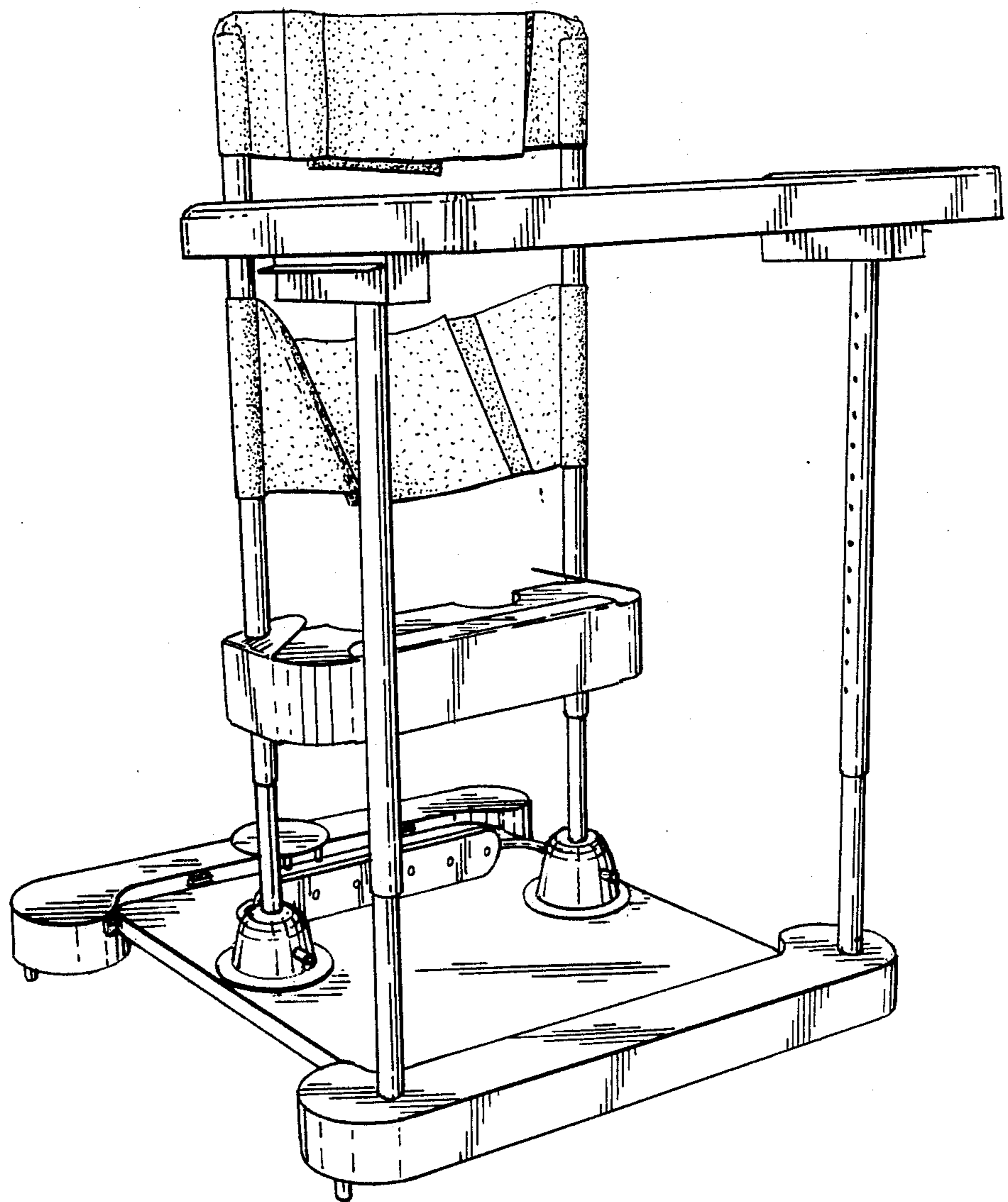


FIG. 2.

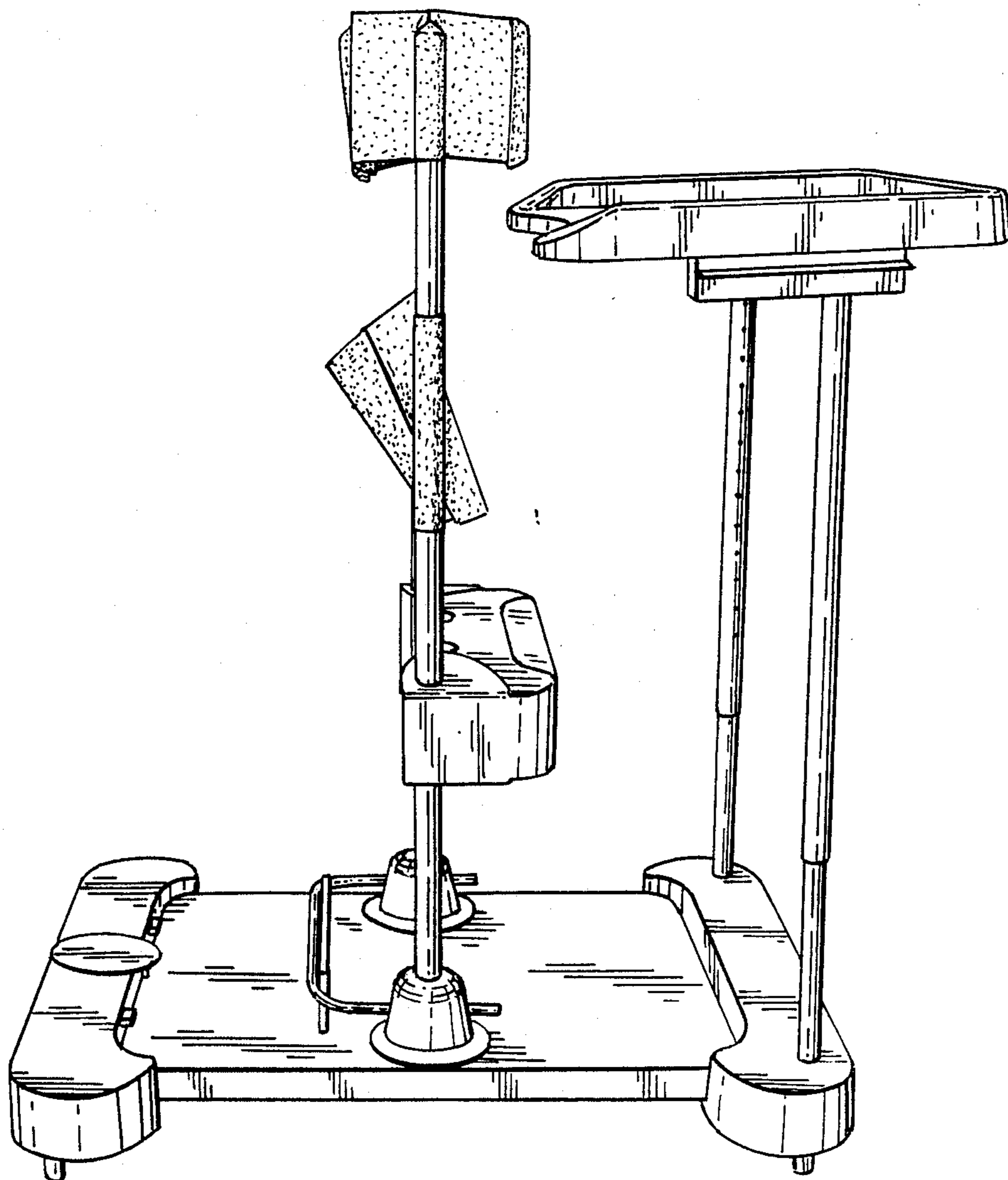


FIG. 3.

