

[54] PORCELAIN MIXING TRAY FOR DENTAL USE

[76] Inventors: Dale C. Denny, 18422 NE. 15th Pl., Bellevue, Wash. 98008; Salvatore A. Romeo, 2123 52nd SW., Seattle, Wash. 98116

[\*\*] Term: 14 Years

[21] Appl. No.: 105,215

[22] Filed: Oct. 5, 1987

[52] U.S. Cl. .... D24/10

[58] Field of Search ..... D24/10, 16; 206/219, 206/220, 63.5, 538, 69, 368; D3/74; D9/341

[56] References Cited

U.S. PATENT DOCUMENTS

- D. 59,965 12/1921 Hurtt ..... D24/10
- D. 215,766 10/1969 Dusek ..... D9/341 X
- D. 255,714 7/1980 Lancellotti ..... D24/10
- 3,675,620 7/1972 Baustin ..... 206/538 X
- 4,164,301 8/1979 Thayer ..... 206/538 X

OTHER PUBLICATIONS

Cosmetex Dental International, 1988, Item "Wet-n-Redi Tray".  
Modern Dental Lab, Apr.-May 1988, p. 33, item wet palette Humidor.

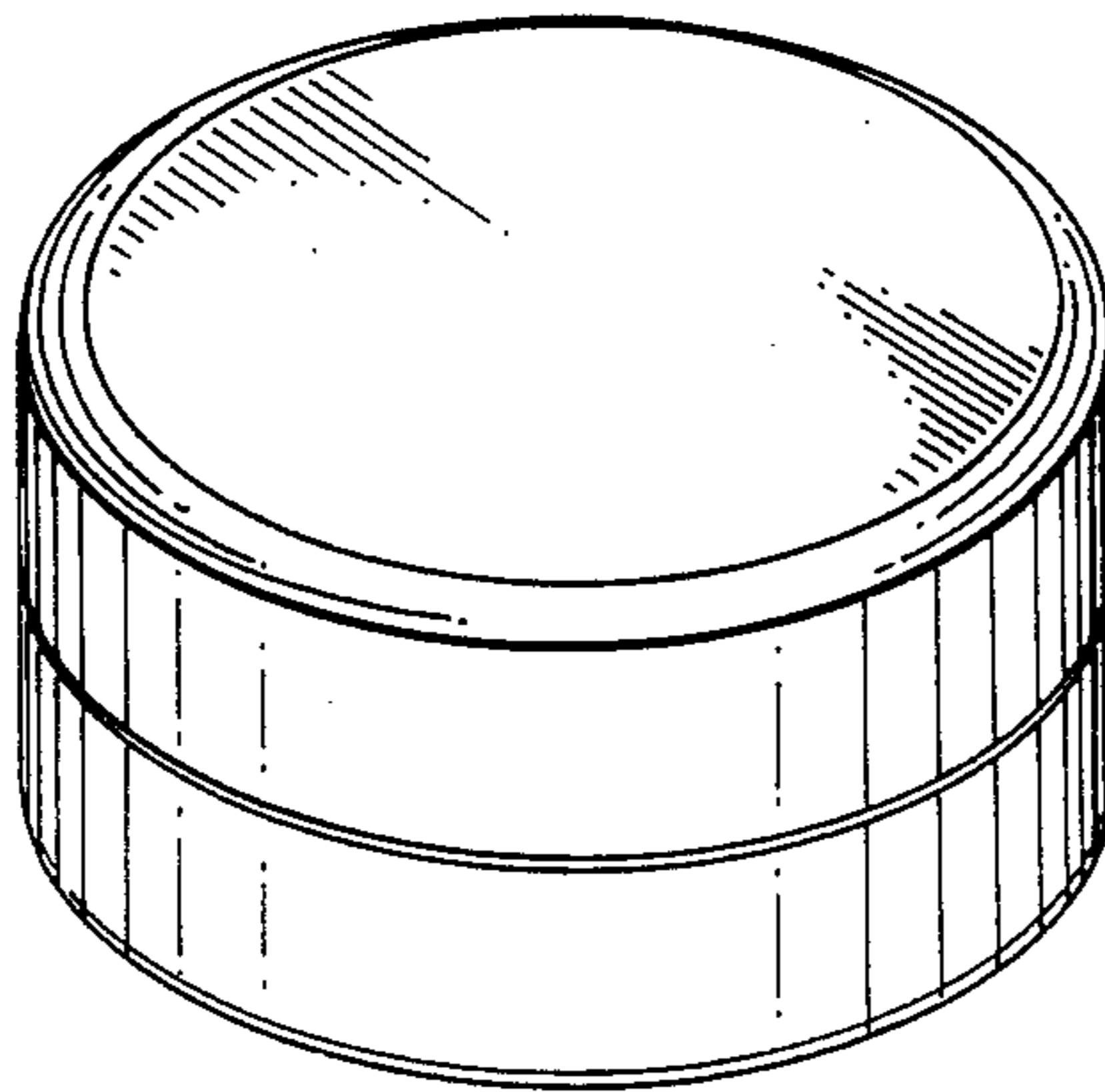
Primary Examiner—Susan J. Lucas  
Assistant Examiner—M. H. Tung  
Attorney, Agent, or Firm—H. Albert Richardson, Jr.

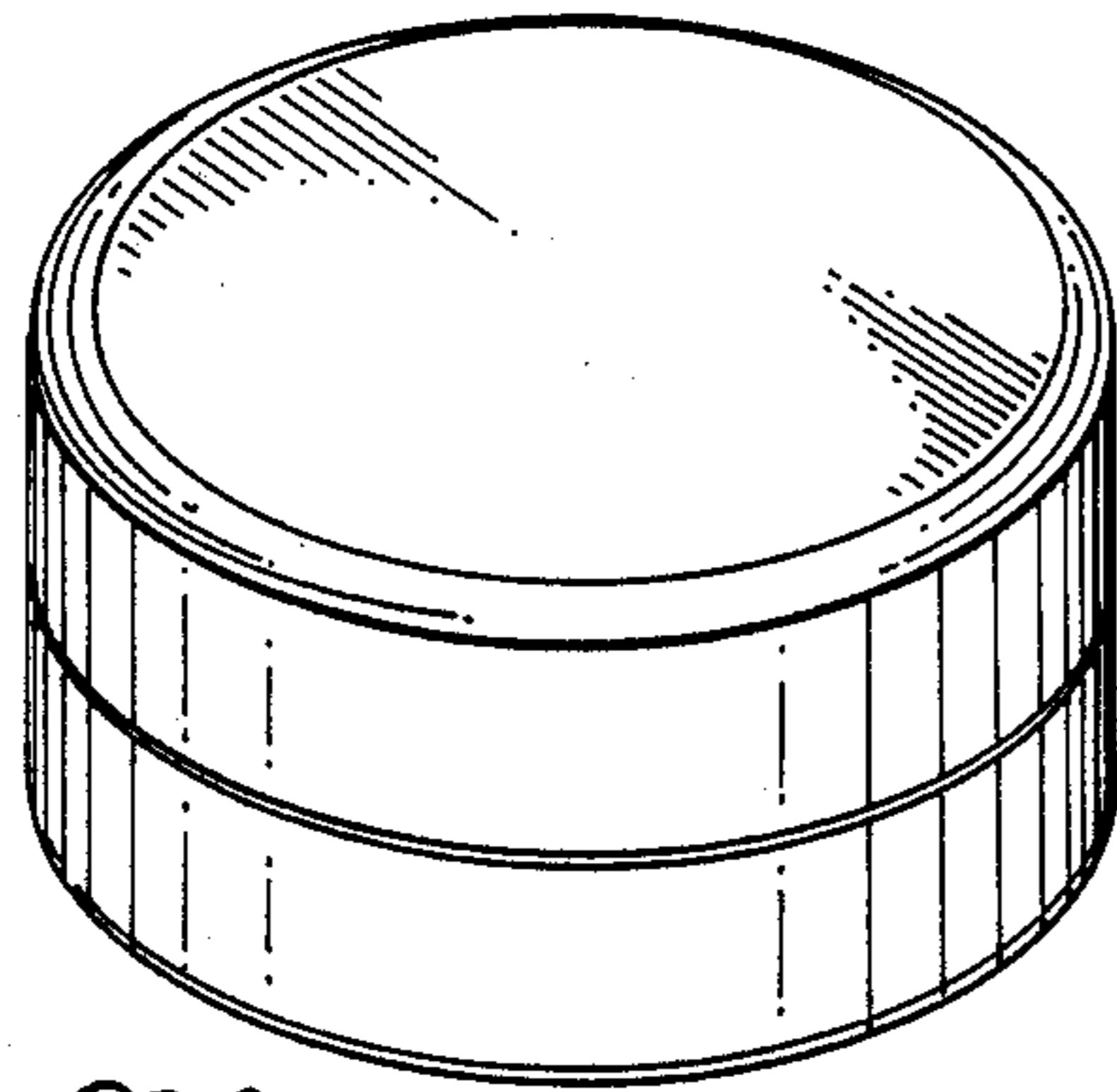
[57] CLAIM

The ornamental design for a porcelain mixing tray for dental use, as shown and described.

DESCRIPTION

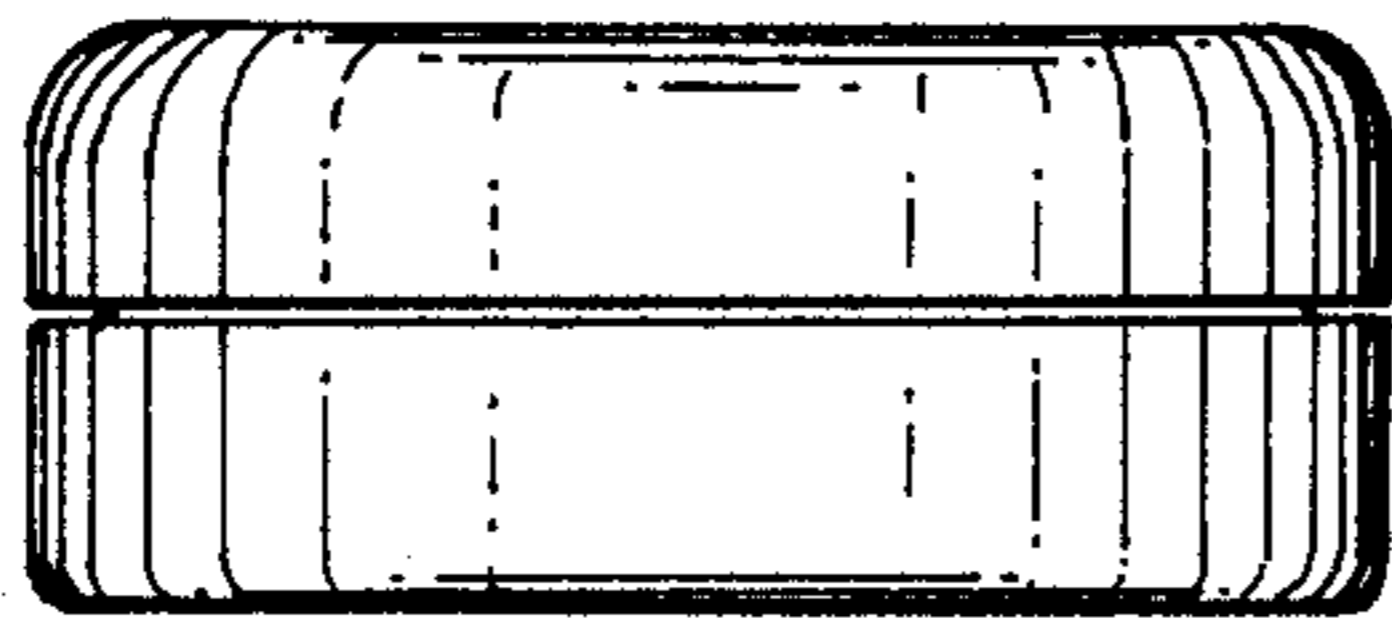
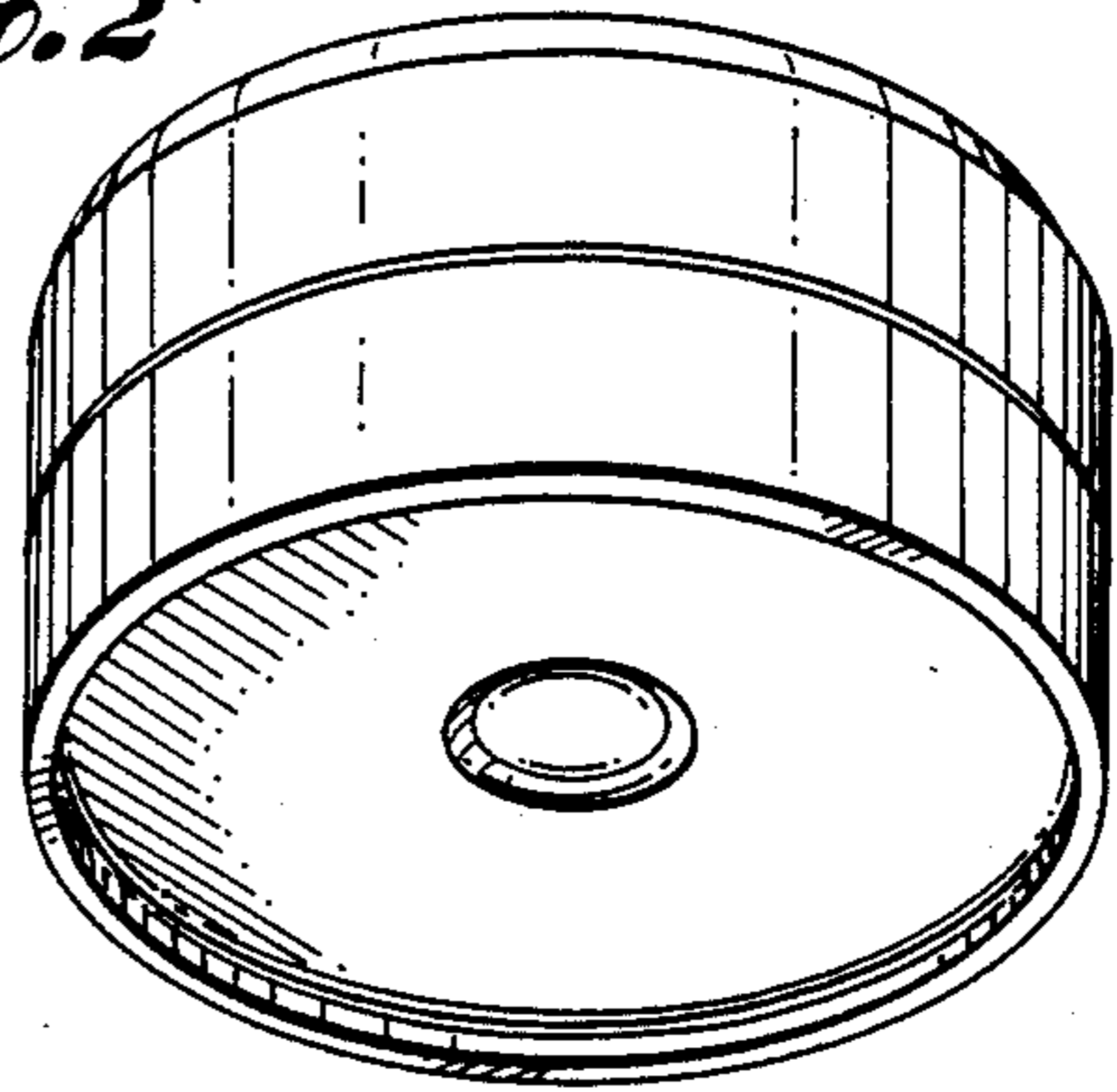
FIG. 1 is a top and front perspective view of a porcelain mixing tray for dental use showing my new design;  
 FIG. 2 is a bottom and front perspective view thereof on an enlarged scale;  
 FIG. 3 is a front elevational view thereof; the rear elevational view being identical;  
 FIG. 4 is a top plan view thereof;  
 FIG. 5 is a bottom plan view thereof;  
 FIG. 6 is an exploded front elevational view illustrating the lid and base portions thereof;  
 FIG. 7 is a top plan view of the base portion thereof;  
 FIG. 8 is a bottom plan view of the base portion thereof;  
 FIG. 9 is a top and front exploded view thereof on an enlarged scale;  
 FIG. 10 is a bottom and front exploded view thereof on an enlarged scale; and  
 FIG. 11 is a top and front exploded view of a second embodiment thereof, on an enlarged scale, differing from the first only by the inclusion of another base portion.





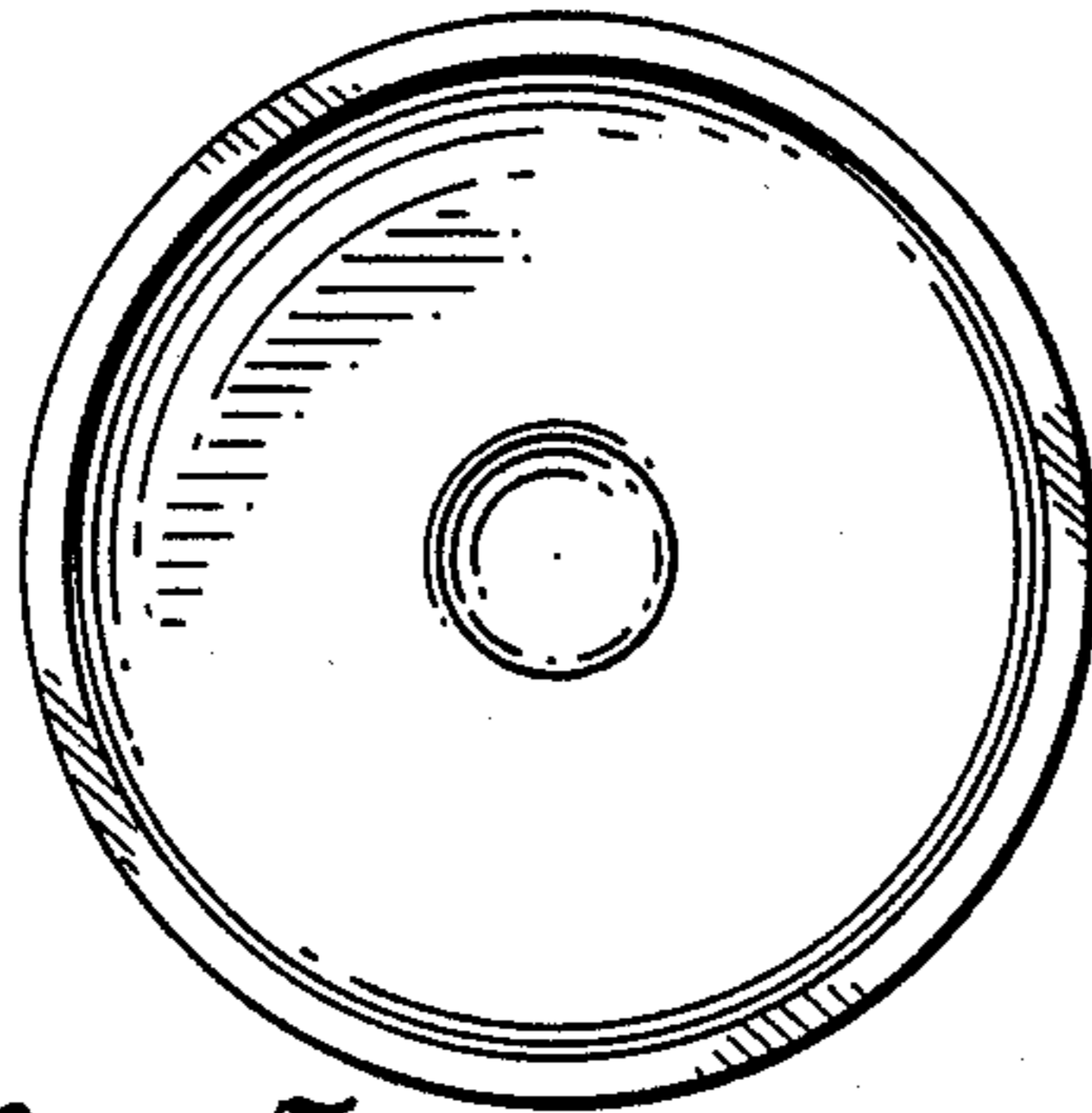
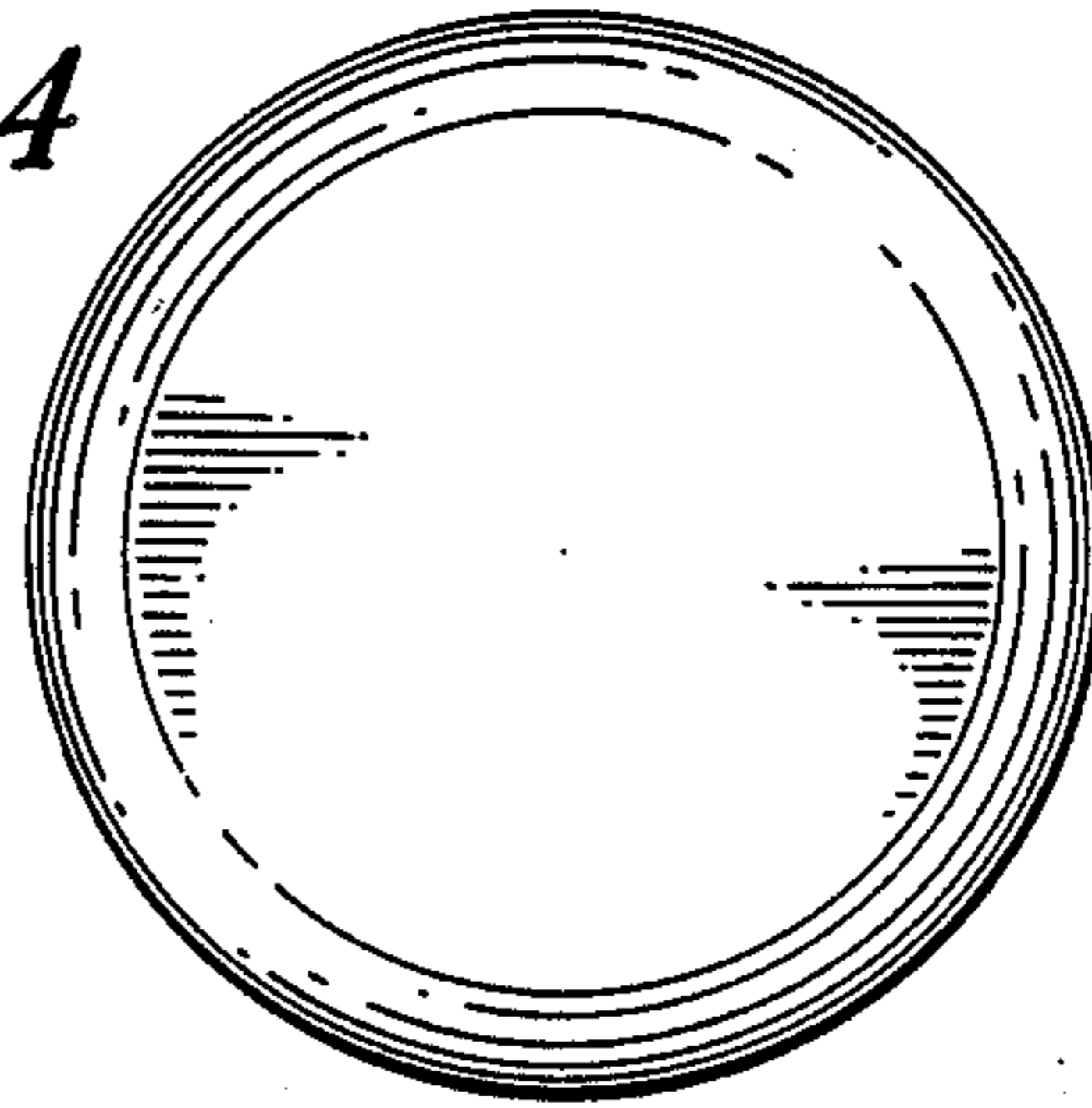
*Fig. 1*

*Fig. 2*

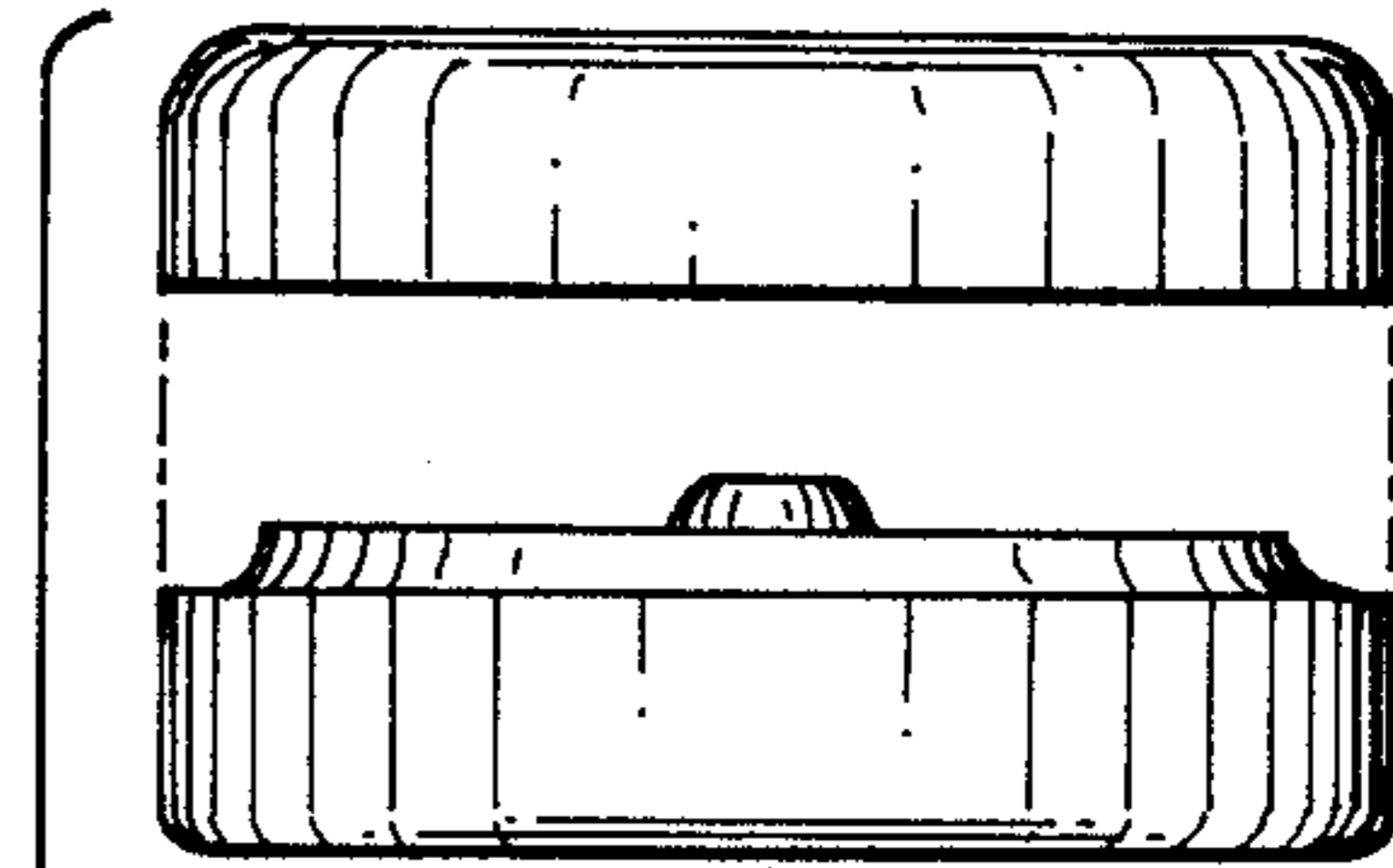


*Fig. 3*

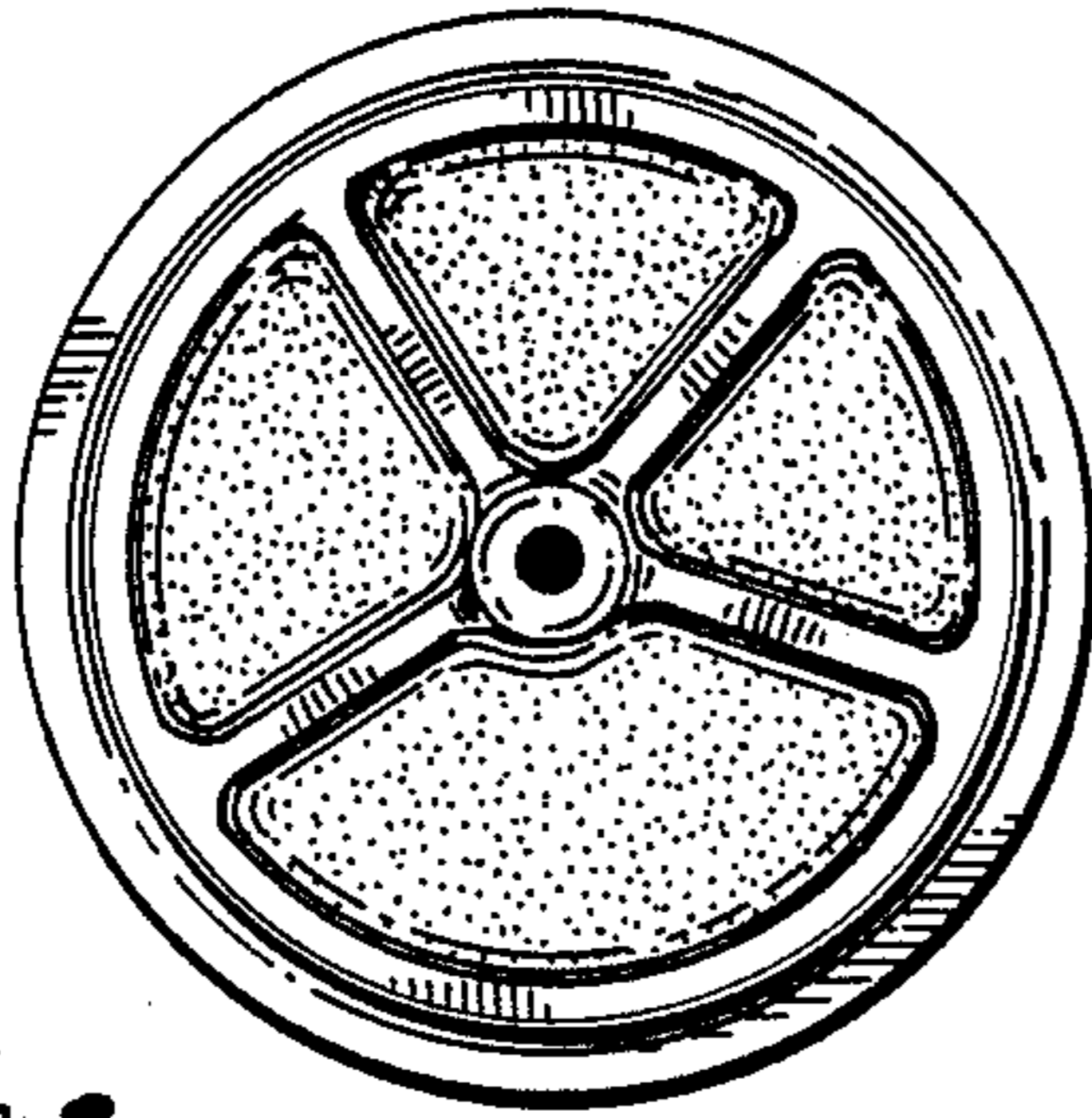
*Fig. 4*



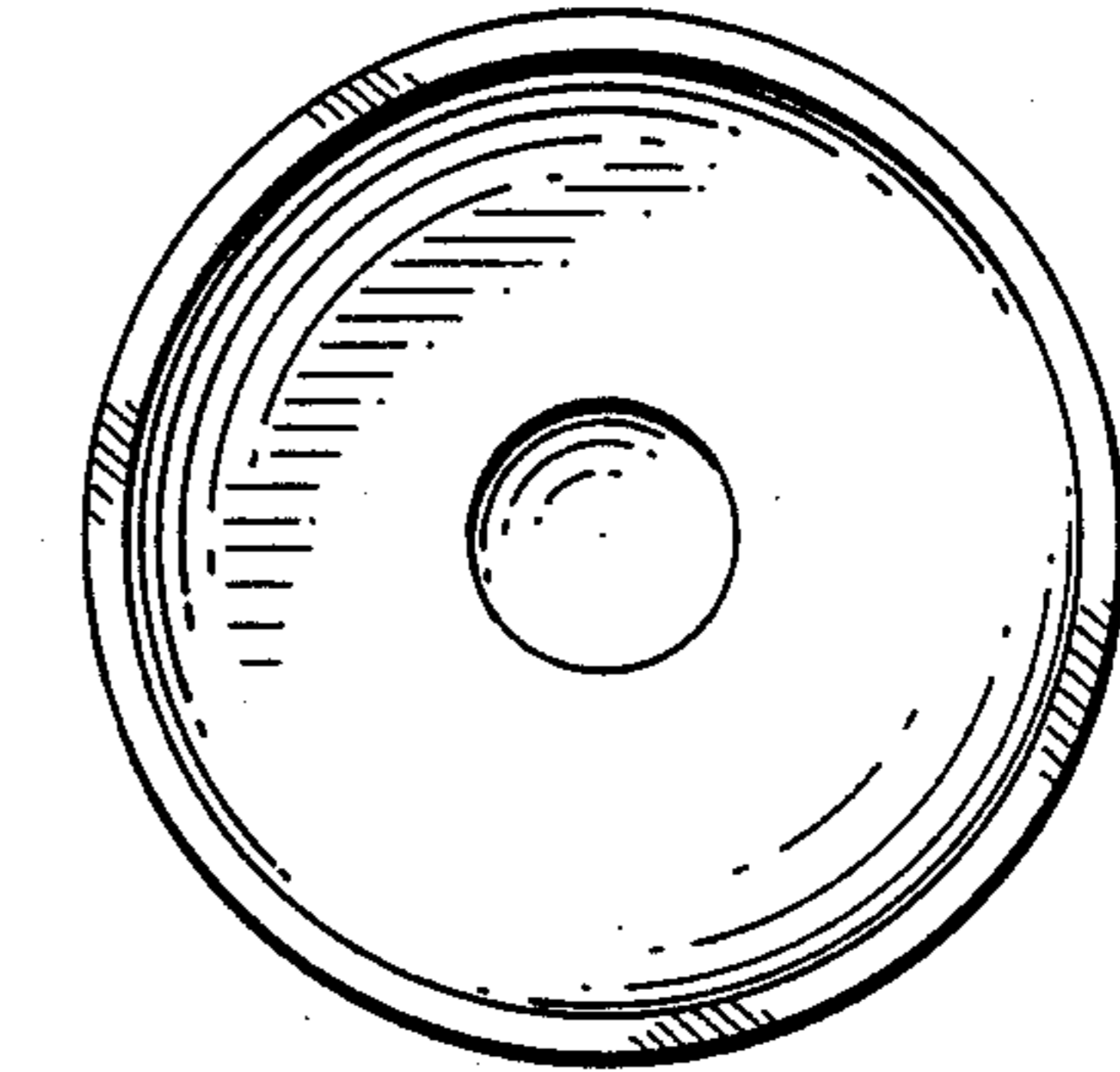
*Fig. 5*



*Fig. 6*

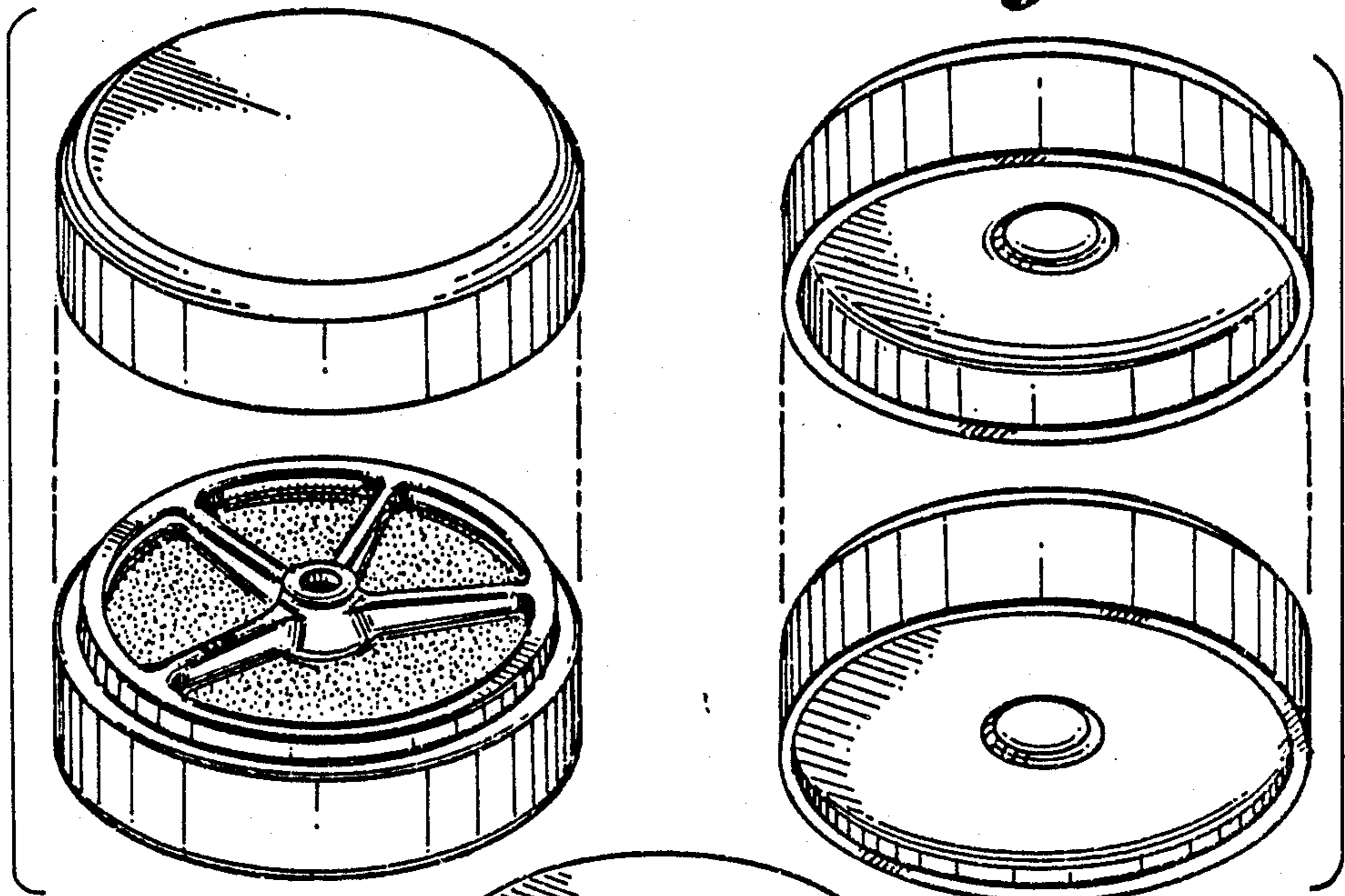


*Fig. 7*

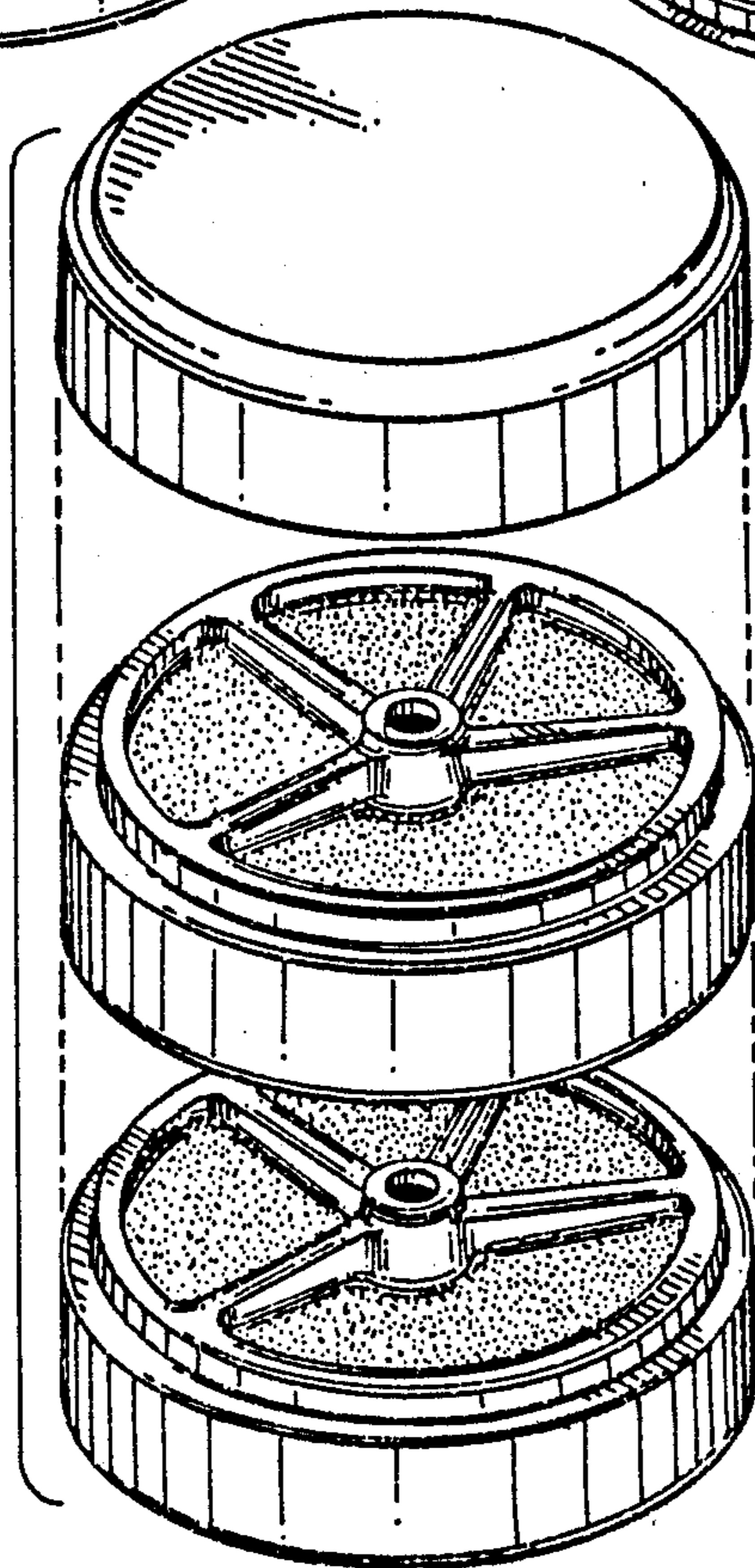


*Fig. 8*

*Fig. 10*



*Fig. 9*



*Fig. 11*