

[54] RAISED TOILET SEAT FOR INVALIDS  
 [75] Inventor: Alan M. Spiegel, New Rochelle, N.Y.  
 [73] Assignee: Temco Home Health Care Products, Inc., Passaic, N.J.  
 [\*\*] Term: 14 Years  
 [21] Appl. No.: 41,322  
 [22] Filed: Apr. 22, 1987  
 [52] U.S. Cl. .... D23/311  
 [58] Field of Search ..... D23/311, 312; 4/234-241

D. 281,997 12/1985 DiVito ..... D23/311  
 D. 282,964 3/1986 Beprestis ..... D23/311  
 D. 291,348 8/1987 Harrison ..... D23/311  
 610,076 10/1898 Weston ..... D23/311 X  
 3,171,138 3/1965 Brunelle ..... D23/311 X

Primary Examiner—James R. Largen  
 Attorney, Agent, or Firm—Richard C. Woodbridge

[57] CLAIM

The ornamental design for a raised toilet seat for invalids, as shown and described.

DESCRIPTION

FIG. 1 is a perspective view taken from the top, front and right side of a raised toilet seat for invalids showing my new design;  
 FIG. 2 is a right side elevational view thereof, the left side being a mirror image of the right side shown;  
 FIG. 3 is a top plan view thereof;  
 FIG. 4 is a front elevational view thereof;  
 FIG. 5 is a bottom plan view thereof;  
 FIG. 6 is a rear elevational view thereof.

[56] References Cited  
 U.S. PATENT DOCUMENTS  
 D. 26,365 12/1896 Nichols ..... D23/311  
 D. 190,408 5/1961 Finlot ..... D23/311  
 D. 237,887 12/1975 Landsberger ..... D23/311  
 D. 239,715 4/1976 Finlot ..... D23/311  
 D. 256,387 8/1980 Land, Jr. .... D23/311  
 D. 262,990 2/1982 Rodger ..... D23/311

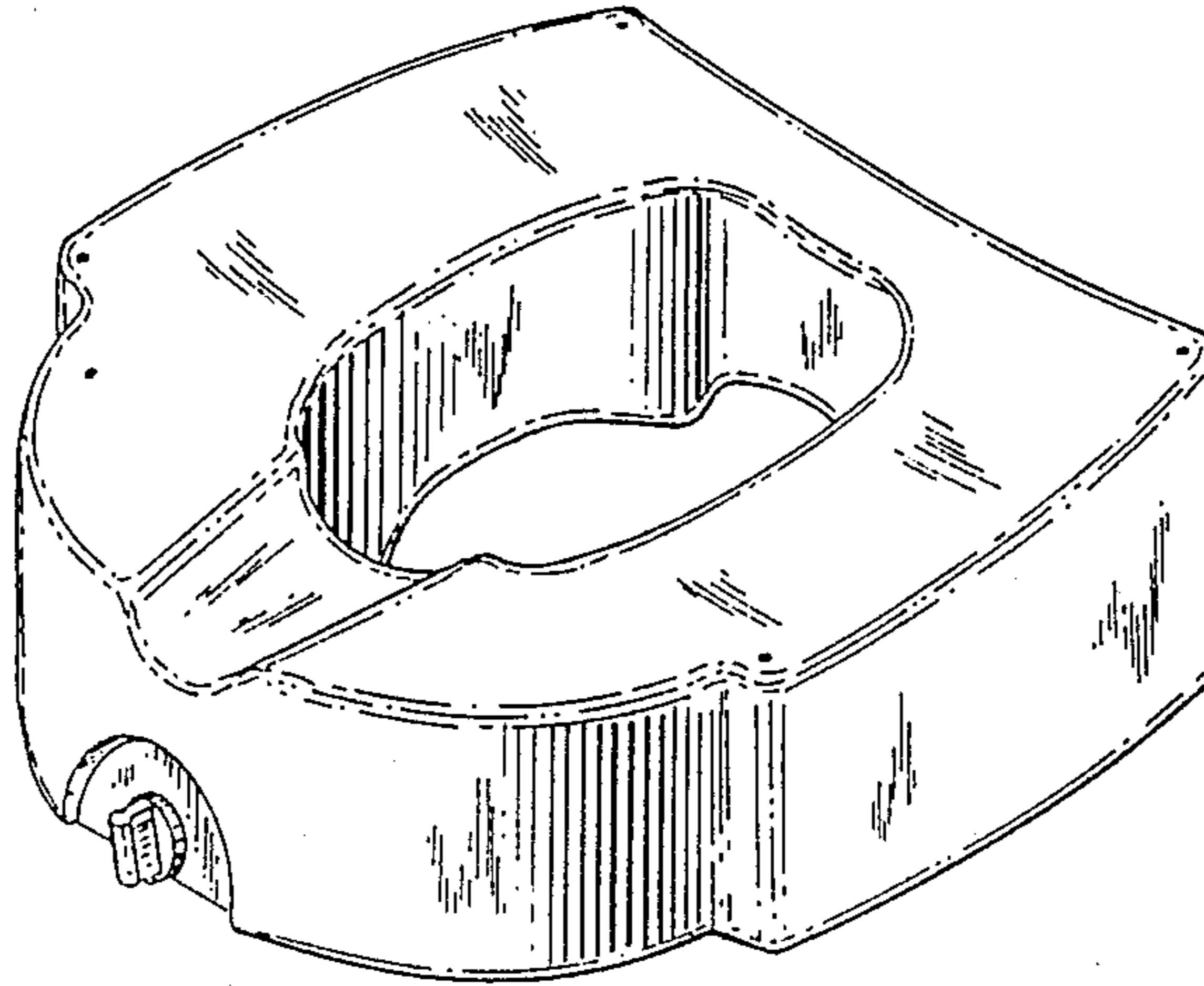


FIG. 1

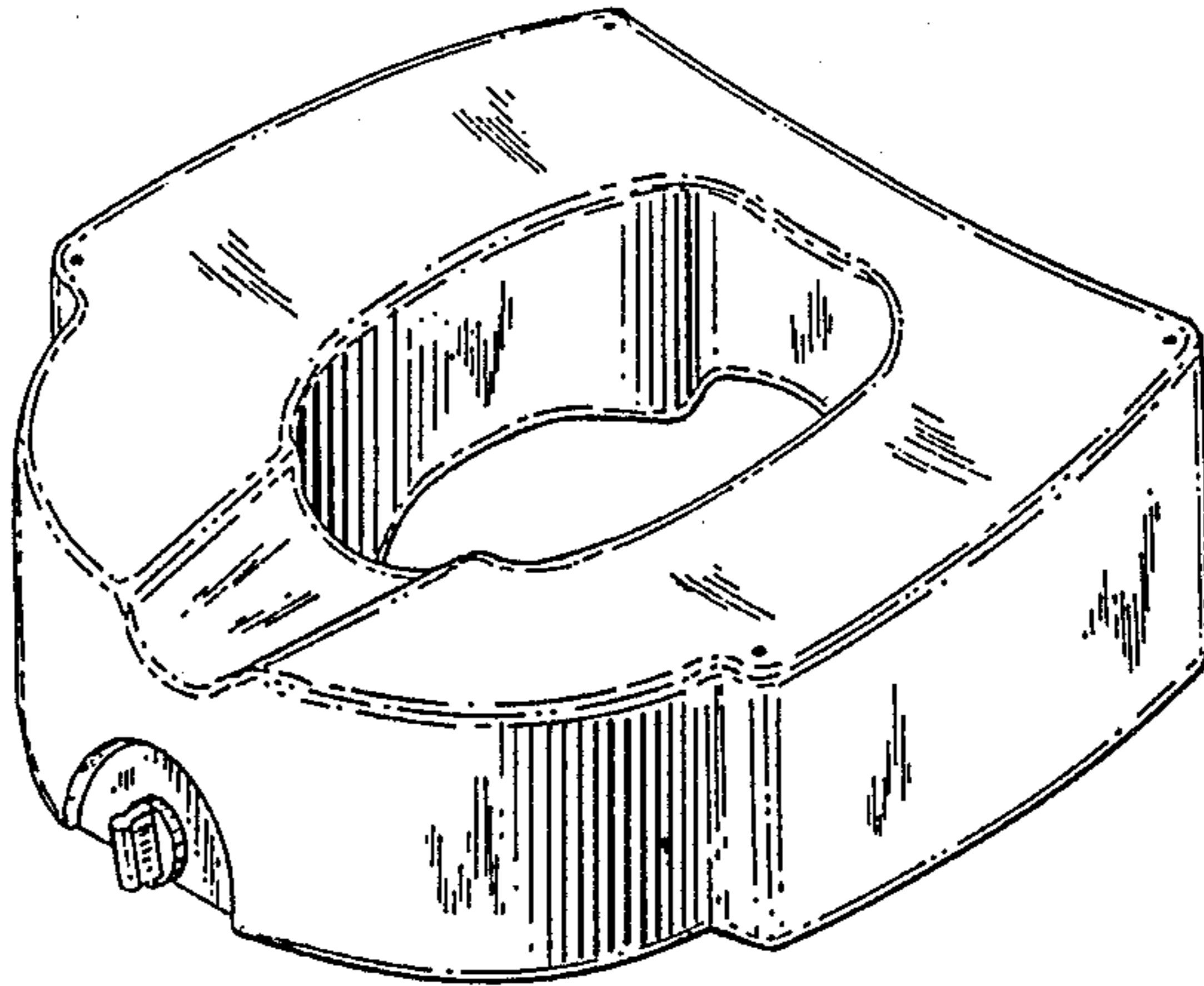


FIG. 2

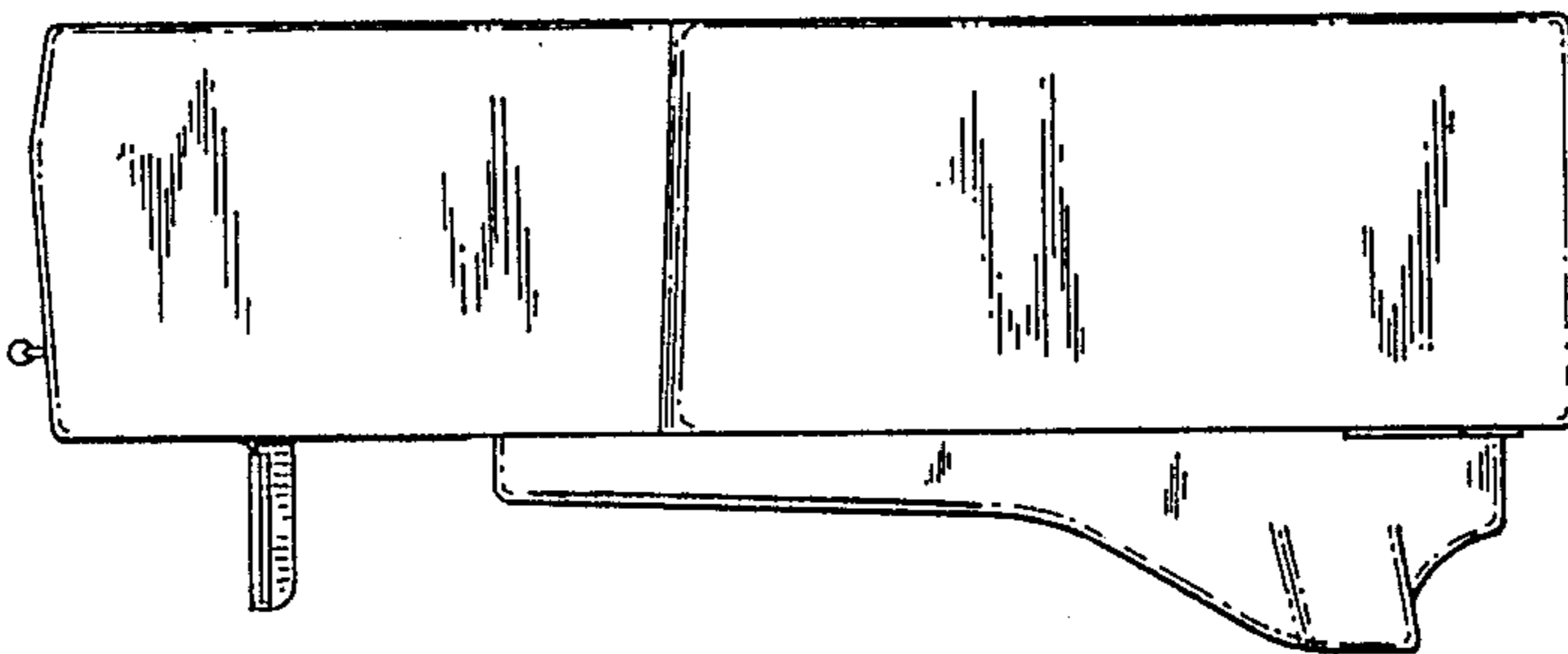


FIG. 3

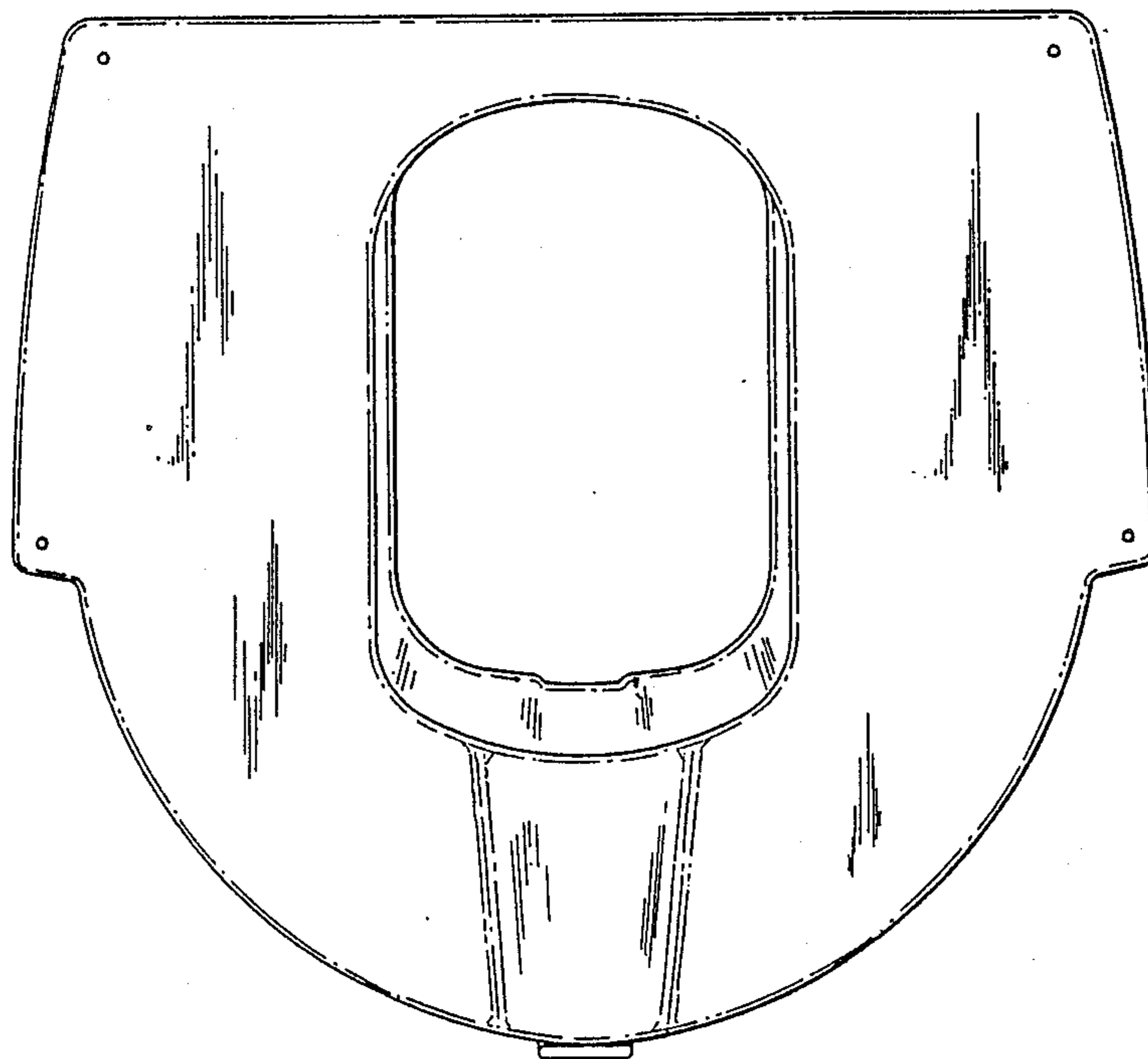


FIG. 4

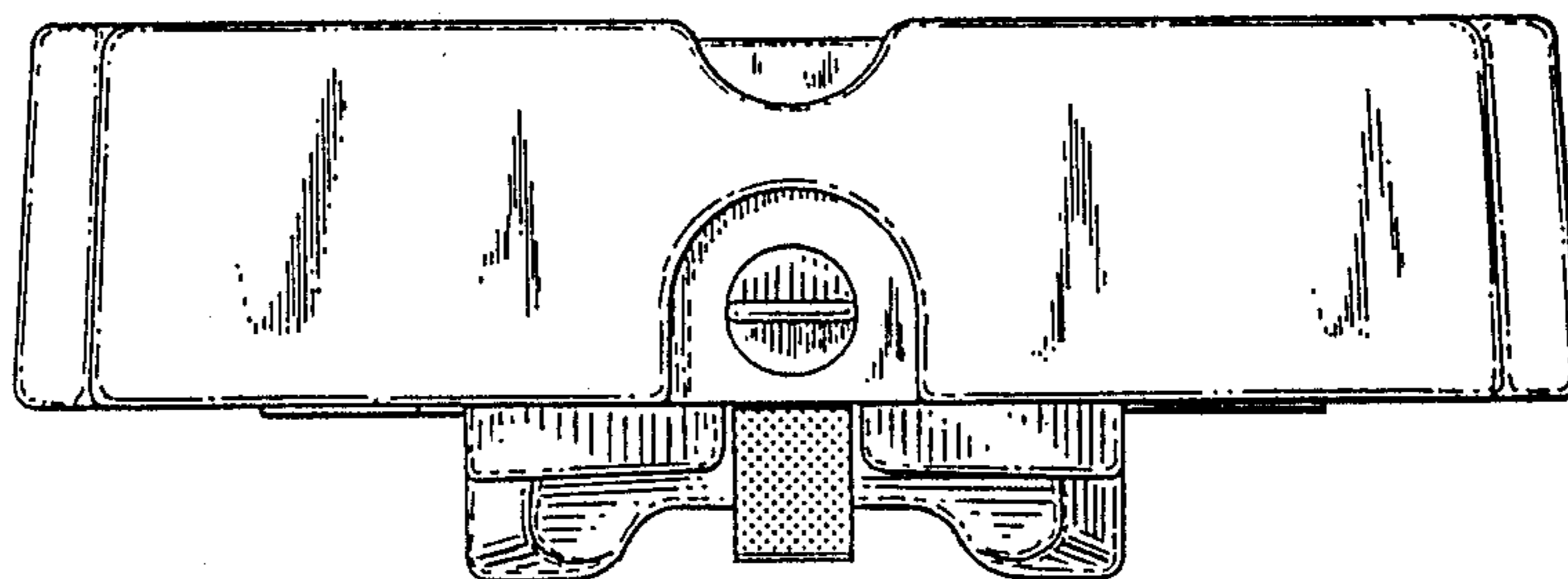


FIG. 5

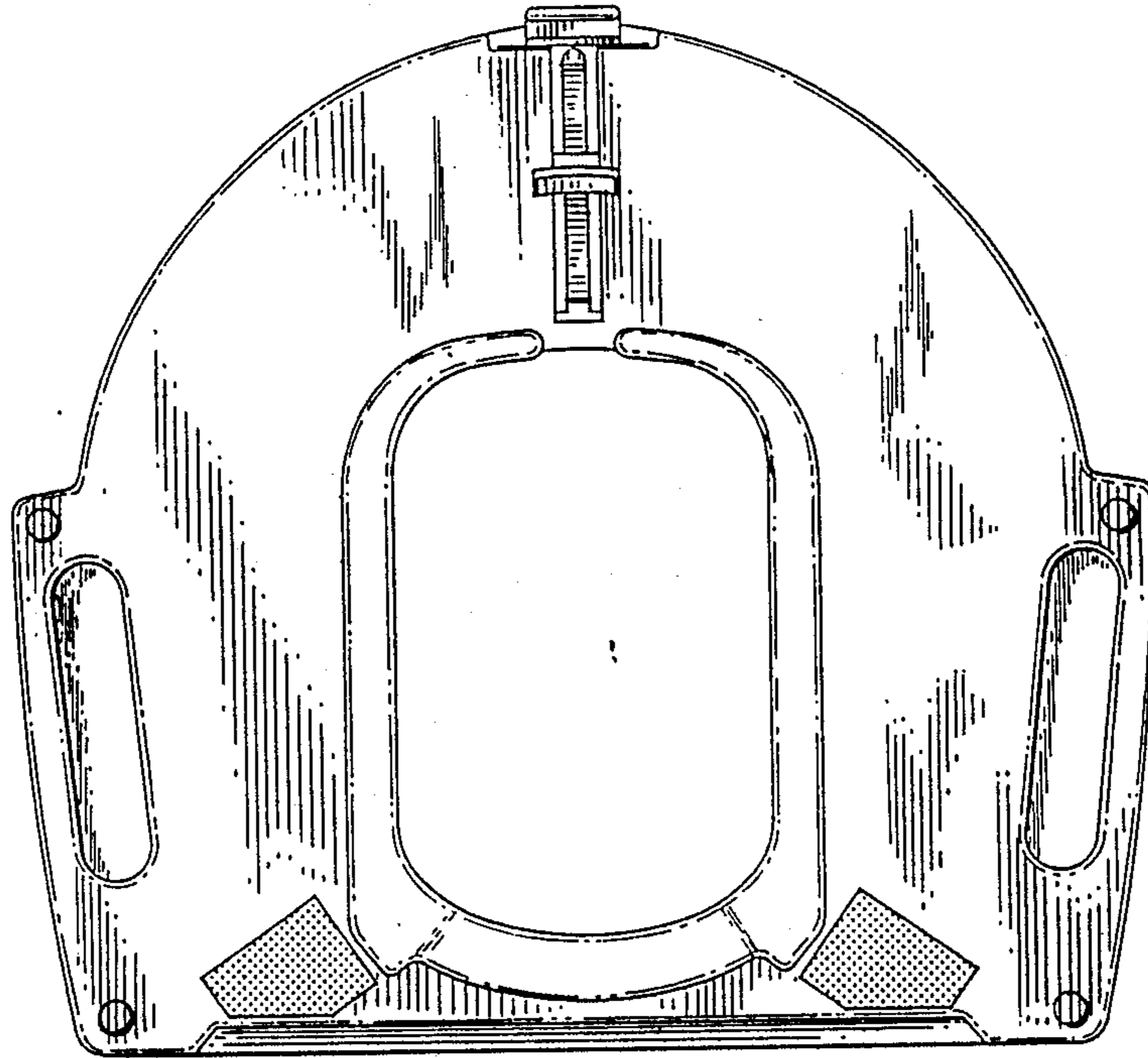


FIG. 6

