

[54] **ROTARY SPRINKLER**

[75] **Inventors:** Damon A. Johnston, Aurora; Paul E. Papenhouse, St. Charles, both of Ill.

[73] **Assignee:** Suncast Corporation, Batavia, Ill.

[\*\*] **Term:** 14 Years

[21] **Appl. No.:** 12,936

[22] **Filed:** Feb. 10, 1987

[52] **U.S. Cl. ....** D23/220

[58] **Field of Search ....** D23/213, 214, 219, 220, D23/221; 239/214, 380, 381, 264, 237, 239

[56] **References Cited**

**U.S. PATENT DOCUMENTS**

Re. 20,826	8/1938	Kind et al. ....	299/25
D. 184,510	3/1959	Chapman ....	D23/220
D. 184,511	3/1959	Chapman ....	D23/220
D. 238,670	2/1976	Beamer ....	D23/220
D. 242,706	12/1976	Elek ....	D23/221
D. 295,213	4/1988	Hattori ....	D23/221
D. 296,920	7/1988	Evans ....	D23/220
1,710,107	4/1929	Orr ....	239/237
1,941,269	12/1933	Phillips ....	239/239
2,376,007	5/1945	Quigley ....	239/381
2,573,687	11/1951	Brock ....	299/69
3,009,647	11/1961	Hait ....	239/201
3,042,318	7/1962	Chow et al. ....	239/458
4,062,494	12/1977	Healy ....	239/264

**OTHER PUBLICATIONS**

Scovill Sprinklemist Garden Hose Equipment Catalogue, p. 13, Rotary Lawn Sprinkler and Economy

Three-Arm Sprinkler, top left and bottom right side of page.

Hardware Age, Oct. 1985, p. 103, Revolving Sprinkler, middle left side of page.

Hardware Age, p. 62, No. LS30 True Temper 3-Arm Rotary Sprinkler, bottom of page.

Gilmour Lawn & Garden 1986 Catalogue, ©1985, p. 8, Three-Arm Rotary Sprinkler 883-B, top right side of page.

Allen Mfg. Co., Allenco Watering Equipment Catalogue, May 1959, pp. 6 & 7, Sweptwing Parkside Sprinkler and Sweptwing Greenwood Sprinkler, top of p. 6 and top right side of p. 7.

Sherman Lawn Hose Goods for '59 catalogue, p. 7, Greenlawn Sprinkler No. 5011, top left side of page.

*Primary Examiner*—James M. Gandy

*Assistant Examiner*—Lisa Lichtenstein

*Attorney, Agent, or Firm*—Fitch, Even, Tabin & Flannery

[57] **CLAIM**

The ornamental design for a rotary sprinkler, as shown.

**DESCRIPTION**

FIG. 1 is a perspective view of a rotary sprinkler embodying our new design;

FIG. 2 is an enlarged right side elevational view thereof;

FIG. 3 is an enlarged rear elevational view thereof;

FIG. 4 is an enlarged front elevational view thereof;

FIG. 5 is an enlarged left side elevational view thereof;

FIG. 6 is an enlarged top plan view thereof; and

FIG. 7 is an enlarged bottom plan view thereof.

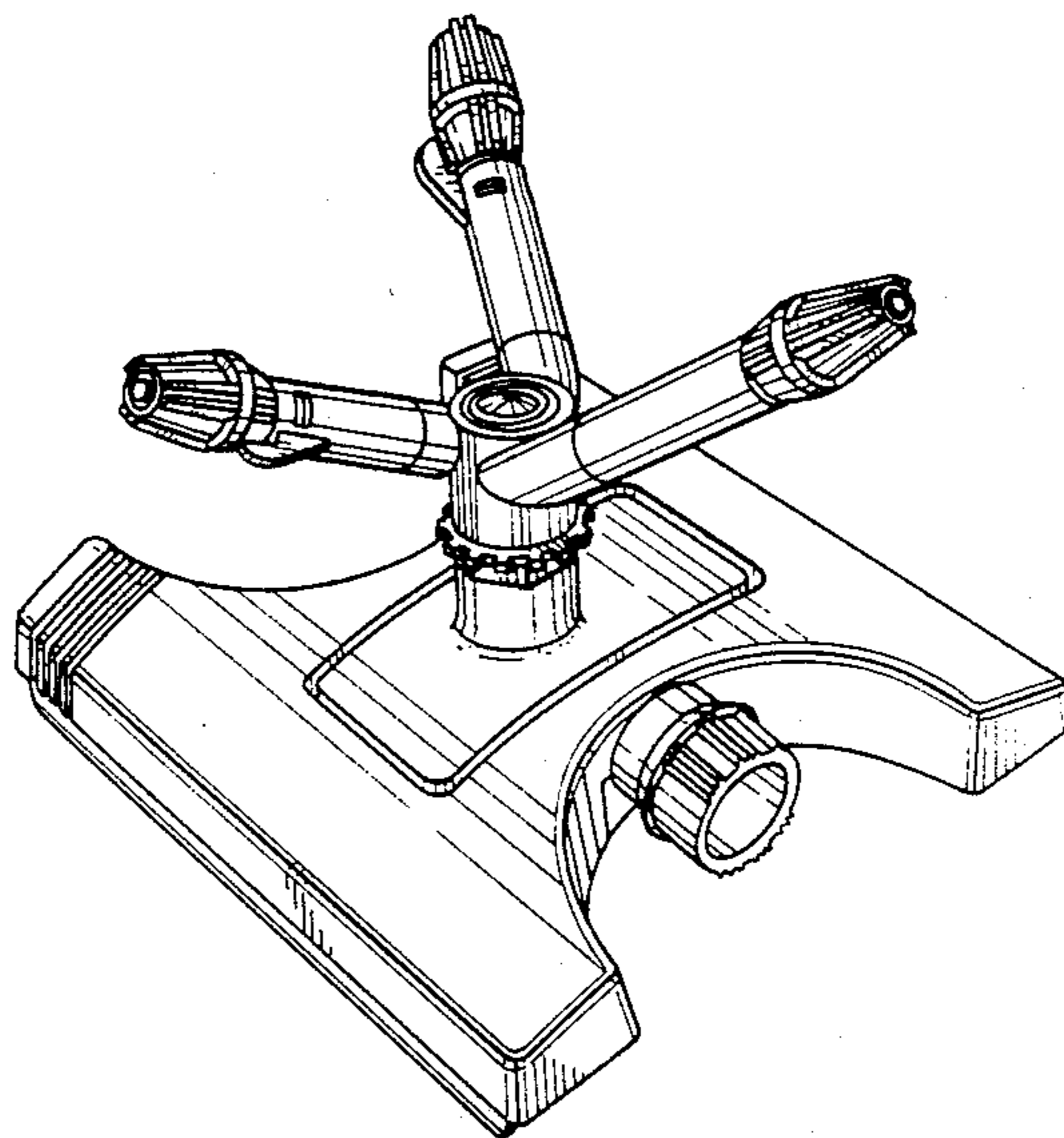


FIG. 1

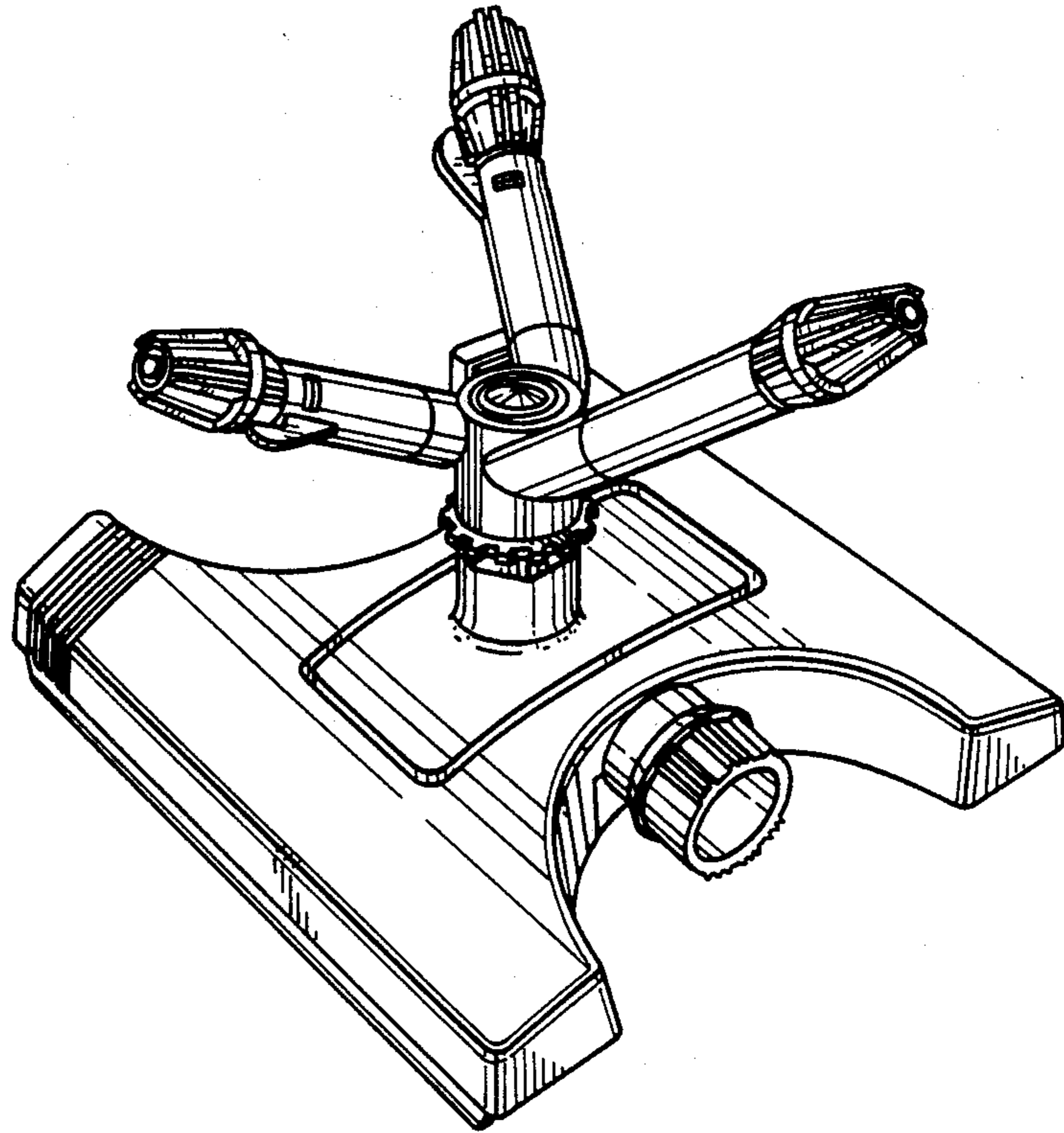


FIG. 2

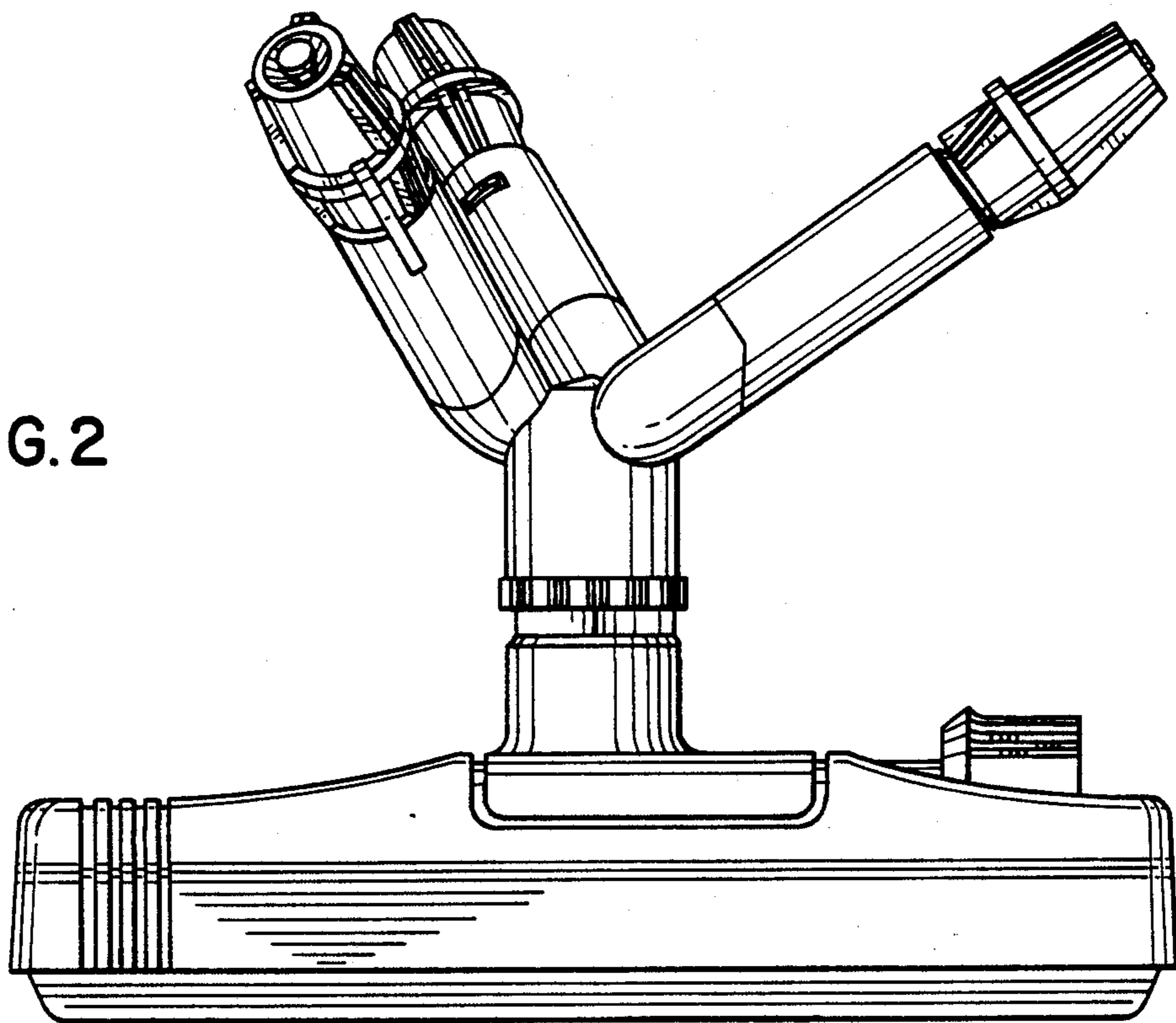


FIG. 3

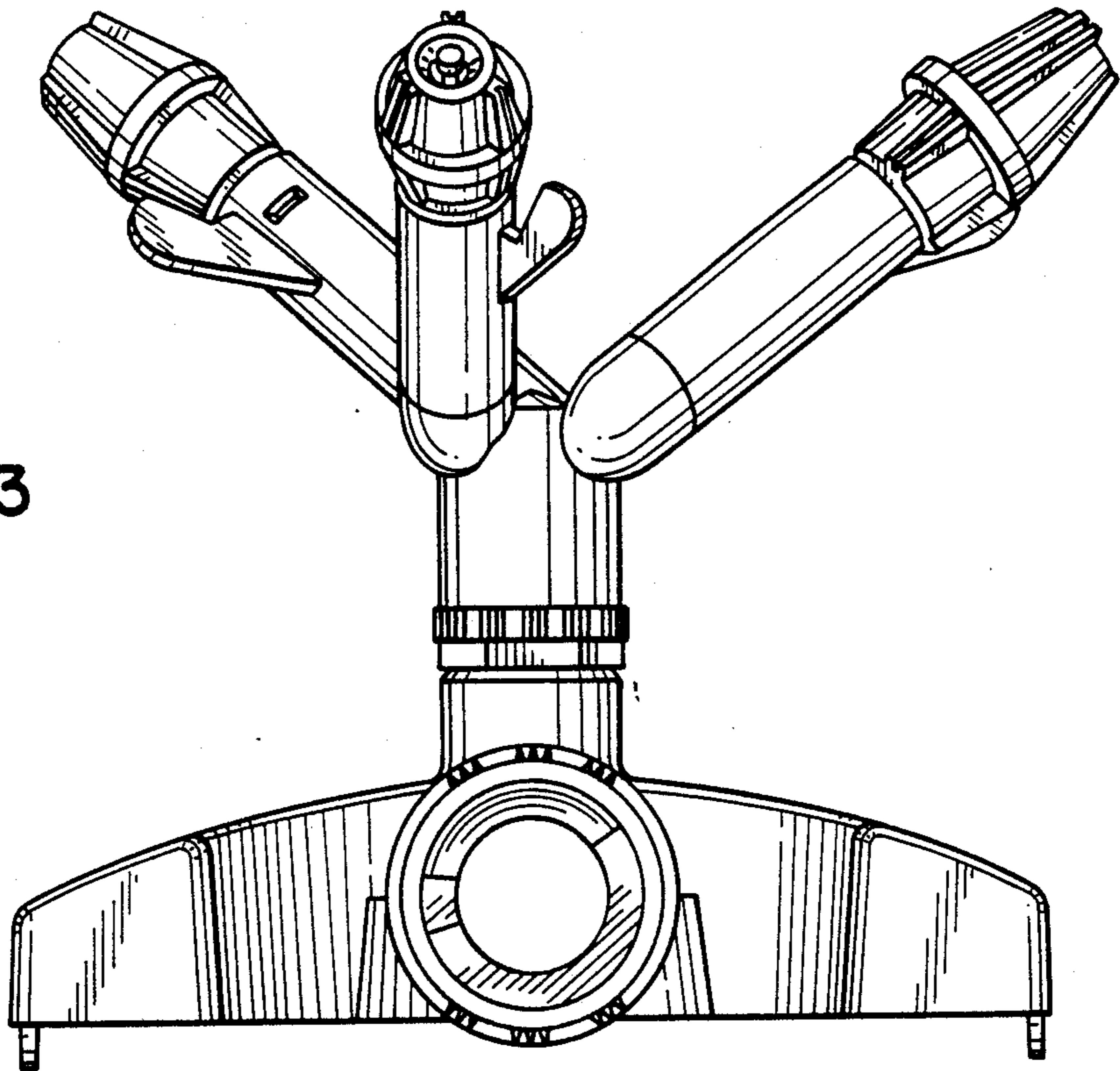
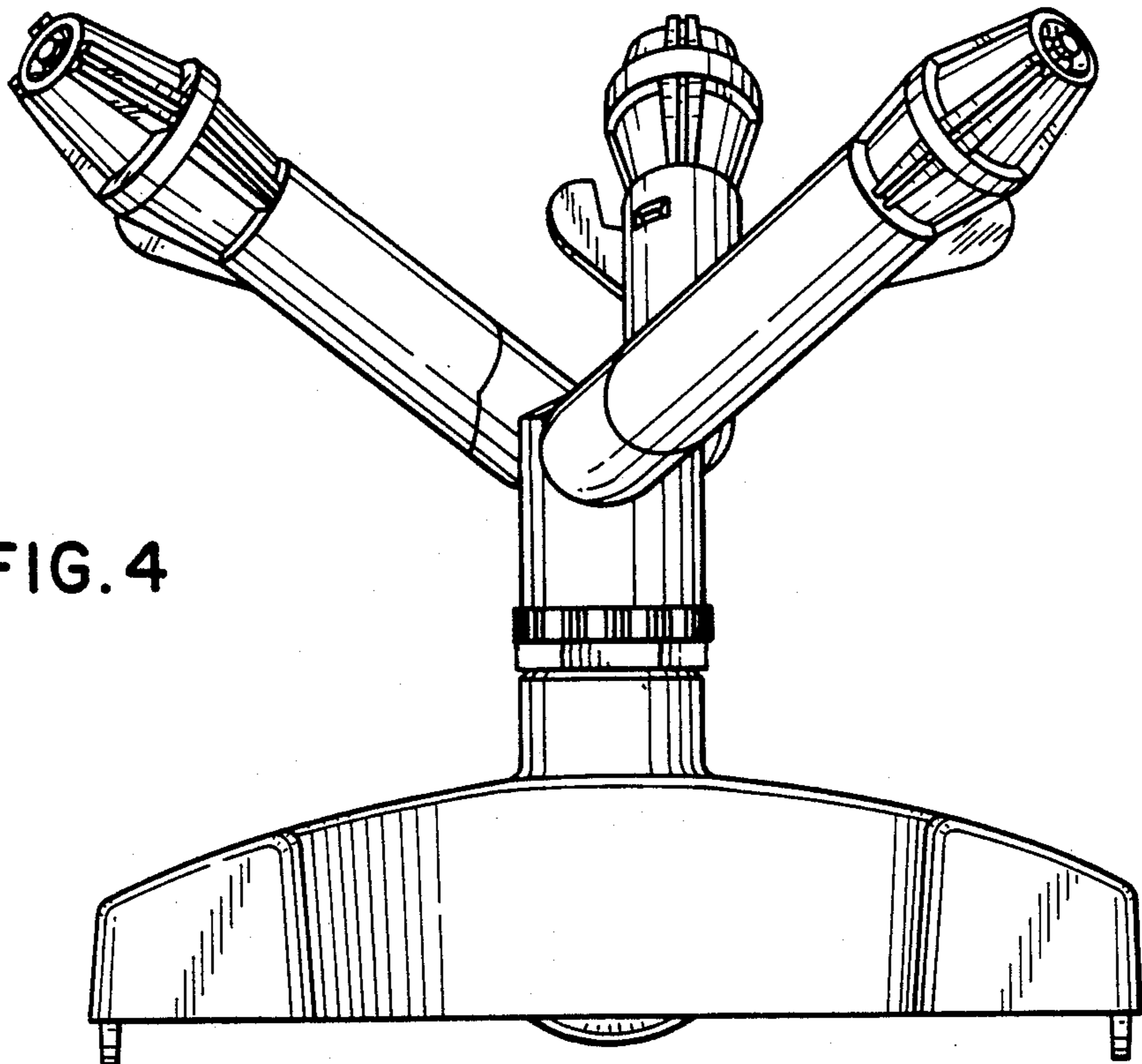


FIG. 4



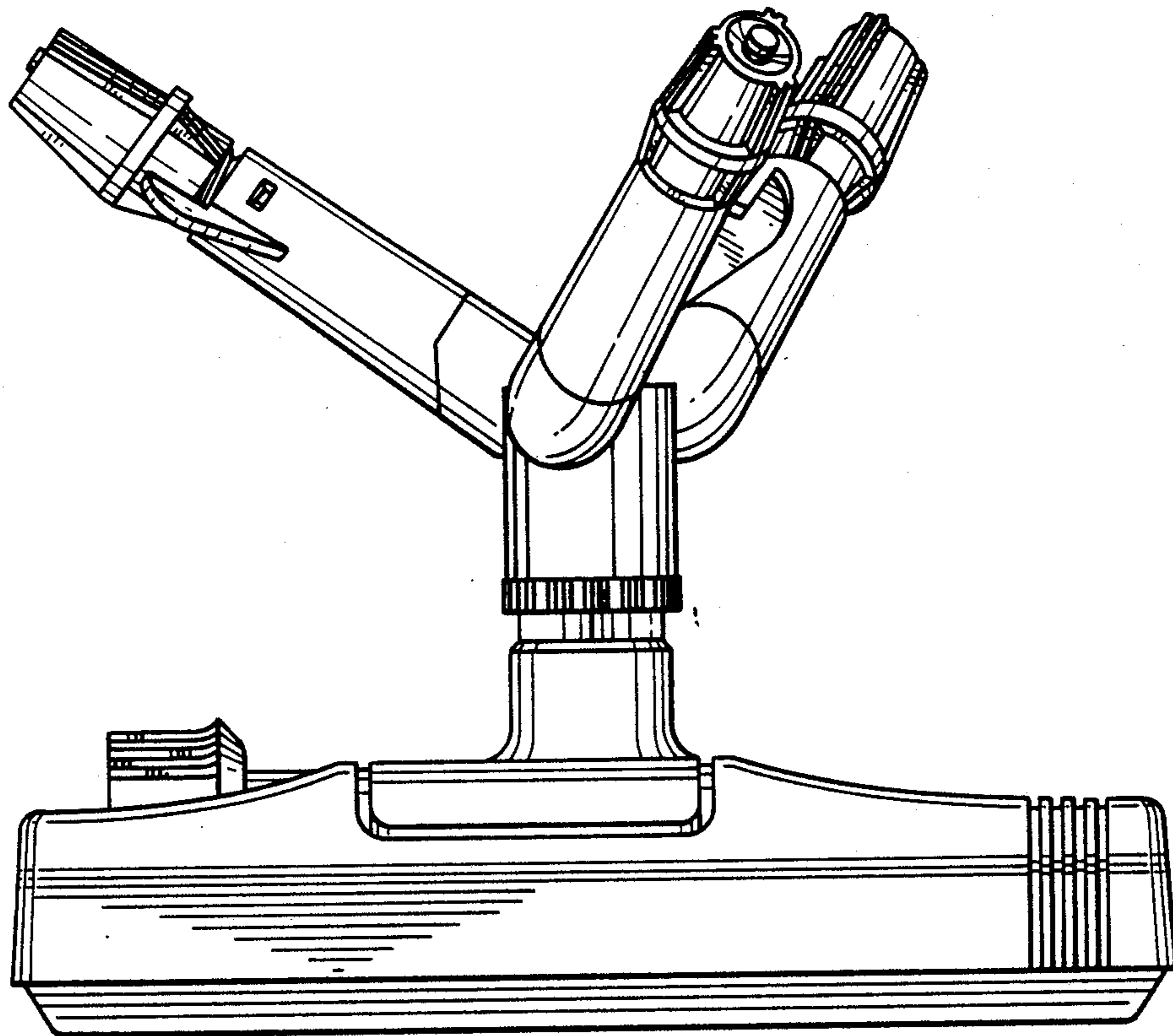


FIG. 5

FIG. 6

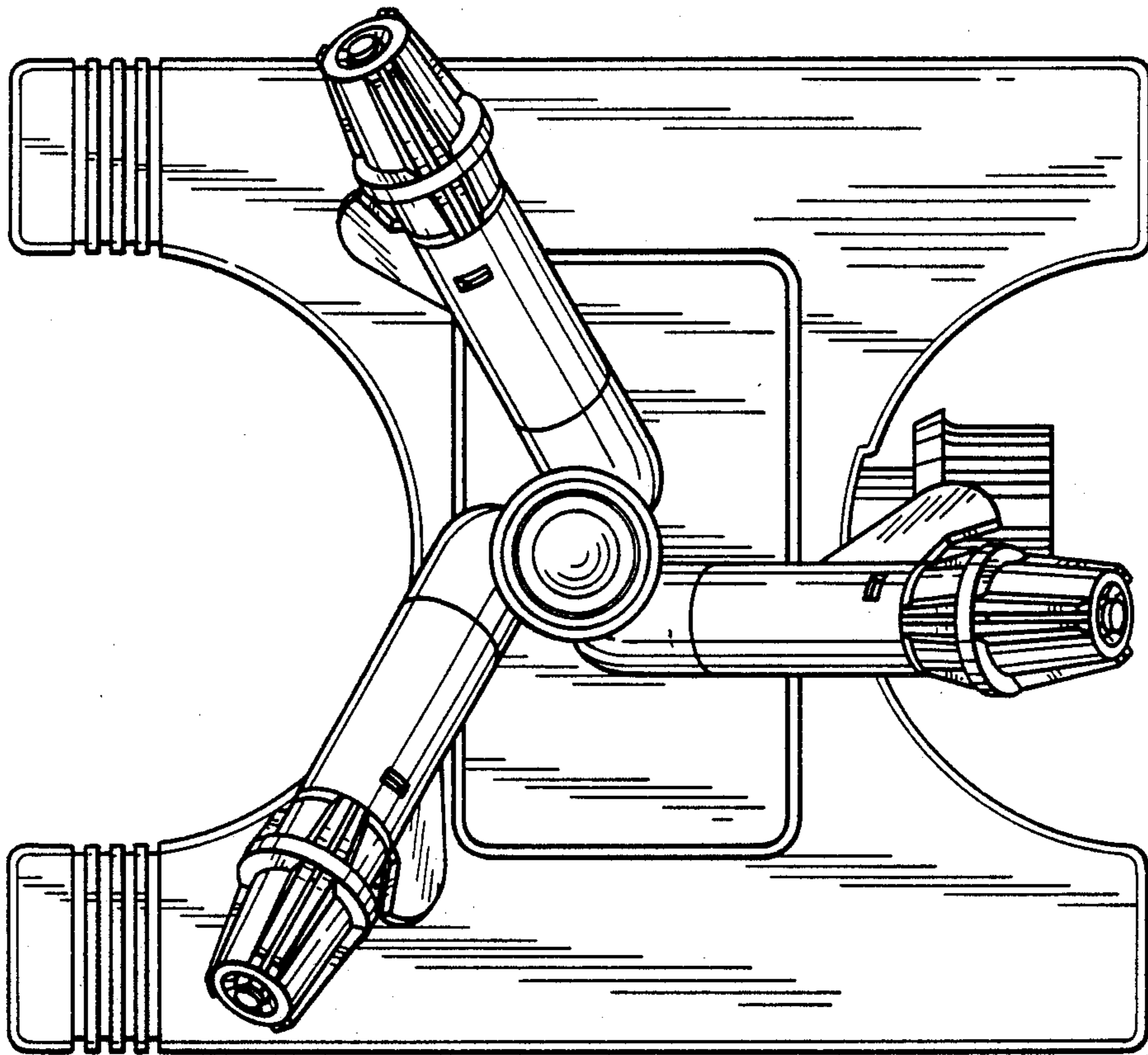


FIG. 7

