

[54] GOLF CLUB HEAD

[76] Inventor: Frank D. Werner, Box SR9, Jackson, Wyo. 83001

[\*\*] Term: 14 Years

[21] Appl. No.: 5,142

[22] Filed: Jan. 20, 1987

[52] U.S. Cl. .... D21/219

[58] Field of Search ..... D21/214-220; 273/163, 167-175, 77, 78

[56] References Cited

U.S. PATENT DOCUMENTS

D. 240,249 6/1976 Chellman ..... D21/219

OTHER PUBLICATIONS

Northwestern 1976 Golf Equipment Cat., p. 27, middle, club No. 390-2600.

Primary Examiner—Melvin B. Feifer  
Attorney, Agent, or Firm—Kinney & Lange

[57] CLAIM

The ornamental design for a golf club head, as shown and described.

DESCRIPTION

FIG. 1 is a perspective view of a golf club head embodying a first preferred form of my new design; FIG. 2 is a front view of the golf club head shown in FIG. 1; FIG. 3 is a rear view of the golf club head shown in FIG. 1;

FIG. 4 is a side view thereof taken from the side shown in FIG. 1;

FIG. 5 is a side view thereof taken from the side opposite that shown in FIG. 1;

FIG. 6 is a top plan view of the golf club head shown in FIG. 1;

FIG. 7 is a bottom plan view of the golf club head shown in FIG. 1;

FIG. 8 is a perspective view of a golf club head embodying a second preferred form of my new design;

FIG. 9 is a front view of the golf club head shown in FIG. 8;

FIG. 10 is a rear view of the golf club head shown in FIG. 8;

FIG. 11 is a side view thereof taken from the side shown in FIG. 8;

FIG. 12 is a side view thereof taken from the side opposite of that shown in FIG. 8;

FIG. 13 is a top plan view of the golf club head shown in FIG. 8;

FIG. 14 is a bottom plan view of the golf club head shown in FIG. 8;

FIG. 15 is a perspective view of a golf club head embodying a third preferred form of my new design.

FIG. 16 is a front view of the golf club head shown in FIG. 15;

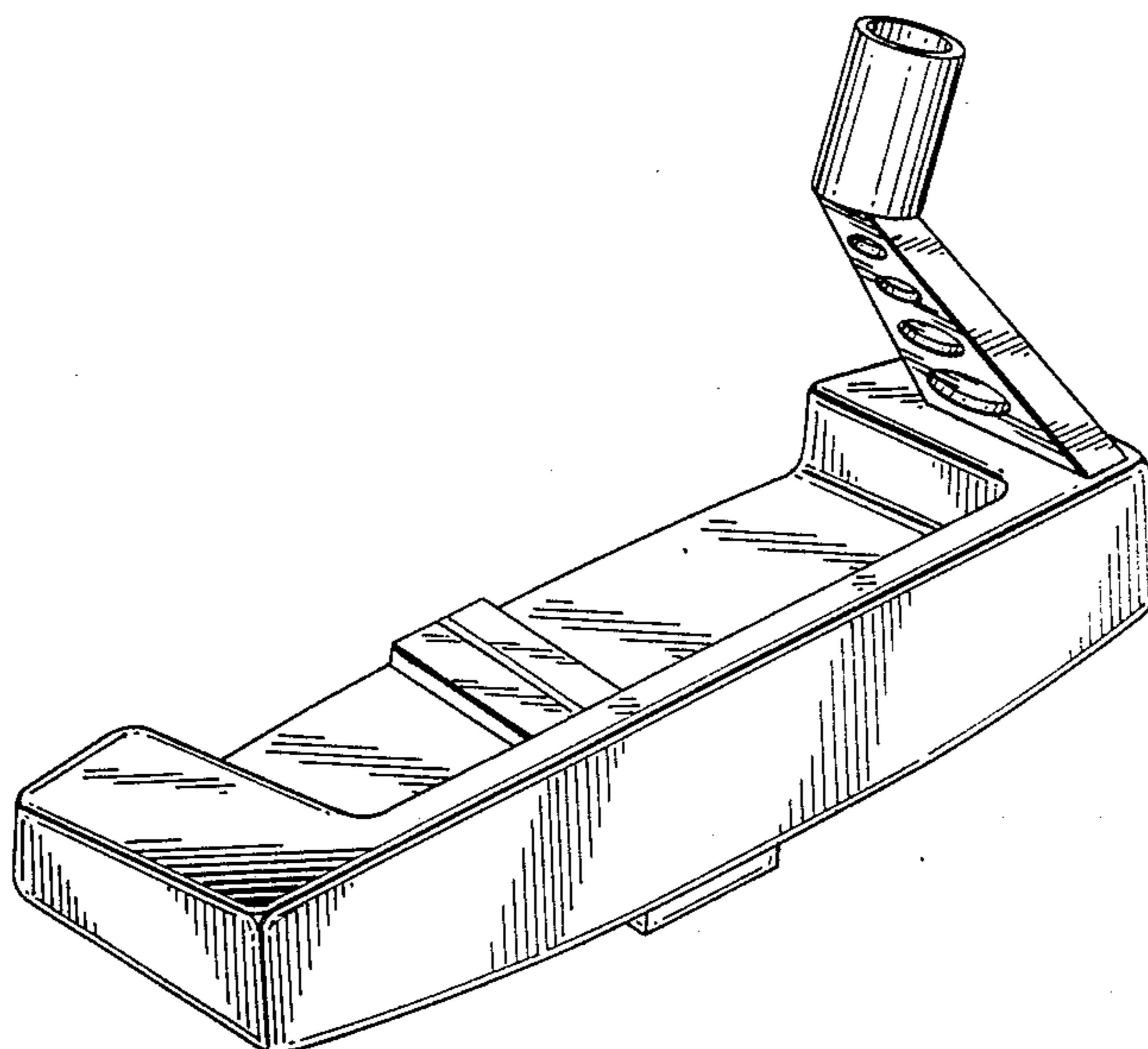
FIG. 17 is a rear view of the golf club head shown in FIG. 15;

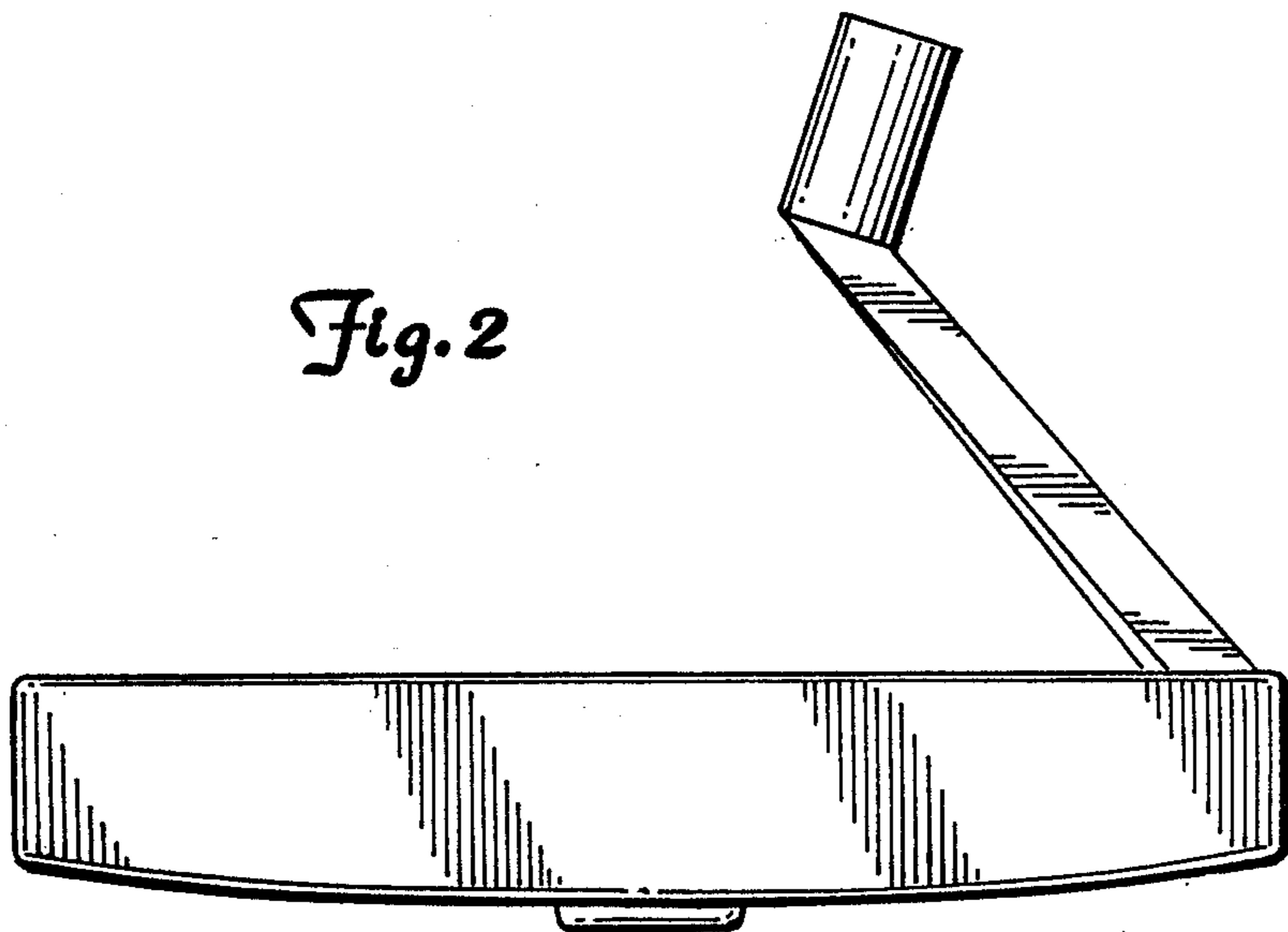
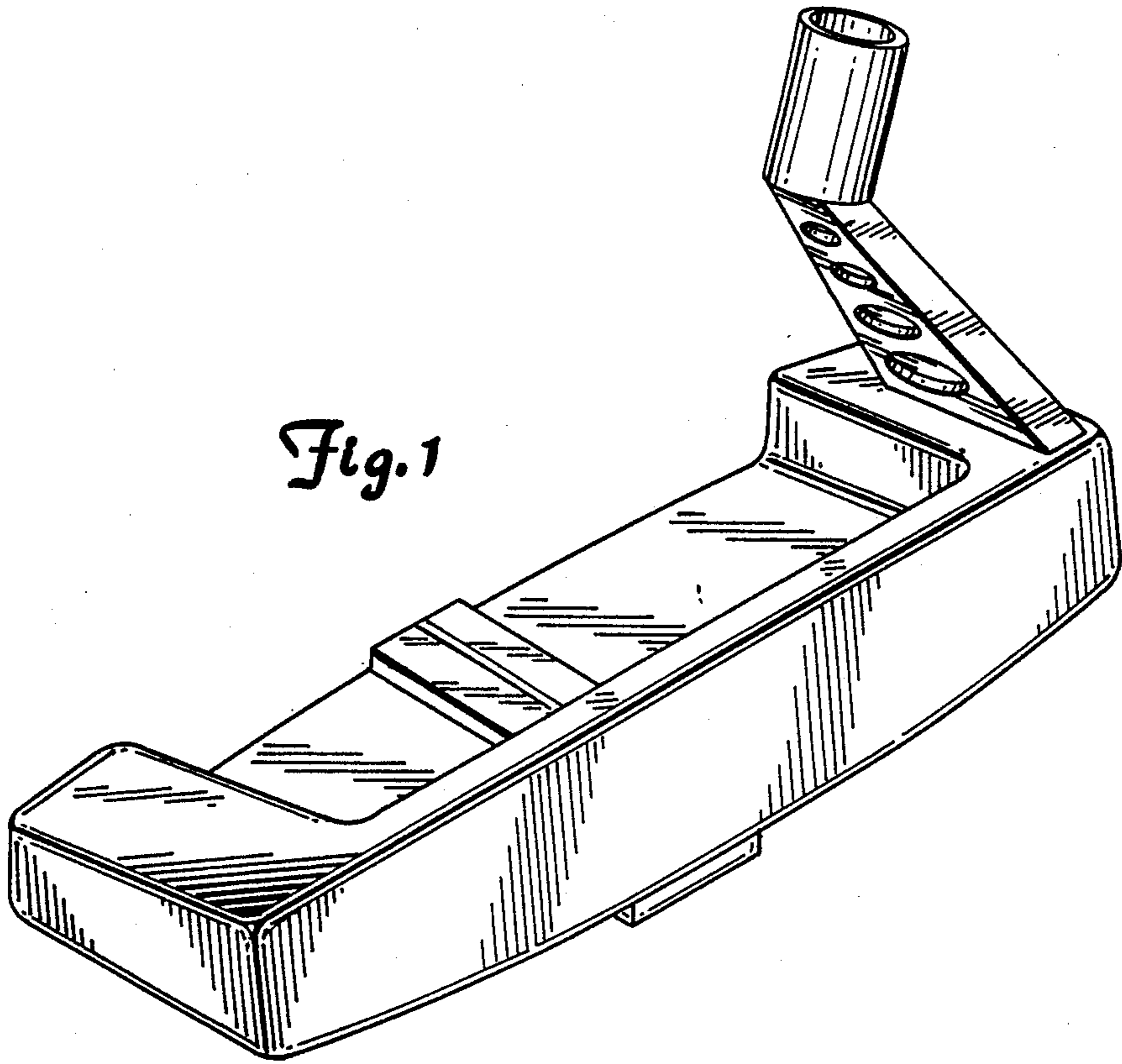
FIG. 18 is a side view thereof taken from the side shown in FIG. 15;

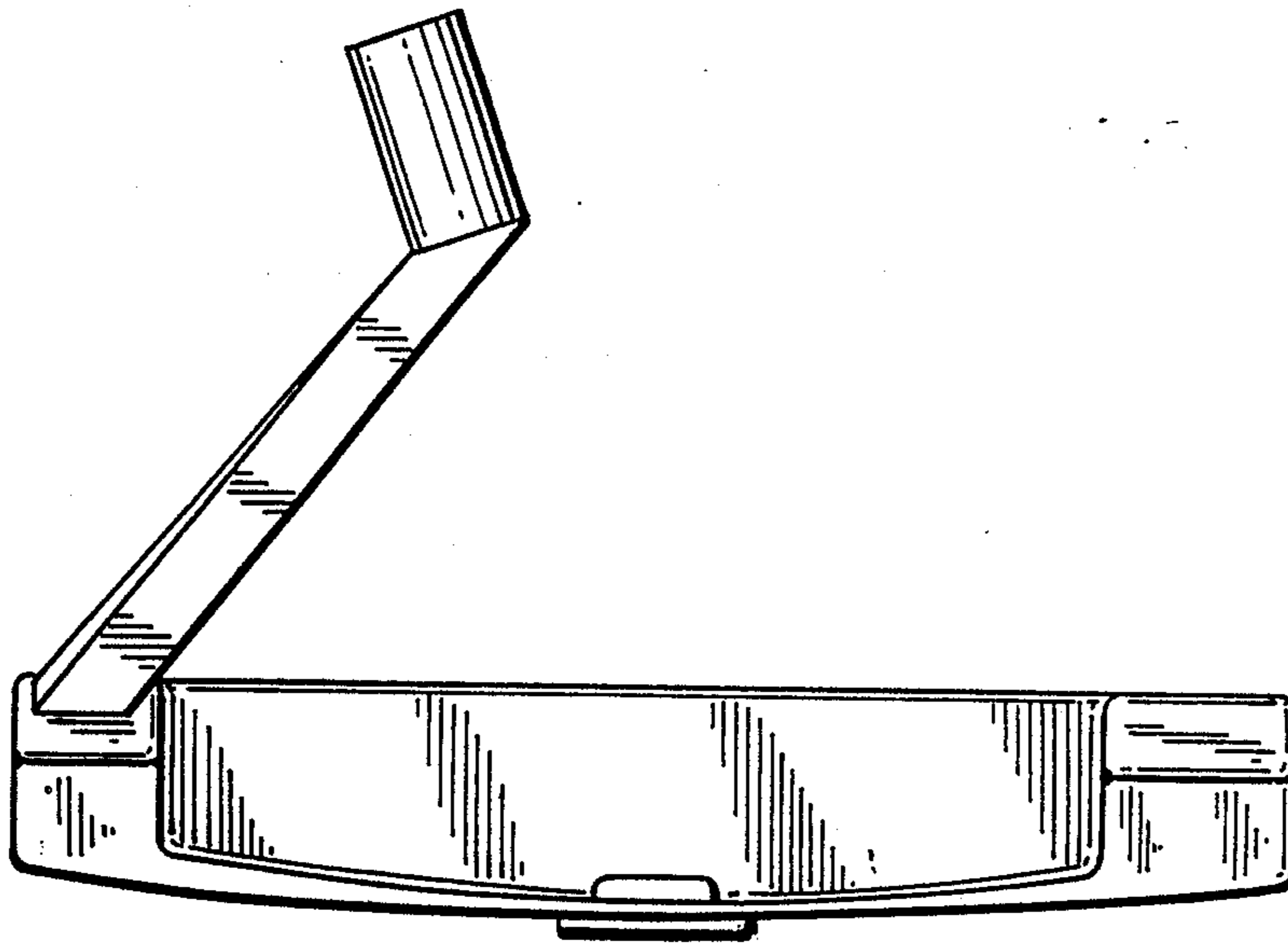
FIG. 19 is a side view thereof taken from the side opposite of that shown in FIG. 15;

FIG. 20 is a top plan view of the gold club head shown in FIG. 15; and

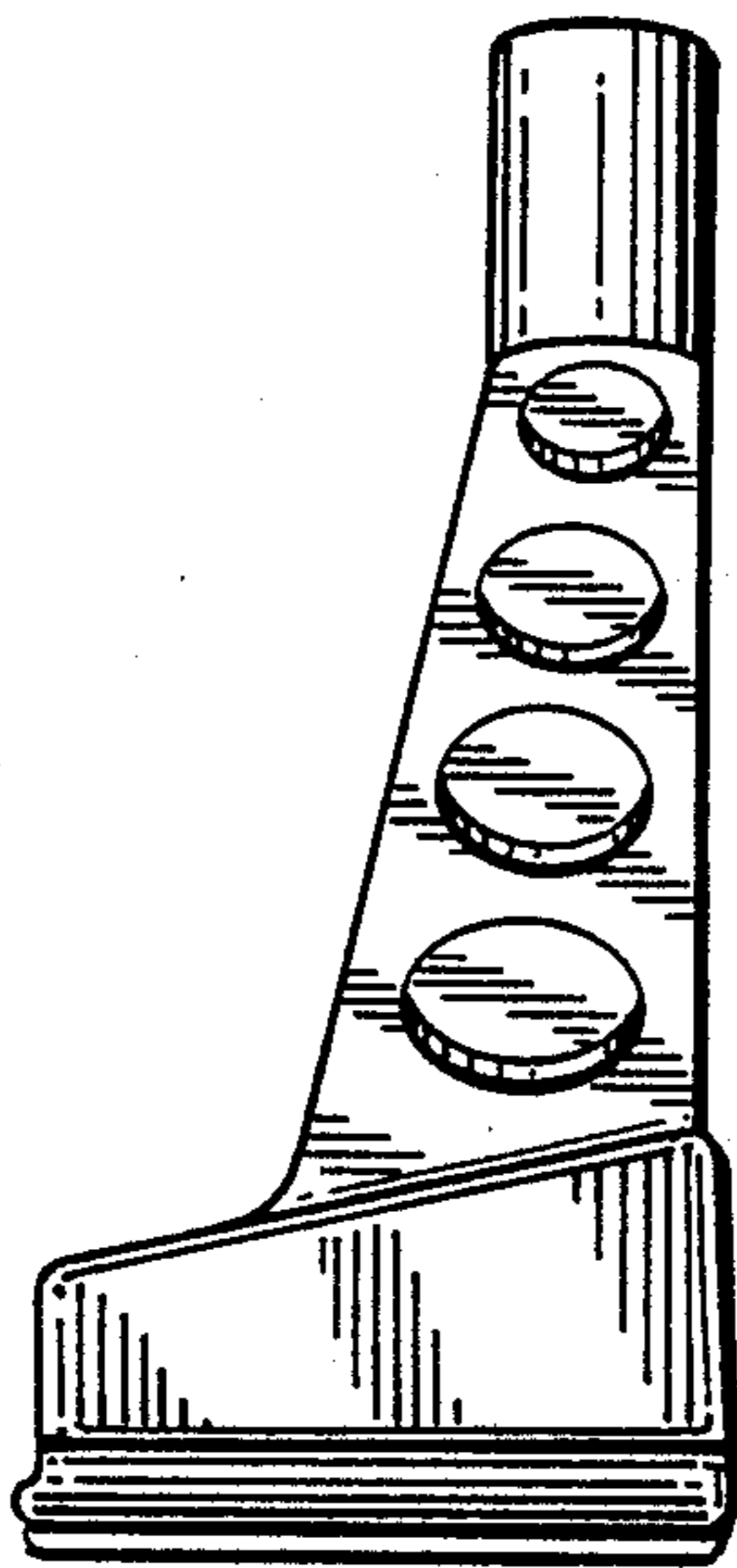
FIG. 21 is a bottom plan view of the golf club head shown in FIG. 15.



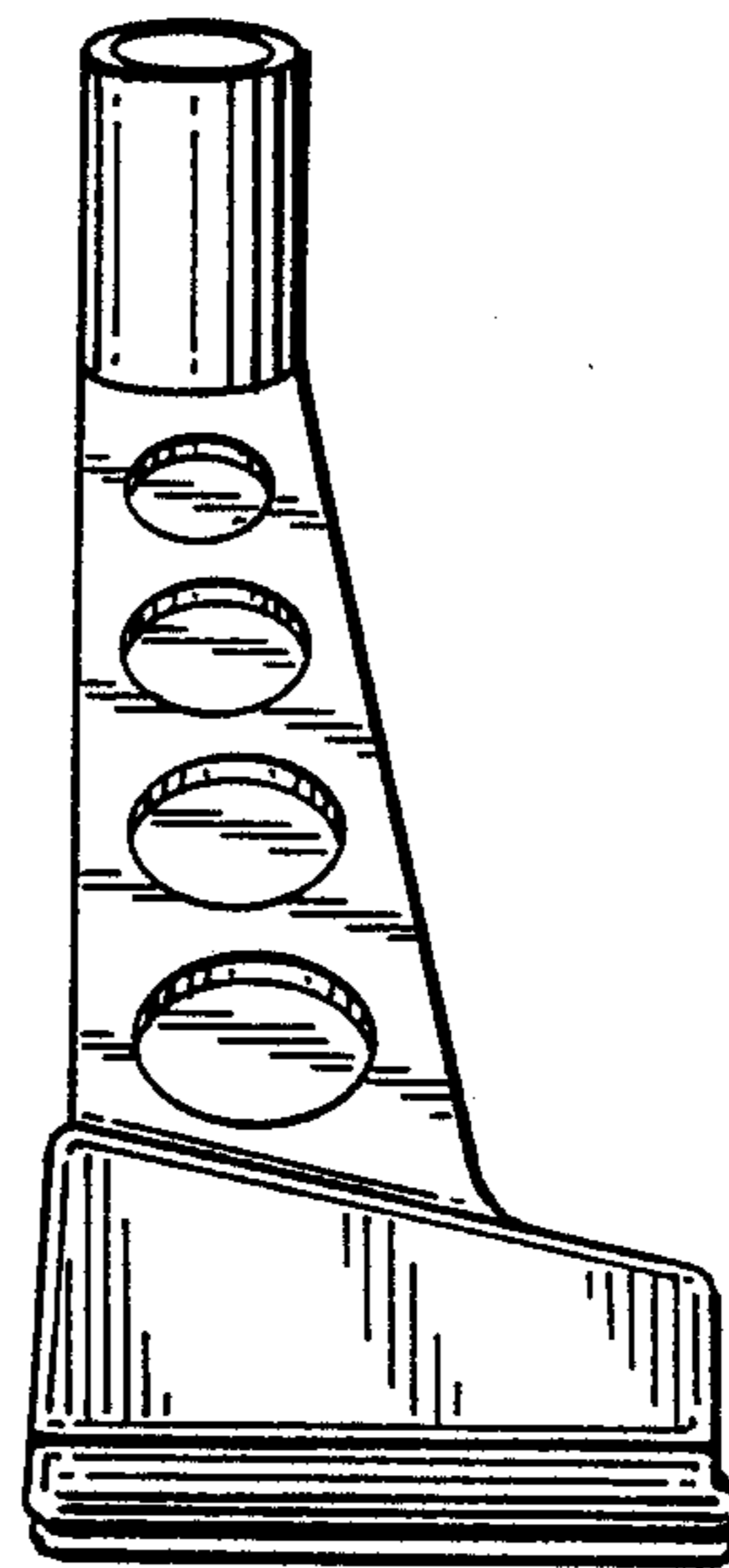




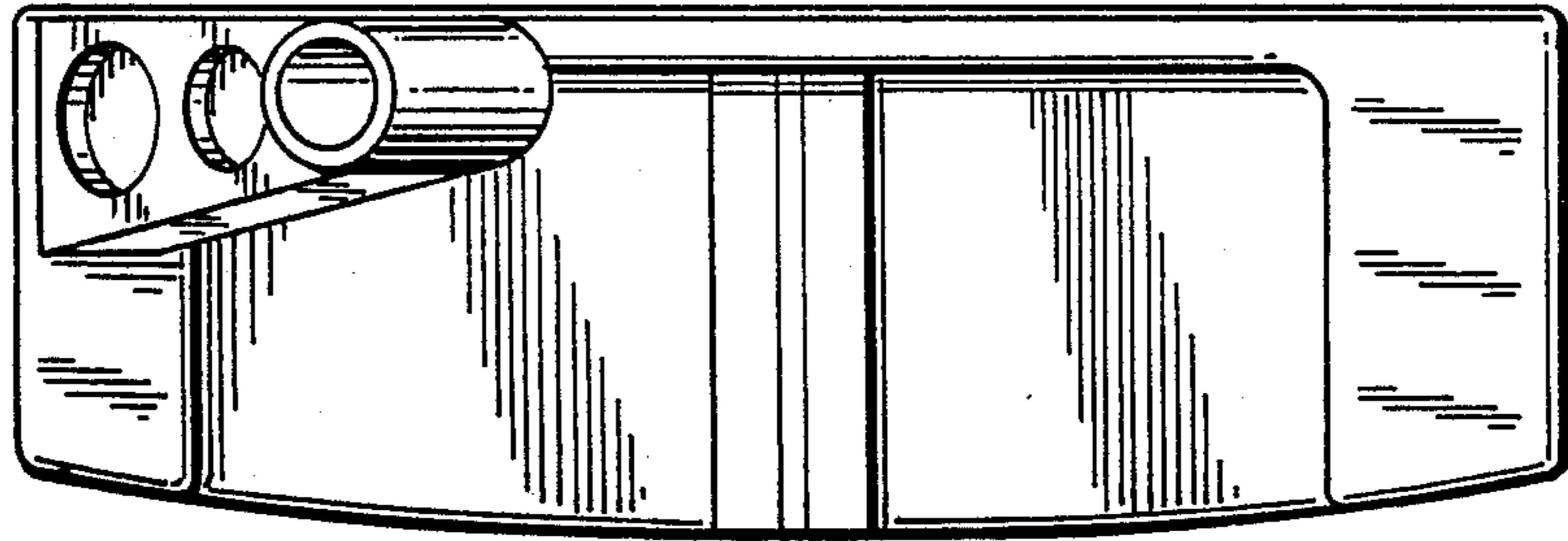
*Fig. 3*



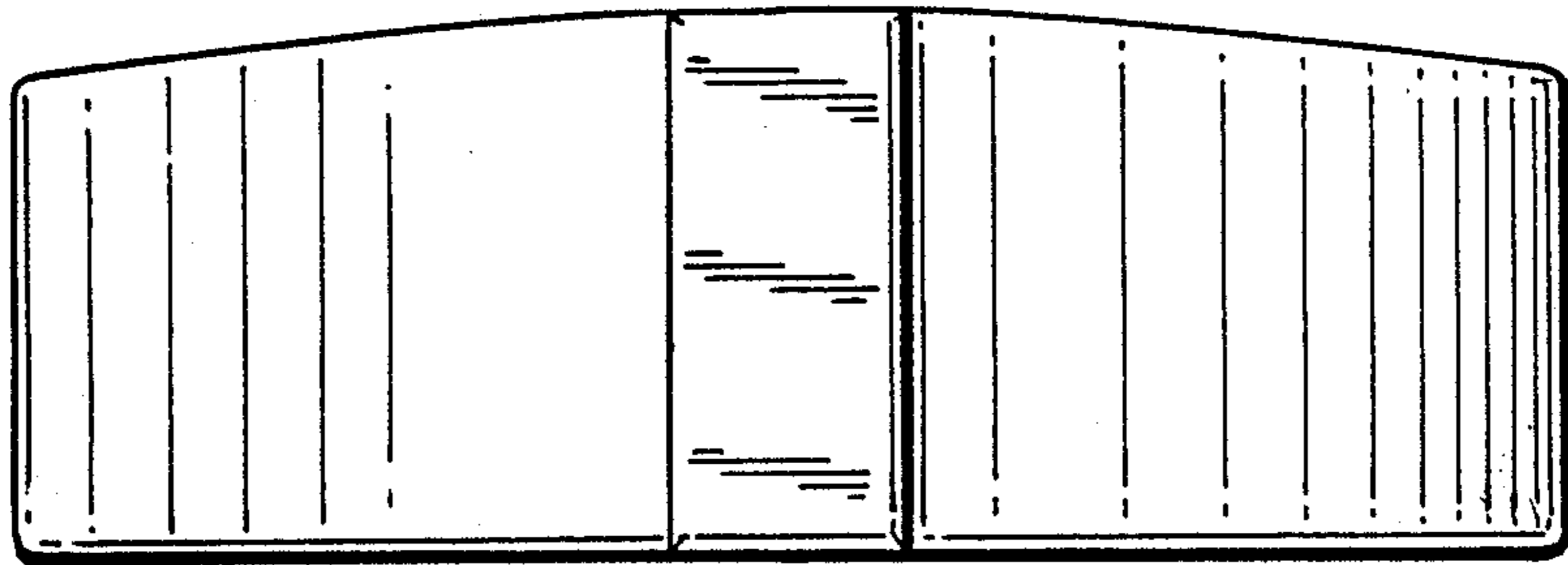
*Fig. 4*



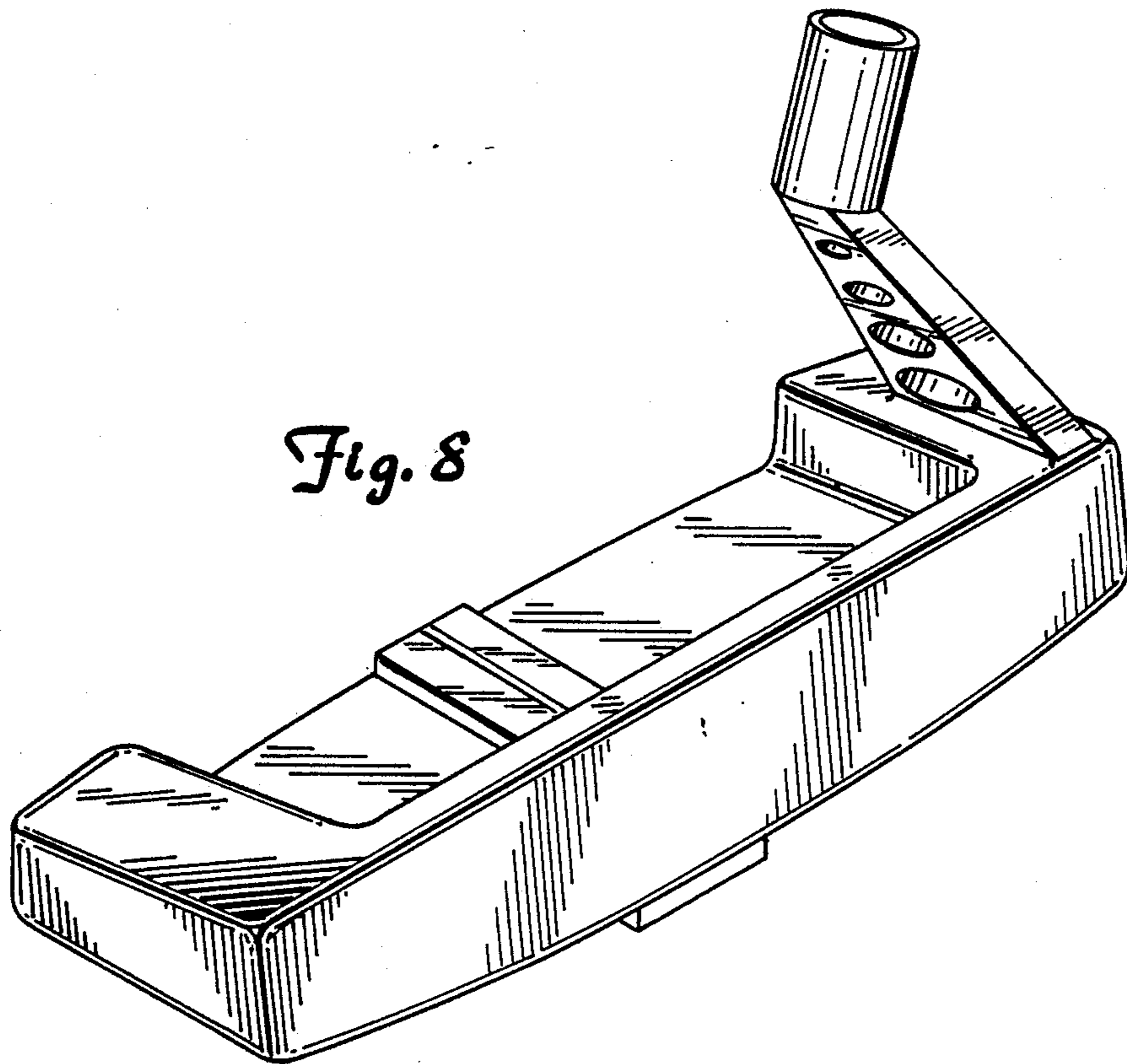
*Fig. 5*



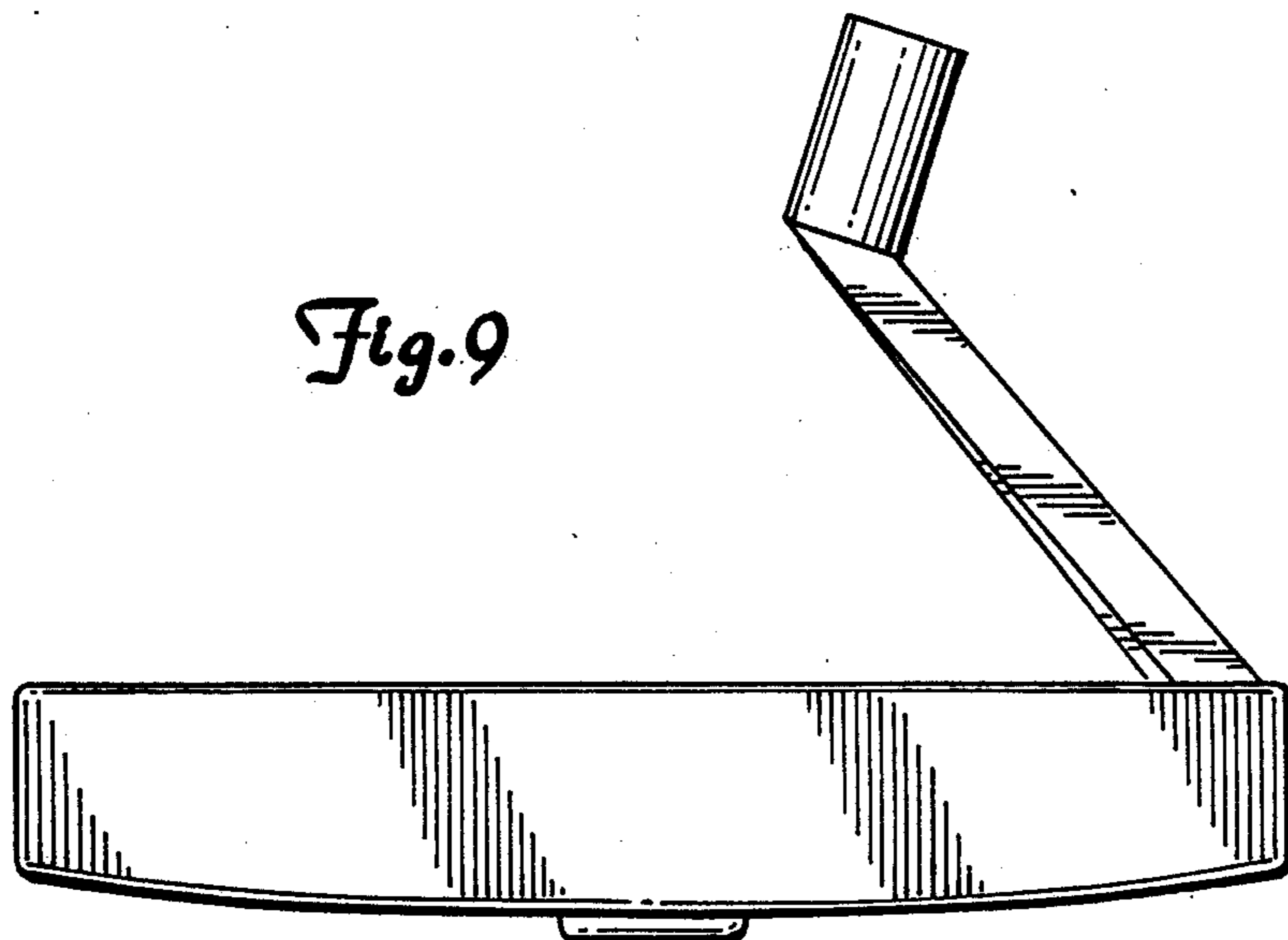
*Fig. 6*



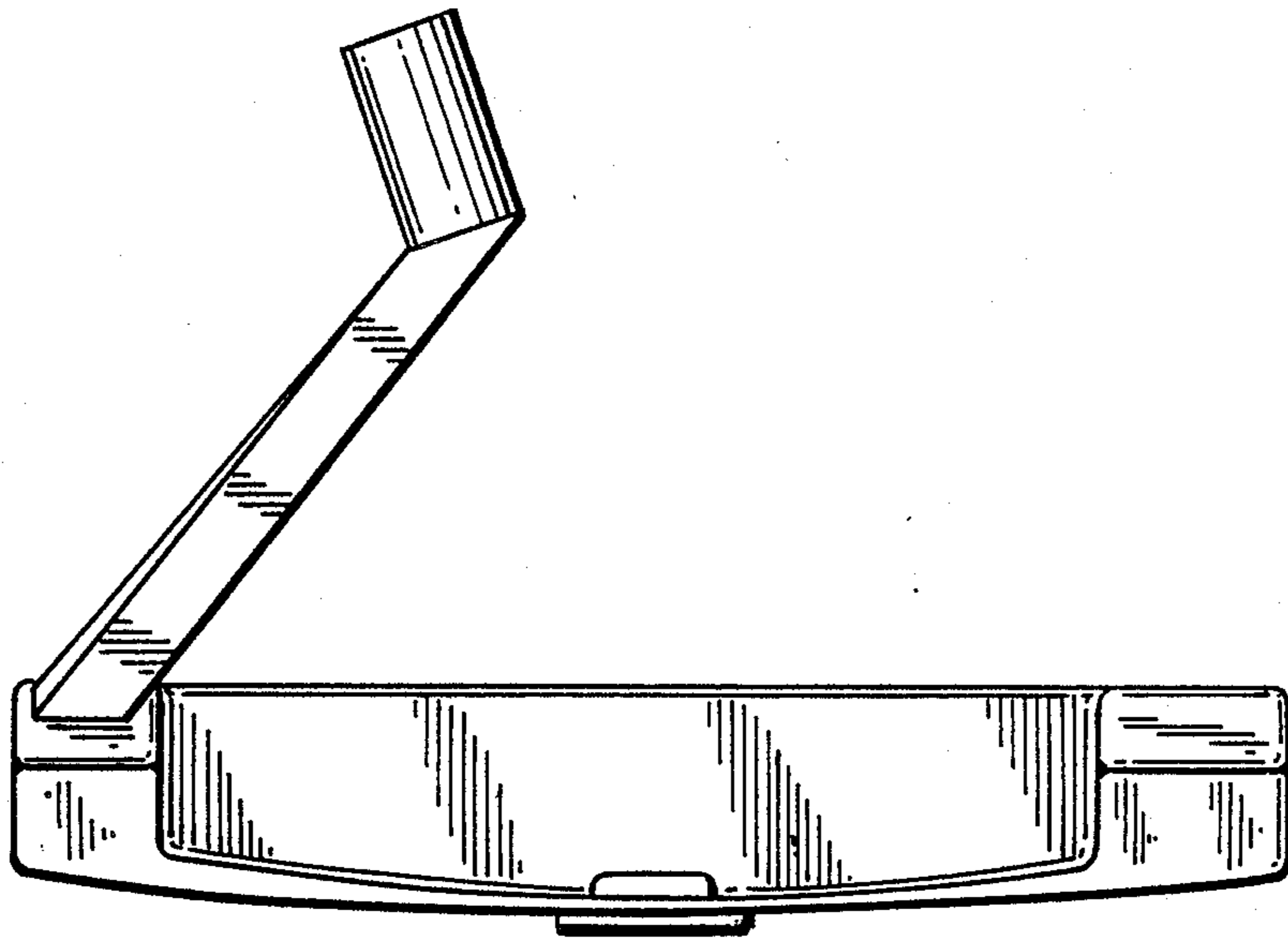
*Fig. 7*



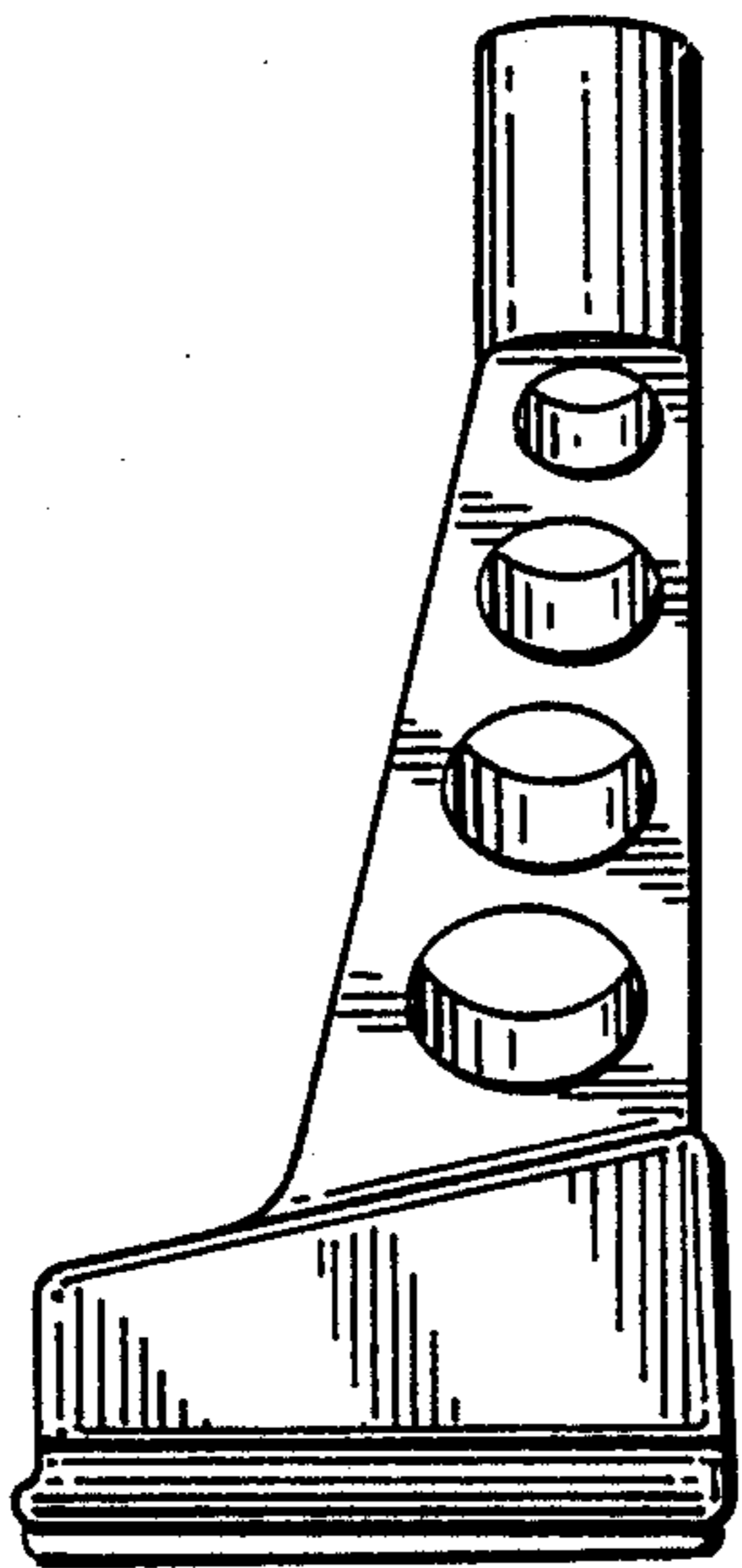
*Fig. 8*



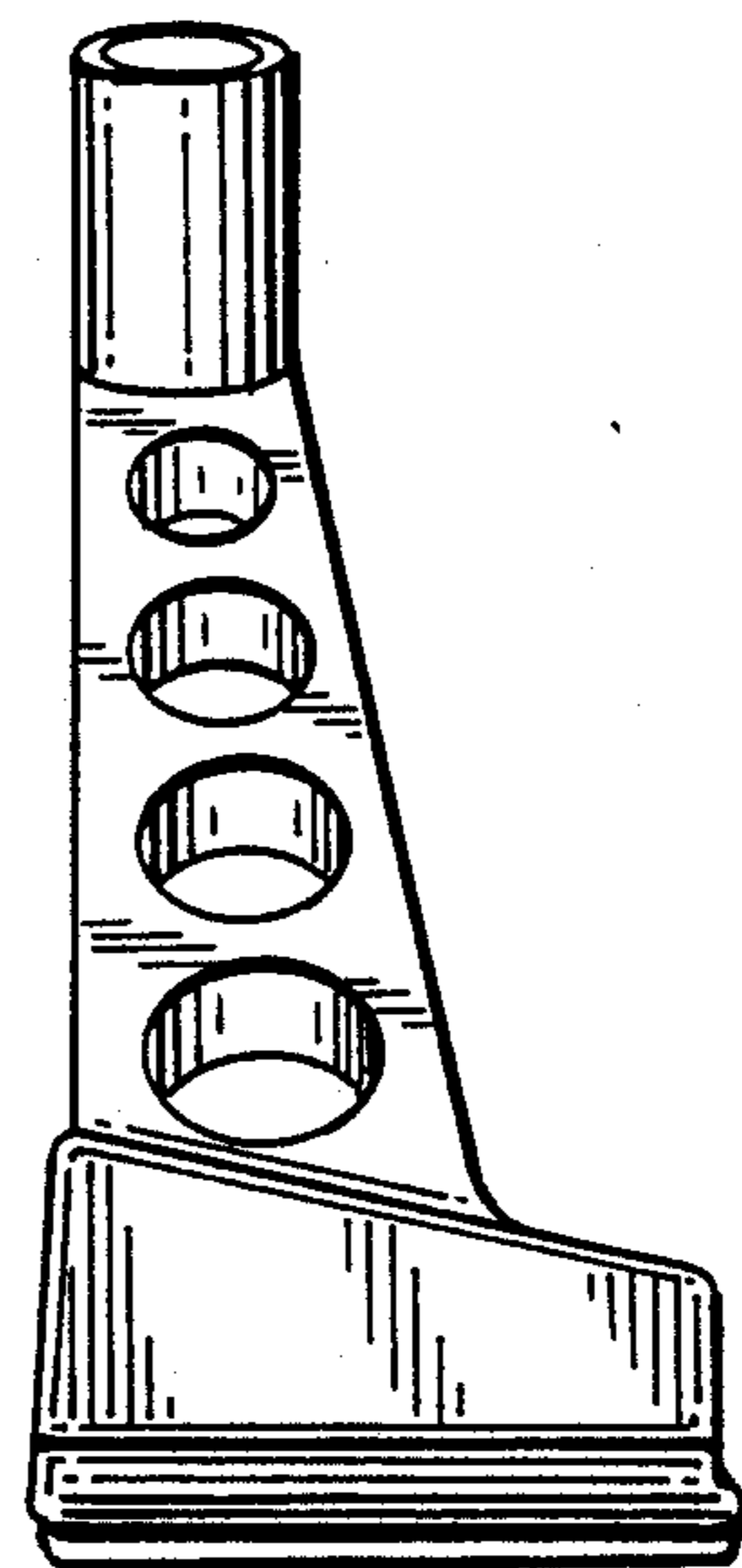
*Fig. 9*



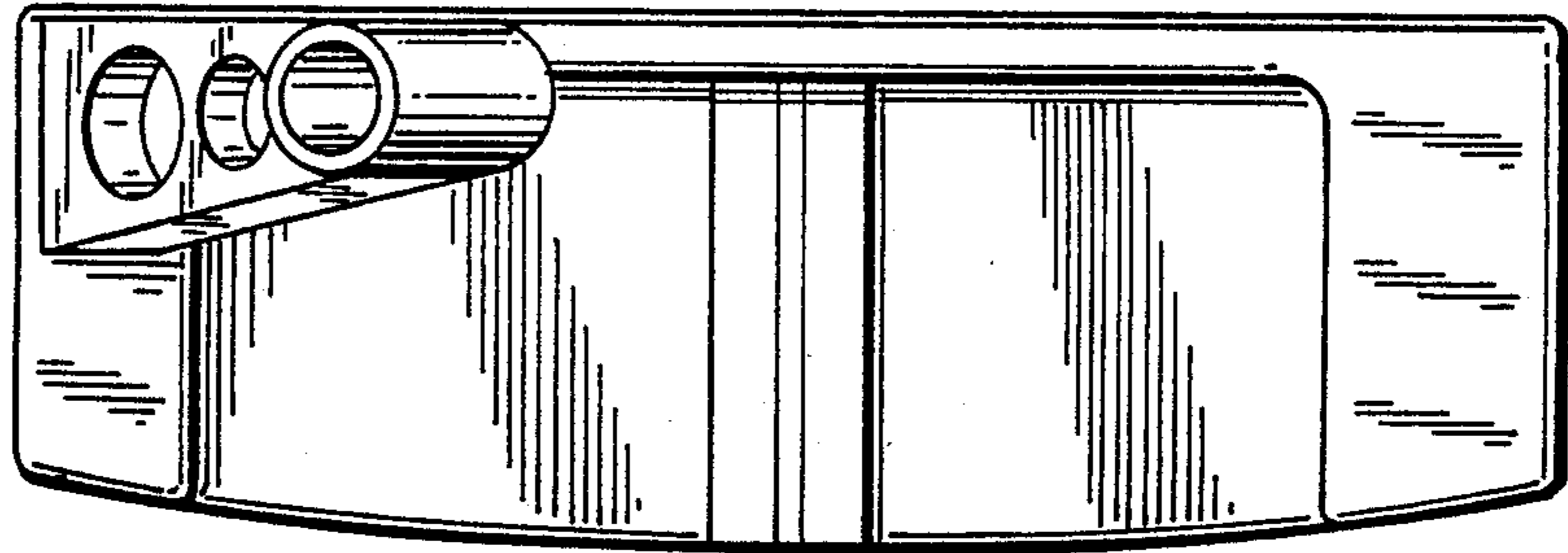
*Fig. 10*



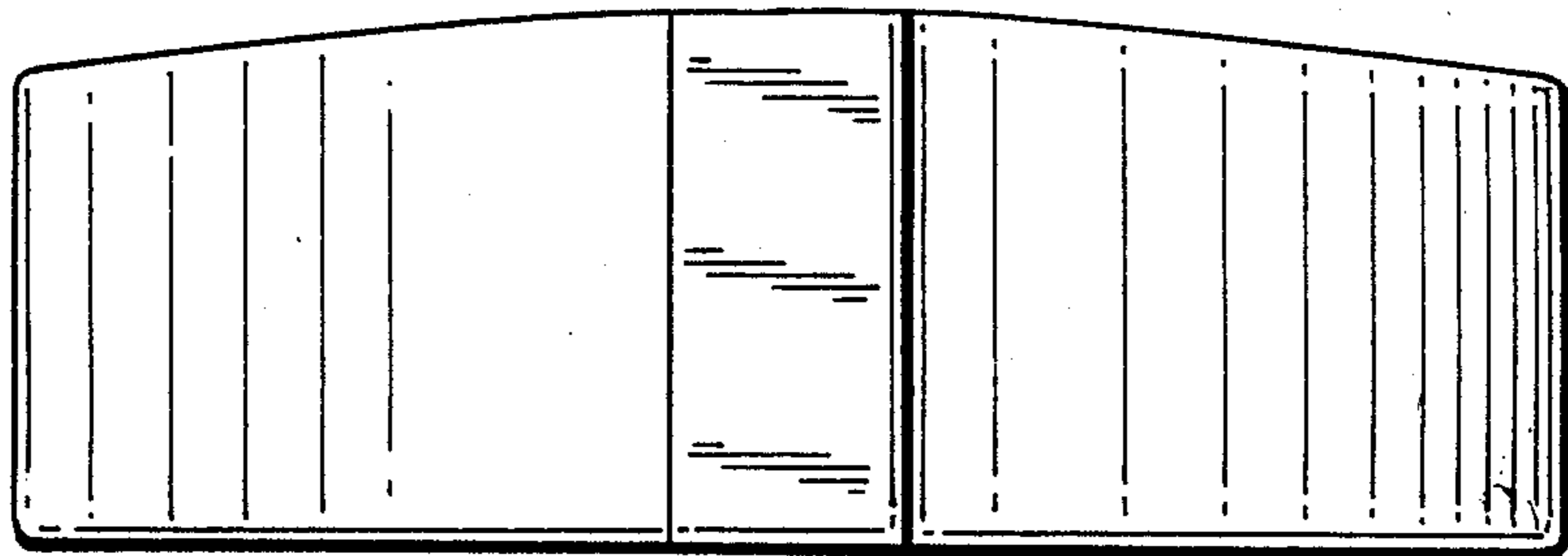
*Fig. 11*



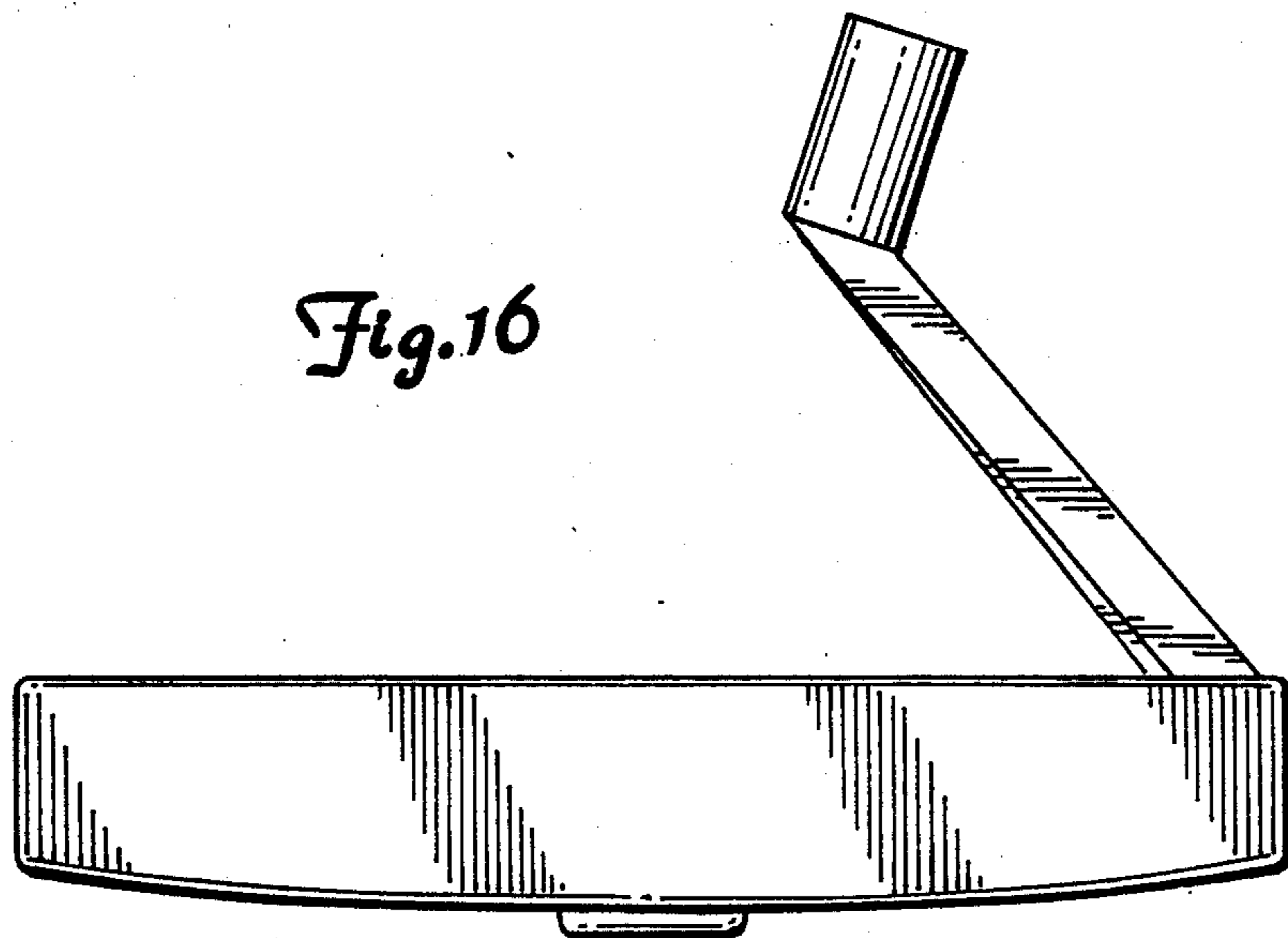
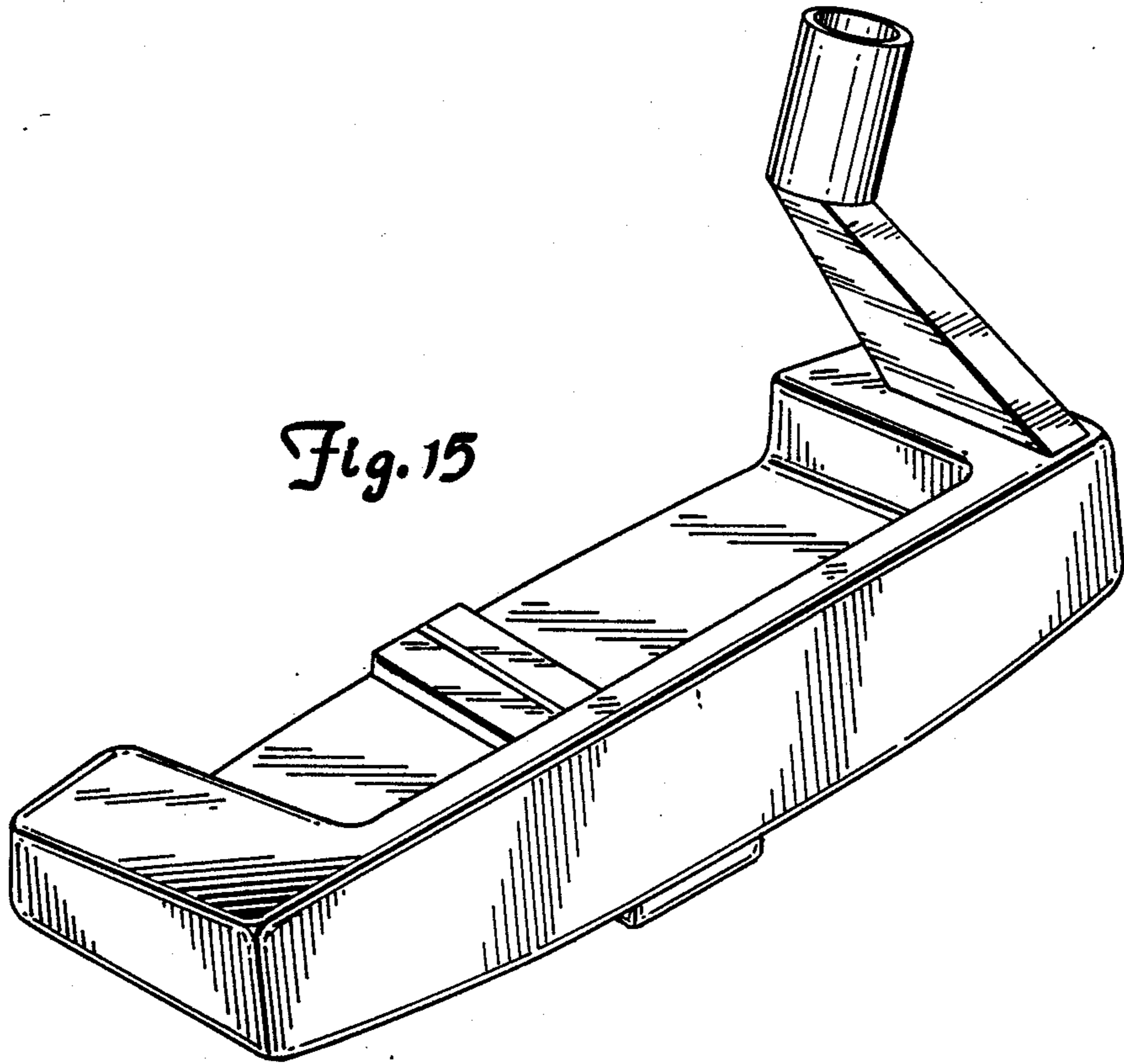
*Fig. 12*



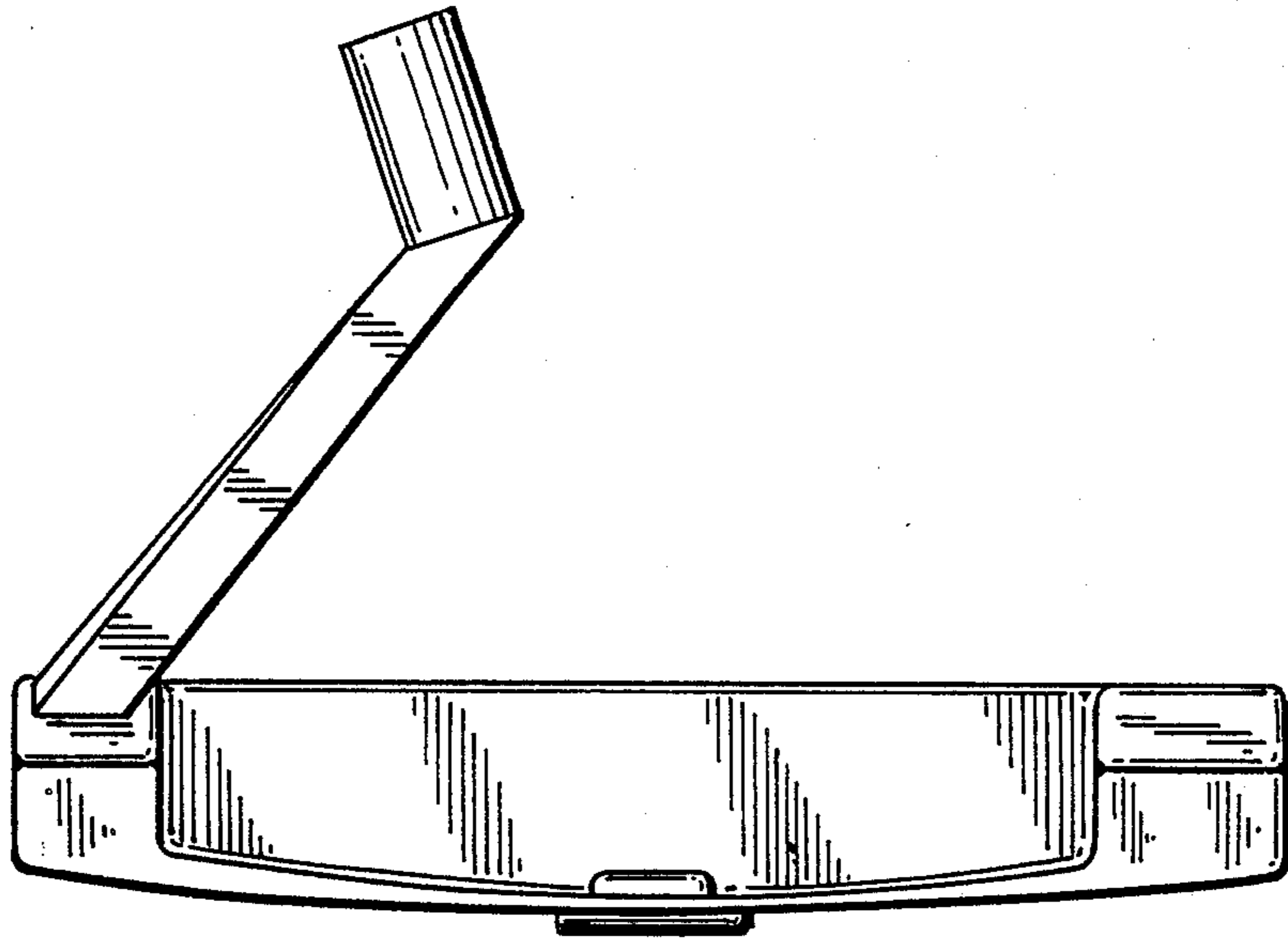
*Fig. 13*



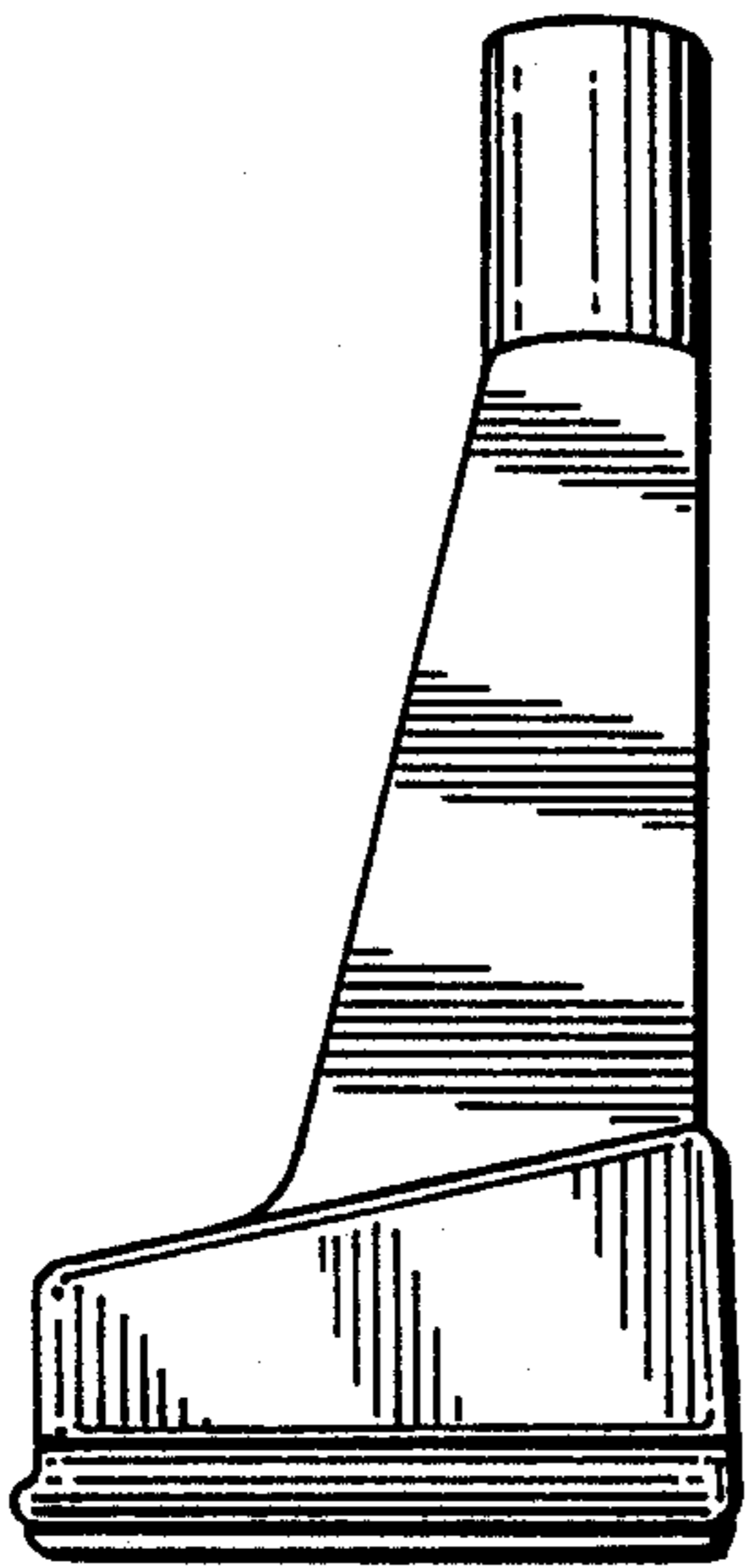
*Fig. 14*



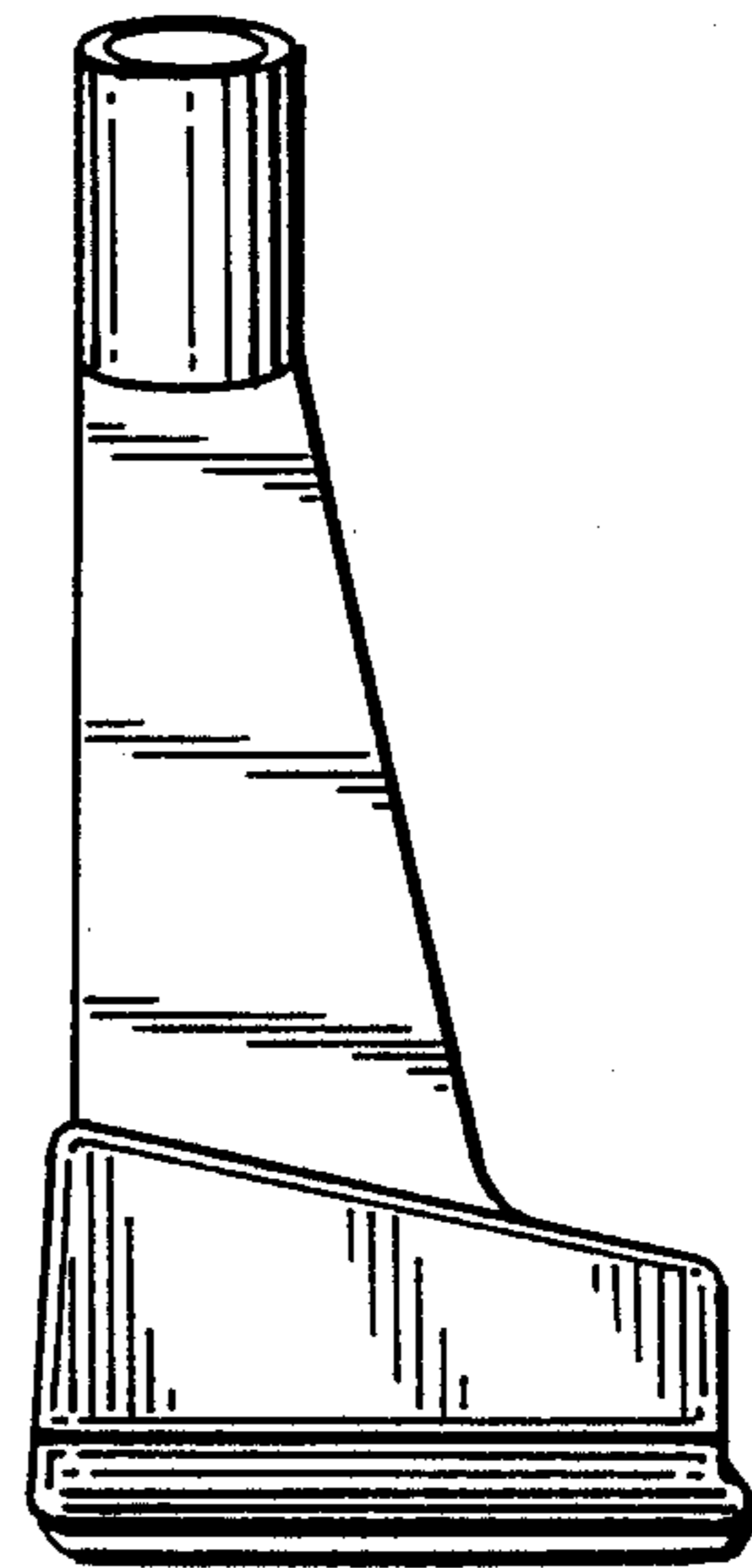




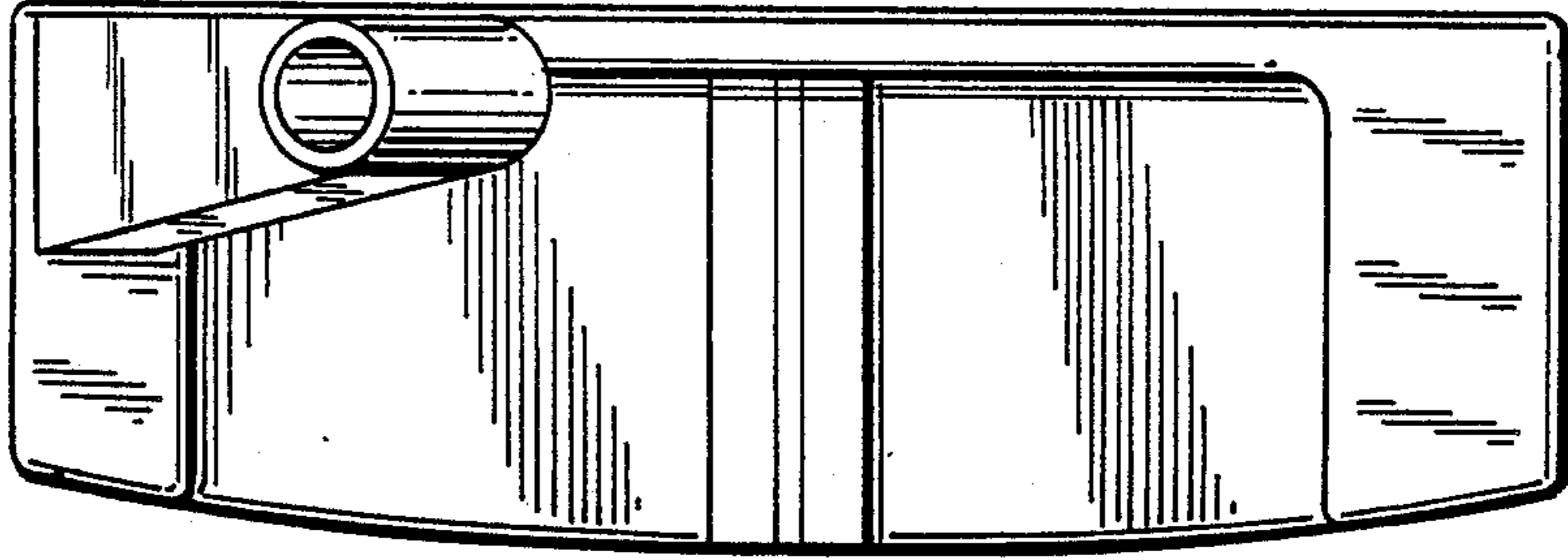
*Fig. 17*



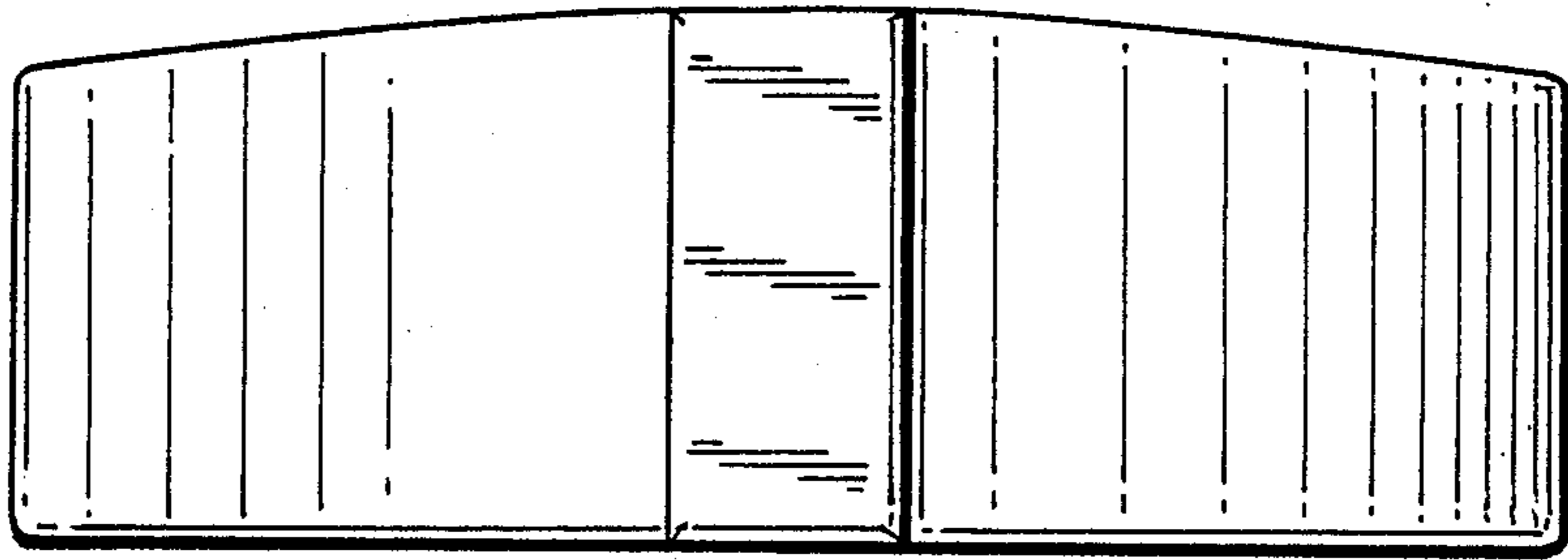
*Fig. 18*



*Fig. 19*



*Fig. 20*



*Fig. 21*