

[54] LOTTERY NUMBER SELECTOR

[76] Inventor: William D. Rice, 1350 Limeridge Road East, Unit #52, Hamilton, Ontario, Canada, L8W 1L6

[**] Term: 14 Years

[21] Appl. No.: 67,814

[22] Filed: Jun. 30, 1987

[52] U.S. Cl. D21/37

[58] Field of Search D21/1, 12, 14-21, D21/25, 32, 37, 39, 48, 51, 53, 54; 273/138 R, 144 R, 144 A, 144 B, 145 R, 145 C, 153 R; 206/457, 528-540, 822; 229/6 R, 8; D9/307, 332

[56] References Cited

U.S. PATENT DOCUMENTS

- D. 255,547 6/1980 Grodin D9/418
- 70,469 11/1867 Raymond 273/123 R
- 606,744 7/1898 St. John 273/236 X
- 687,983 12/1901 Hartnett D9/332 X

- 688,561 12/1901 Volk, Jr. 273/153 R
- 1,200,340 10/1916 Greenwood 273/139
- 3,228,690 1/1966 Allen D21/37 X

FOREIGN PATENT DOCUMENTS

- 398904 6/1909 France 229/8

Primary Examiner—Bernard Ansher

Assistant Examiner—C. Tuttle

[57] CLAIM

The ornamental design for a lottery number selector, as shown.

DESCRIPTION

FIG. 1 is a top perspective view of a lottery number selector showing my new design;
 FIG. 2 is a front elevational view thereof;
 FIG. 3 is top plan view thereof;
 FIG. 4 is a left side elevational view thereof;
 FIG. 5 is a right side elevational view thereof; and
 FIG. 6 is a bottom plan view thereof;
 FIG. 7 is a front elevational view of a modified embodiment of the design.

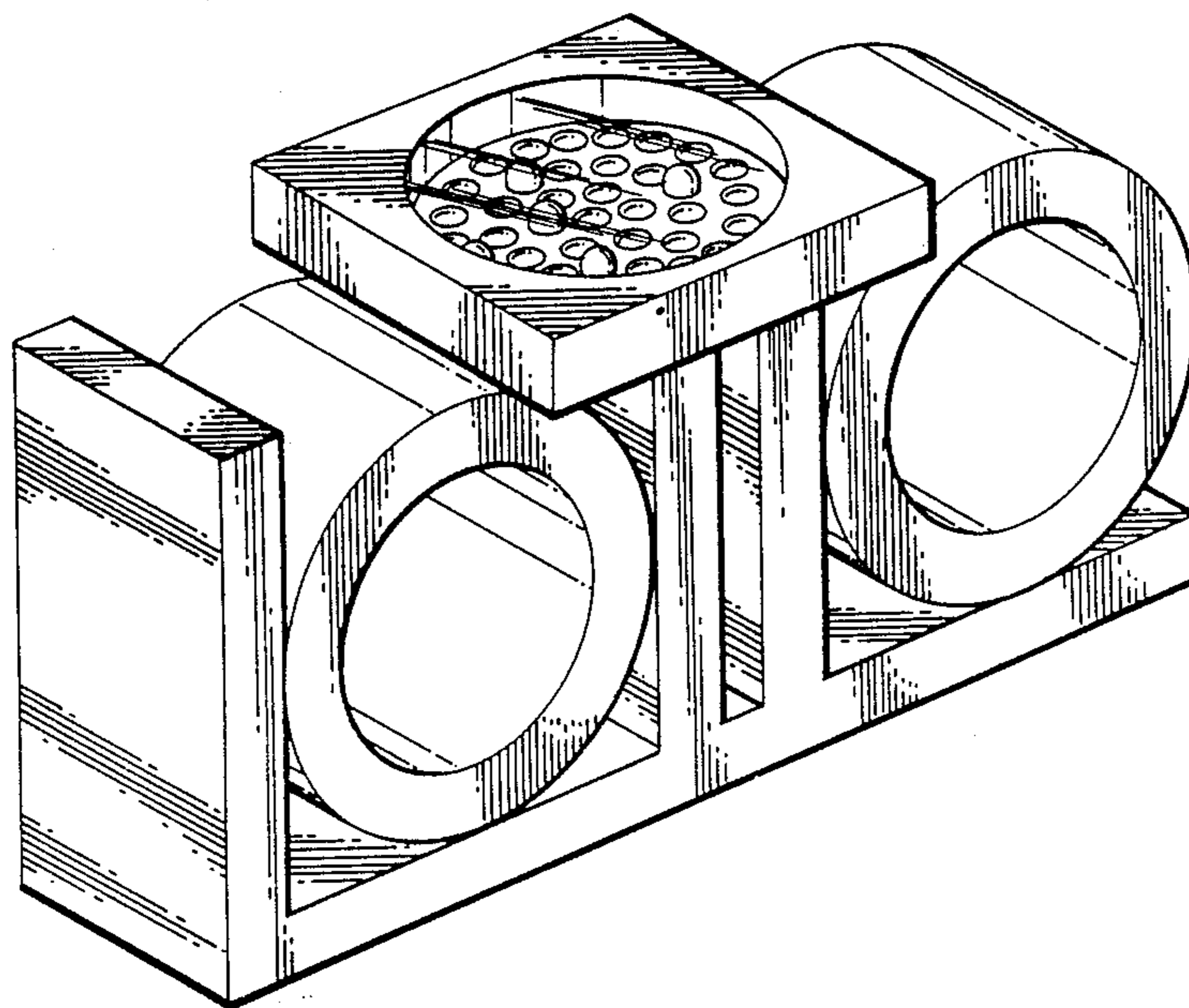


FIG. 1.

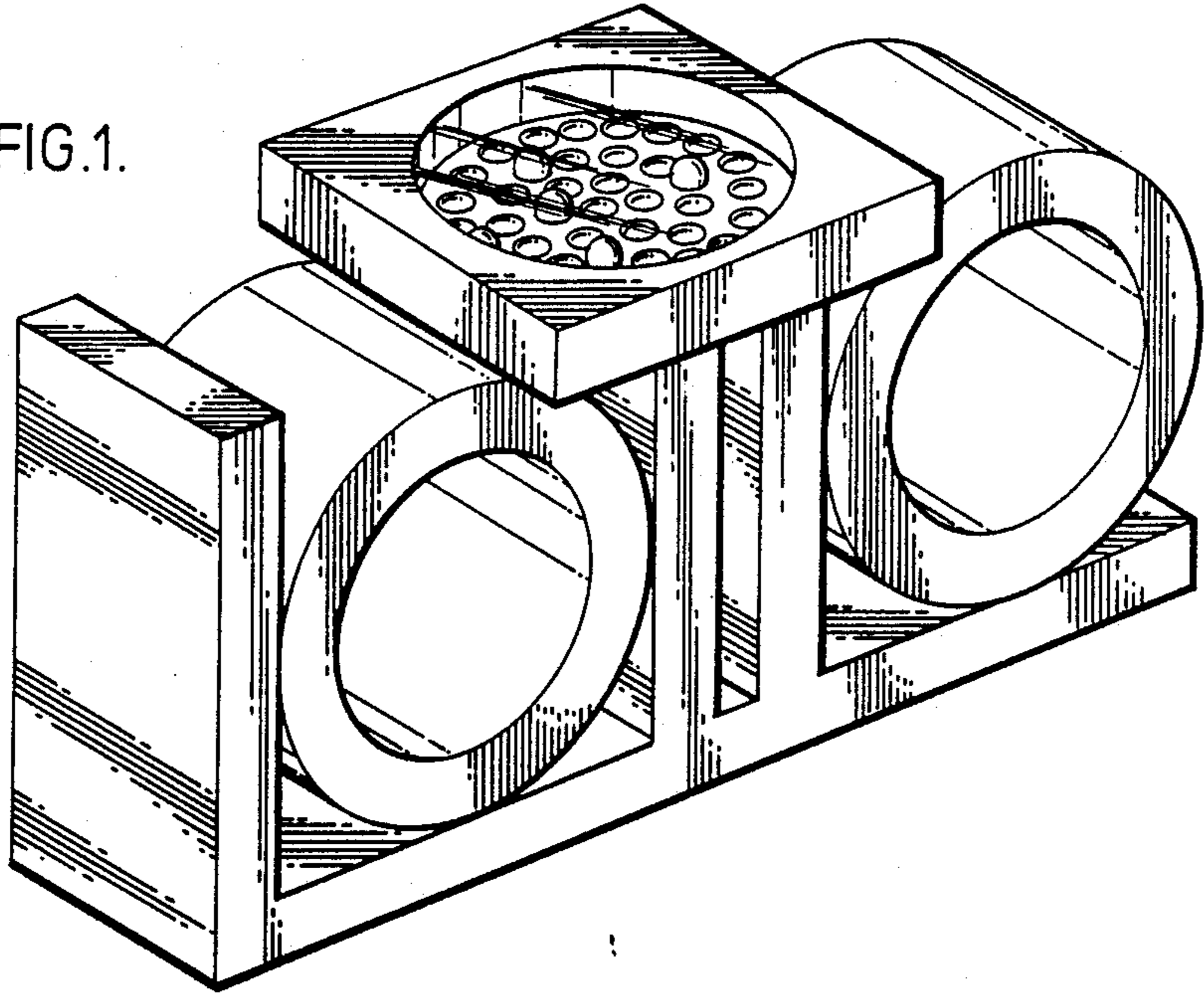


FIG. 2.

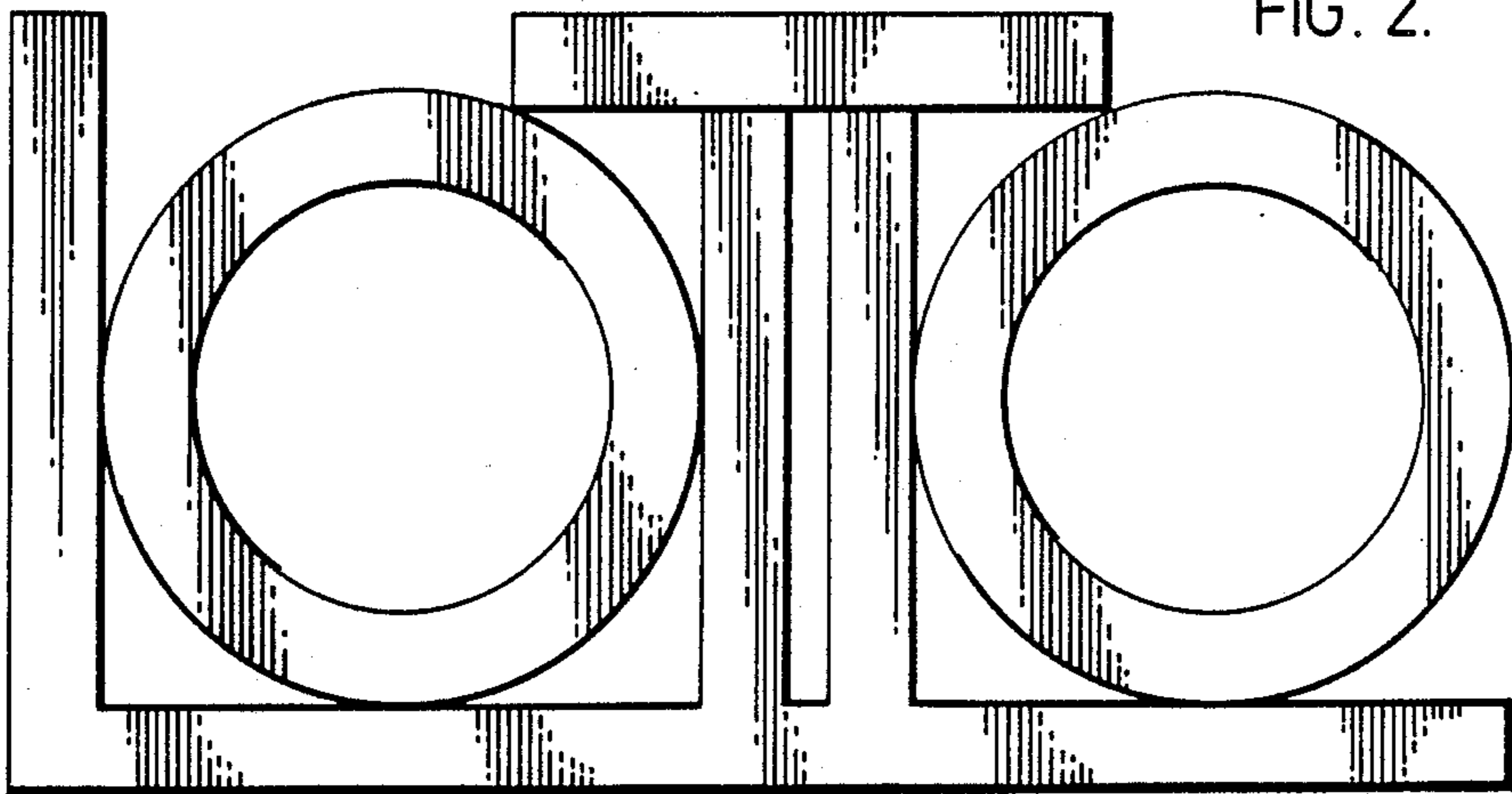


FIG. 3.

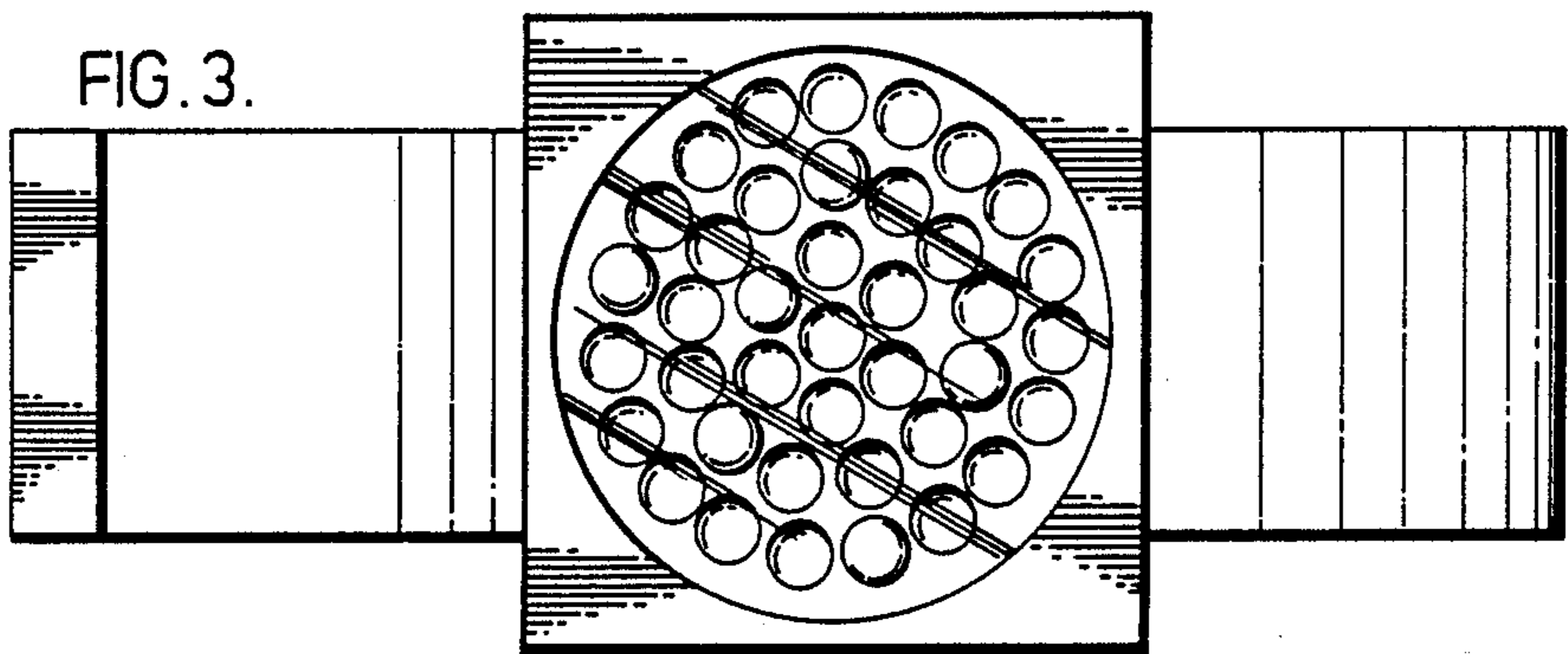


FIG. 4.

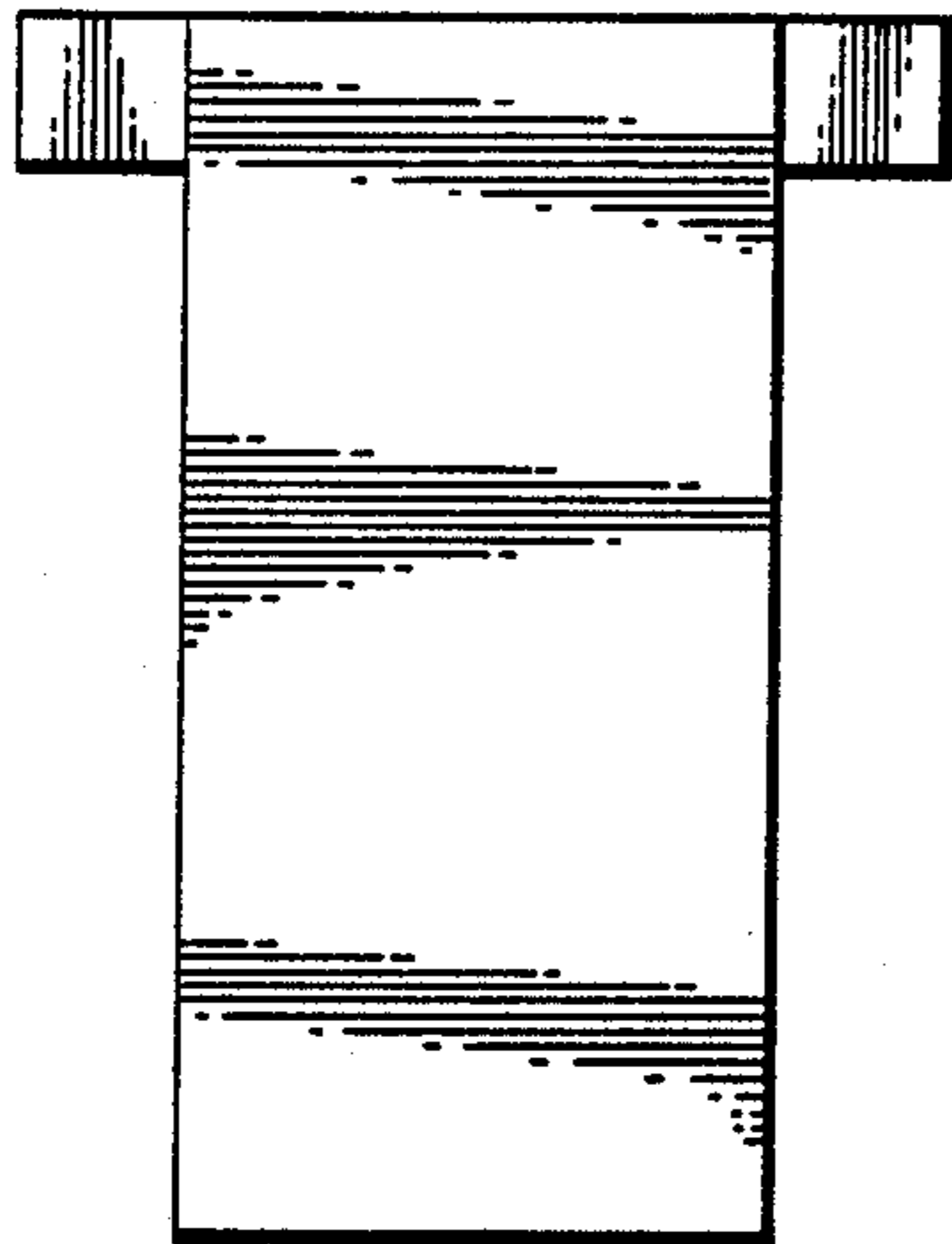


FIG. 5.

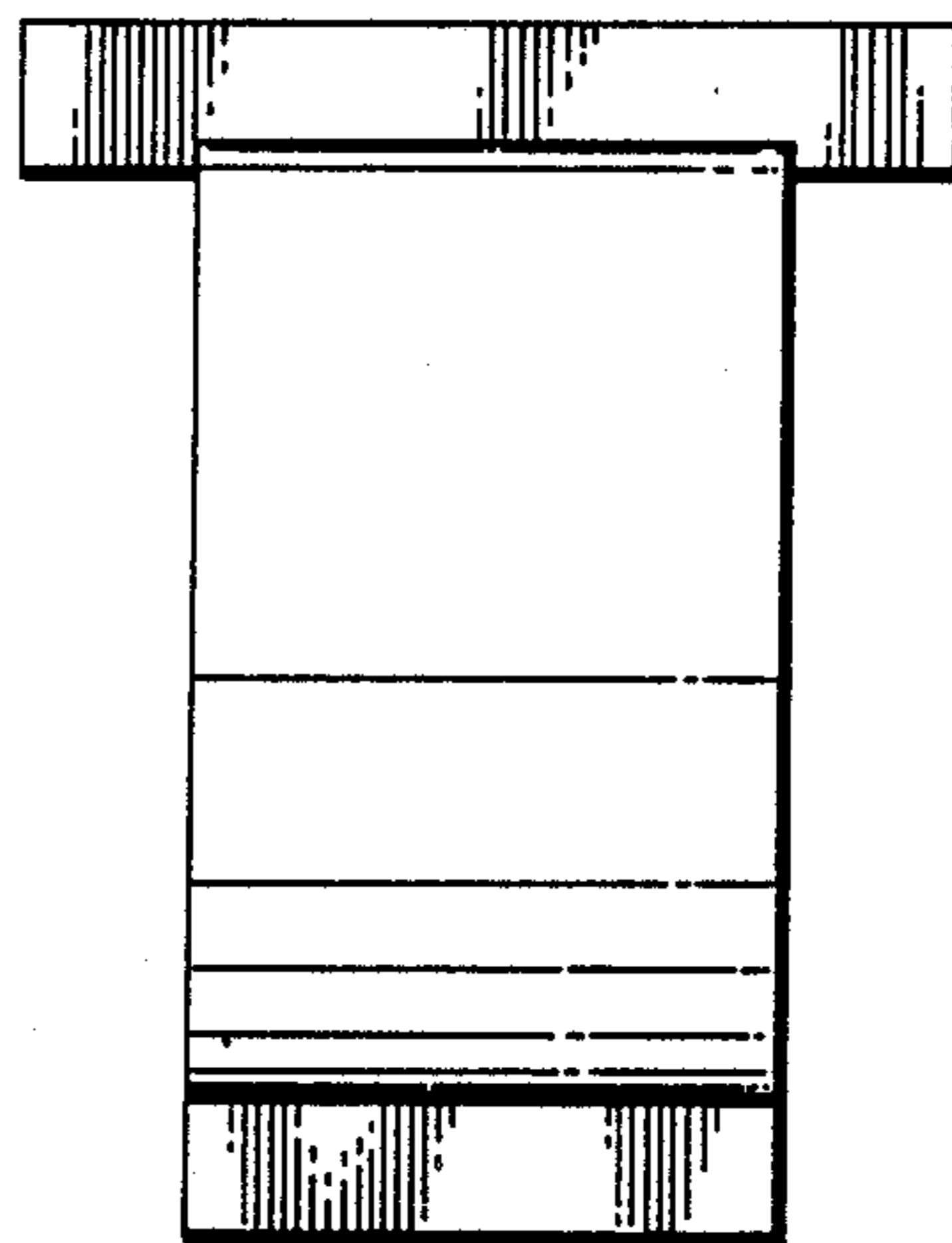


FIG. 6.

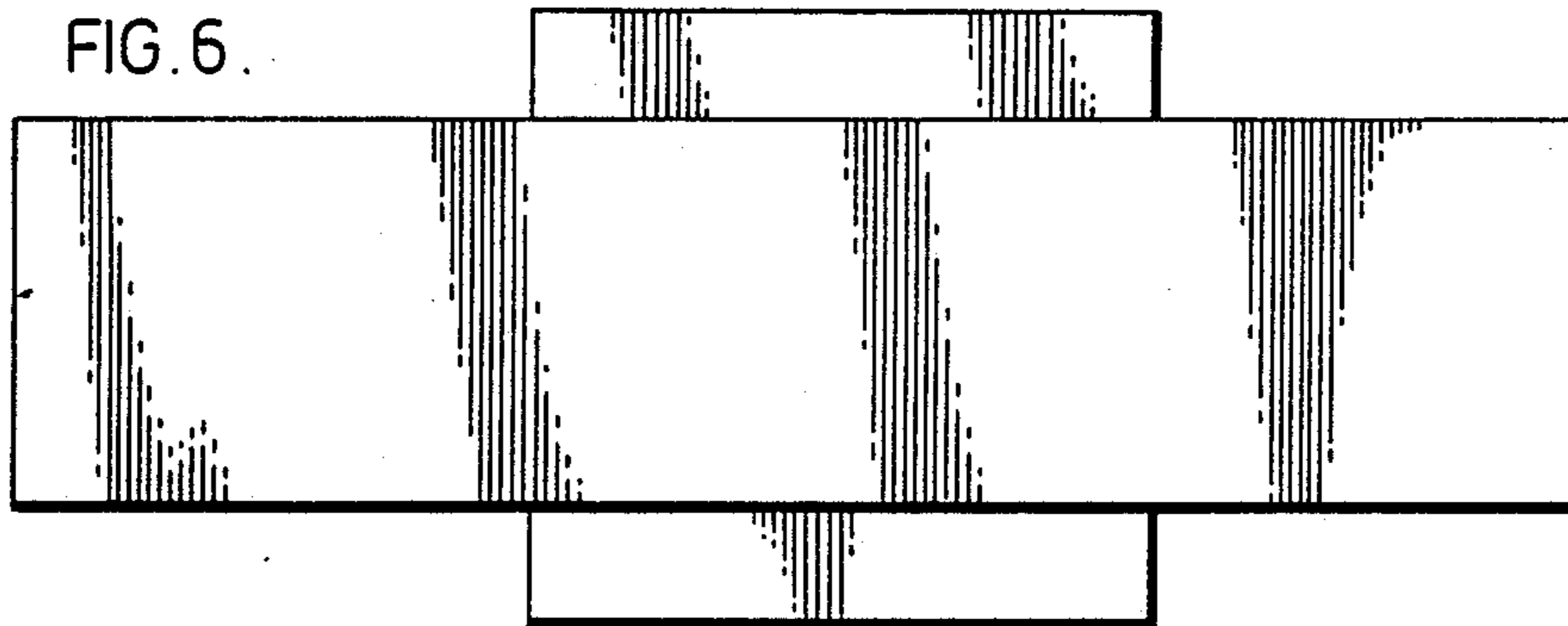


FIG. 7.

