

[54] LIGHT BOX ASSEMBLY FOR AN OVERHEAD PROJECTOR

[75] Inventor: Henry Kyhl, Englewood, N.J.

[73] Assignee: Buhl Industries, Fair Lawn, N.J.

[**] Term: 14 Years

[21] Appl. No.: 36,965

[22] Filed: Apr. 10, 1987

[52] U.S. Cl. D16/235; D16/232

[58] Field of Search D16/221, 225, 229, 232, D16/236, 235; 353/122, DIG. 3, DIG. 4, DIG. 5

3,247,762 4/1966 Peters 353/DIG. 3
3,542,463 11/1970 Klein 353/DIG. 5
4,089,599 5/1978 Kuboshima 353/DIG. 3

FOREIGN PATENT DOCUMENTS

2060193 4/1981 United Kingdom 353/DIG. 5

Primary Examiner—Charles A. Rademaker

Assistant Examiner—Adir Aronovich

Attorney, Agent, or Firm—Darby & Darby

[57] CLAIM

The ornamental design for light box assembly for an overhead projector, as shown.

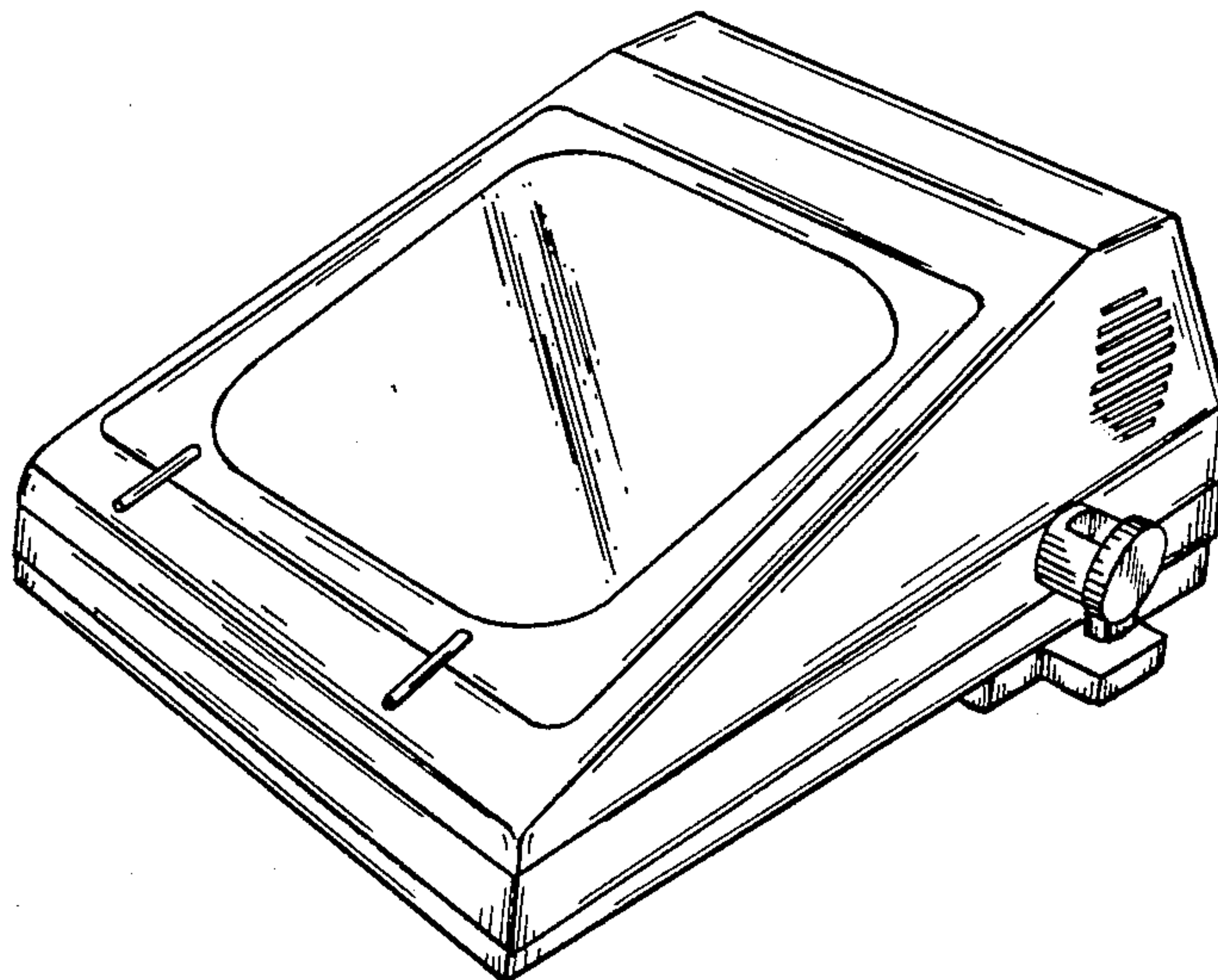
DESCRIPTION

FIG. 1 is a perspective view of a light box assembly for an overhead projector showing my new design; FIG. 2 is a front elevational view thereof; FIG. 3 is a rear elevational view thereof; FIG. 4 is a right side elevational view thereof; FIG. 5 is a left side elevational view thereof; FIG. 6 is a top plan view thereof; and FIG. 7 is a bottom plan view thereof.

[56] References Cited

U.S. PATENT DOCUMENTS

D. 150,317 7/1948 Roysler D16/232
D. 217,103 4/1970 Field et al. D16/232
D. 219,405 12/1970 Nemesnyik D16/232
D. 244,602 6/1977 Mango et al. D16/232
D. 245,165 12/1977 Drake D16/23



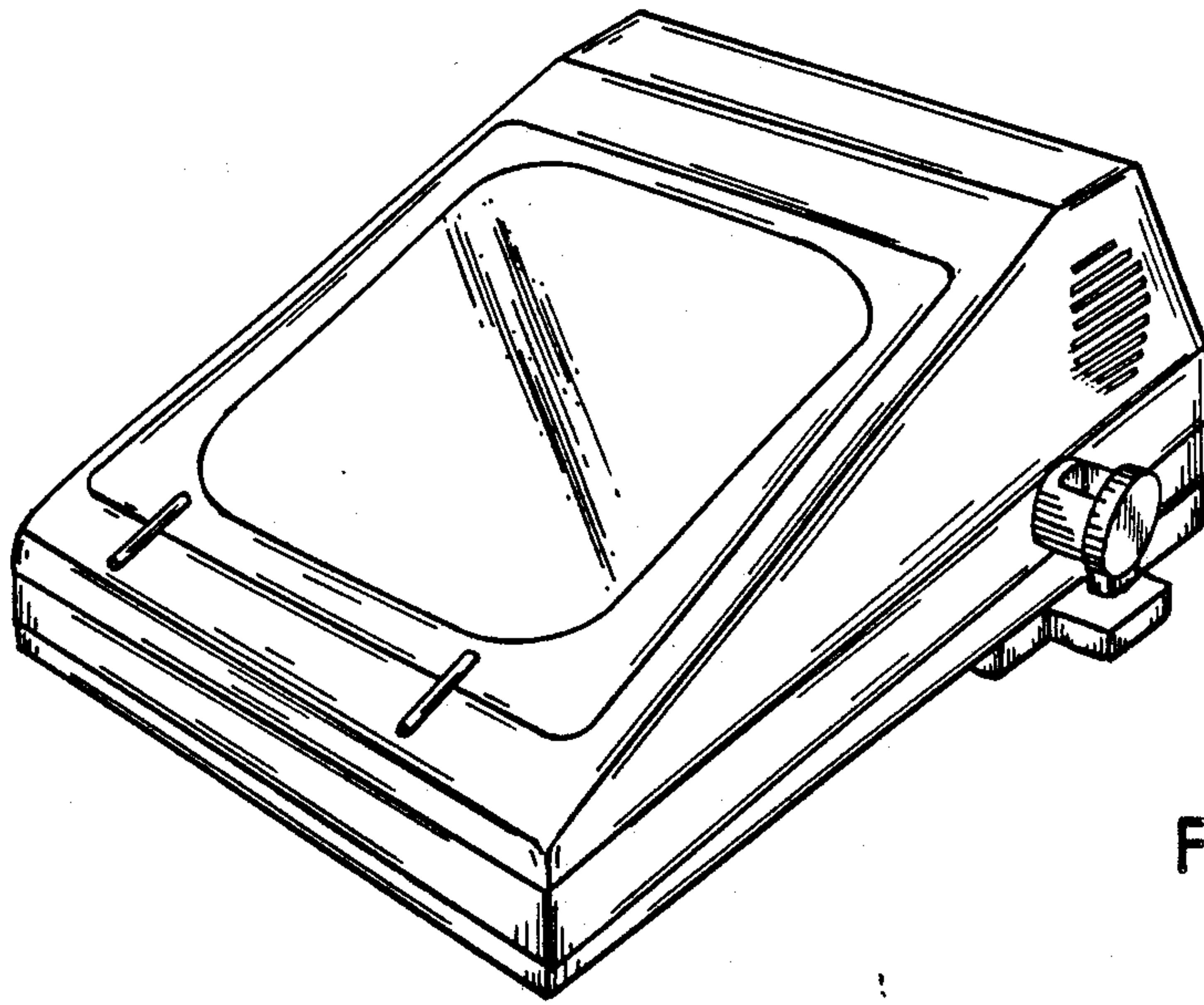


FIG. 1

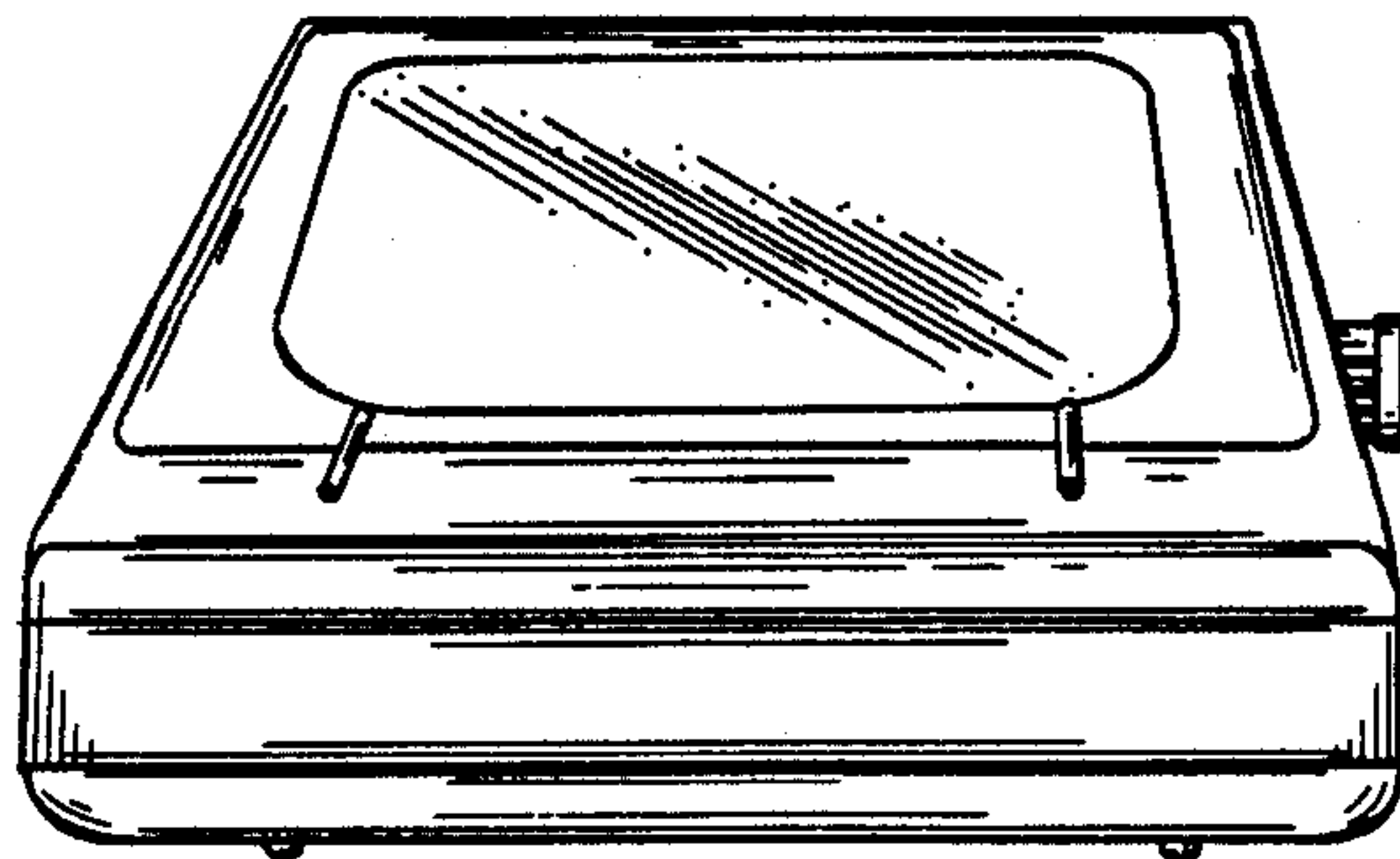


FIG. 2

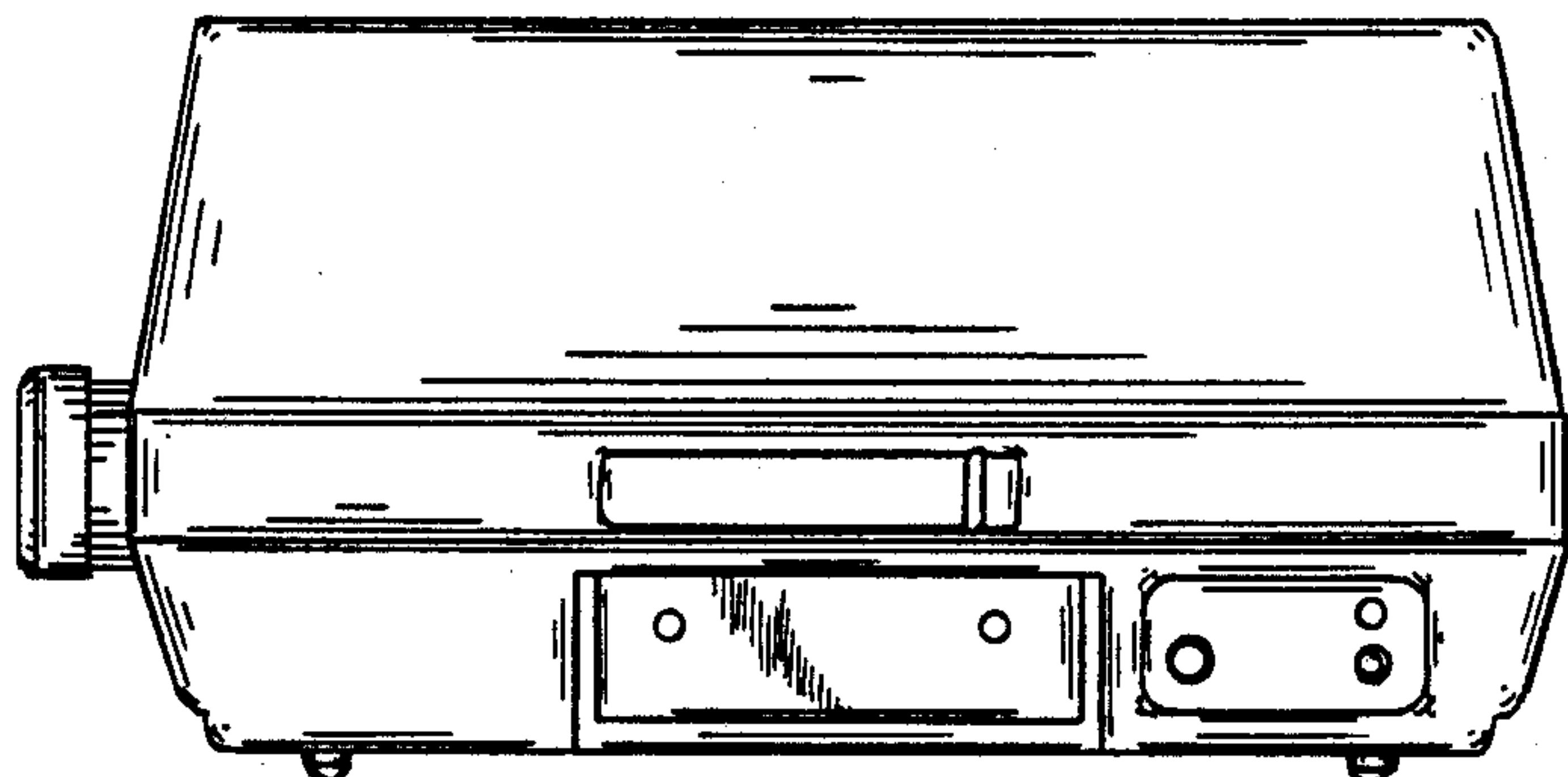


FIG.3

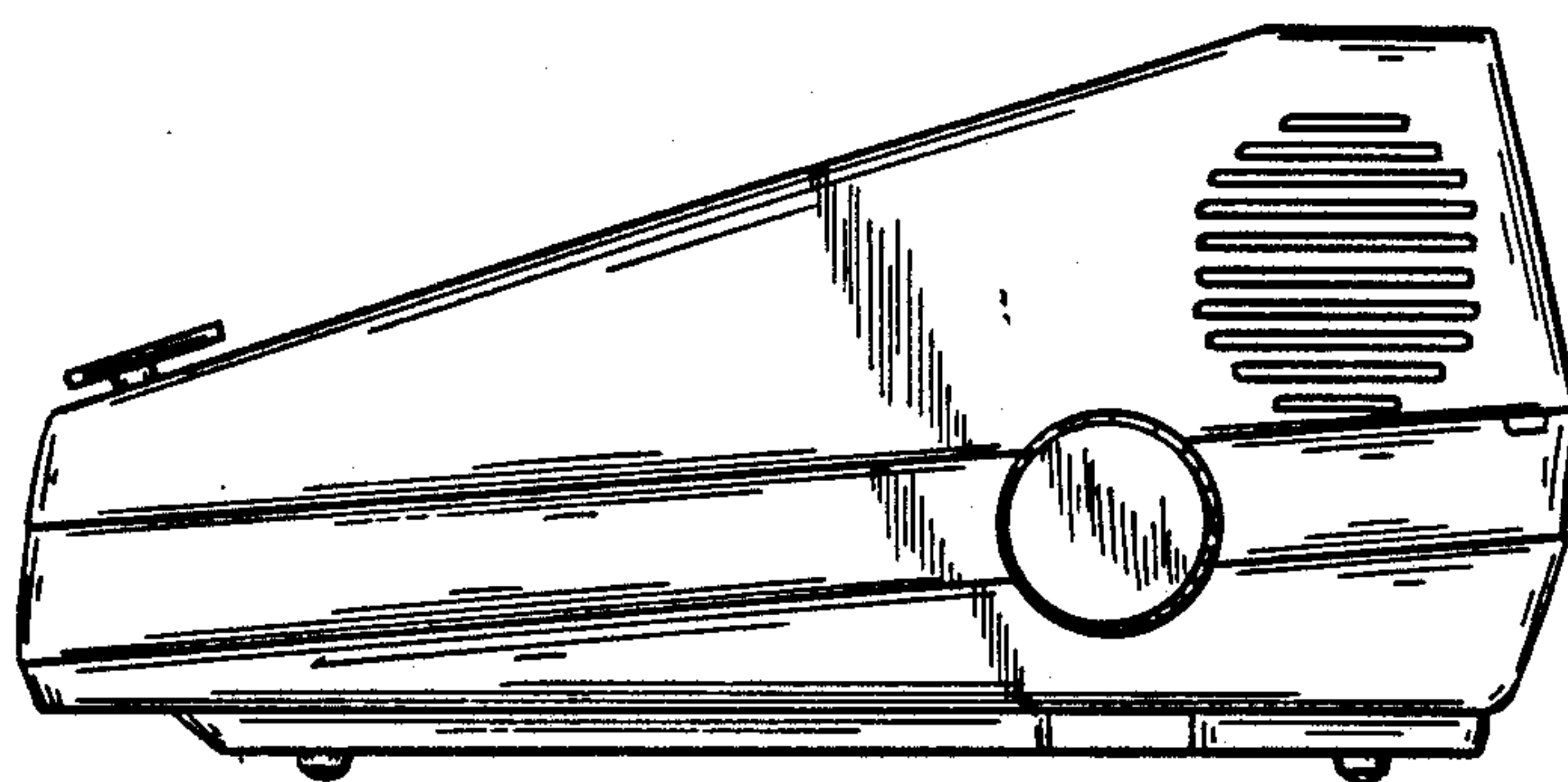


FIG.4

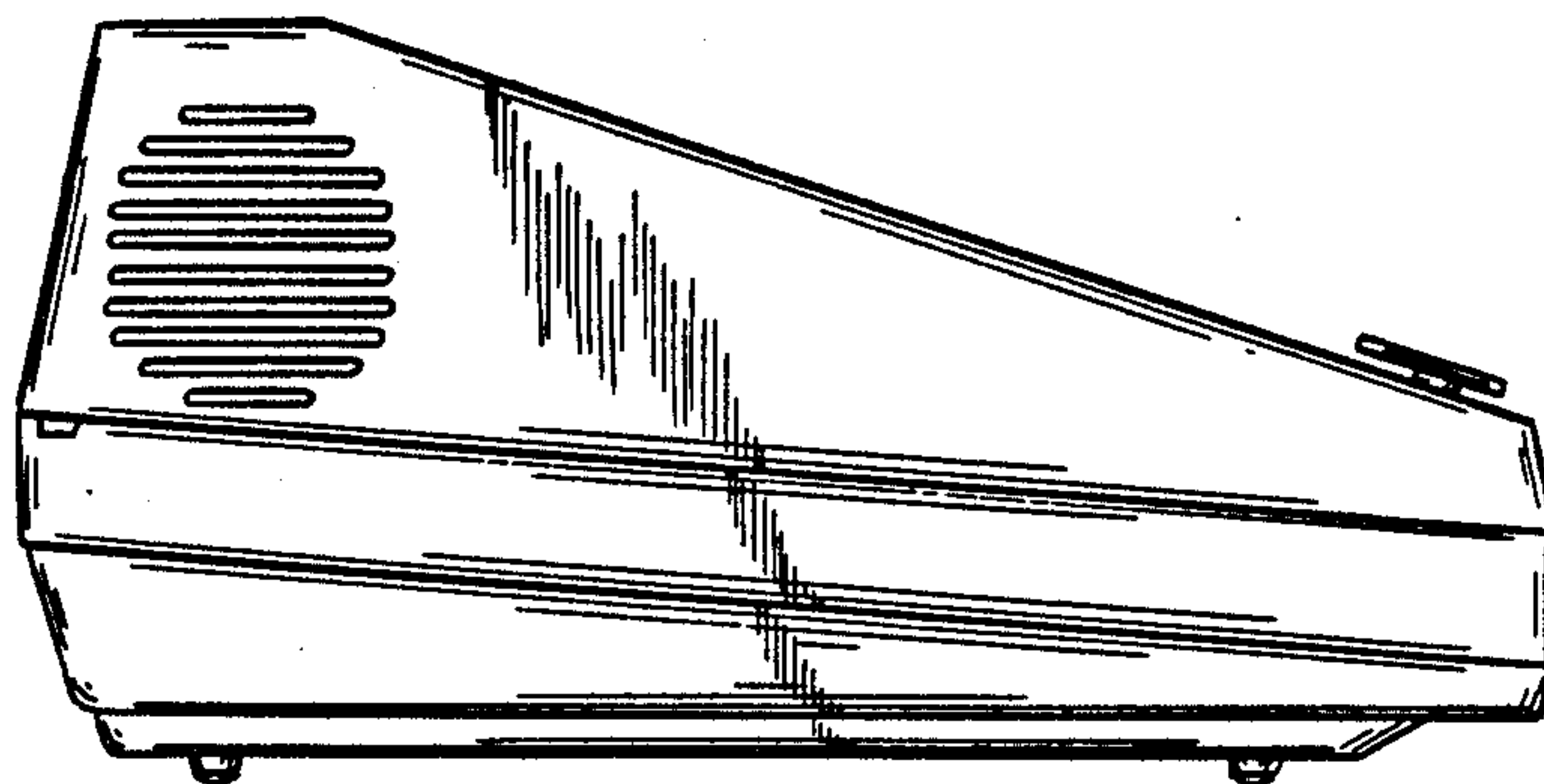


FIG.5

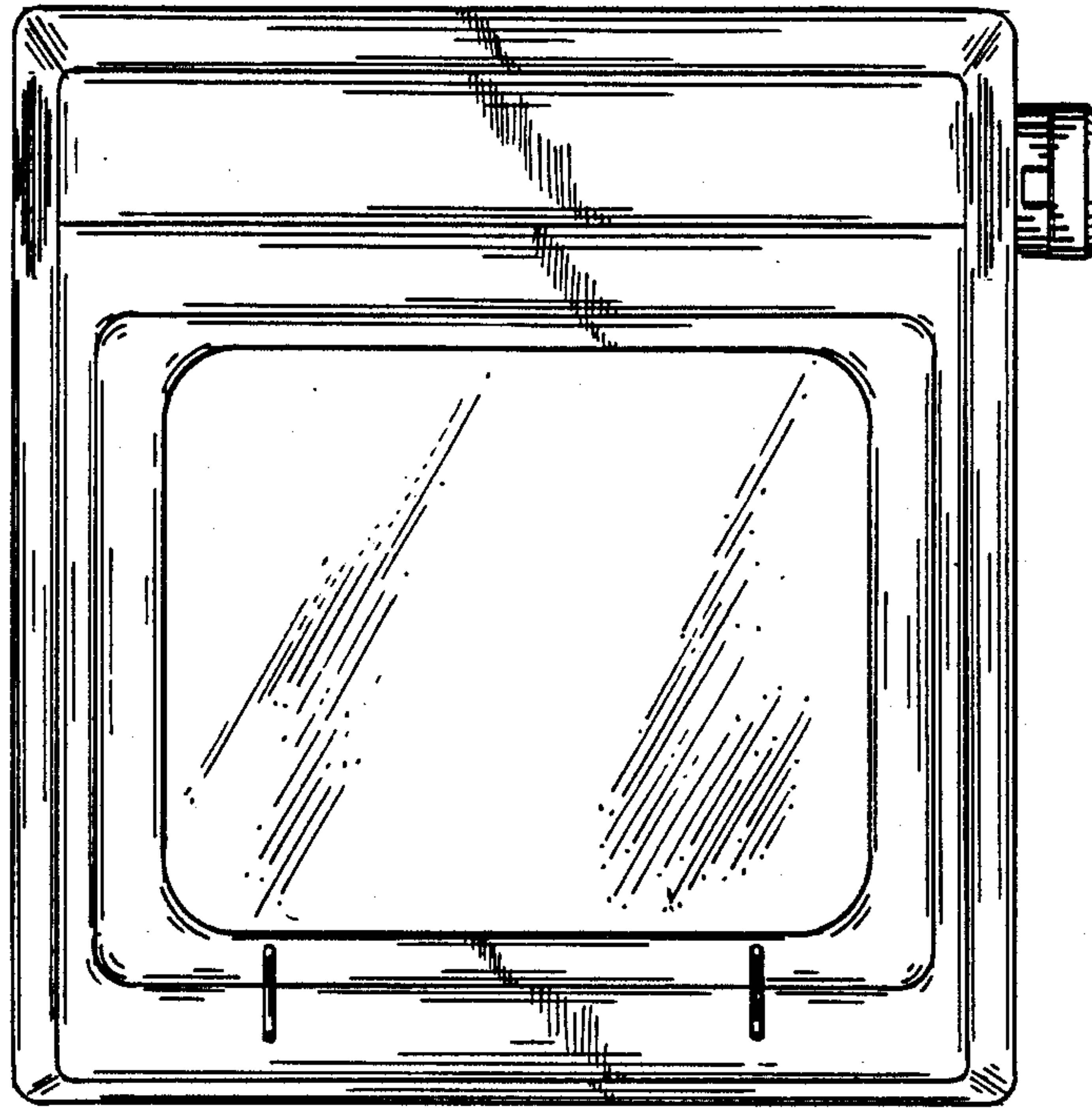


FIG. 6

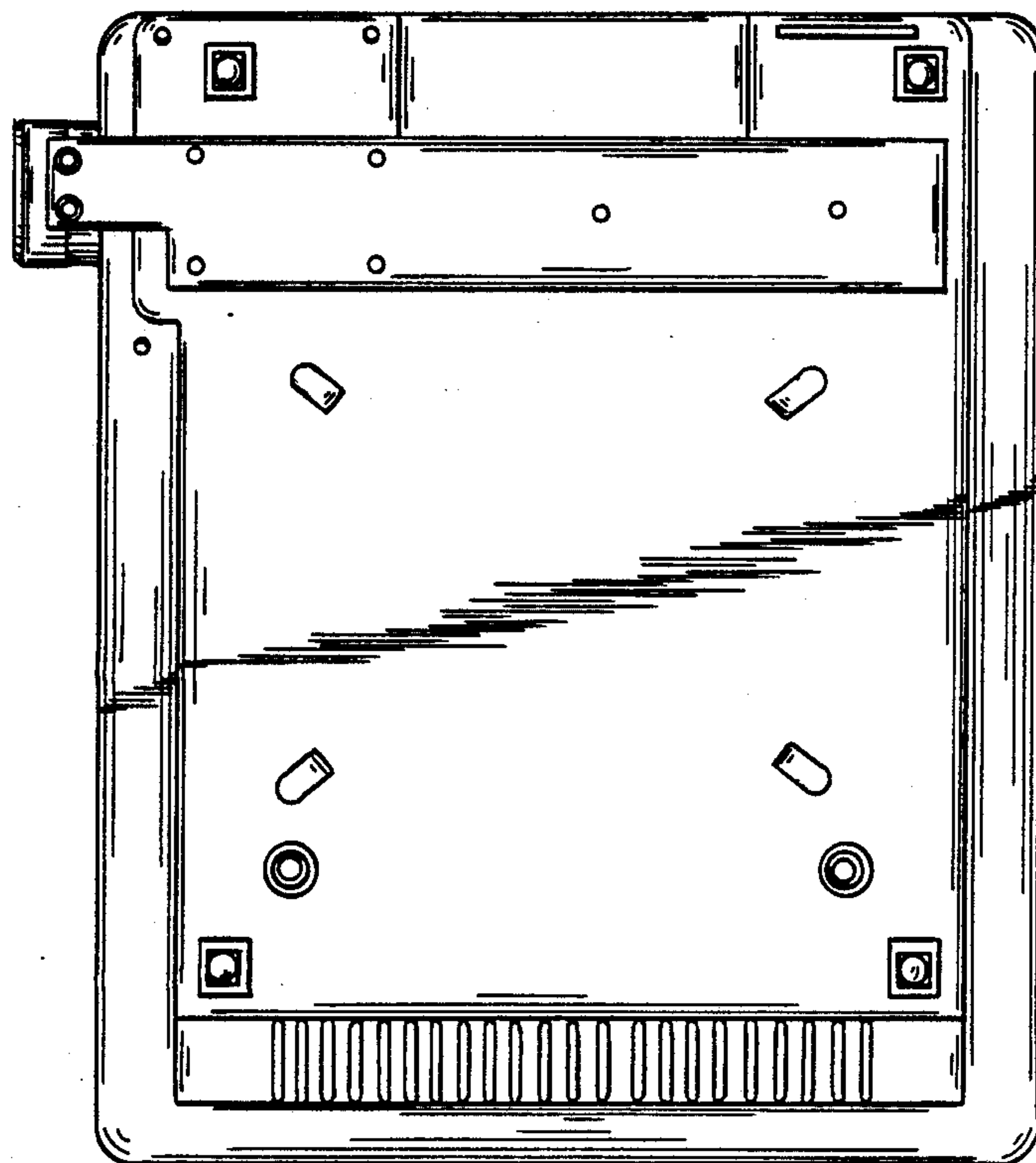


FIG. 7