

[54] REFLECTOR FOR INFRARED RADIATION UNIT

[75] Inventor: Karl A. Hamrin, Kungsör, Sweden

[73] Assignee: Infrarodteknik AB, Vanersborg, Sweden

[**] Term: 14 Years

[21] Appl. No.: 910,618

[22] Filed: Sep. 23, 1986

[30] Foreign Application Priority Data

Mar. 25, 1986 [NO] Norway 67152

[52] U.S. Cl. D15/144.1

[58] Field of Search D25/21, 56, 113, 119, D25/120, 125; D15/144.1; D20/44; 34/39, 93, 107; 219/354, 553; 52/314

[56] References Cited

U.S. PATENT DOCUMENTS

D. 249,561	9/1978	Ban	D25/21
D. 278,140	3/1985	Tatum	D25/119
2,970,218	1/1961	Shaw	D25/113
3,051,820	8/1962	Krichton	219/353
4,513,516	4/1985	Bjornberg	.	
4,594,795	6/1986	Stephansen	.	
4,695,705	9/1987	Kulig	219/354

OTHER PUBLICATIONS

Dahlstrom Metal Mouldings and Shapes Catalog, #11, Dahlstrom Mfg. Corp. Jamestown, N.Y., May 1967, Section 7, p. 143, #X7397.

Primary Examiner—B. J. Bullock
Assistant Examiner—Dominic Simone
Attorney, Agent, or Firm—Davis, Bujold & Streck

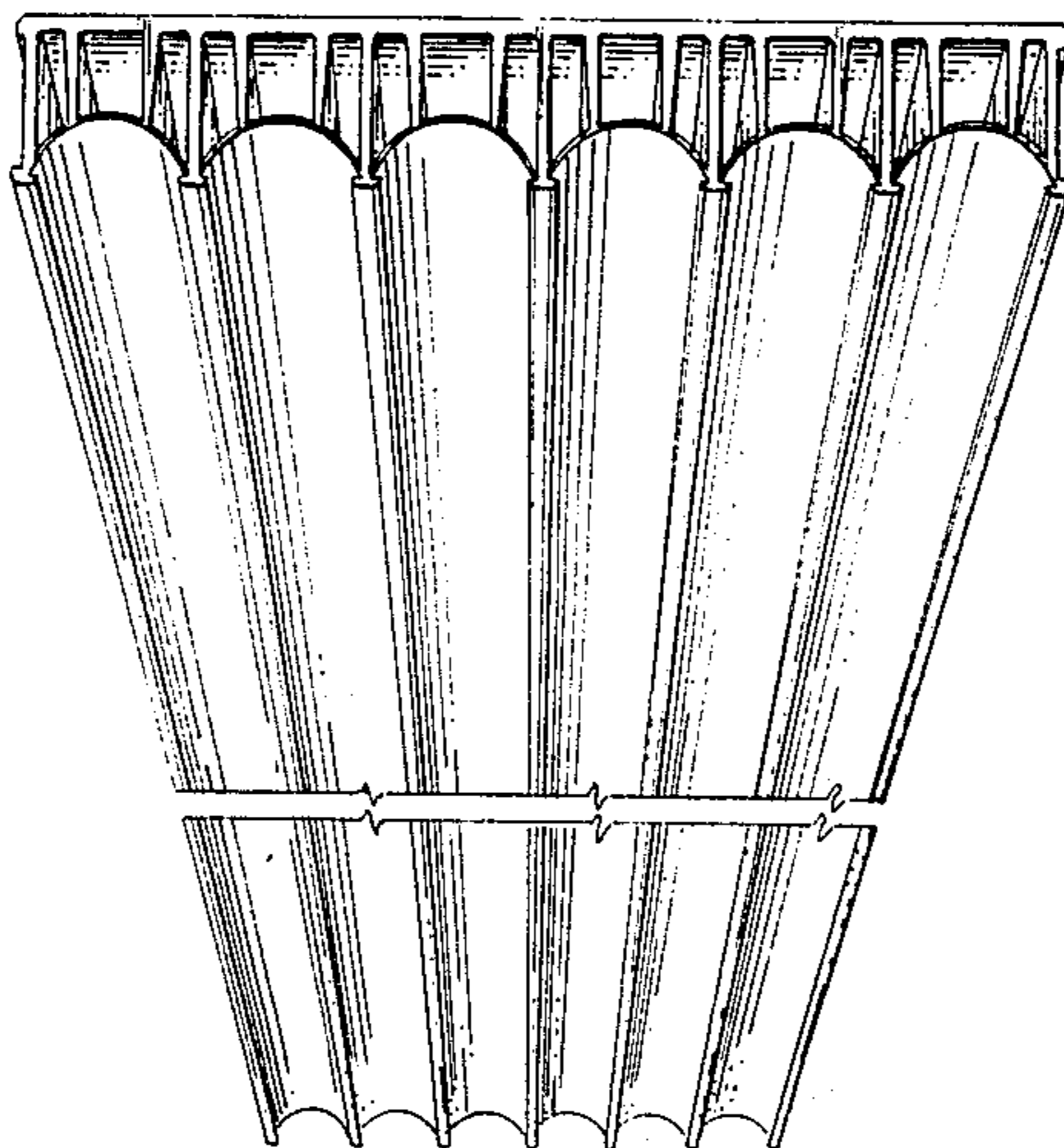
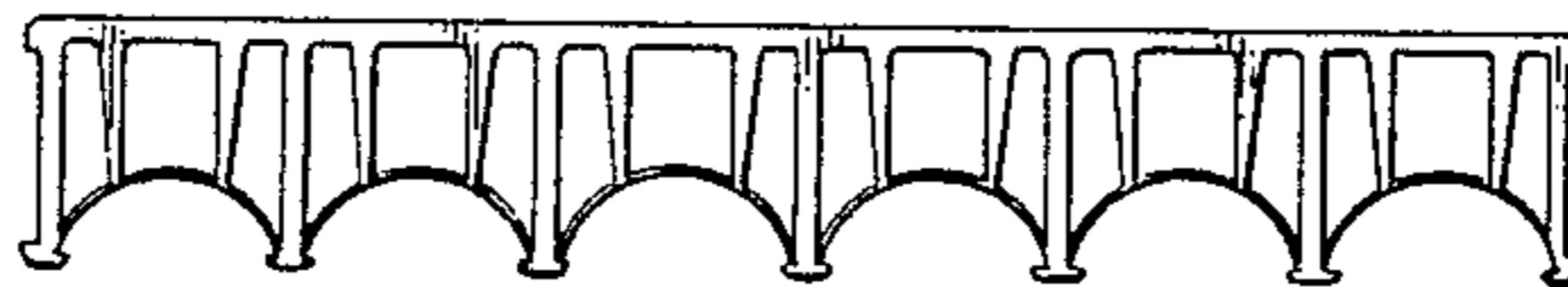
[57] CLAIM

The ornamental design for a reflector for an infrared radiation unit, as shown and described.

DESCRIPTION

FIG. 1 is an end view of a reflector for infrared radiation unit showing my new design;
 FIG. 2 is a perspective view thereof;
 FIG. 3 is a top plan view thereof;
 FIG. 4 is a side elevational view thereof, the opposite side being identical;
 FIG. 5 is a bottom plan view thereof;
 FIG. 6 is an end view of a second embodiment of FIG. 1;
 FIG. 7 is a perspective view of FIG. 6;
 FIG. 8 is an end view of a third embodiment of FIG. 1;
 FIG. 9 is a perspective view of FIG. 8;
 FIG. 10 is an end view of a fourth embodiment of FIG. 1;
 FIG. 11 is a perspective view of FIG. 10;
 FIG. 12 is a side elevational view of FIG. 10, the opposite side being identical;
 FIG. 13 is a bottom plan view of FIG. 10;
 FIG. 14 is a top plan view of FIG. 10;
 FIG. 15 is a top plan view of FIG. 6;
 FIG. 16 is a bottom plan view of FIG. 6.

The sections are shown broken away to illustrate indeterminate length;
 The article is of infinite length.



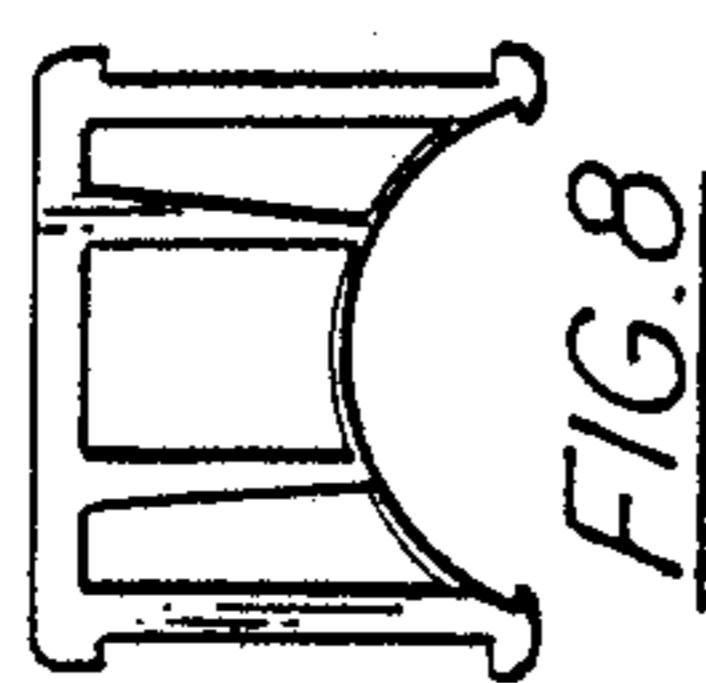


FIG. 8

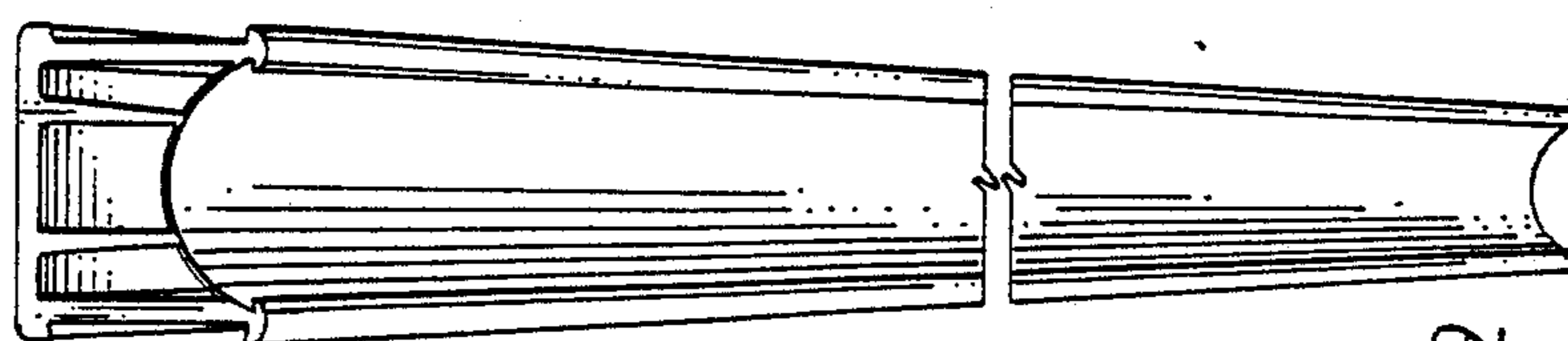


FIG. 9

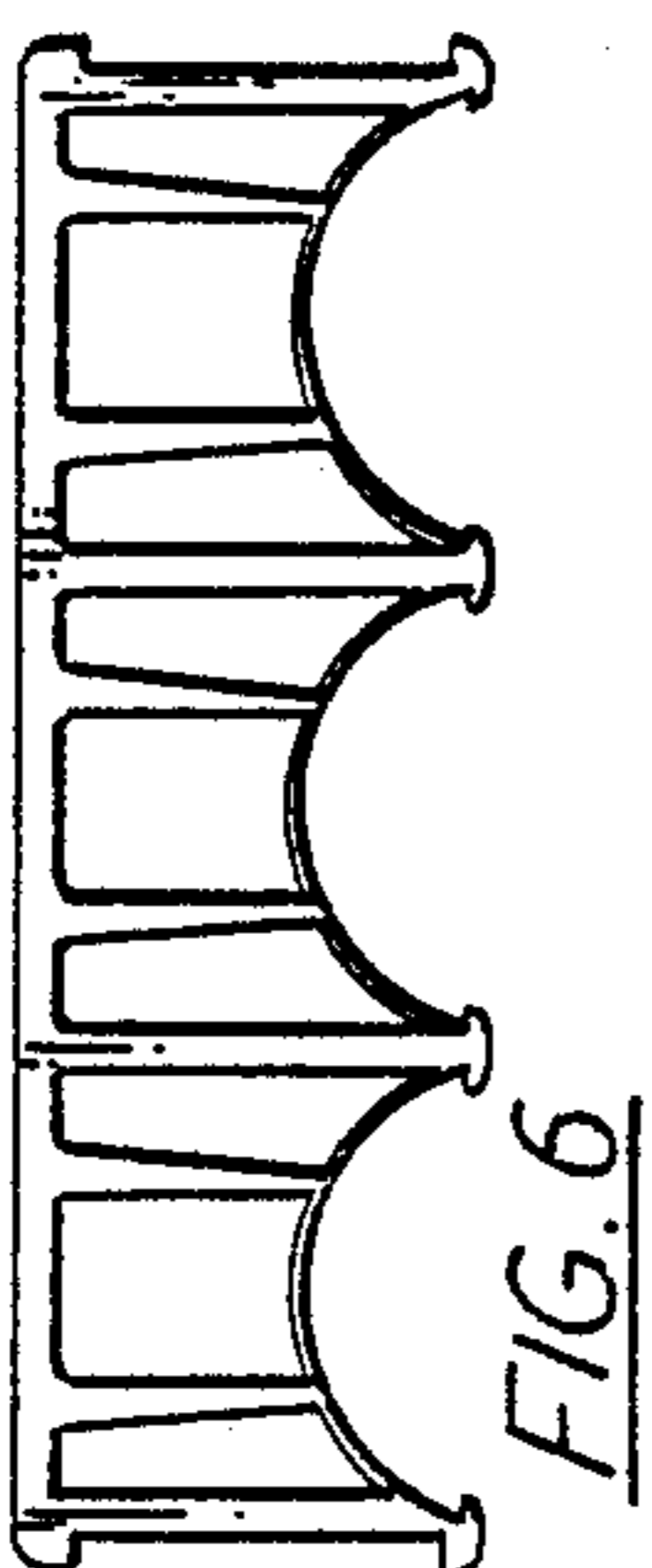


FIG. 6

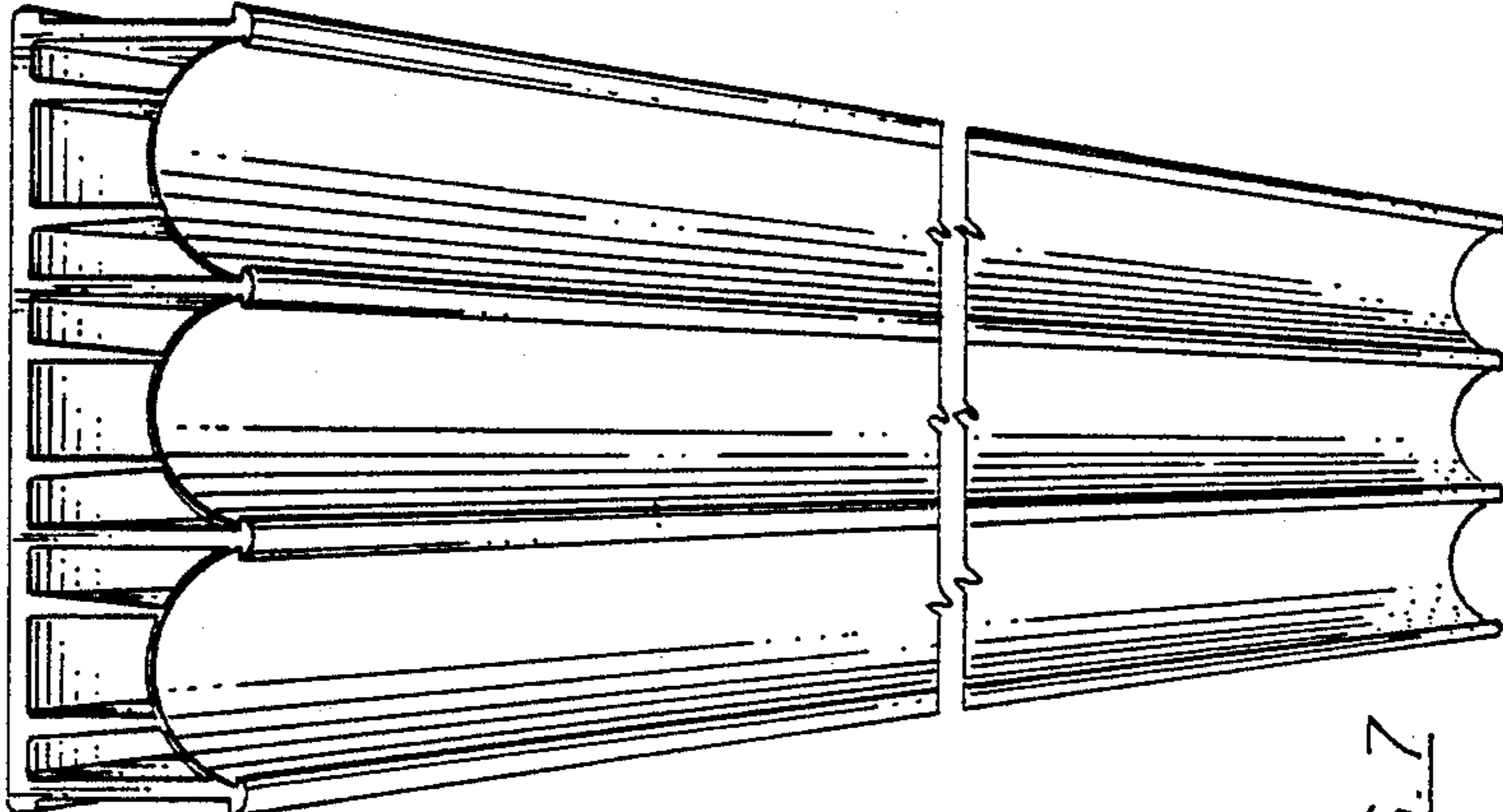


FIG. 7

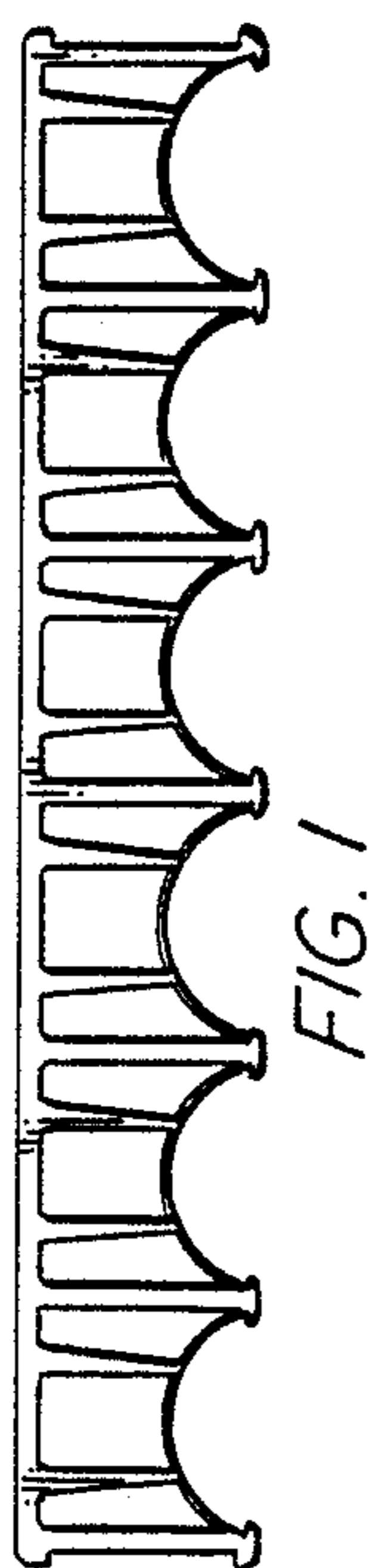


FIG. 1

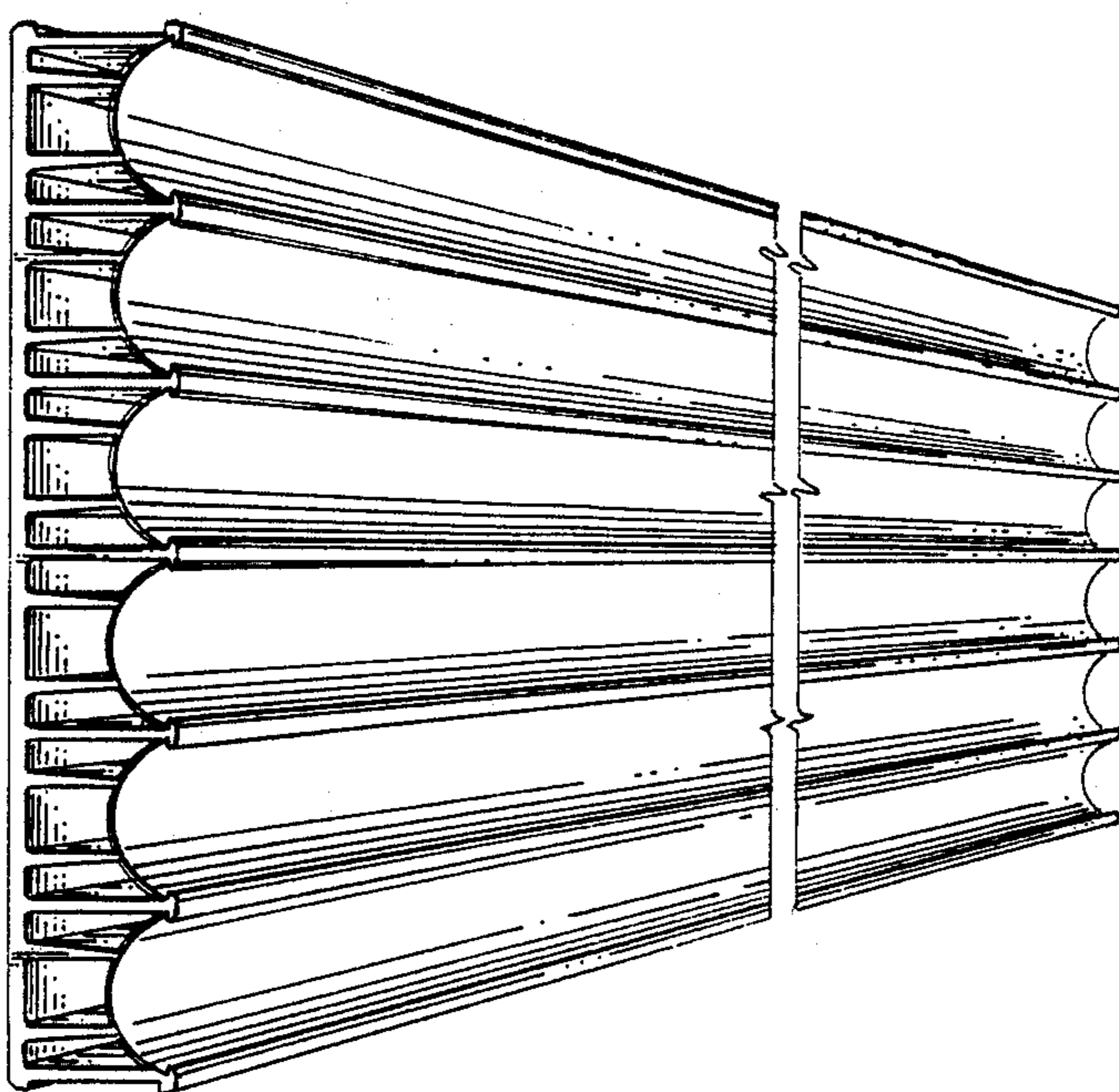


FIG. 2

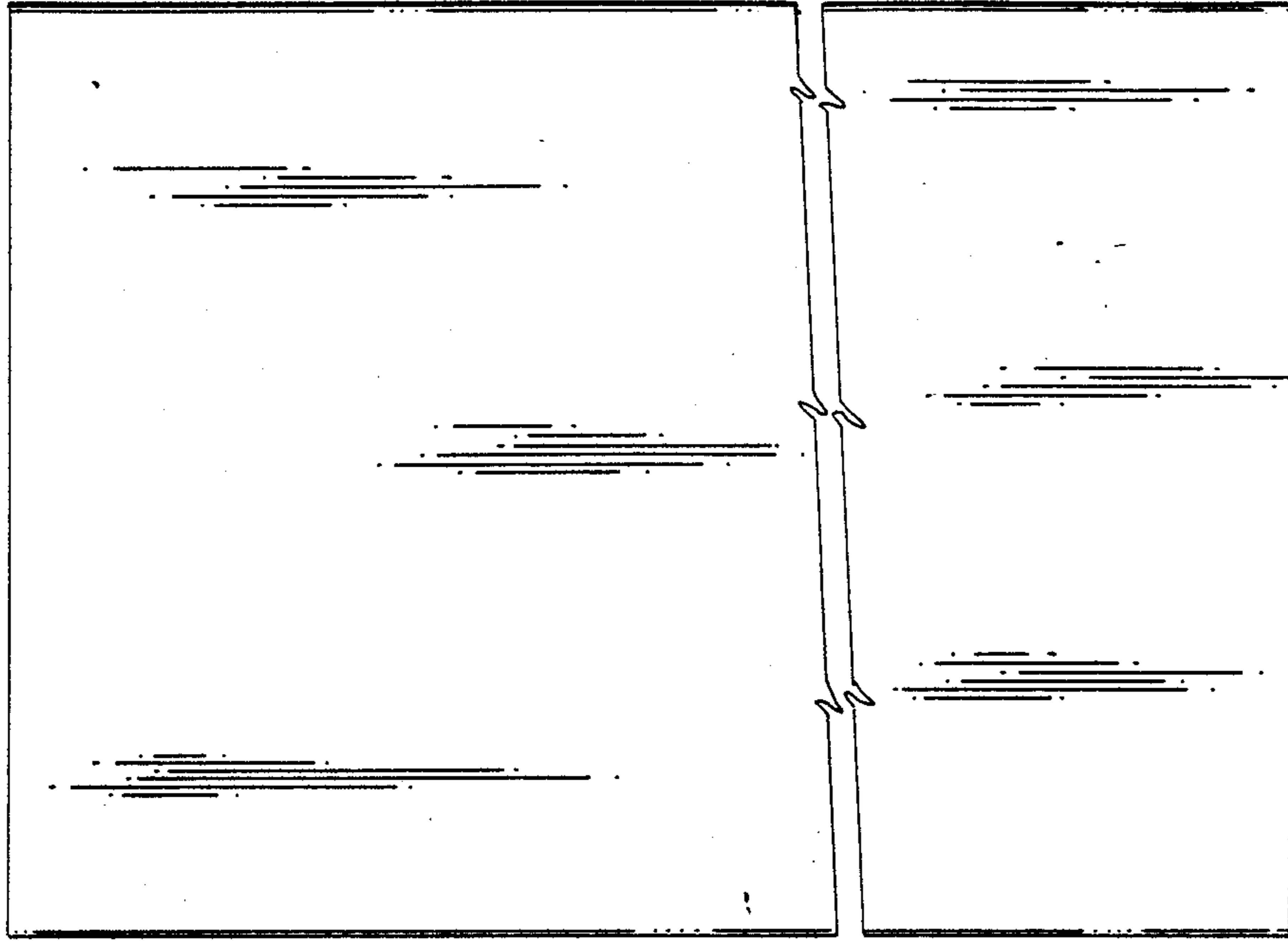


FIG. 5

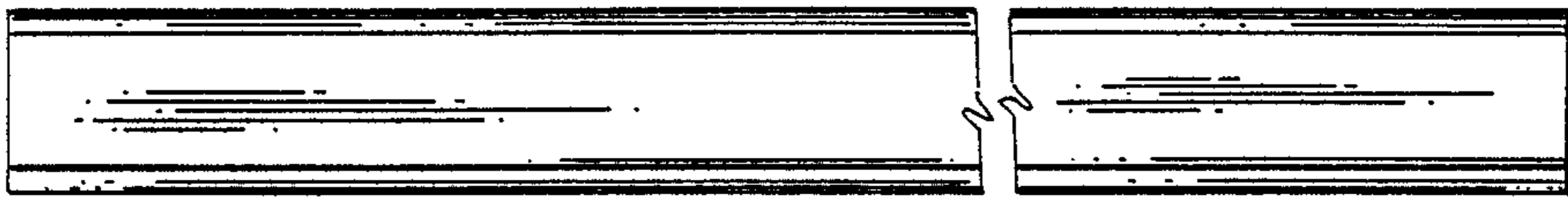


FIG. 4

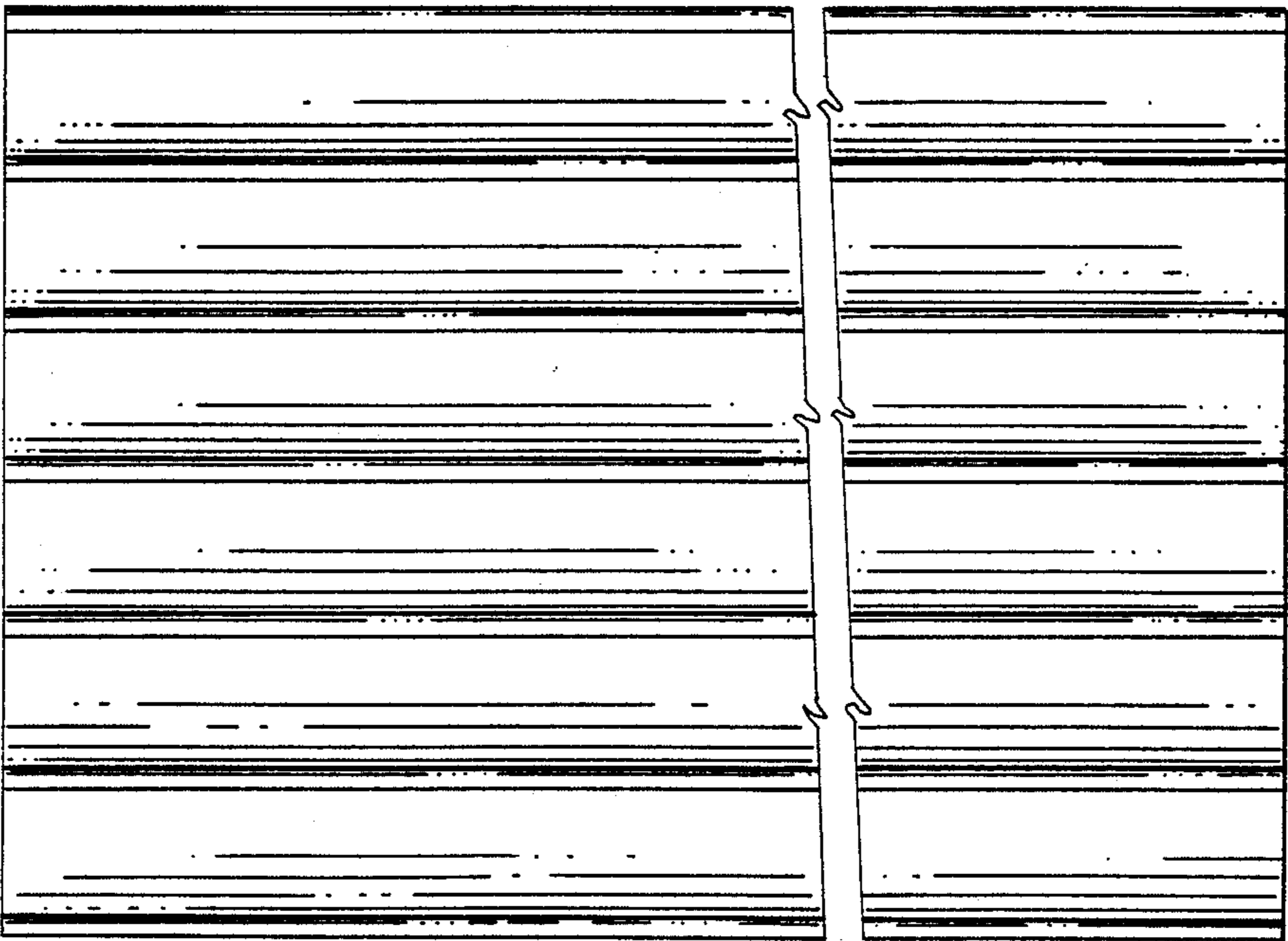


FIG. 3

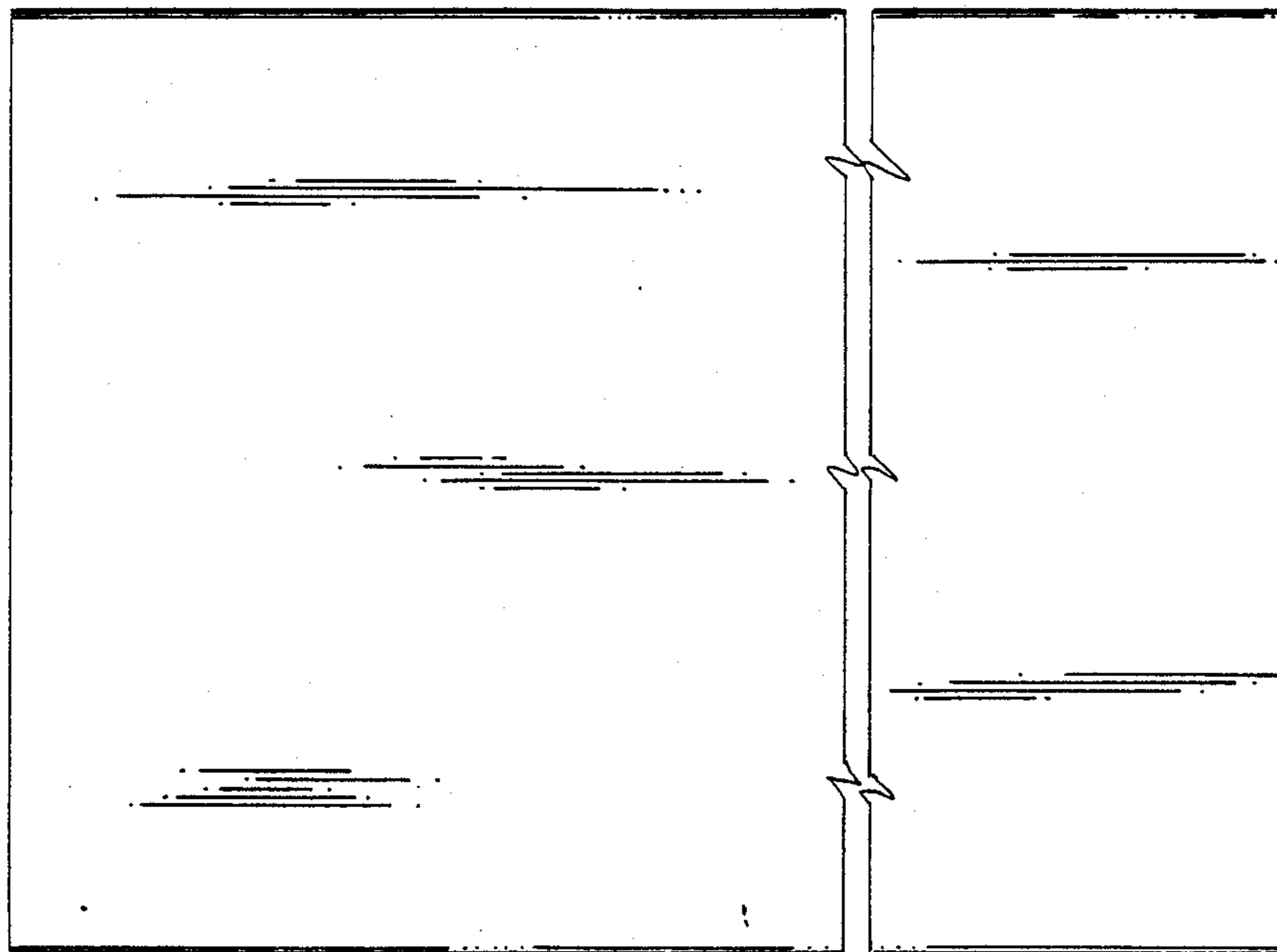


FIG. 13

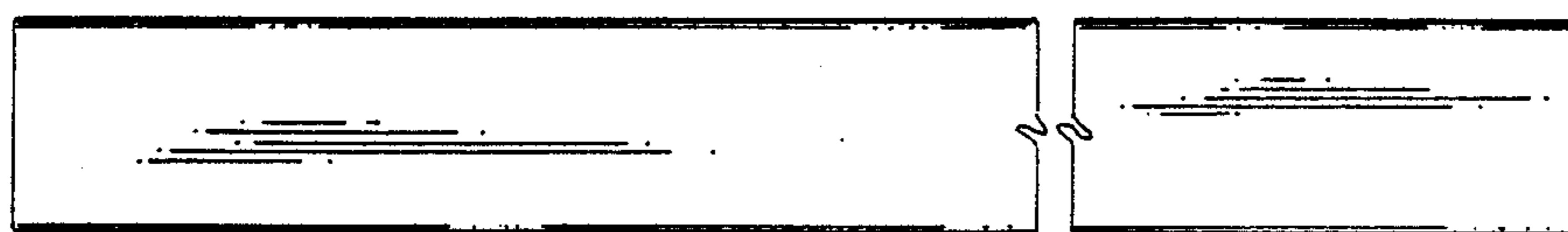


FIG. 12

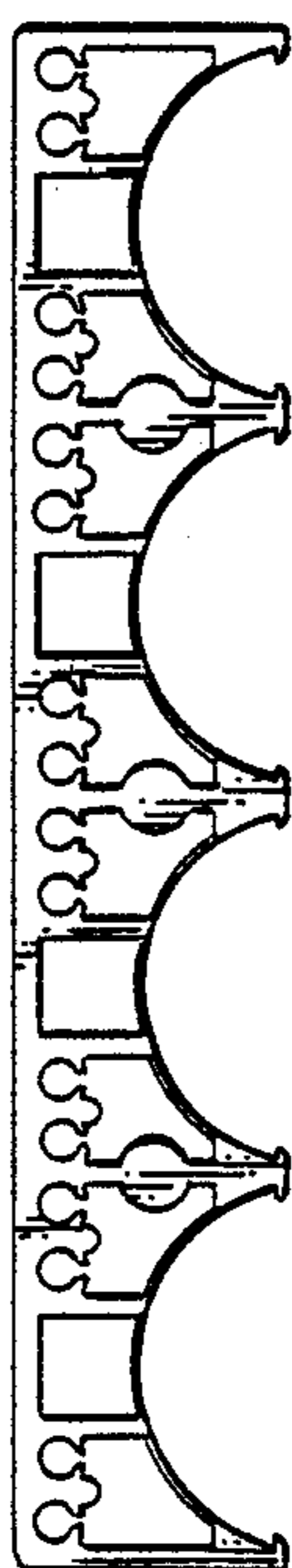


FIG. 10

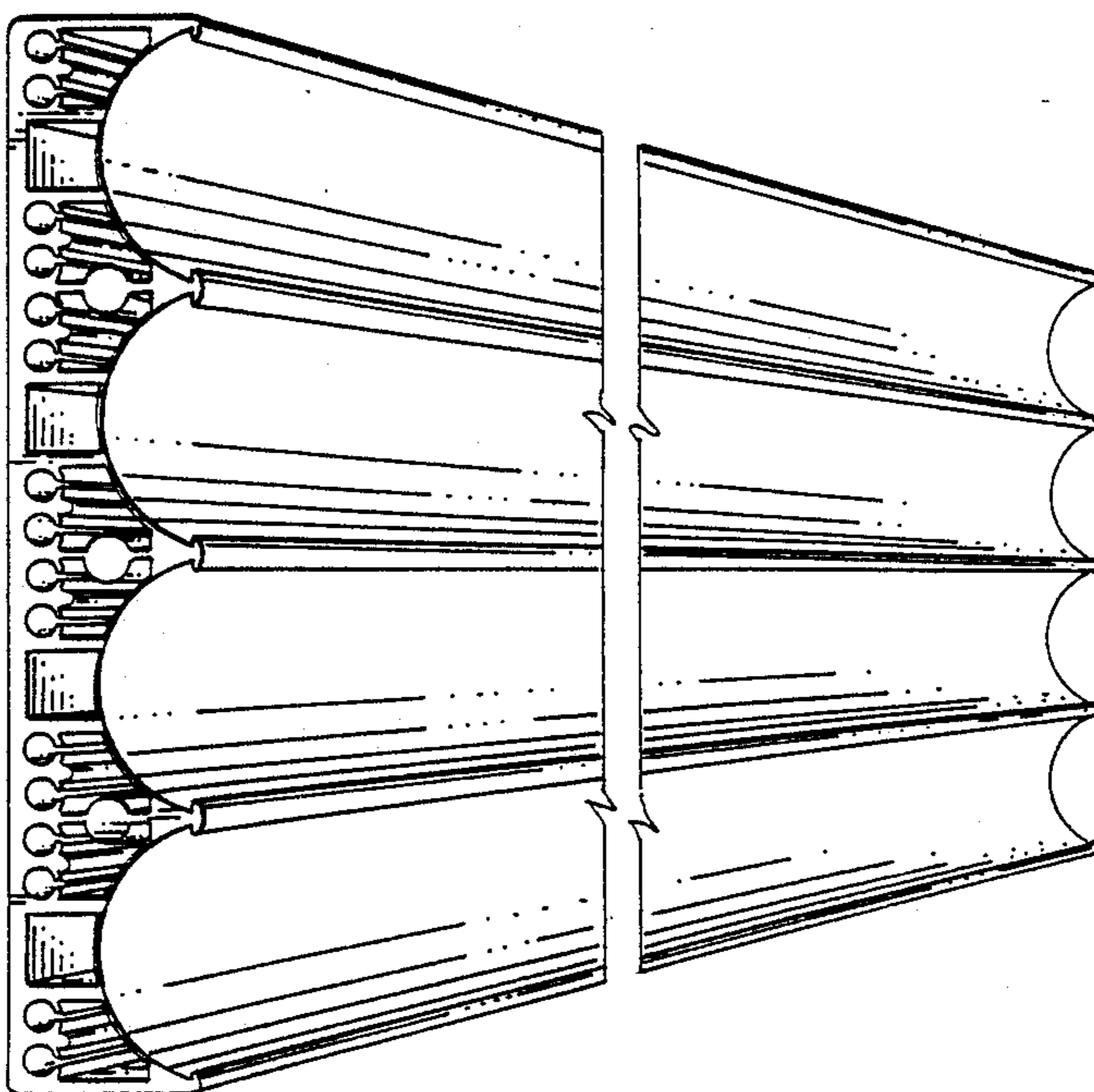


FIG. 11

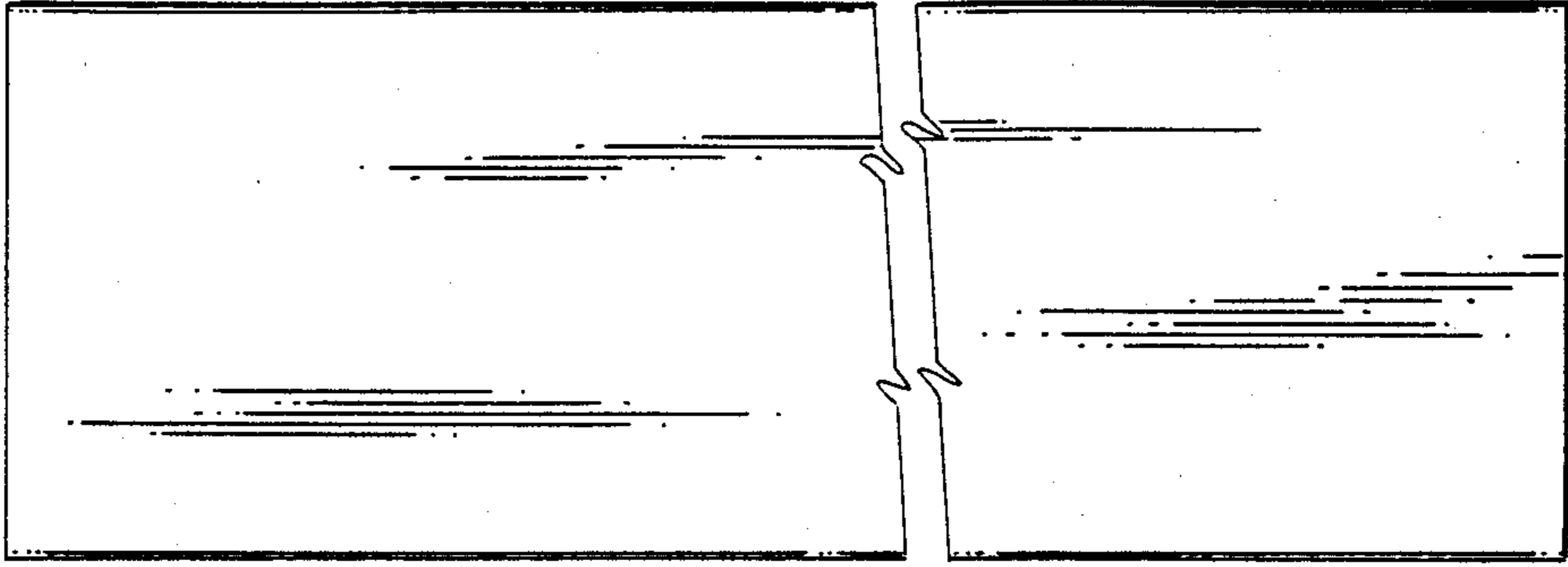


FIG. 16

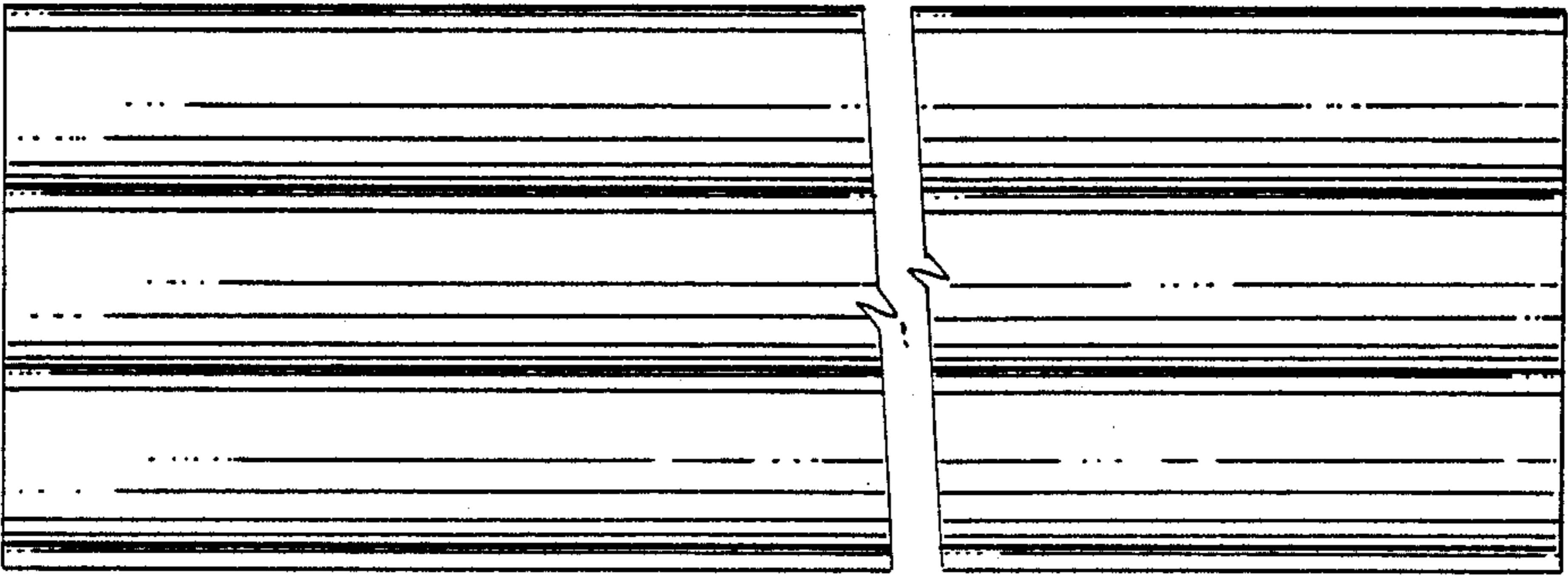


FIG. 15

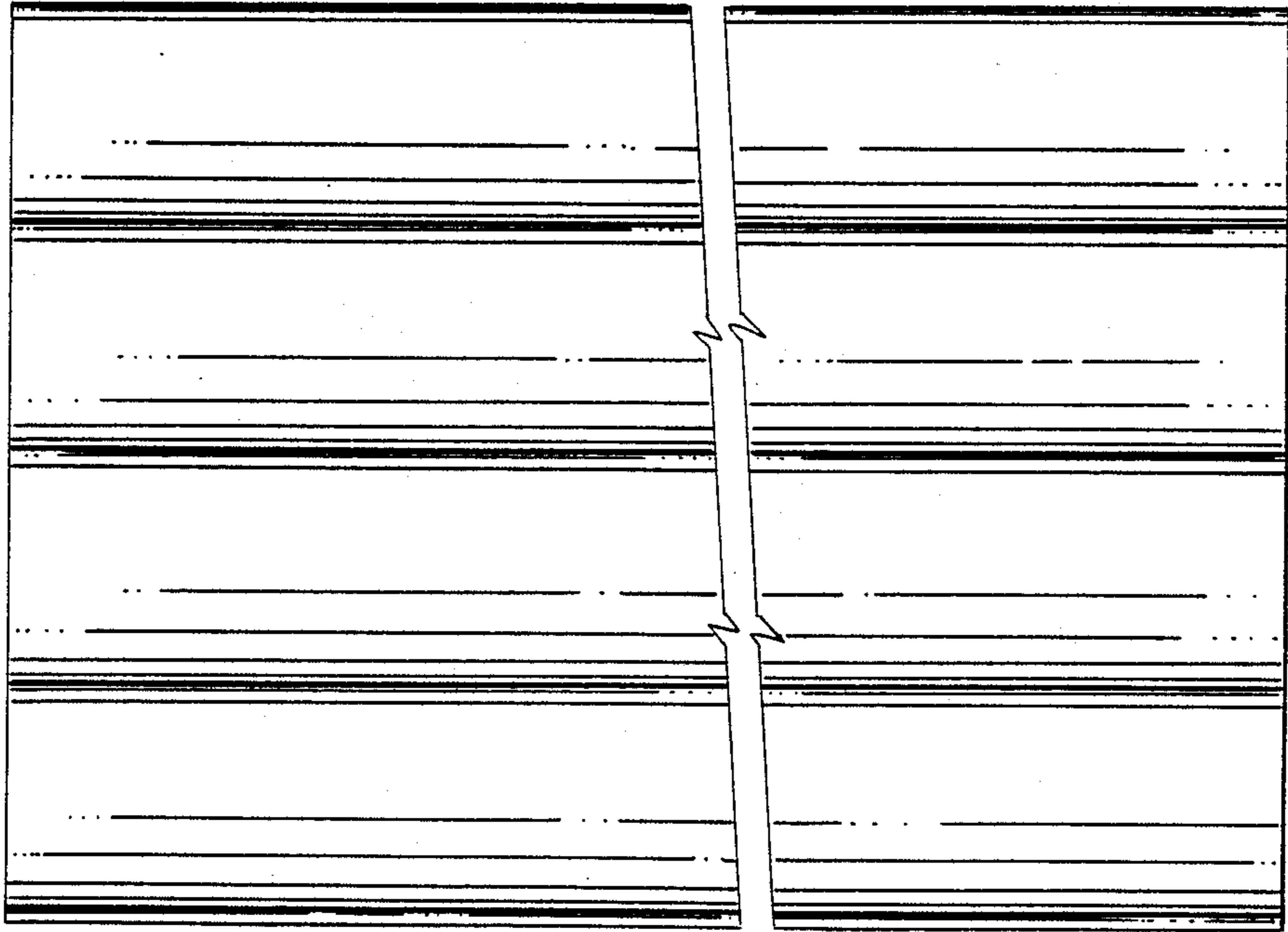


FIG. 14