

[54] DISPLAY FREEZER

D. 286,111 10/1986 Perghak D6/472

[76] Inventor: Allan H. Barish, 7 Vanwood Road,
Thornhill, Ontario, Canada, L3T
2N1

Primary Examiner—Carmen H. Vales-Lado
Attorney, Agent, or Firm—Bauer & Schaffer

[**] Term: 14 Years

[57] CLAIM

The ornamental design for display freezer, as shown
and described.

[21] Appl. No.: 91,210

[22] Filed: Aug. 31, 1987

DESCRIPTION

[52] U.S. Cl. D15/83; D6/472

FIG. 1 is a perspective view of a display freezer show-
ing my new design;

[58] Field of Search D6/470, 471, 472;
D15/79, 81, 83; 312/114, 204

FIG. 2 is a front elevational view thereof;

FIG. 3 is a rear elevational view thereof;

FIG. 4 is a left side elevational view thereof;

FIG. 5 is a right side elevational view thereof;

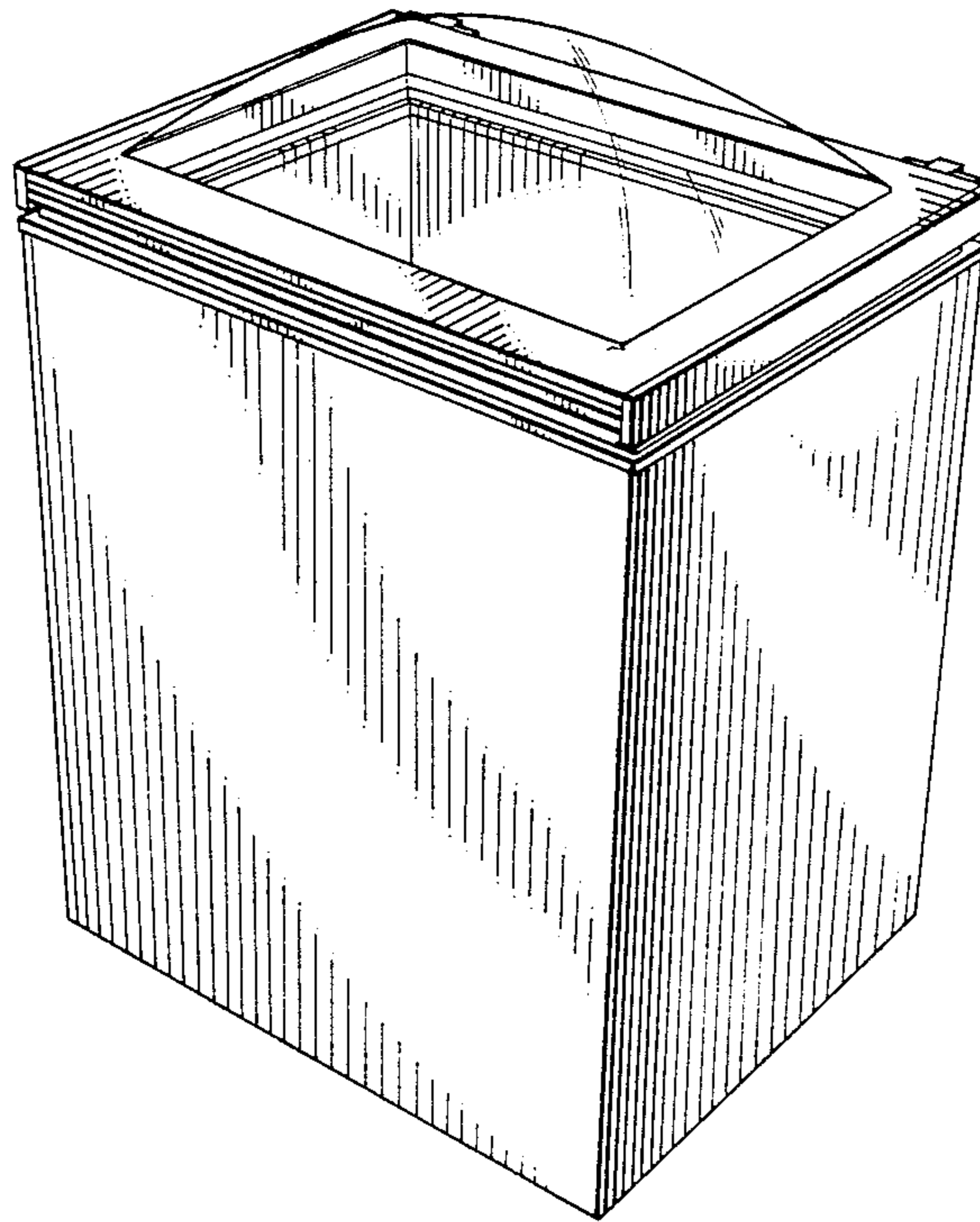
FIG. 6 is a top plan view thereof; and

FIG. 7 is a bottom plan view thereof.

[56] References Cited

U.S. PATENT DOCUMENTS

- D. 181,258 10/1957 Kuhn D6/436
- D. 229,101 11/1973 Corini D14/83



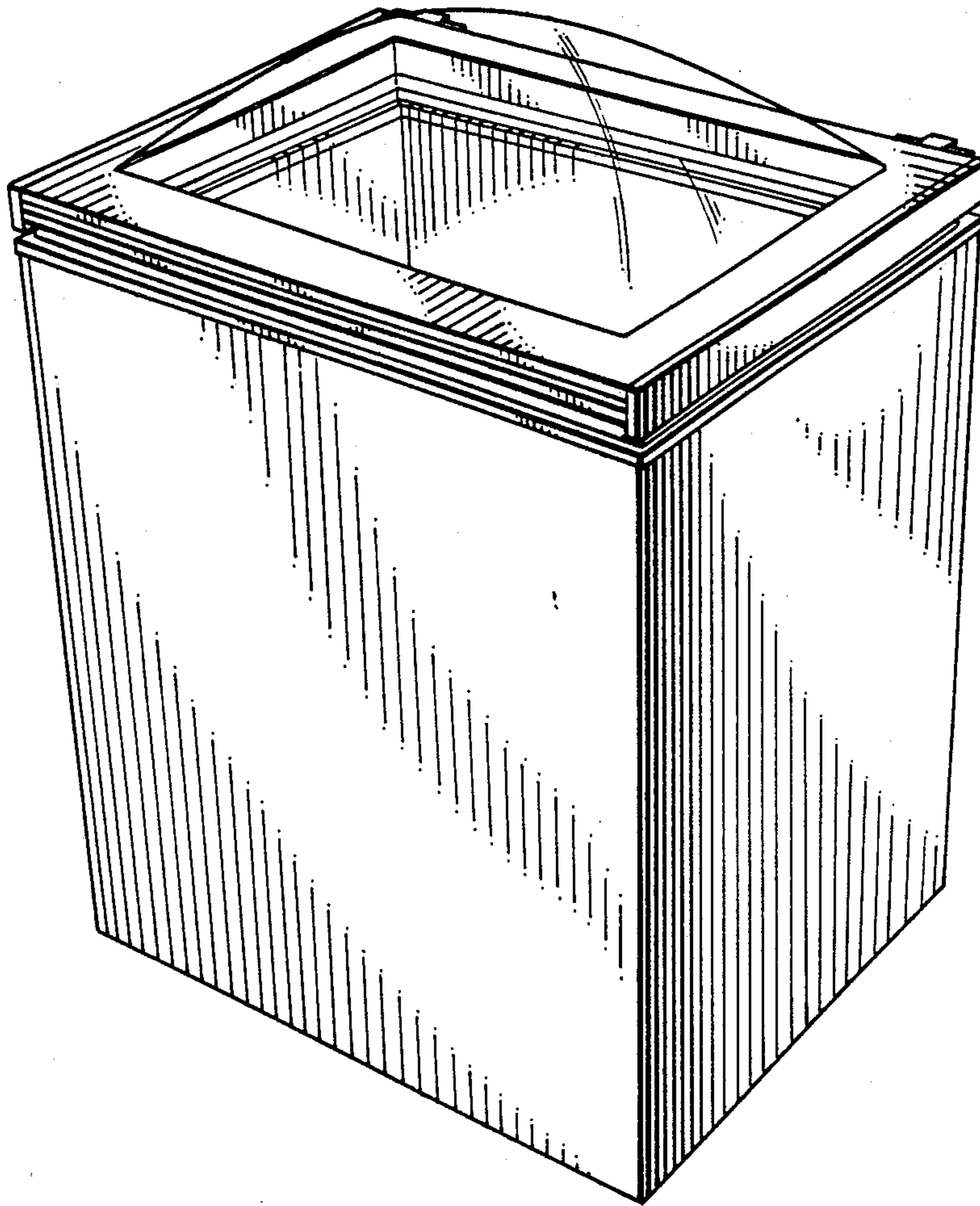


FIG. 1

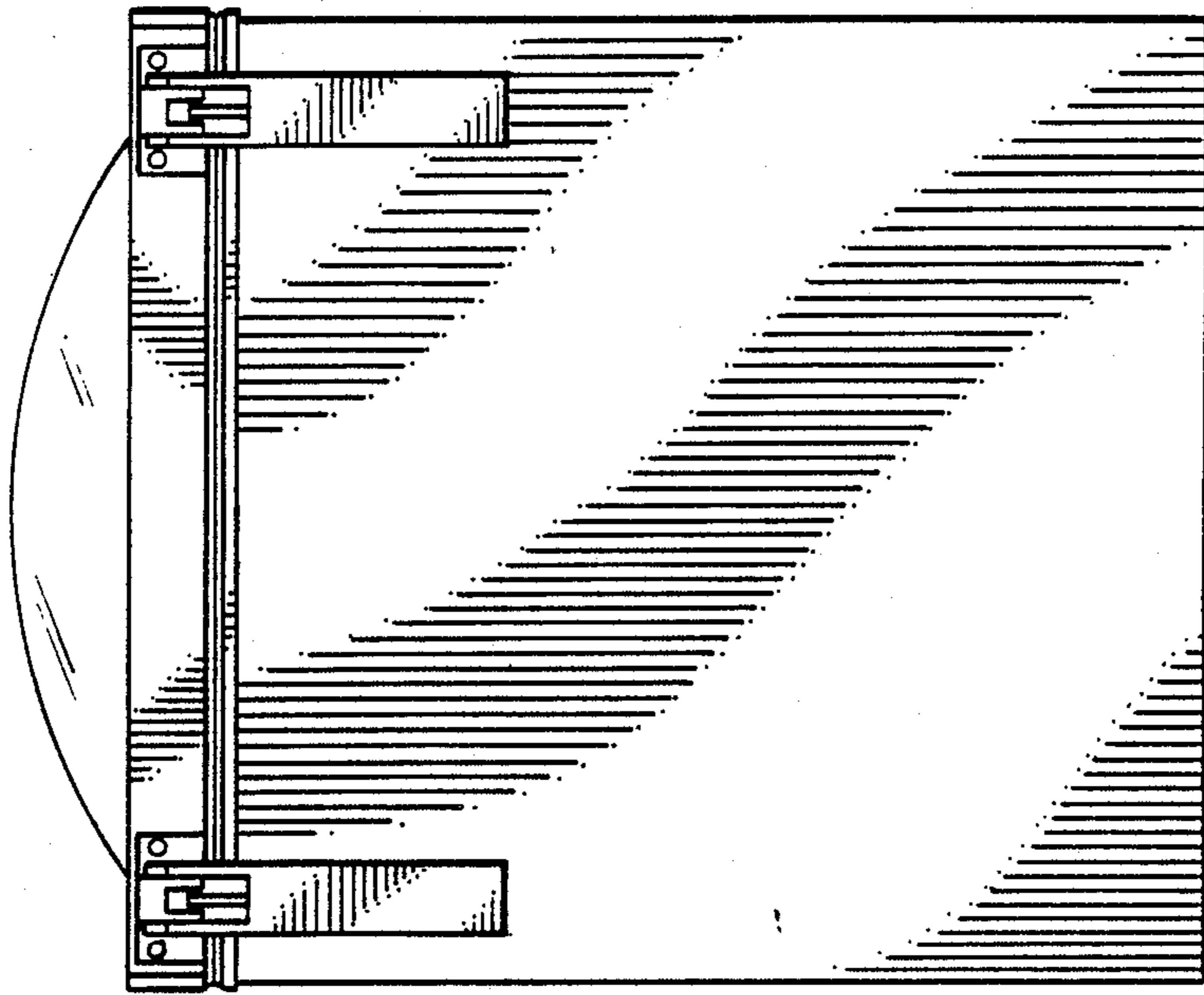


FIG. 3

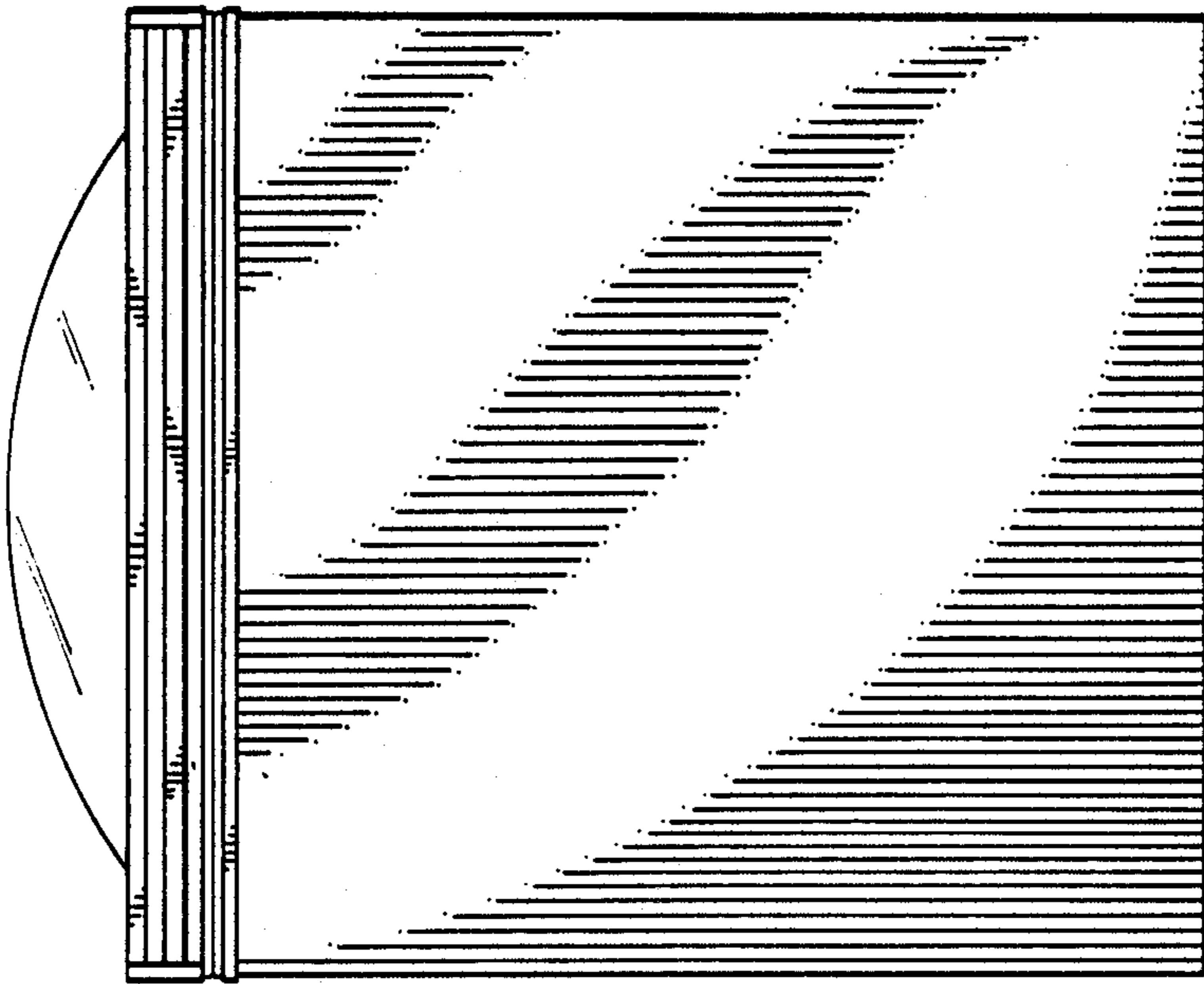


FIG. 2

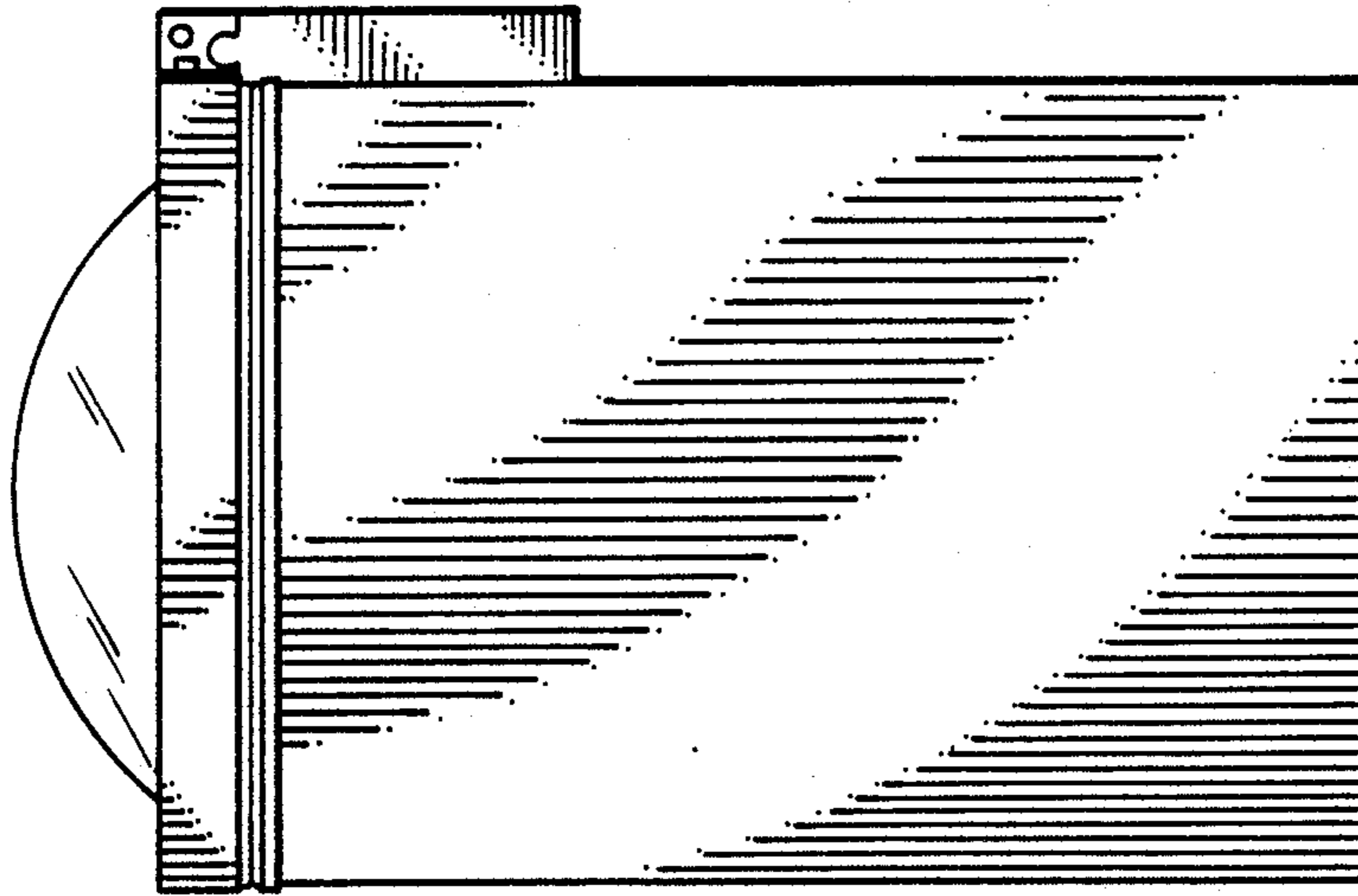


FIG. 5

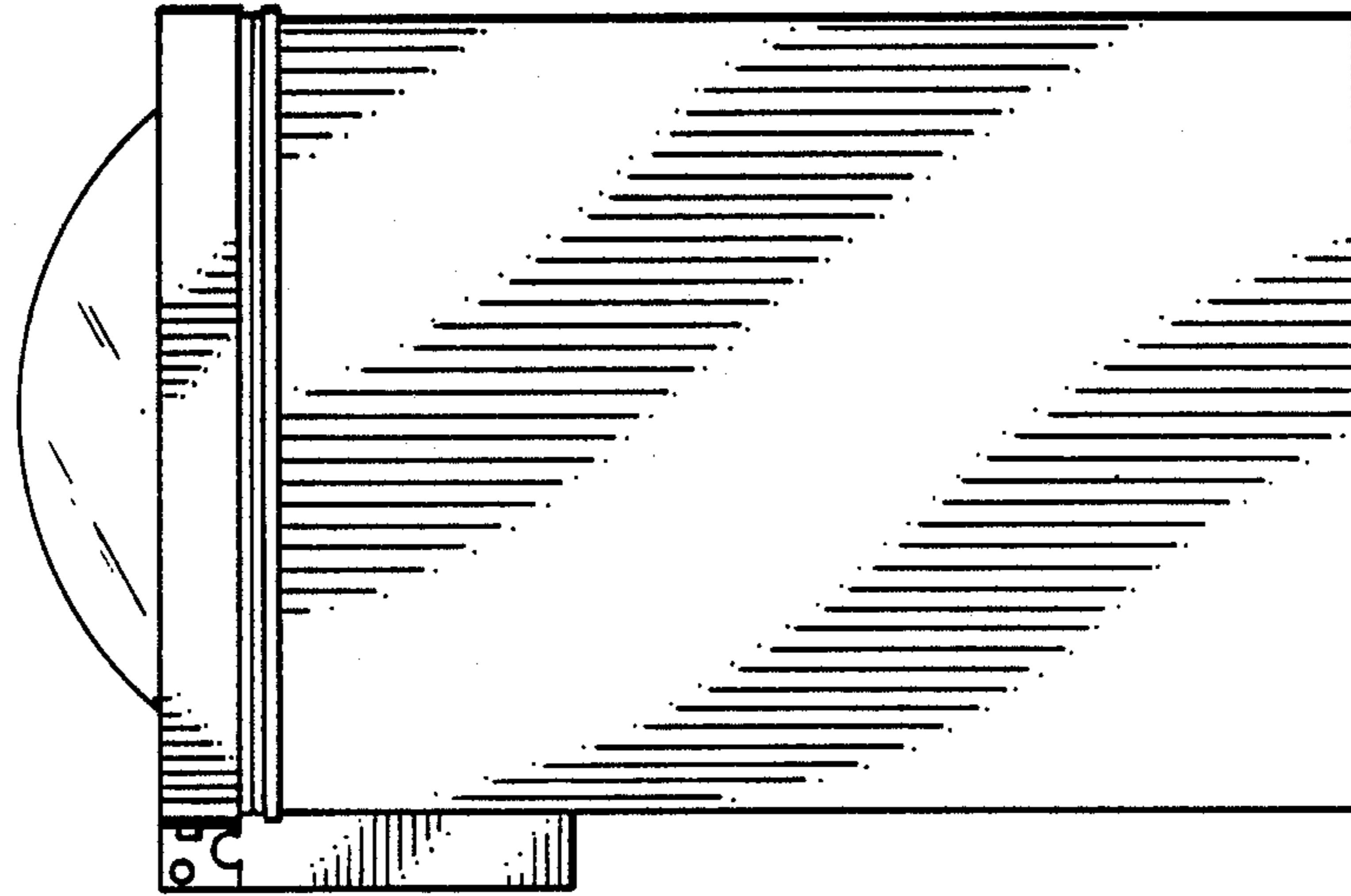


FIG. 4

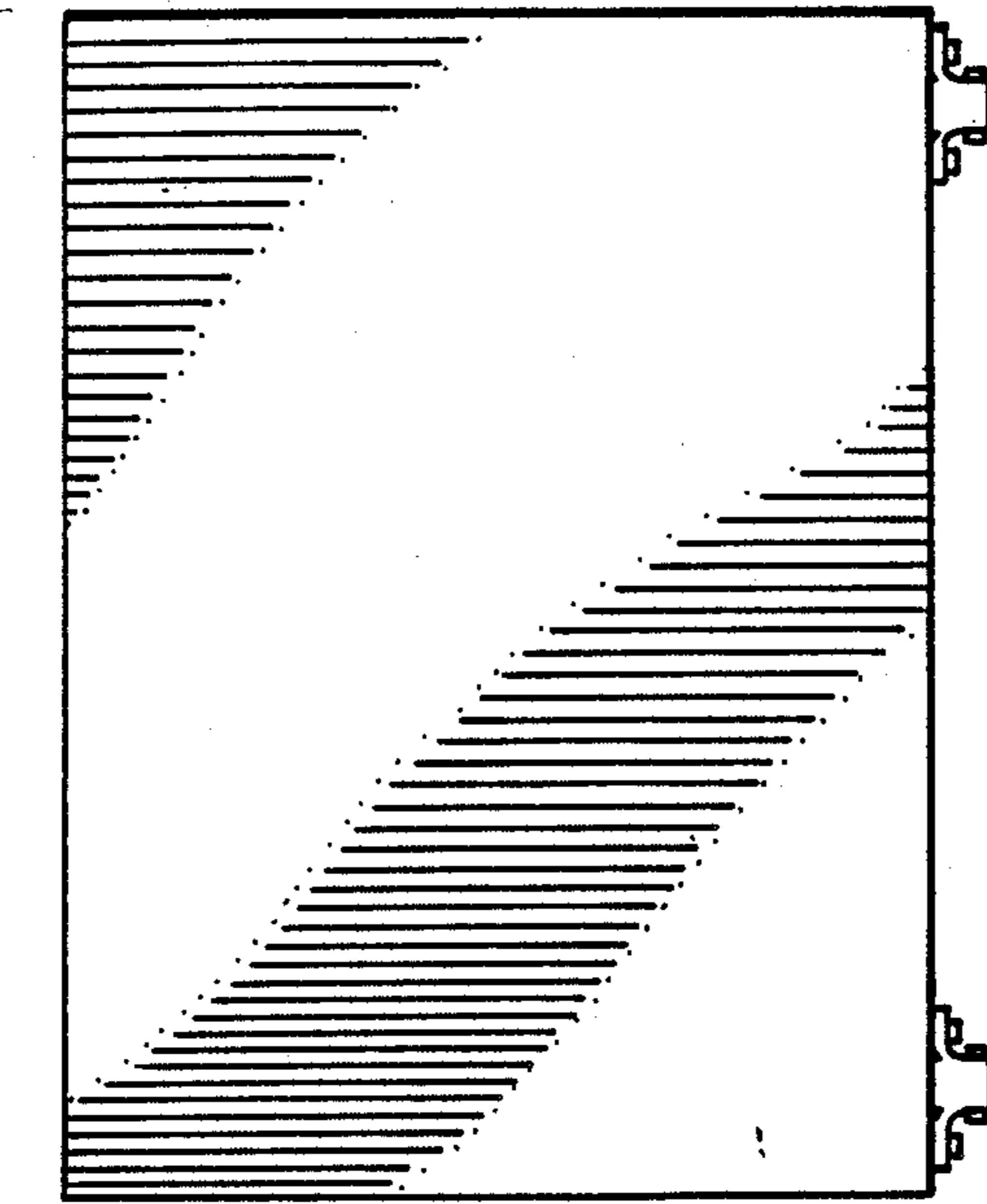


FIG. 7

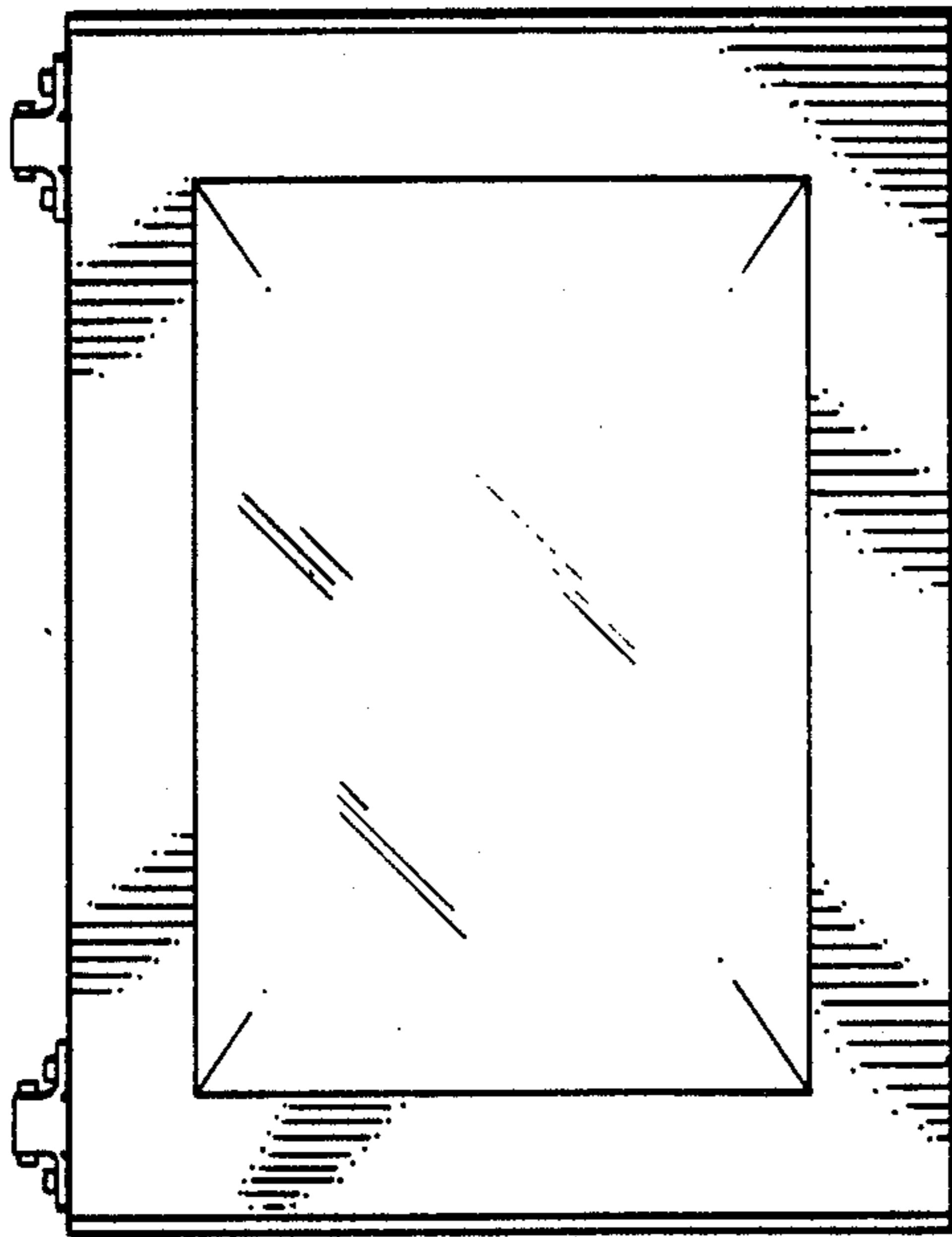


FIG. 6