

[54] **SEWING MACHINE**

D. 278,823 5/1985 Yoneda D15/69
D. 292,928 11/1987 Lo D15/69
D. 298,044 10/1988 Sekiguchi D15/69

[75] **Inventors: Kazuo Itoh, Aichi; Yasuyo Isaji, Nagoya, both of Japan**

Primary Examiner—A. Hugo Word
Assistant Examiner—Ruth McInroy
Attorney, Agent, or Firm—Moonray Kojima

[73] **Assignee: Brother Kogyo Kabushiki Kaisha, Nagoya, Japan**

[**] **Term: 14 Years**

[57] **CLAIM**

[21] **Appl. No.: 139,038**

The ornamental design for a sewing machine, as shown and described.

[22] **Filed: Dec. 28, 1987**

[30] **Foreign Application Priority Data**

DESCRIPTION

May 15, 1987 [JP] Japan 62-19304

FIG. 1 is a front elevational view of a sewing machine, showing our new design;

[52] **U.S. Cl. D15/69**

FIG. 2 is a rear elevational view thereof;

[58] **Field of Search D15/66, 68-69, D15/72-73, 76, 78; 112/63, 258-261**

FIG. 3 is a left side elevational view thereof;

FIG. 4 is a right side elevational view thereof;

[56] **References Cited**

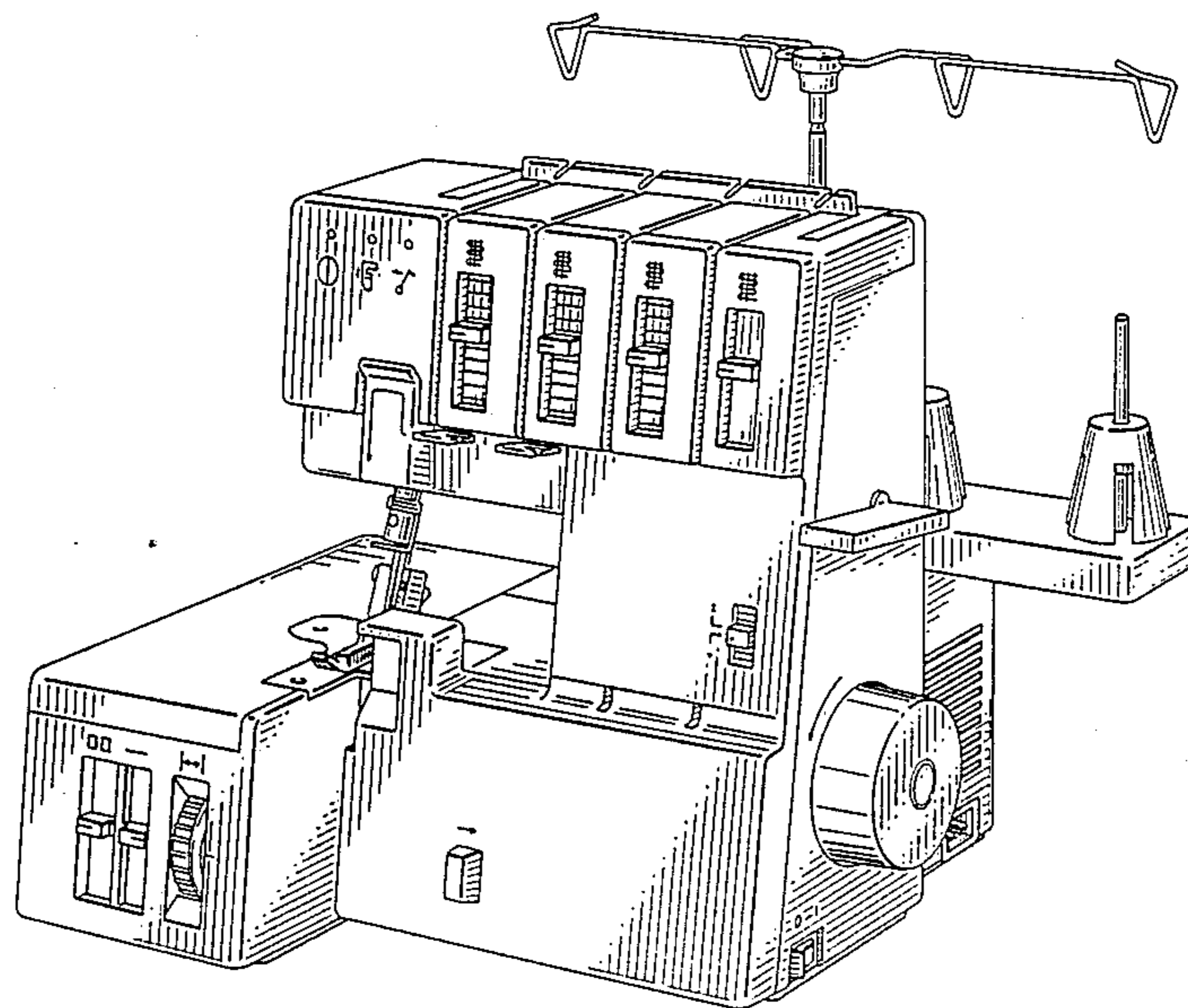
FIG. 5 is a top plan view thereof;

U.S. PATENT DOCUMENTS

FIG. 6 is a bottom plan view thereof;

D. 267,881 9/1983 Current D15/68

FIG. 7 is a front, top and right side perspective view thereof.



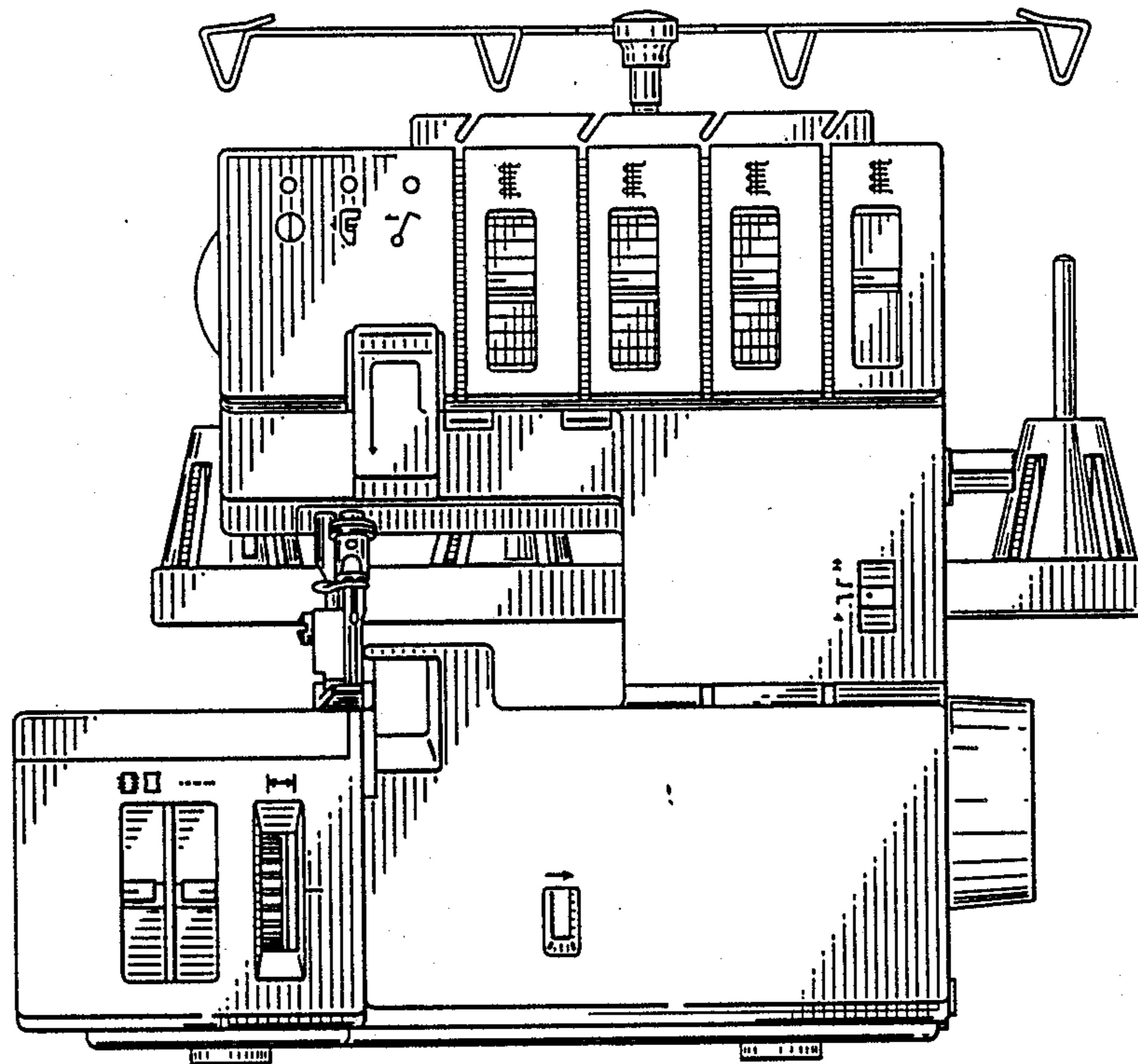


FIG. 1

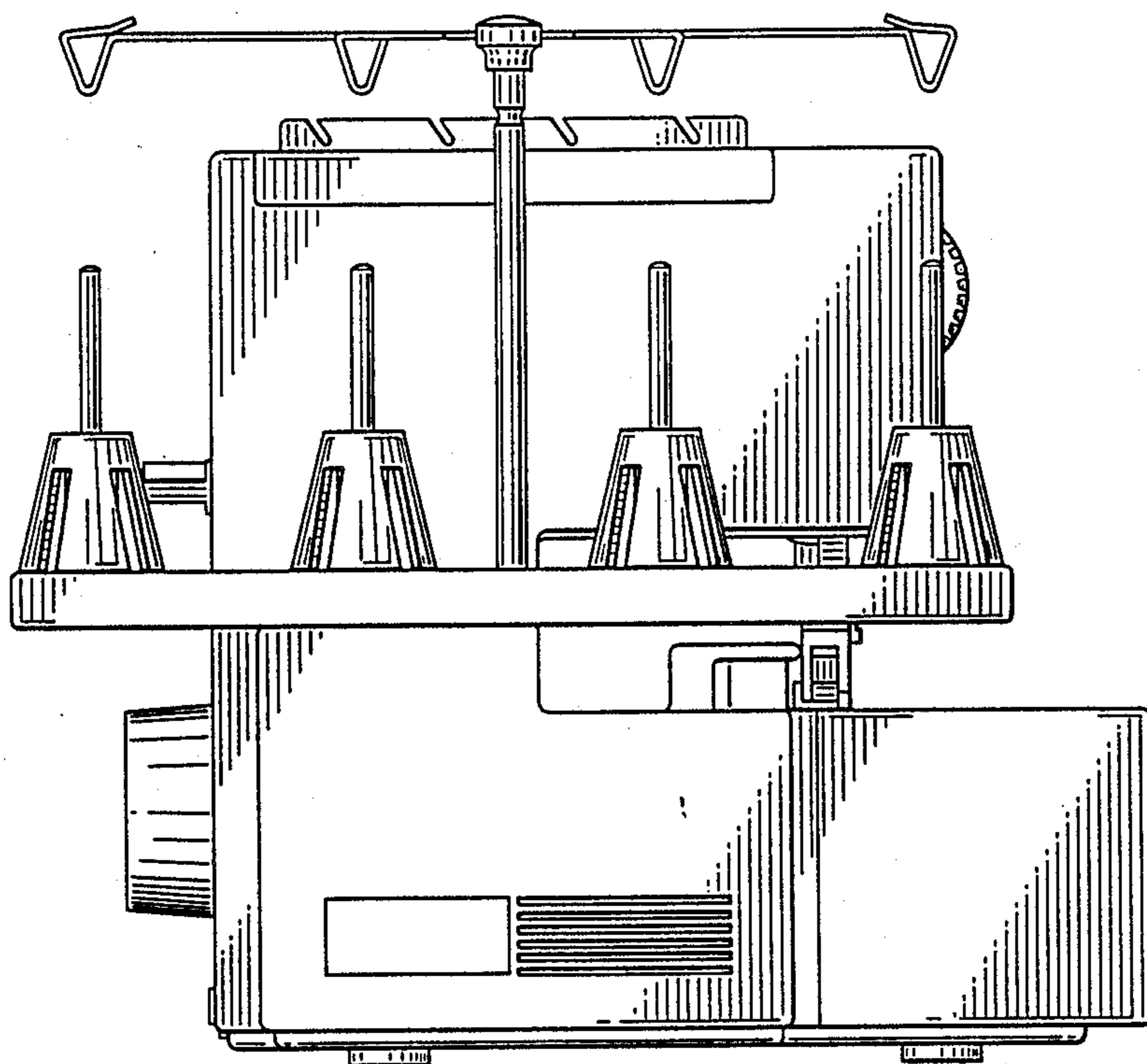


FIG. 2

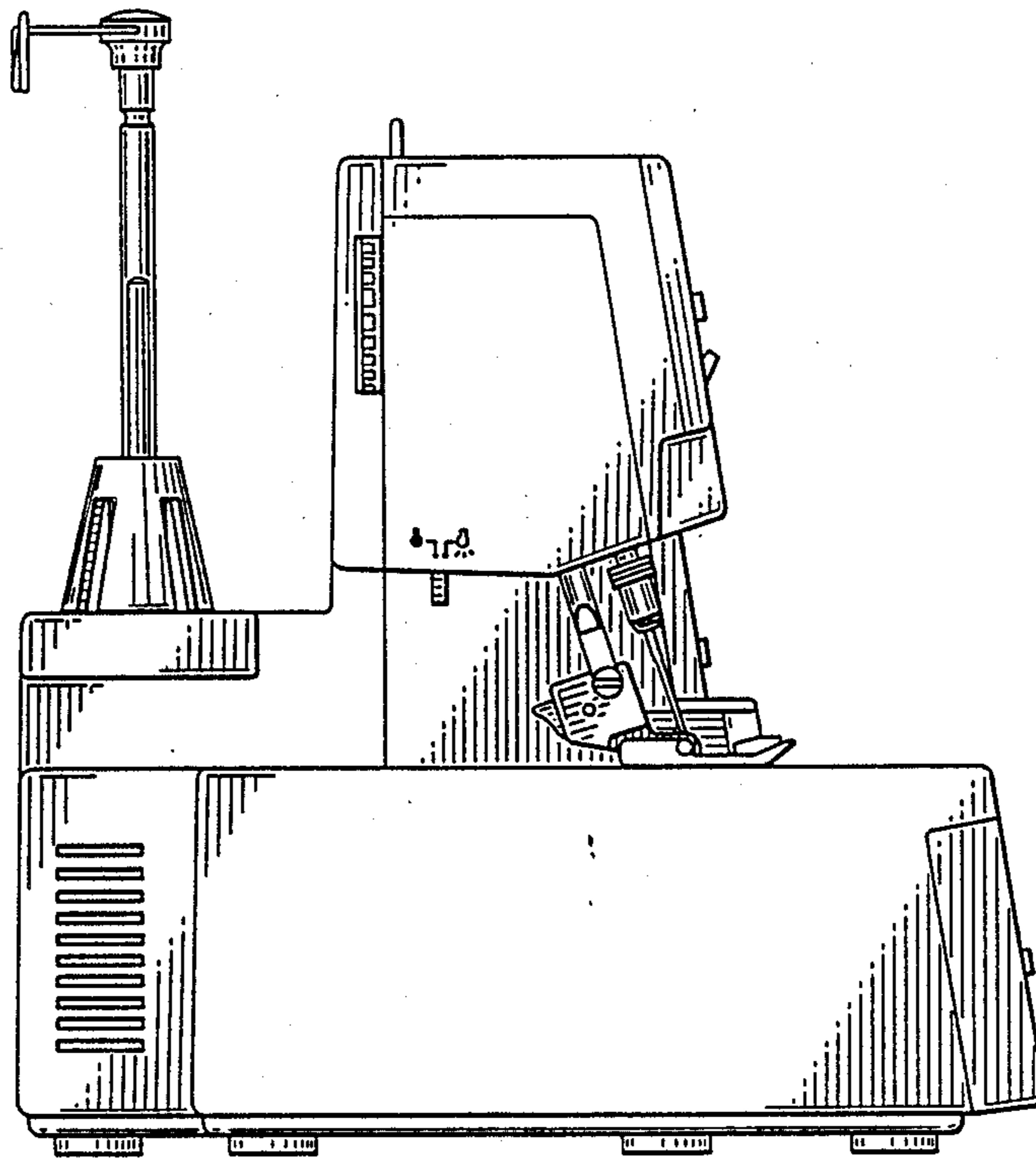


FIG. 3

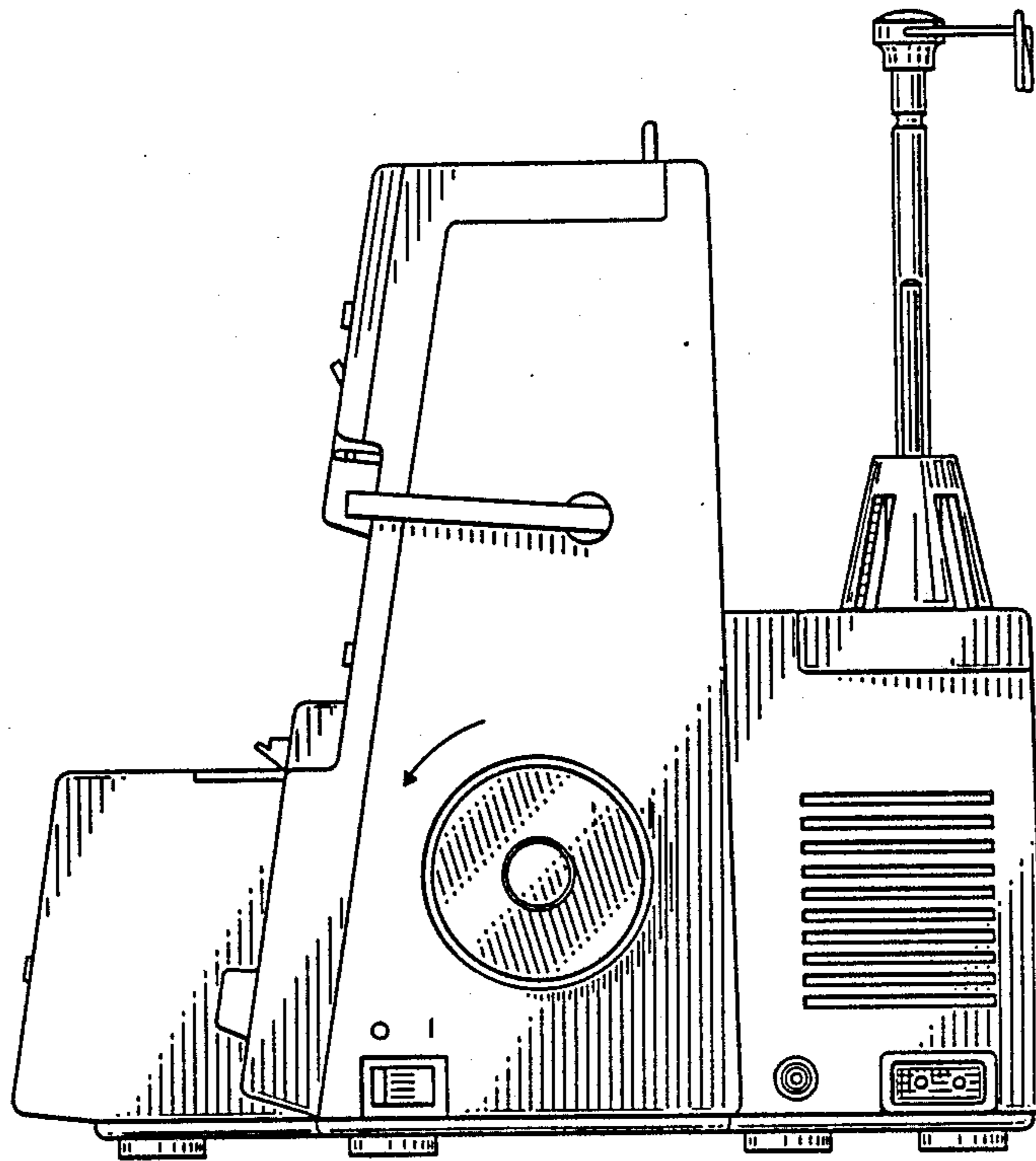


FIG. 4

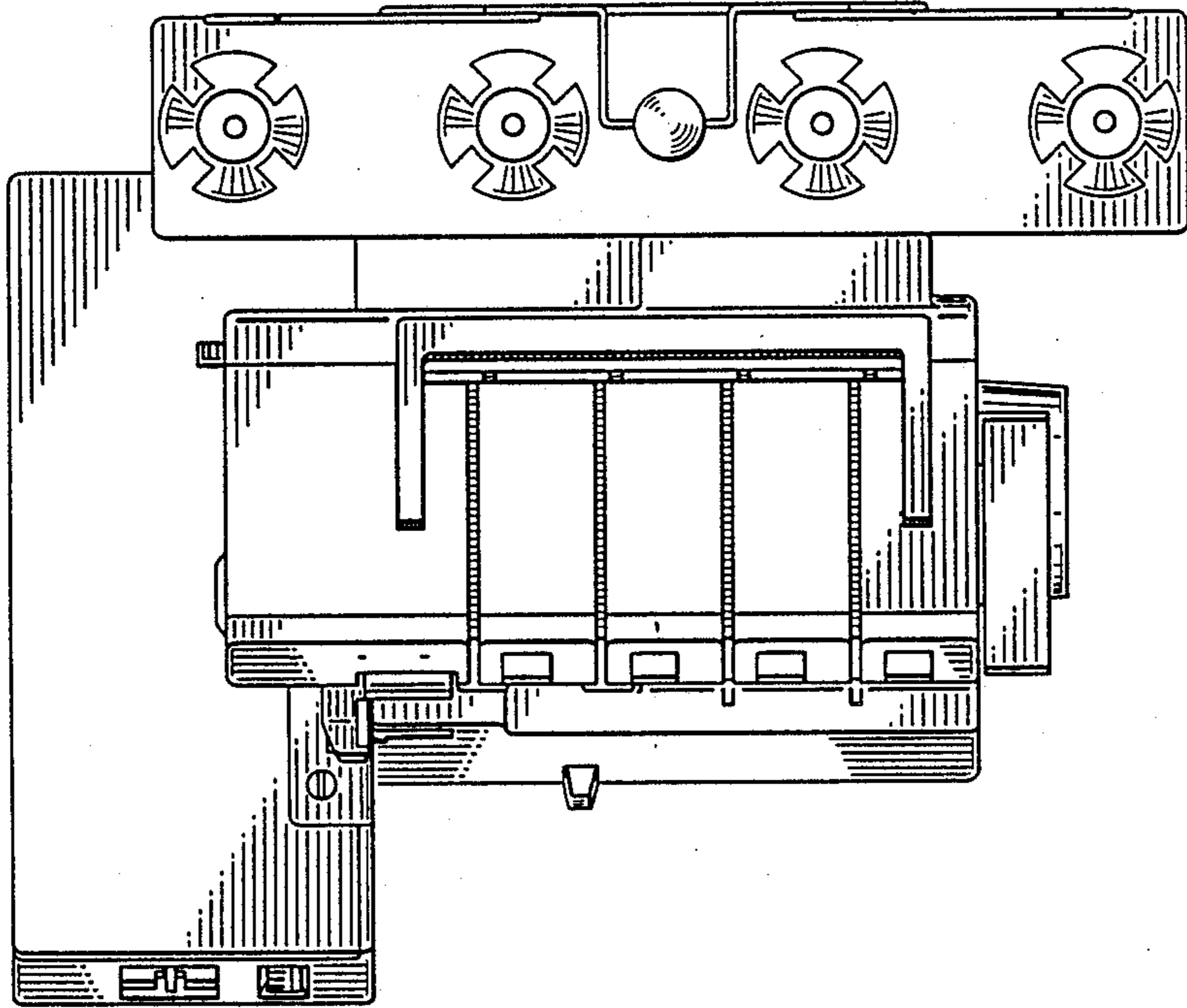


FIG. 5

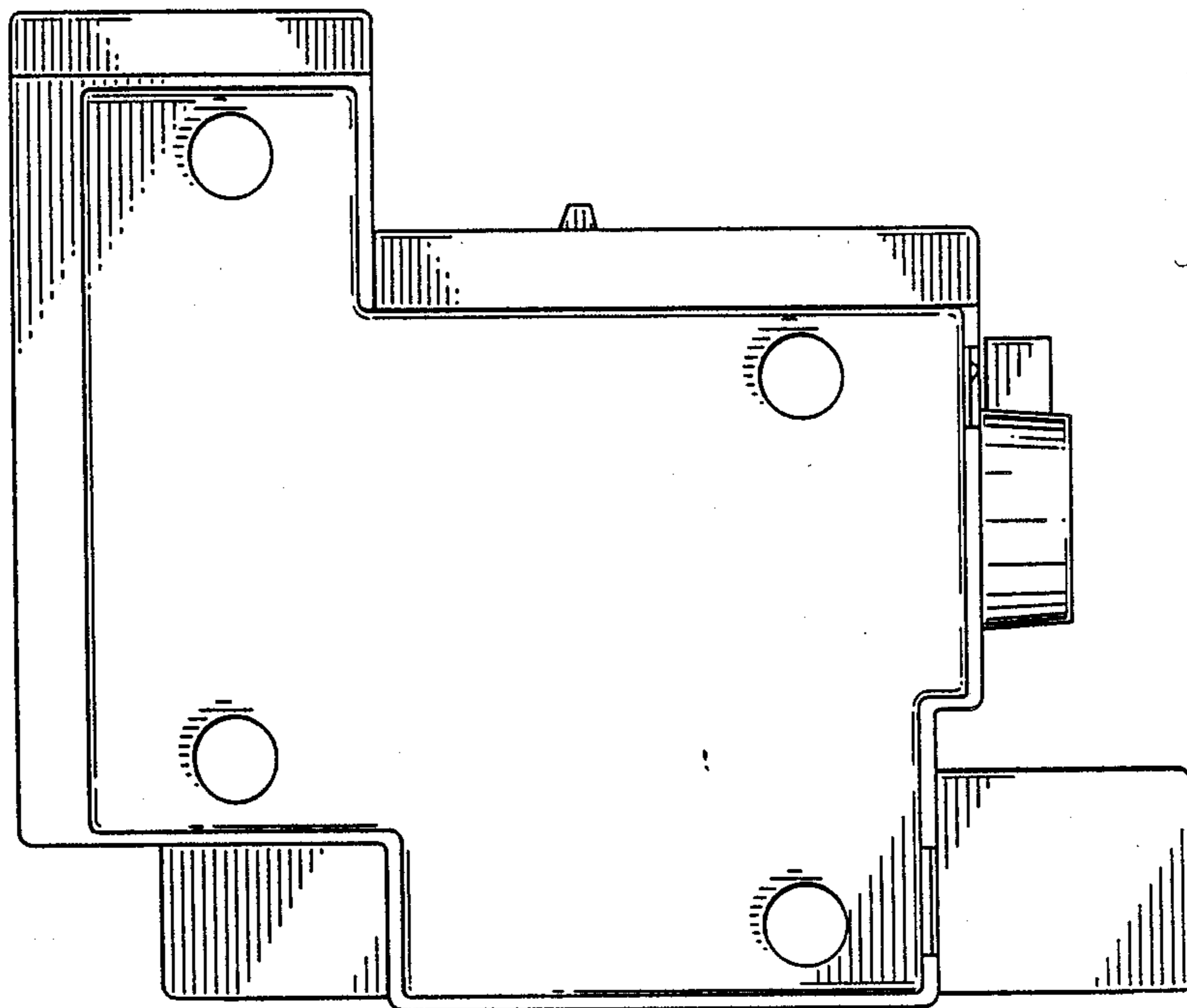


FIG. 6

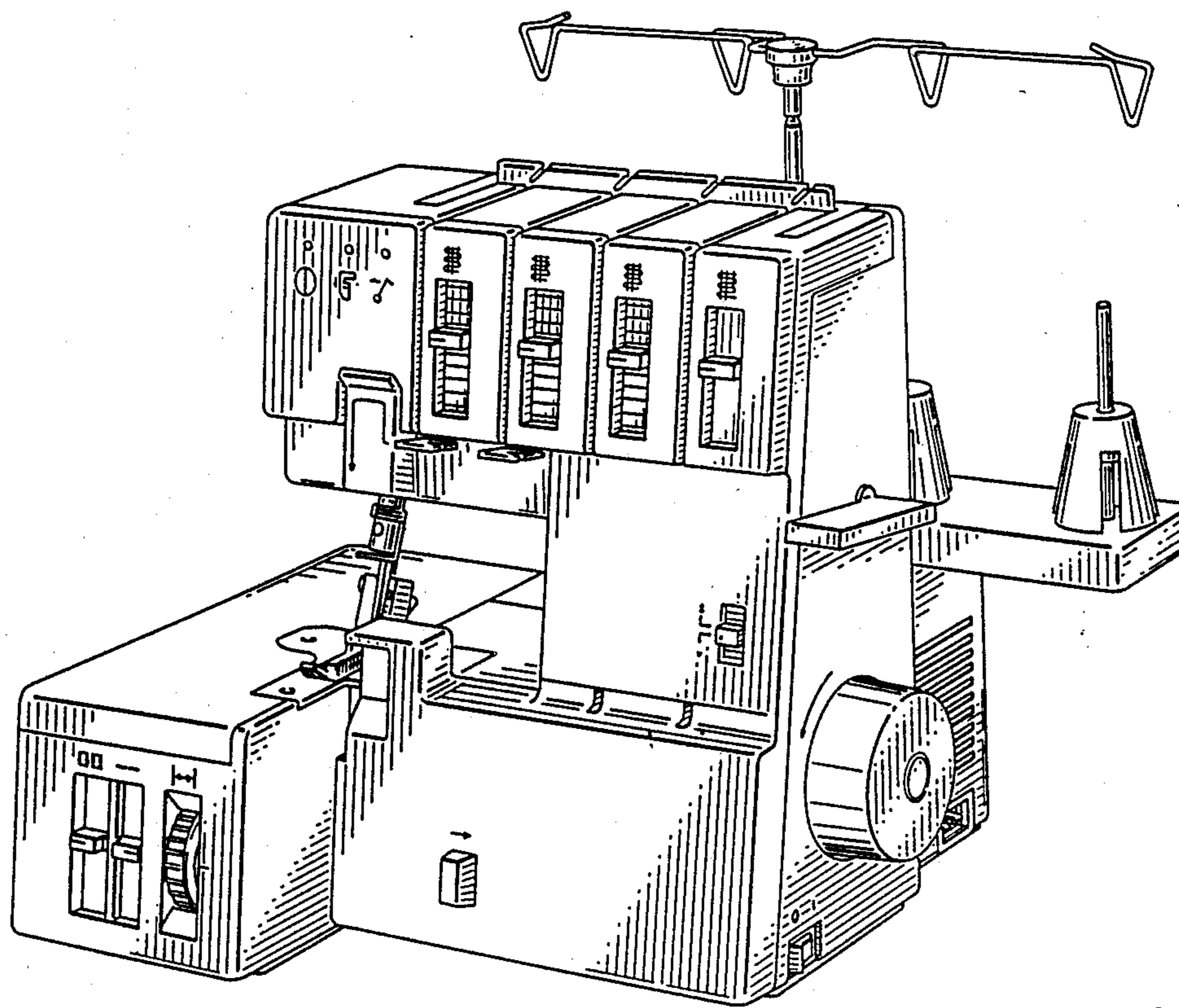


FIG. 7