

[54] SEWING MACHINE

D. 298,044 10/1988 Sekiguchi D15/69

[75] Inventor: Yoshiaki Eguchi, Kodaira, Japan

Primary Examiner—James R. Largen
Assistant Examiner—Ruth Takemoto
Attorney, Agent, or Firm—Michael J. Striker

[73] Assignee: Janome Sewing Machine Co. Ltd.,
Tokyo, Japan

[**] Term: 14 Years

[57] CLAIM

[21] Appl. No.: 885,168

The ornamental design for a sewing machine, as shown
and described.

[22] Filed: Jul. 14, 1986

DESCRIPTION

[52] U.S. Cl. D15/69

[58] Field of Search D15/66, 68-76;
112/63, 258-261

FIG. 1 is a front elevational view of a sewing machine
showing my new design;

FIG. 2 is a rear elevational view thereof;

FIG. 3 is a left side elevational view thereof;

FIG. 4 is a right side elevational view thereof;

FIG. 5 is a top plan view thereof; and

FIG. 6 is a bottom plan view thereof.

FIG. 7 is a top, front and right side perspective view
thereof.

[56] References Cited

U.S. PATENT DOCUMENTS

- D. 267,881 2/1983 Current D15/68
- D. 278,823 5/1985 Yoneda D15/69
- D. 292,928 11/1987 Lo D15/69

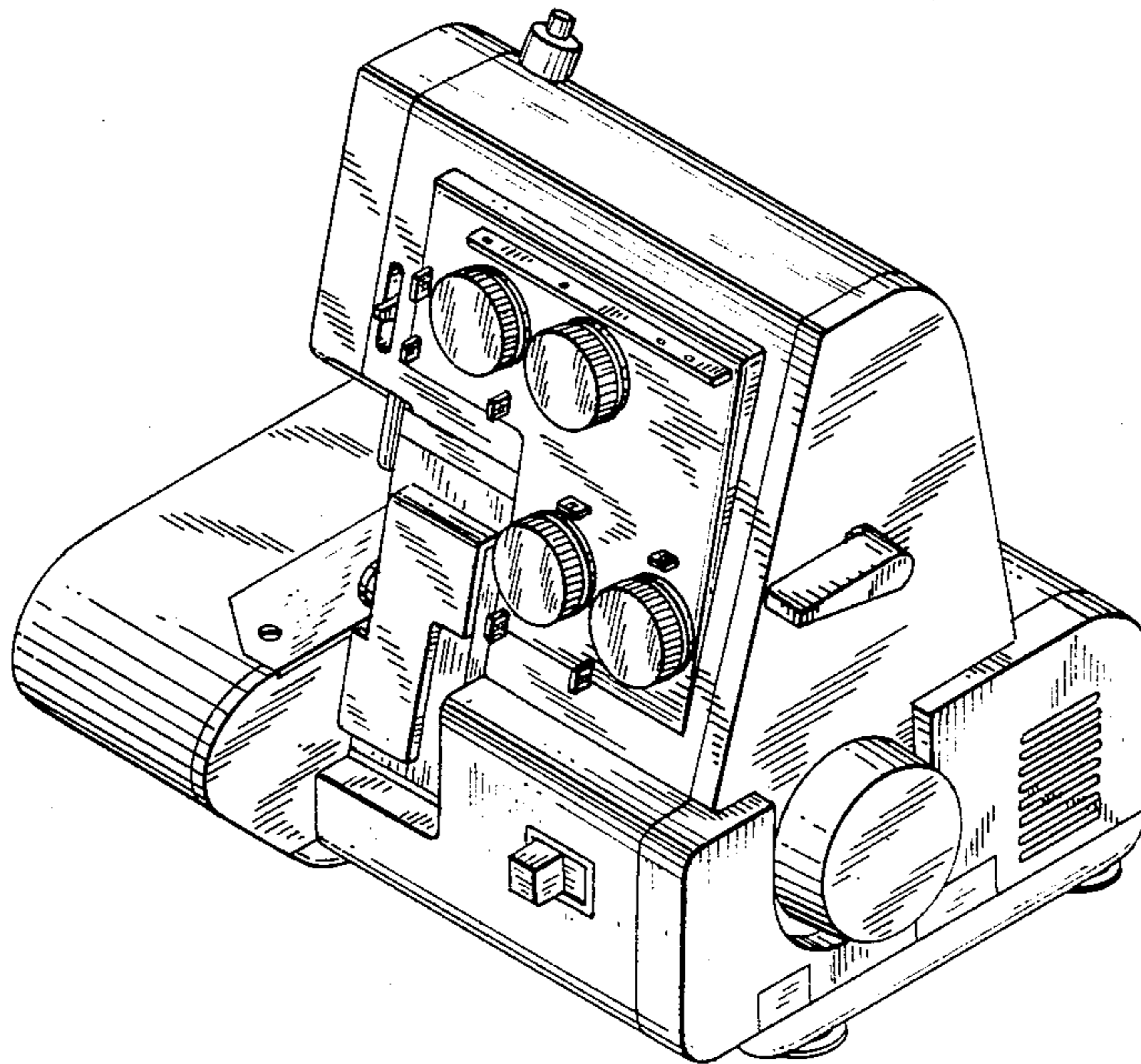


FIG 1

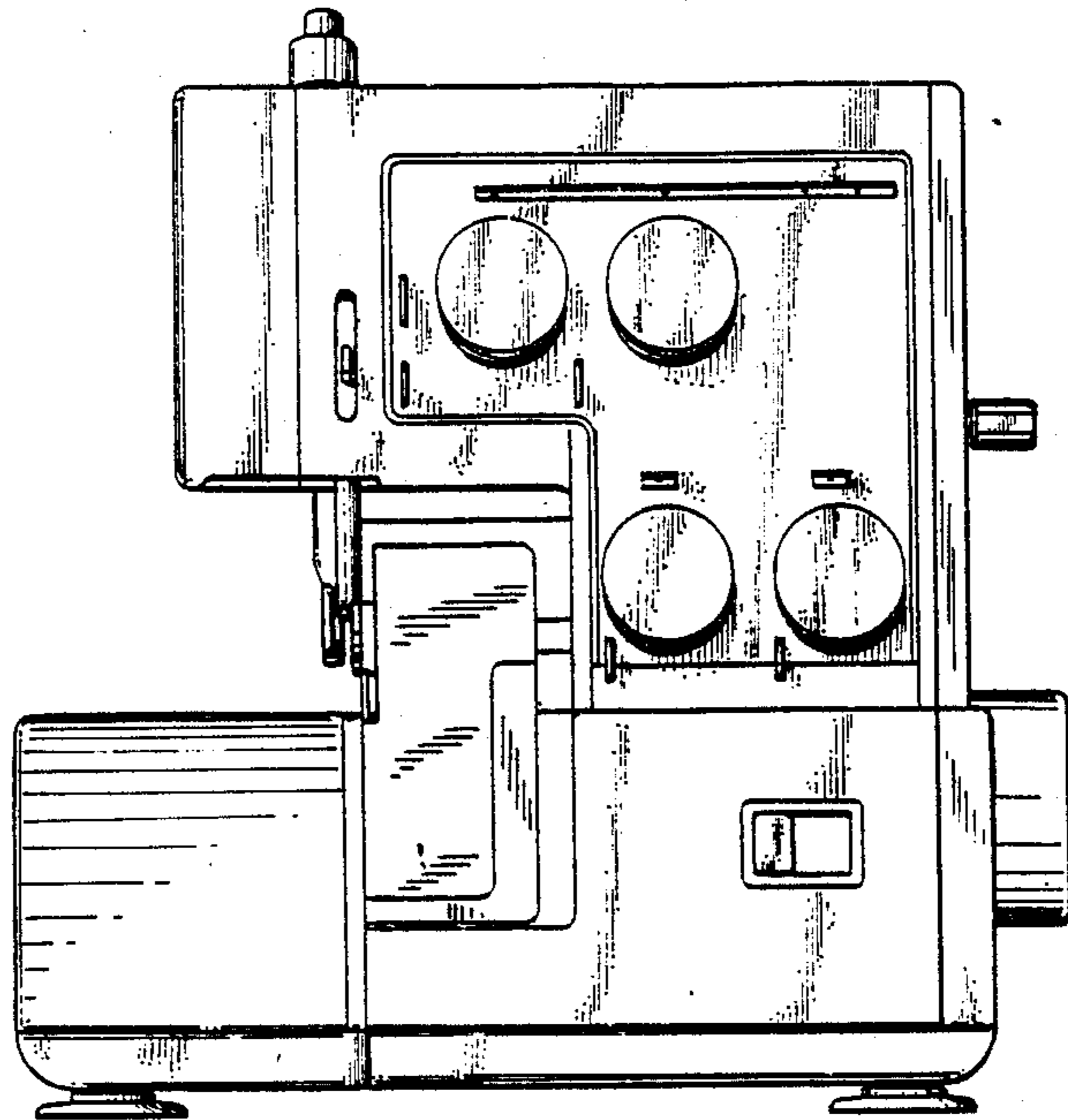


FIG 5

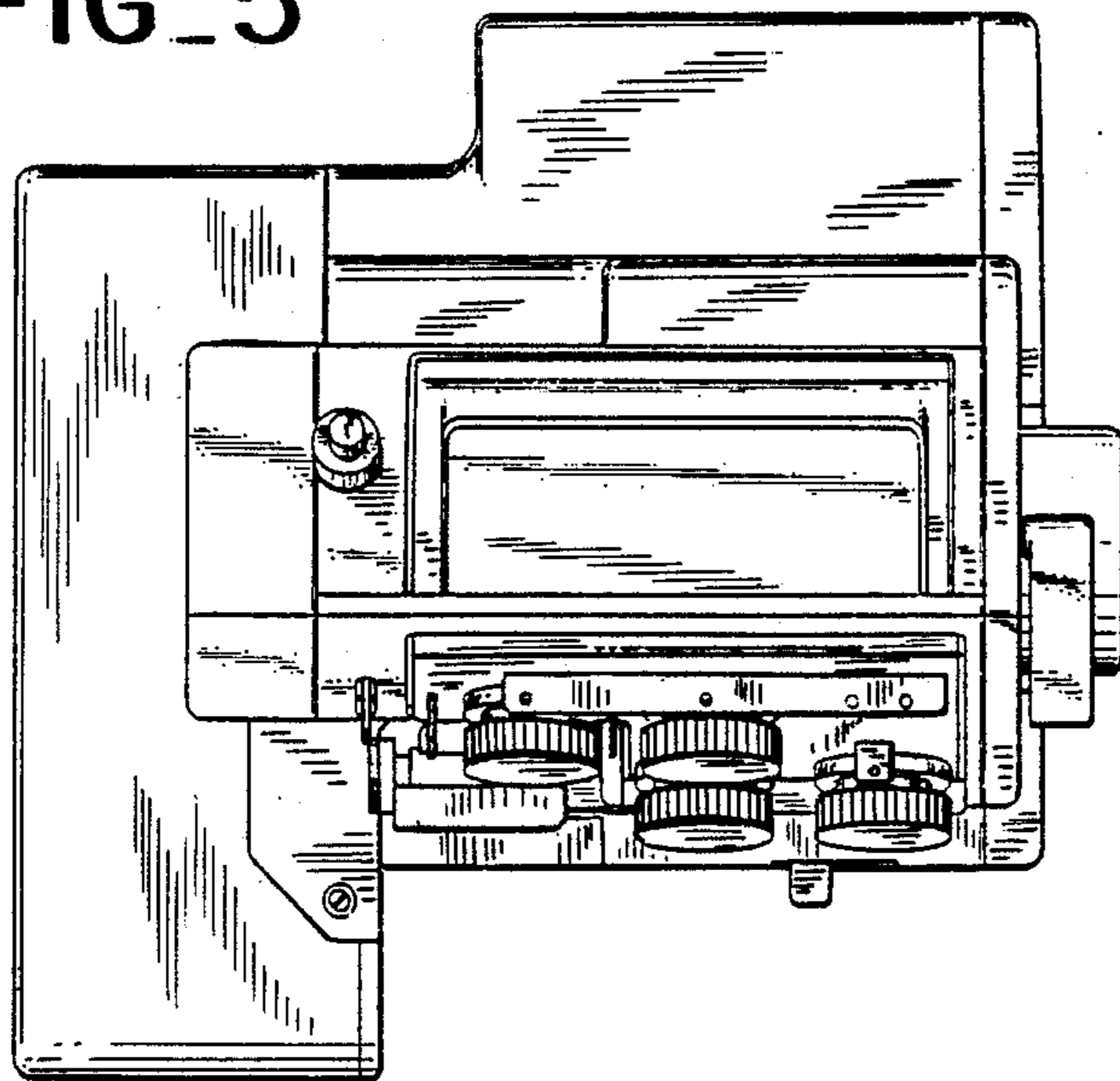


FIG. 2

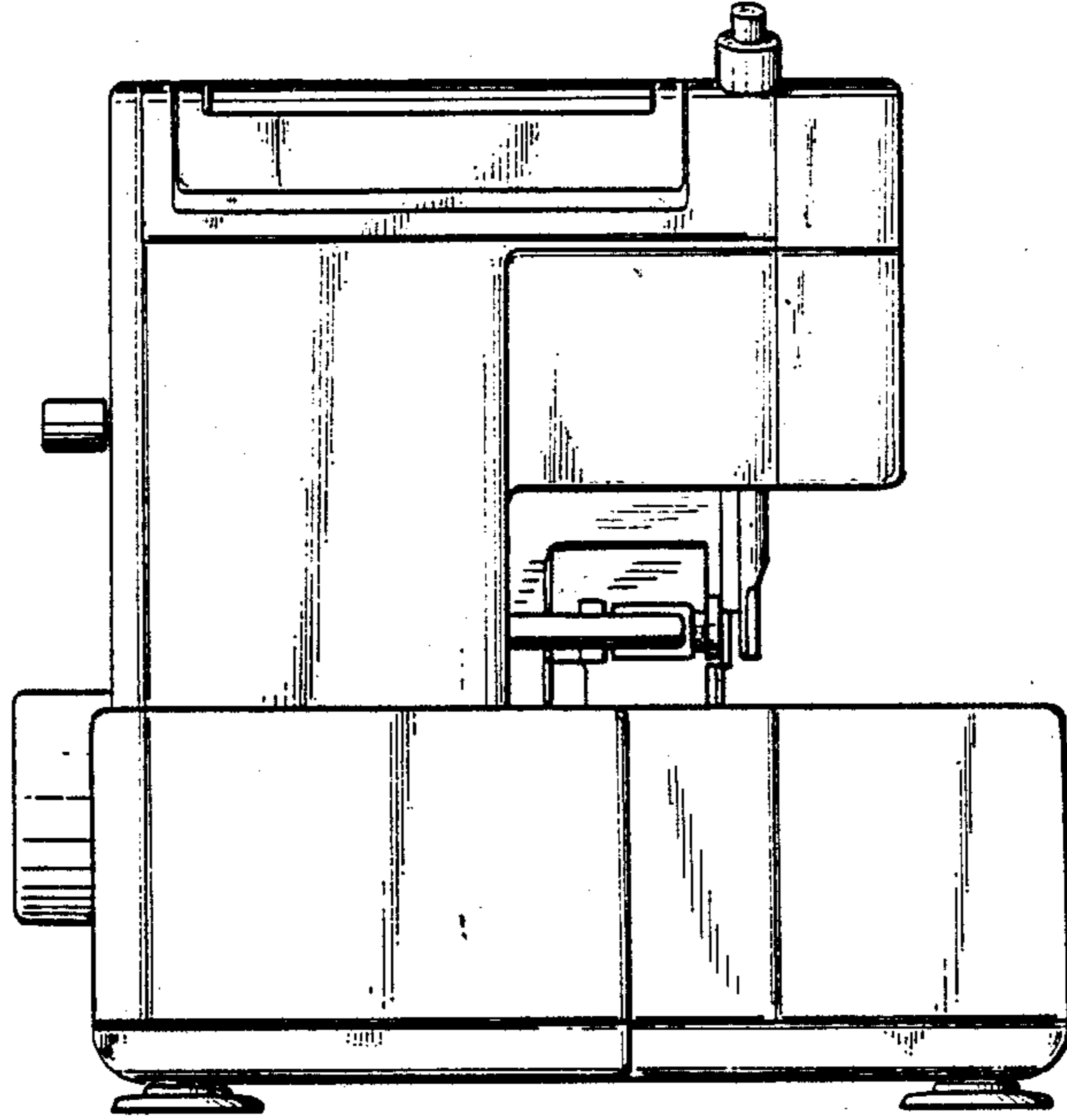


FIG. 6

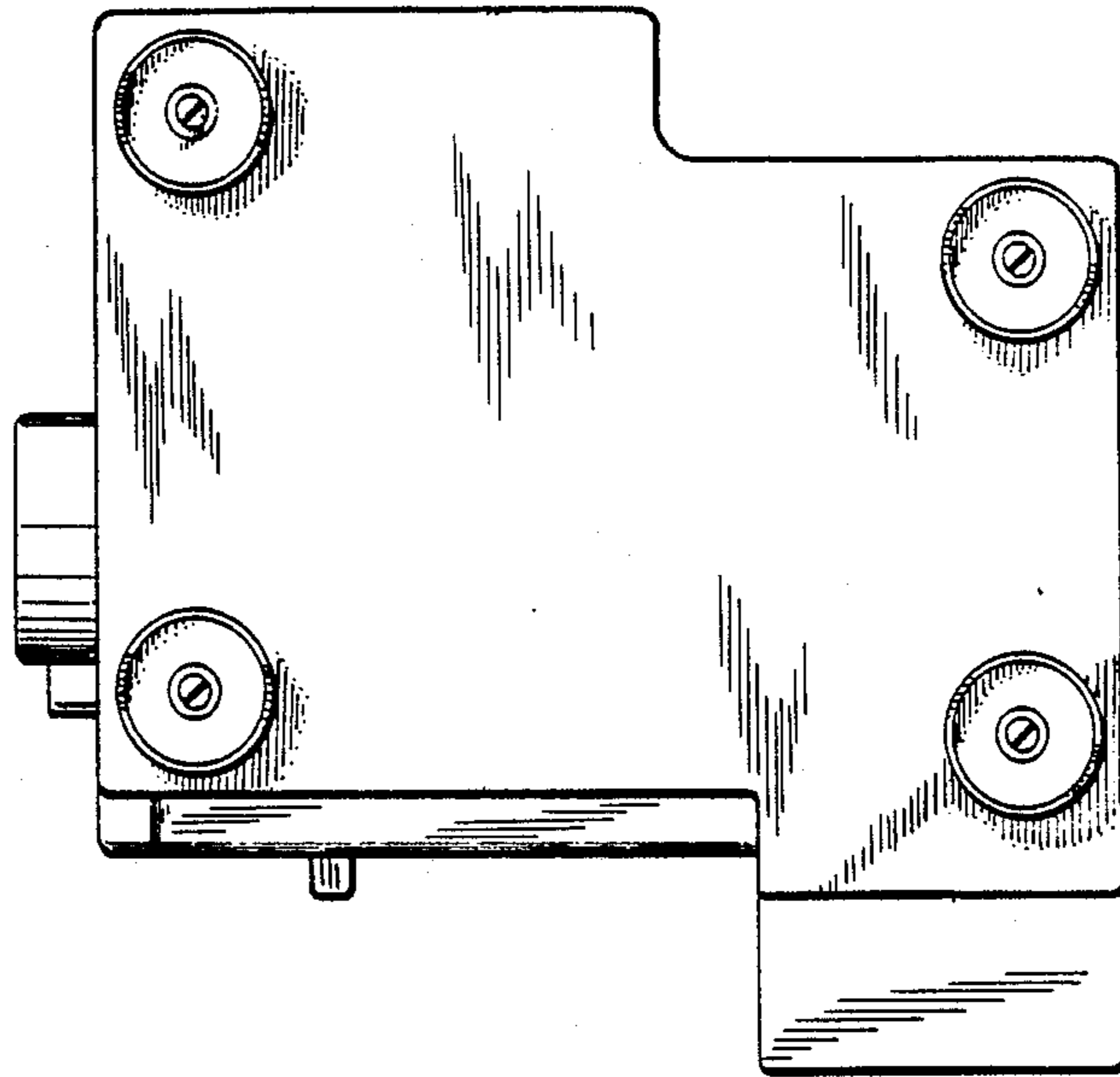


FIG. 3

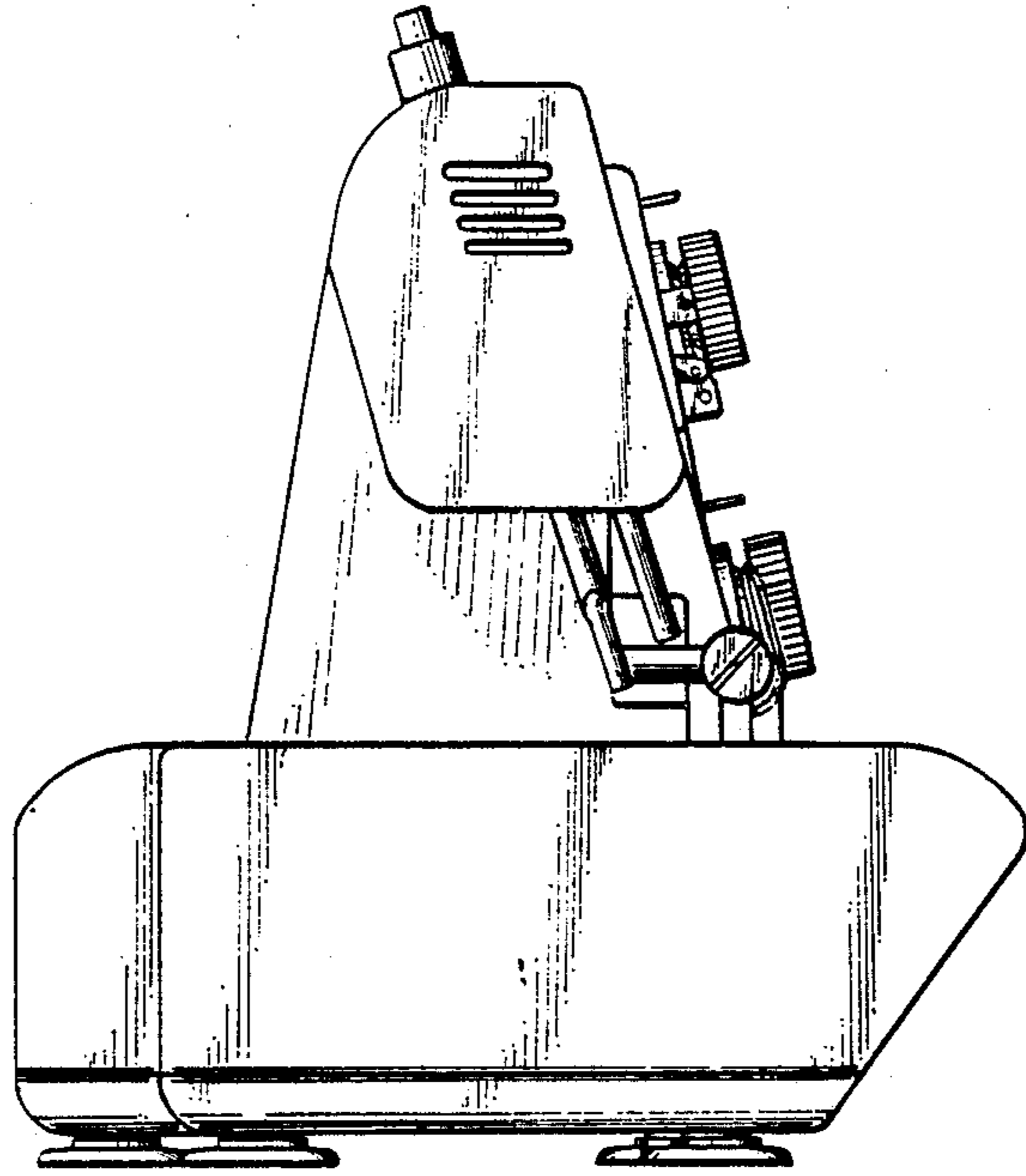


FIG. 4

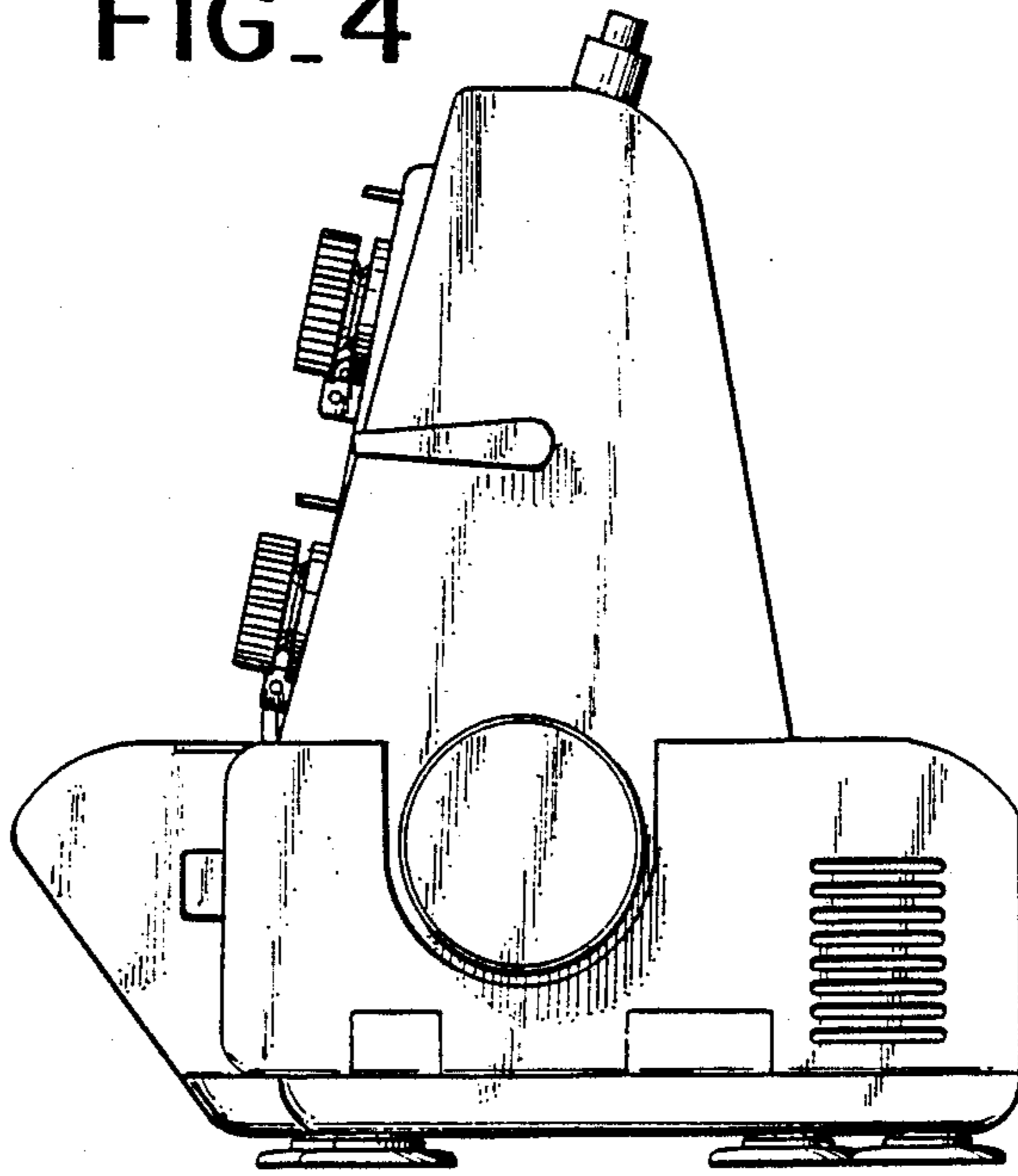


FIG. 7

